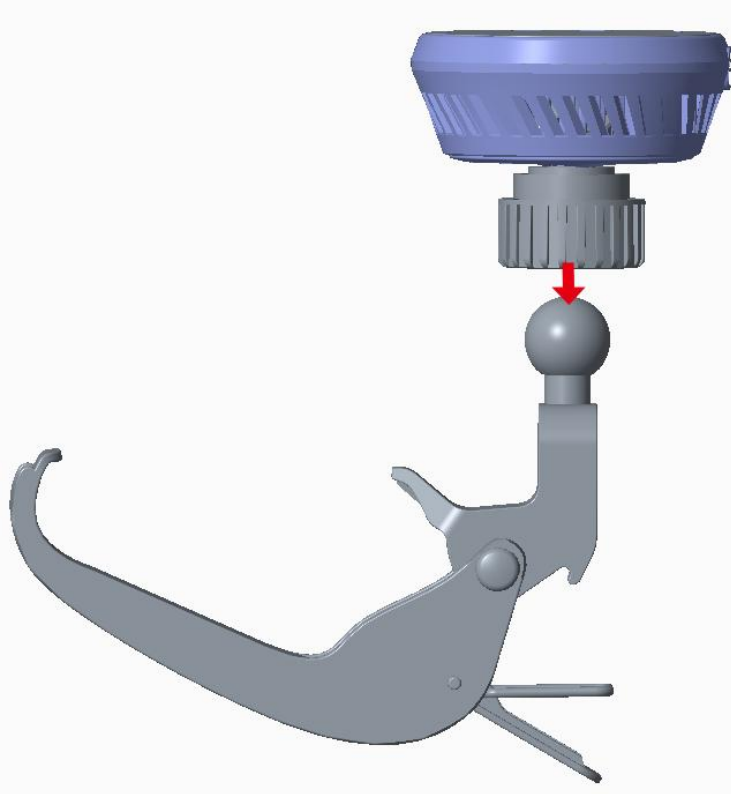


KTD81

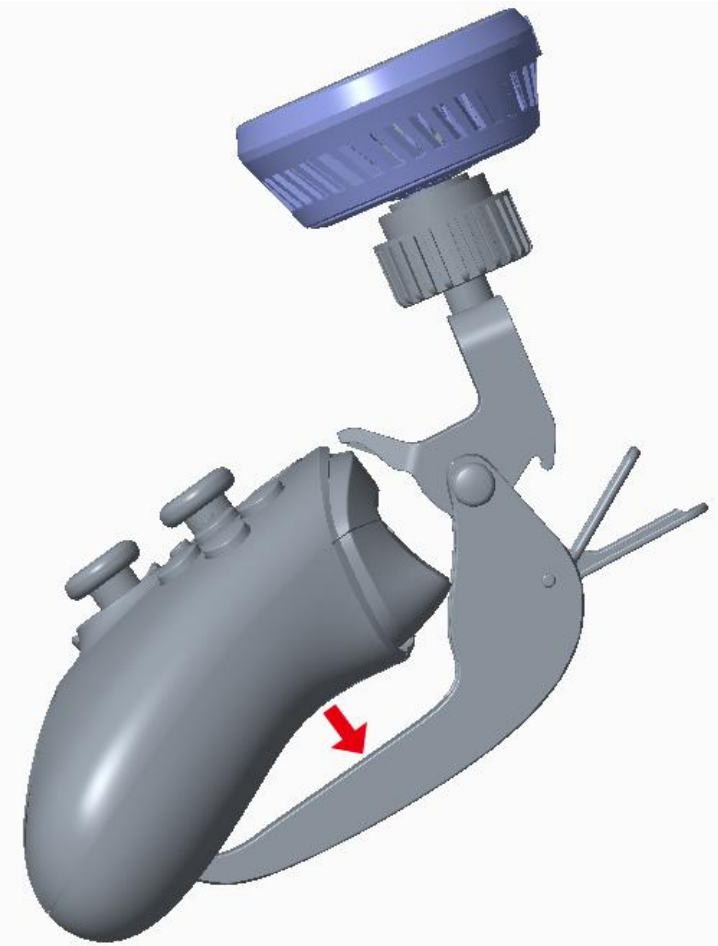
## Xbox-one/xbox-Series X Refrigeration magnetic clip installation instructions

### 一、Install handle and phone

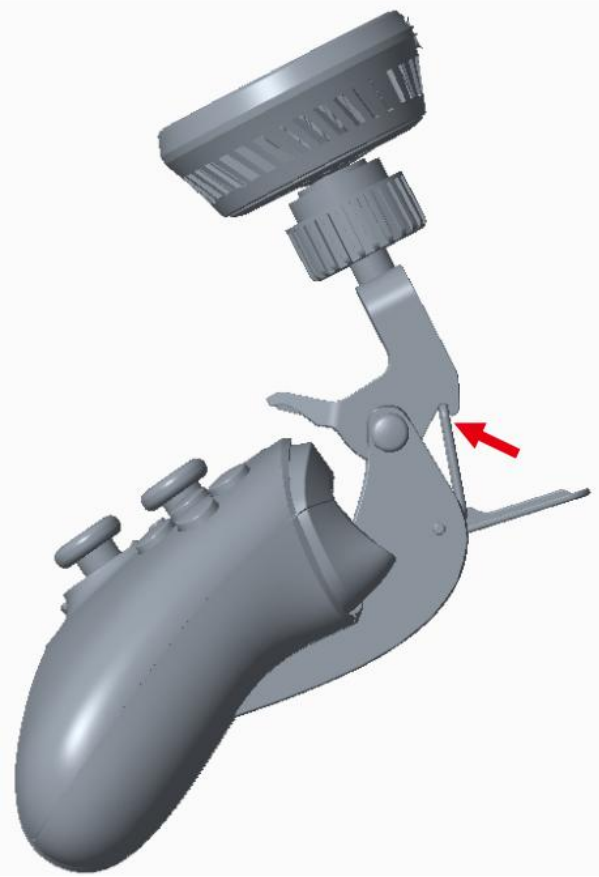
1、The first step is to install the magnetic head onto the bracket and tighten the nut to a suitable rotation strength after installation.



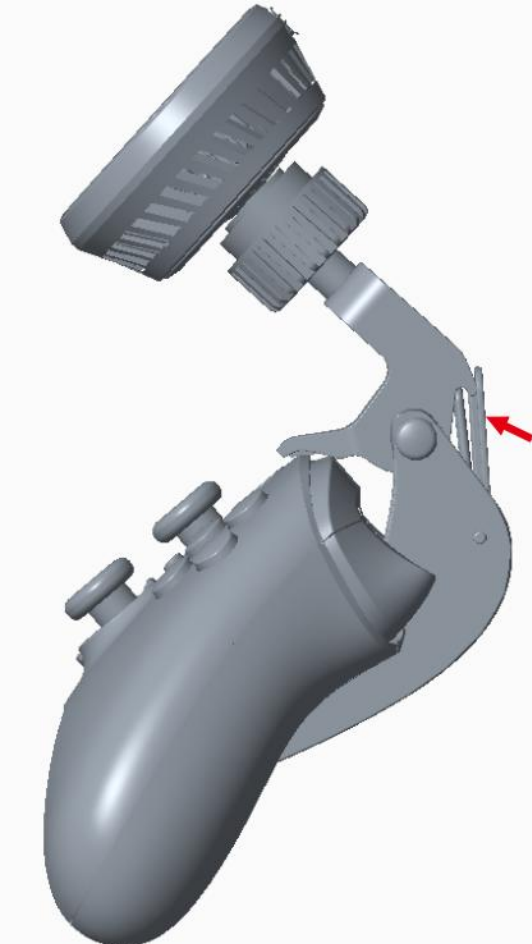
2、Step two, install the handle onto the bracket.



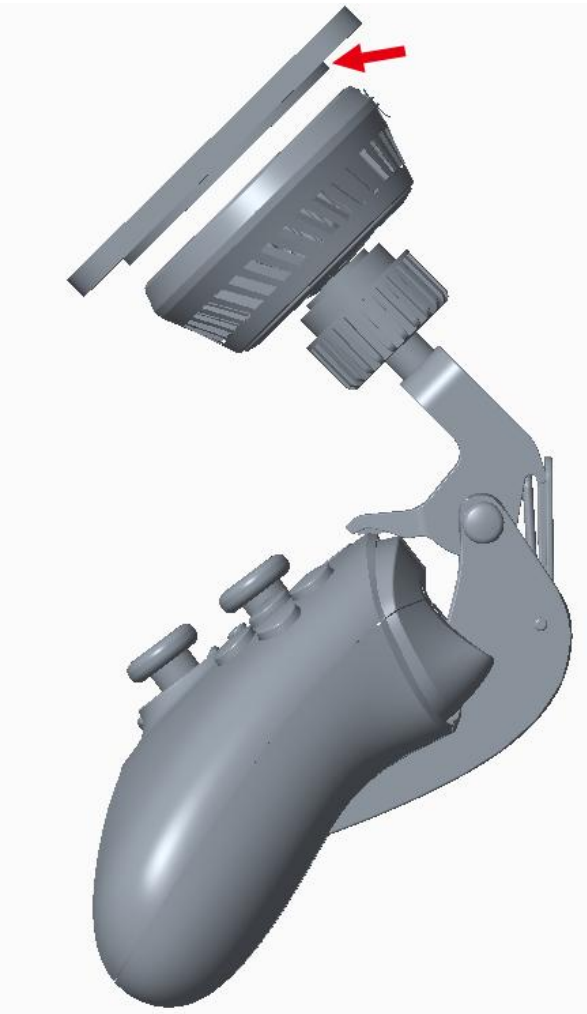
3、 Step three, push the metal ring into the groove.



4、 Step four, push the locking clip up to lock the bracket and handle.



5、 Step five, push the locking clip up again to secure the bracket and handle.



6、 Installation is complete.



## 二、 Electrical parameters

Power supply: 5V/2A/10W

Cable: Approximately 1 meter in length with a power output of 10W.

Cooling power: 6-7W

Cooling efficiency: Cools down approximately 10 degrees Celsius within 5 minutes (test conditions: room temperature of 25 degrees Celsius)

Operating temperature:  $0 \pm 45$  degrees Celsius

Storage temperature:  $-10 \pm 45$  degrees Celsius

## 二、Packaging materials.

Clamp \*1

Magnetic head \*1

Magnetic sheet \*1

Type-C cable \*1

User manual \*1