

KTA87

Instructions for Dual Charging of PS5 Controller Stand



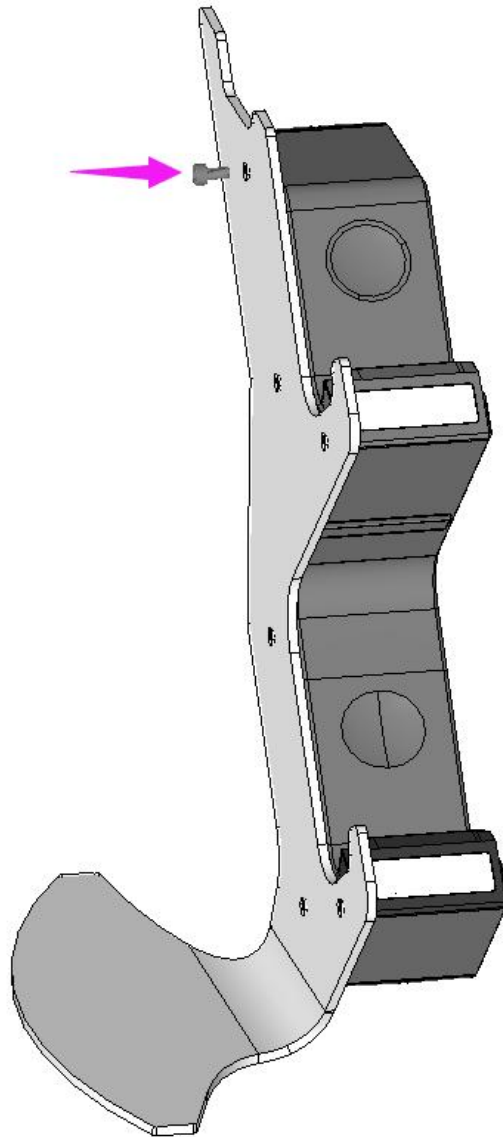
Bill of Materials

- 1、 A left mental stand
- 2、 A right mental stand
- 3、 A charging body
- 4、 12 screws (1 spare)

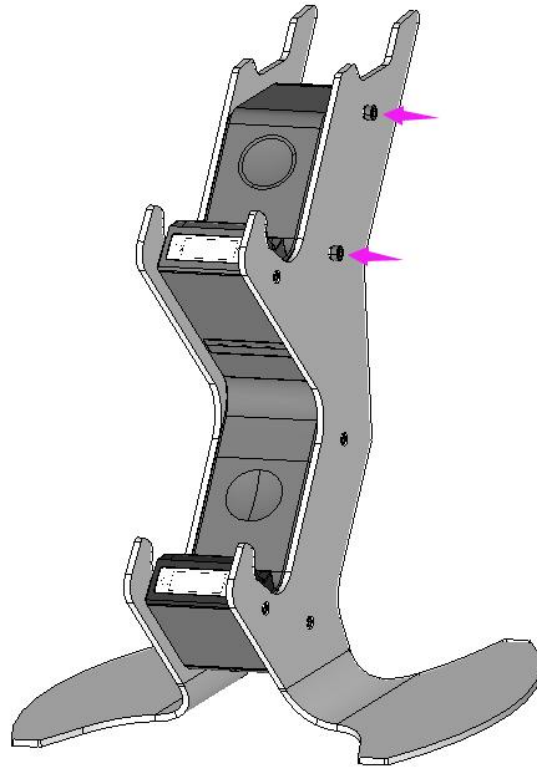
- 5、 4 round foot pads
- 6、 A L-shaped wrench
- 7、 A Type-c DC5V 3A power supply
- 8、 An instruction manual

Installation diagram

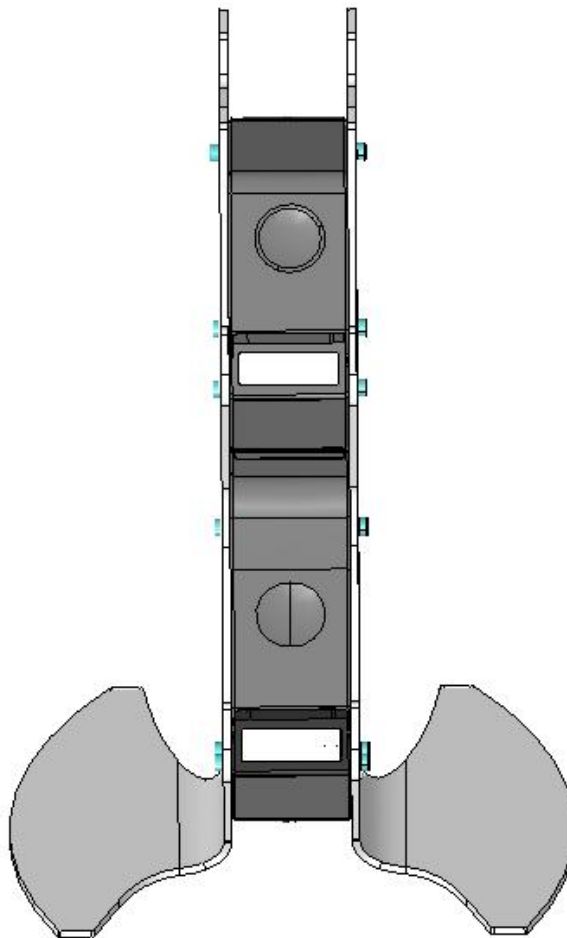
1、 First align the charging body and the left stand with the holes and fix 1 or 2 screws. The screws do not need to be tightened, as long as the plastic column can be fixed.



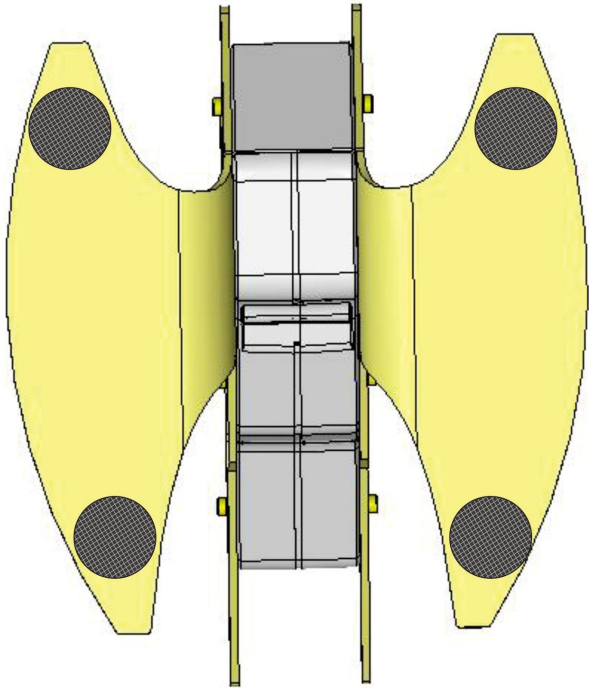
2、 Then align the hole of the right stand with the charging body and fix 1 or 2 screws.



3、 Put the machine with the fixed left and right stands on a flat table, and then fix all the screws and fit them tightly.



4 、 Finally, attach the foot pads to the four positions on the bottom of the stand.



Product parameters

- 1、 Product Model:KTA87
- 2、 Product Size:23.5*20.2*17.5CM
- 3、 Product Weight:827g
- 4、 Material:Mental + ABS
- 5、 Product Color:White + Black
- 6、 Input:DC5V-3000mA
- 7、 Output:DC5V1.2A*2
- 8、 Single controller charging current: about 1200mA; Simultaneous charging of both controllers: about 2000mA
- 9、 Charging time:about 2.5 hours

Product Brief Introduction

- 1、 In the charging state, the red light of the stand is always on, and the blue light is on when fully charged. (No light in standby state)
- 2、 The product can be used as a controller holder, where two controllers and a headset can be placed.



- 3、 The product has built-in short circuit protection to prevent battery damage caused by short circuit of the two charging contacts on the back.
- 4、 Support input and output overvoltage protection
- 5、 Support output low voltage protection
- 6、 Support output overcurrent protection
- 7、 Support dual controllers charging in the same time
- 8、 Built-in boost circuit, perfectly solves the problem of slow charging.
- 9、 After connect to the power supply, the charge indicator light and full charge indicator light are on respectively for 0.6 seconds and then go out, indicating that the charging is normal.

Charging Instruction

- 1、 Before use, please plug the TYPE-C power cord in the packing box into the TYPE-C interface on the back of the charging stand. And then put the controller on the charging stand. When the red light of the charging stand

on, indicating that the controller is successfully connected to the charging stand and the controller is in the charging state. The blue light turns on when fully charged.

2、 Input overvoltage protection function: If the input power supply voltage is greater than 5.7V, the two red LED lights will flash quickly, and it will return to normal after power failure.

3、 Output over-current protection function: the charging current of each controller is about 750mA, and the maximum support current of a single controller is 1500mA. If the current exceeds 1500mA, the charging port will perform over-current protection, and charging is not allowed. At the same time, the corresponding charging indicator light flashes and it will return to normal after power failure.

4、 Input low-voltage protection function: If the input voltage is lower than 4.2V, the charging stand will close all charging ports, the charging indicator light will flash, and it will return to normal after power failure.

5、 Charging current control:

The first inserted controller will be charged first.

The second inserted controller will first detect the charging current of the first controller. If the current exceeds 850mA, the controller inserted later will enter the waiting charging mode. If the current is less than 850mA, the controller inserted later will be charged. At this time, the total charging current of the two controllers will be detected. If the total current exceeds 1700mA, the controller inserted later will enter the

waiting charging mode. The controller waiting to be charged, it will wait for the other controller to finish charging before starting to charge.

Attention

- 1、 The red light is on when the controller is in normal charging state.
- 2、 If the controller is not placed in the proper position, the blue light will on or flashing to remind you to place the controller again.
- 3、 If the indicator light is flashing, please disconnect the power supply and reconnect the power adapter.
- 4、 When the charging stand is not used for a long time, please power off the charging stand.
- 5、 Please do not replace the original power adapter at will. If you replace another power adapter with an output voltage of 5V, the output current should not be less than 2500mA, otherwise the charging stand will not be able to charge normally.