

270 Degree Bluetooth Steering Wheel Function Manual

*Function introduction

1. Supported platforms: PS4/PS3/SWITCH/PC/IOS/Android and other platforms, IOS platform supports MFI mode and V3 game mode, Android platform supports HID standard mode and V3 mode; IOS MFI mode plays games in the ShanWan MFi app, V3 game mode plays games in the App Store; Android HID mode plays arcade games, and Android V3 plays games downloaded from the Android market.

The PC (Windows) platform supports wired connection, and the wired function is realized by connecting the TYPE-C data cable to the USB-T socket behind the steering wheel. The PC platform supports Xinput/Directinput, and Xinput is the default when powered on, and the Xinput/Directinput mode can be switched by pressing the (HOME) button for 3 seconds. 2. The Bluetooth connection distance is about 8 meters, and the Bluetooth version is 5.0. 3. Three external 1.5V AAA alkaline batteries. 4.

Support 10-level dead zone adjustment and synchronization of

steering wheel and steering wheel controller in the game. 5. Support 4 levels of dead zone increase, each level

increases by 3 degrees, a total of 12 degrees. 6. Support 4 levels of sensitivity setting, each

level corresponds to 1 LED indicator, the default is 1 level. 7. Support sensitivity/dead zone setting/replacement function

power-off memory.

8. The SWITCH platform supports the camera function by pressing L1+L3 at the same time. 9.

The cat ear ambient light can be turned off or on. The ambient light is turned on by default and sleeps with the machine; press and hold the R3 button for about 7 seconds to turn off the ambient light, and then press

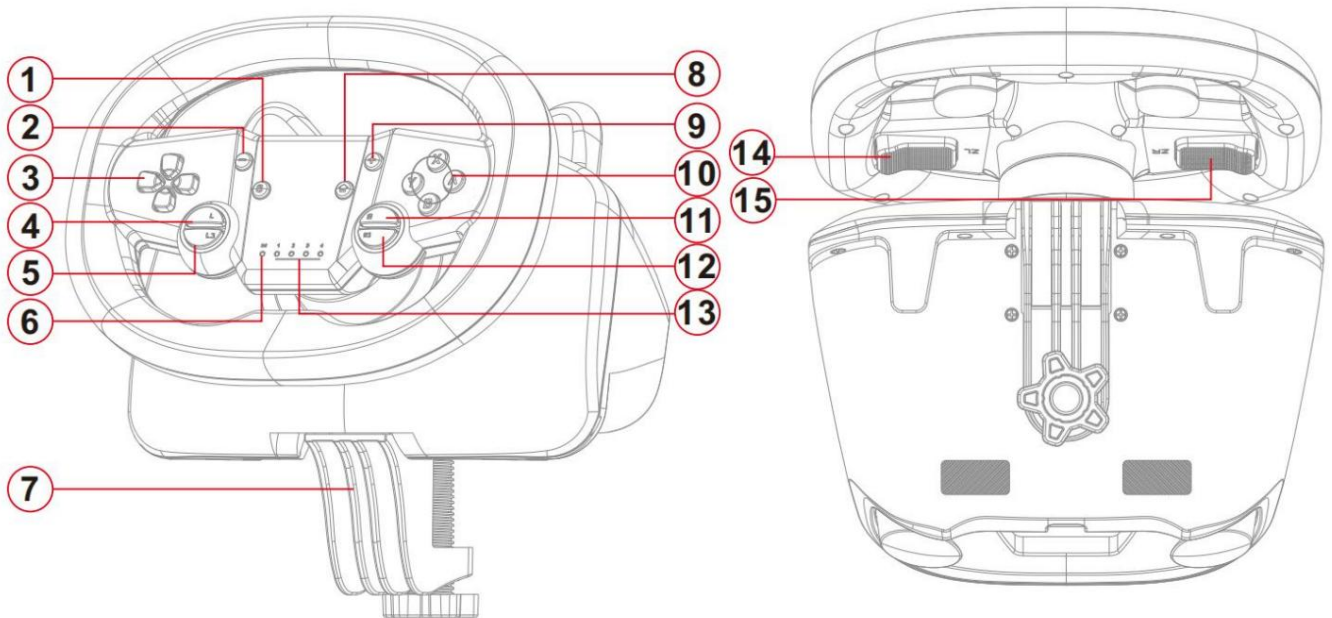
Turn on the ambient light in 7 seconds.

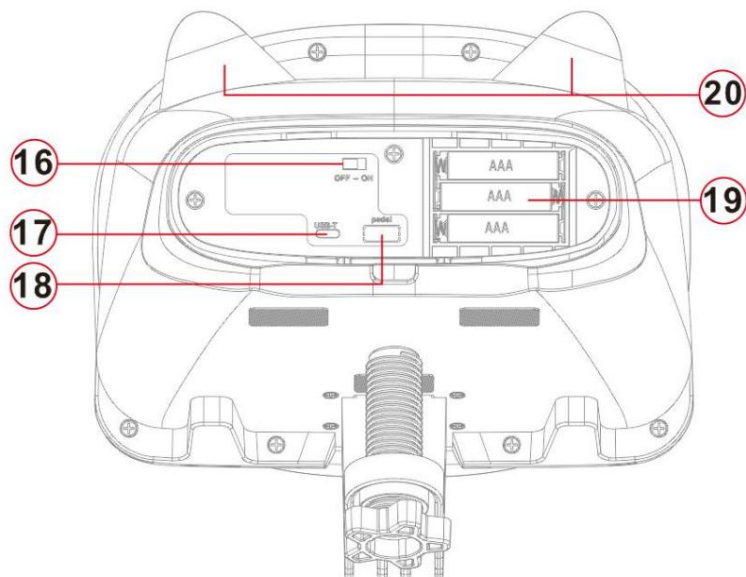
10. Support pressing the compound key L3+R3 for about 5 seconds to restore the factory settings (sensitivity and replacement function will return to the default state after factory

settings) 11. Support low battery reminder and

sleep. 12. The fixture supports the thickness of the desktop between 3-49mm.

*Function indication





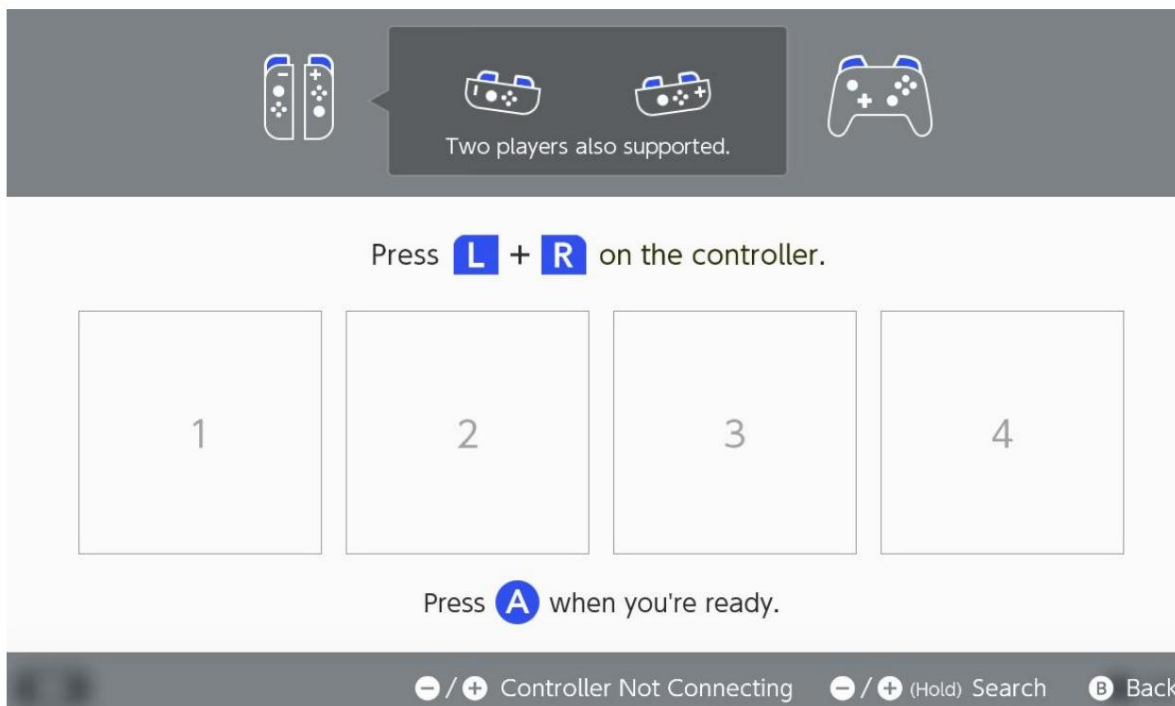
1. S button: Set dead zone compensation and sensitivity. 2. - button: SELECT key to select the button. 3. Arrow keys: Control the direction of selection.
4. L button: L1 function key in the game.
5. L3 button: In-game function key.
6. M indicator light: platform light, mode light, channel light, setting light. 7. Fixture: Fixture for fixing the table.
8. HOME button: start button, mode button, PS button, soft switch button, different functions on different platforms; on the Switch platform, the start button returns to the desktop with one key; on the PS3/PS4 platform, it is used as a PS button; on the PC wired platform, it is used as a mode selection button, long press the button for 3 seconds to switch between Xinput mode and Dinput mode. Press and hold this button for 5 seconds to switch on and off softly during wireless connection.
9. + button: Pause start key.
10. A/B/X/Y buttons: In-game function keys.
11. R button: In-play function key R1.
12. R3 button: In-play function key.
13. LED light: dead zone compensation indication and sensitivity setting indication, the default is sensitivity indication.
14. ZL trigger: left trigger brake function
15. ZR trigger: right trigger refueling function. 16. Toggle switch: the main power switch in wireless mode.
17. USB-T: wired TYPE-C socket, connected to the wired steering wheel. 18. Spare refueling brake pedal interface.
19. AAA battery compartment.
20. Left and right ear lights.

•, the connection and use of SWITCH

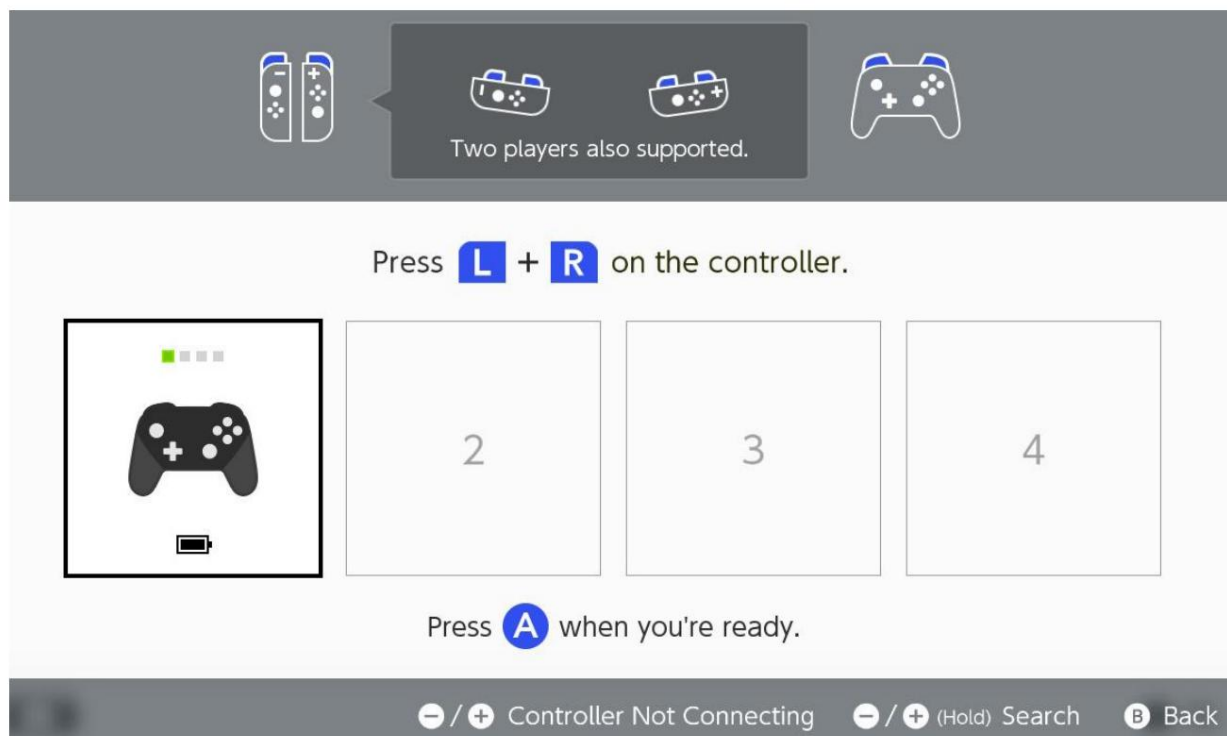
1. Wired connection:

Put the SWITCH host into the SWITCH base, and connect the USB and the handle of the SWITCH base through the data cable in the box. After the connection, the blue platform light of the steering wheel will light up; turn on the power toggle switch in the battery compartment to ON, and the steering wheel will automatically connect to the host Bluetooth after unplugging the data cable. 2. Wireless

connection can use wireless connection when there is no data cable on the steering wheel; after installing the battery on the steering wheel, first open the battery compartment behind the steering wheel and toggle Switch the total power to ON; then turn the SWITCH host to the Bluetooth connection interface (below)



When the steering wheel is not awakened, press the L+R keys on the steering wheel at the same time without letting go, and then press the HOME key. The blue LED on the steering wheel will flash quickly to search for the Bluetooth of the SWITCH host. When the connection is successful, a controller icon will appear in the figure below, just press the A key according to the reminder.



3. Set up Mario Kart

In Mario Kart game, the default A button for refueling, and the default B button for braking; you need to press the "R3+X" button on the steering wheel at the same time for 3 seconds to switch before it

can be used. 4. Set the controller steering wheel to sync with the game

After entering the game, turn the steering wheel of the controller to synchronize with the steering wheel in the game, and reduce the dead zone of the steering wheel in the game through fine-tuning, so that the steering wheel in the game and the steering wheel of the controller are close to synchronous steering; the dead zone angle of the steering wheel in the game can be reduced by adjusting the logic dead zone of the steering wheel.

Press the S+Down key at the same time for 2 seconds, the green light and the No. 1 light flash quickly to enter the dead zone reduction setting. After entering the dead zone reduction setting, press the down arrow key to reduce the dead zone. Each time you press the down arrow key, the dead zone decreases by 3 degrees. Press the first time, the green light + No. Slow flashing, level 4 dead zone; press the fifth blue light + slow flashing number 2, level 5 dead zone; press the sixth blue light + slow flashing number 3, level 6 dead zone; press the seventh blue light + slow flashing number 4, level 7 dead zone; press the eighth purple light + slow flashing number 1, level 8 dead zone; .

After each level of dead zone adjustment, you can turn the steering wheel to compare with the game. When the steering wheel controller and the game steering wheel are close to synchronization, you can exit the dead zone setting. When pressing the up direction key, it returns to the dead zone of the previous level, and each time it is pressed, it is 3 degrees, and the LED light of the corresponding level is on. If you need to exit the dead zone setting, press the S key once to exit; if there is no setting for 60 seconds, it will automatically exit the setting; the dead zone level will be memorized when the power is off. 5. About pedals: The pedals of the steering wheel are optional accessories. When purchasing, you can choose a steering wheel with pedal function or a steering wheel without pedal function.

If you purchased a steering wheel with pedal function, when the pedal is connected to the steering wheel, the pedal fuel brake defaults to ZR and ZL functions respectively, left and right. The trigger will automatically switch to L and R functions, and when you unplug the pedal, the left and right triggers will resume ZR and ZL functions. 6. About motor vibration adjustment

There are 5 levels of motor vibration adjustment, which are 100%, 75%, 50%, 20%, and 0%. When it is adjusted to 0%, the motor is turned off, and the default is 75%. While at the same time Press the "-key + UP key" to increase the vibration, and press the "-key + DOWN key" at the same time to reduce the vibration. 7. Screen capture

function Press L1+L3 at

the same time to capture screen function. 8.

Turn off the cat light Long

press the R3 button for about 7 seconds to turn off or turn on the cat light, the default is on.

9. About SWITCH cracking machine

There are too many cracked versions of SWITCH cracking machines, and some versions may have the problem of reverse A/B/X/Y key values. This version does not affect the normal use of the product. 10. Precautions

When you change the

game or platform, it is recommended that you initialize the settings to avoid the mismatch between the previous settings and the game functions you are playing; when you press the "L3+R3" buttons at the same time for 5 seconds, the LED will flash and the steering wheel will initialize.

•, PS4 connection and use

1. For PS4 connection,

first install the battery in the packing box or the purchased battery in the battery compartment behind the steering wheel, then plug the TYPE-C data cable into the USB-T position behind the steering wheel, and connect the other end to the USB of the PS4 host. After the connection, the blue light on the steering wheel is on. At this time, press the HOME button (PS button) on the steering wheel for about 1 second. The steering wheel platform light turns green to indicate that the PS4 wired connection is successful. At this time, turn on the dial behind the steering wheel. After turning the switch to ON, unplug the USB data cable, the steering wheel Bluetooth will automatically connect with the PS4 host. 2. Game Mode Replacement The game

mode replacement is mainly for

GT games. In the racing games we normally play, the refueling and braking are basically on the left and right triggers or pedals by default, but in GT games, the refueling is on the B button by default, and the brake is on the Y button. In order not to set it in the game, we have added the simultaneous pressing of the R3+A button for 3 seconds to replace the fuel brake with the left and right triggers or pedals.

Game mode replacement method: When the steering wheel is connected, press R3+A at the same time for about 3 seconds, and the corresponding platform light will flash for 3 seconds, and the B button and the right trigger ZR will interact with each other. Change the position, the Y key and the left trigger ZL switch positions.

3. Set the controller steering wheel to sync with the game

After entering the game, turn the steering wheel of the controller to synchronize with the steering wheel in the game, and reduce the dead zone of the steering wheel in the game through fine-tuning, so that the steering wheel in the game and the steering wheel of the controller are close to synchronous steering; the dead zone angle of the steering wheel in the game can be reduced by adjusting the logic dead zone of the steering wheel.

Press the S+Down key at the same time for 2 seconds, the green light and the No. 1 light flash quickly to enter the dead zone reduction setting. After entering the dead zone reduction setting, press the down arrow key to reduce the dead zone. Each time you press the down arrow key, the dead zone decreases by 3 degrees. Press the first time. The green light + No. 2 light flashes slowly, the 1st level dead zone; Slow flashing, level 4 dead zone; press the fifth blue light + slow flashing number 2, level 5 dead zone; press the sixth blue light + slow flashing number 3, level 6 dead zone; press the seventh blue light + slow flashing number 4, level 7 dead zone;

press the eighth purple light + slow flashing number 1, level 8 dead zone; . After each level of dead zone adjustment, you can turn the steering wheel to compare with the game. When the steering wheel controller and the game steering wheel are nearly synchronized, you can exit the dead zone setting. When pressing the up direction key, it returns to the dead zone of the previous level, and each time it is pressed, it is 3 degrees,

and the LED light of the corresponding level is on. If you need to exit the dead zone setting, press the S key once to exit; if there is no setting for 60 seconds, it will automatically exit the setting; the dead zone level will be memorized when the power is off. 4. About motor vibration adjustment

There are 5 levels of motor vibration adjustment, which are 100%, 75%, 50%, 20%, and 0%. When it is adjusted to 0%, the motor is turned off, and the default is 75%. While at the same time Press the "-key + UP key" to increase the vibration, and press the "-key + DOWN key" at the same time to reduce the vibration. 5. About pedals: The

pedals of the steering wheel are optional accessories. When purchasing, you can choose a steering wheel with pedal function or a steering wheel without pedal function.

If you purchased a steering wheel with pedal function, when the pedal is connected to the steering wheel, the pedal fuel brake will default to R2 and L2 functions respectively, left and right. The trigger will automatically switch to L1 and R1 functions, and when you unplug the pedal, the left and right triggers will resume R2 and L2 functions. 6. Turn off

the cat light

Press and hold the R3 button for about 7 seconds to turn off or turn on the cat lamp, which is turned on by default. 7.

Precautions When you change the game or platform, it is recommended that you initialize the settings to avoid mismatching between the previous settings and the game you are playing; when you press the "L3+R3" buttons at the same time for 5 seconds, the LED flashes and the steering wheel initializes.

• Connection and use of PS3

1. For PS3 connection,

first install the battery in the box or the purchased battery in the battery compartment behind the steering wheel, then plug the TYPE-C data cable into the USB-T position behind the steering wheel, and connect the other end to the USB of the PS3 host. After the connection is successful, the red platform light on the steering wheel will light up; at this time, turn on the toggle switch on the back of the steering wheel to ON and unplug the USB cable. The steering wheel Bluetooth will automatically connect to the PS3 host. 2. Game Mode Replacement

The game mode replacement is

mainly for GT games. In the racing games we normally play, the refueling and braking are basically on the left and right triggers or pedals by default, but in GT games, the refueling is on the B button by default, and the brake is on the Y button. In order not to set it in the game, we have added the simultaneous pressing of the R3+A button for 3 seconds to replace the fuel brake with the left and right triggers or pedals.

Game mode replacement method: When the steering wheel is connected, press R3+A at the same time for about 3 seconds, and the corresponding platform light will flash for 3 seconds, and the B button and the right trigger ZR will interact with each other. Change the position, the Y key and the left trigger ZL switch positions.

3. Set the controller steering wheel to sync with the game

After entering the game, turn the steering wheel of the controller to synchronize with the steering wheel in the game, and reduce the dead zone of the steering wheel in the game through fine-tuning, so that the steering wheel in the game and the steering wheel of the controller are close to synchronous steering; the dead zone angle of the steering wheel in the game can be reduced by adjusting the logic dead zone of the steering wheel.

Press the S+Down key at the same time for 2 seconds, the green light and the No. 1 light flash quickly to enter the dead zone reduction setting. After entering the dead zone reduction setting, press the down arrow key to reduce the dead zone. Each time you press the down arrow key, the dead zone decreases by 3 degrees. Press the first time. The green light + No. 2 light flashes slowly, the 1st level dead zone; Slow flashing, level 4 dead zone; press the fifth blue light + slow flashing number 2, level 5 dead zone; press the sixth blue light + slow flashing number 3, level 6 dead zone; press the seventh blue light + slow flashing number 4, level 7 dead zone; press the eighth purple light + slow flashing number 1, level 8 dead zone; . After each level of dead zone adjustment, you can turn the steering wheel to compare with the game. When the steering wheel controller and the game steering wheel are nearly synchronized, you can exit the dead zone setting. When pressing the up direction key, it returns to the dead zone of the previous level, and every time it is pressed, it is 3 degrees, and the LED light of the corresponding level is on. If you need to exit the dead zone setting, press the S key once to exit; if there is no setting for 60 seconds, it will automatically exit the setting; the dead zone level will be memorized when the power is off. 4. About motor vibration adjustment

There are 5 levels of motor vibration adjustment, which are 100%, 75%, 50%, 20%, and 0%. When it is adjusted to 0%, the motor is turned off, and the default is 75%. while at the same time Press the "-key + UP key" to increase the vibration, and press the "-key + DOWN key" at the same time to reduce the vibration. 5. About

pedals: The pedals of the steering wheel are optional accessories. When purchasing, you can choose a steering wheel with pedal function or a steering wheel without pedal function.

If you purchased a steering wheel with pedal function, when the pedal is connected to the steering wheel, the pedal fuel brake will default to R2 and L2 functions respectively, left and right

The trigger will automatically switch to L1 and R1 functions, and when you unplug the pedal, the left and right triggers will resume R2 and L2 functions. 6.

Turn off the cat light Long

press the R3 button for about 7 seconds to turn off or turn on the cat light, the default is on. 7.

Precautions When

you change the game or platform, it is recommended that you initialize the settings to avoid mismatching between the previous settings and the game functions you are playing; when you press the "L3+R3" buttons at the same time for 5 seconds, the LED flashes and the steering wheel is initialized.

• , Android connection and use

1. Connect the Android V3 game mode battery.

After the battery is installed, turn on the power switch of the toggle switch to ON. When the steering wheel is not awakened, press the A+HOME button at the same time, the red light will flash quickly, and the red light will be on after connection. (Bluetooth name: V3-DOYO

Wheel) 2. Connect the Android standard HID mode

battery. After installation, turn on the toggle switch power to ON. When the steering wheel is not awakened, press the X+HOME button at the same time, the blue light will flash quickly, and the blue light will be on after connection. (Bluetooth name: HID-DOYO Wheel) 3. About

"ShootingPlus V3" APP download

The ShootingPlus V3 APP can be downloaded from Huawei AppGallery/Tencent App Store/Android Market/Google App Market, etc. 4. Set the controller steering wheel to sync with the game

After entering the game, turn the steering wheel of the controller to synchronize with the steering wheel in the game, and reduce the dead zone of the steering wheel in the game through fine-tuning, so that the steering wheel in the game and the steering wheel of the controller are close to synchronous steering; the dead zone angle of the steering wheel in the game can be reduced by adjusting the logic dead zone of the steering wheel.

Press the S+Down key at the same time for 2 seconds, the green light and the No. 1 light flash quickly to enter the dead zone reduction setting. After entering the dead zone reduction setting, press the down arrow key to reduce the dead zone. Each time you press the down arrow key, the dead zone decreases by 3 degrees. Press the first time. The green light + No. 2 light flashes slowly, the 1st level dead zone; Slow flashing, level 4 dead zone; press the fifth blue light + slow flashing number 2, level 5 dead zone; press the sixth blue light + slow flashing number 3, level 6 dead zone; press the seventh blue light + slow flashing number 4, level 7 dead zone; press the eighth purple light + slow flashing number 1, level 8 dead zone; .

After each level of dead zone adjustment, you can turn the steering wheel to compare with the game. When the steering wheel controller and the game steering wheel are close to synchronization, you can exit the dead zone setting. When pressing the up direction key, it returns to the dead zone of the previous level, and each time it is pressed, it is 3 degrees, and the LED light of the corresponding level is on. If you need to exit the dead zone setting, press the S key once to exit; if there is no setting for 60 seconds, it will automatically exit the setting; the dead zone level will be memorized when the power is off. 5. Steering wheel anti-

shake and anti-drift setting The steering wheel controller has no dead zone during the game. If you find that the steering wheel will vibrate to one side after returning to the center in some games, you can set the following It can be set up to four levels of anti-shake, and the dead zone is about 12 degrees on one side at level 4.

Set the anti-shake method of the center point of the steering wheel: Press the S+UP button for 2 seconds at the same time, the green light and the No. 1 light flash quickly to enter the anti-shake setting. After entering the anti-shake setting, press the up arrow key to enter the anti-shake setting. The anti-shake will increase by about 3 degrees of dead zone each time you press the up direction key. Press the first time, the red light + No. 4 light flashes slowly, press the second time, the red light + No. When pressing the down button, it returns to the dead zone of the previous level, and each time it is pressed, it is 3 degrees, and the LED light of the corresponding level is on. If you need to exit the anti-shake setting, press

the S key once to exit; 60 seconds without setting will automatically exit the setting; power off memory dead zone level. Clear the dead zone to the initial state: Long press the S key for 5 seconds to clear the dead zone and the sensitivity to the initial state, the green light + 1 light + cat ear light flash three times at the same time.

6. Turn off the cat light Long

press the R3 button for about 7 seconds to turn off or turn on the cat light, the default is on. 7. Notes

When you change the game or the platform you use, it is recommended that you perform initialization settings to avoid the mismatch between the previous settings and the game functions you are playing; when you press the "L3+R3" buttons at the same time for 5 seconds, the LED flashes and the steering

wheel is initialized. 8. After restoring the initial value, please delete the previous Bluetooth and re-connect to the Bluetooth again. 9.

Regarding the bluetooth reconnection instructions, if the same platform is online and then turned on again, it can automatically reconnect. If you change the mode or platform and then connect before The platform cannot be connected back, you need to delete the Bluetooth name and reconnect.

• IOS connection and use

1. Connect the IOS MFI mode steering

wheel and install the battery, turn on the power switch of the toggle switch to ON, press the B+HOME button at the same time when the steering wheel is not awakened, the red light will flash quickly, and the red light will be on after connection. (Bluetooth name: DUALSHCOCK4 wireless controller) 2. Connect the IOS V3 game mode

steering wheel, install the battery, turn on the toggle

switch, press the Y+HOME button at the same time when the steering wheel is not awake, the blue light will flash quickly, and the blue light will be on after connection. (Bluetooth name: IOS-V3-DOYO Wheel). (Note:

IOS V3 mode is currently compatible with versions below IOS 13.4) 3. About "ShootingPlus V3" APP download

The ShootingPlus V3 APP can be downloaded from the App Store or Google's application market.

4. To set the controller steering wheel and in-game synchronization is

to turn the controller steering wheel and the in-game steering wheel to synchronize after entering the game, and reduce the dead zone of the in-game steering wheel through fine-tuning, so that the in-game steering wheel and the controller steering wheel are close to synchronous steering; by adjusting the logic dead zone of the steering wheel to reduce the dead zone angle of the in-game steering wheel, the maximum range of synchronization adjustment is 30 degrees on one side, a total of 11 levels, and the default is level 1.

Press the S+Down key at the same time for 2 seconds, the green light and the No. 1 light flash quickly to enter the dead zone reduction setting. After entering the dead zone reduction setting, press the down arrow key to reduce the dead zone. Each time you press the down arrow key, the dead zone decreases by 3 degrees. Press the first time. The green light + No. 2 light flashes slowly, the 1st level dead zone; Slow flashing, level 4 dead zone; press the fifth blue light + slow flashing number 2, level 5 dead zone; press the sixth blue light + slow flashing number 3, level 6 dead zone; press the seventh blue light + slow flashing number 4, level 7 dead zone; press the eighth purple light + slow flashing number 1, level 8 dead zone; .

After each level of dead zone adjustment, you can turn the steering wheel to compare with the game. When the steering wheel controller and the game steering wheel are nearly synchronized, you can exit the dead zone setting. When pressing the up direction key, it returns to the dead zone of the previous level, and each time it is pressed, it is 3 degrees, and the LED light of the corresponding level is on.

If you need to exit the dead zone setting, press the S key once to exit; 60 seconds without setting will automatically exit the setting; power-off memory dead zone level 5, steering wheel anti-shake and anti-drift

setting The steering wheel controller is in a state

of no dead zone during the game.

It can be set up to four levels of anti-shake, and the dead zone is about 12 degrees on one side at level 4. Set the

anti-shake method of the center point of the steering wheel: Press the S+UP button for 2 seconds at the same time, the green light and the No. 1 light flash quickly to enter the anti-shake setting. After entering the anti-shake setting,

press the up arrow key to enter the anti-shake setting. The anti-shake will increase by about 3 degrees of dead zone each time you press the up direction key. Press the first time, the red light + No. 4 light flashes slowly, press the

second time, the red light + No. When pressing the down button, it returns to the dead zone of the previous level, and each time it is pressed, it is 3 degrees, and the LED light of the corresponding level is on. If you need to exit the

anti-shake setting, press the S key once to exit; 60 seconds without setting will

automatically exit the setting; power off memory dead zone level. Clear the dead zone to the initial state: Long press the S key for 5 seconds to clear the dead zone and the sensitivity to the initial state, the green

light + 1 light + cat ear light flash three times at the same time.

6. Turn off the cat light Long

press the R3 button for about 7 seconds to turn off or turn on the cat light, the default is on. 7. Notes

When you change the game or the platform you use, it is recommended that you perform initialization settings to avoid the mismatch between the previous settings and the game functions you are playing; when you press the

"L3+R3" buttons at the same time for 5 seconds, the LED flashes and the steering wheel is initialized.

8. After restoring the initial value, please delete the previous Bluetooth and re-connect to the Bluetooth again. 9. Regarding the bluetooth

reconnection instructions, if the same platform is connected and then turned on again, it can be automatically reconnected. If the mode or platform is changed and then reconnected

The previous platform cannot be connected back, you need to delete the Bluetooth name and reconnect.

• Windows connection and use

1. Steering wheel bluetooth link to notebook bluetooth

First turn on the bluetooth of the laptop, then turn on the steering wheel and toggle the power switch to ON. When the steering wheel is not awakened, press the R+HOME button at the same time, the green light will flash quickly,

and the green light will be on after connection.

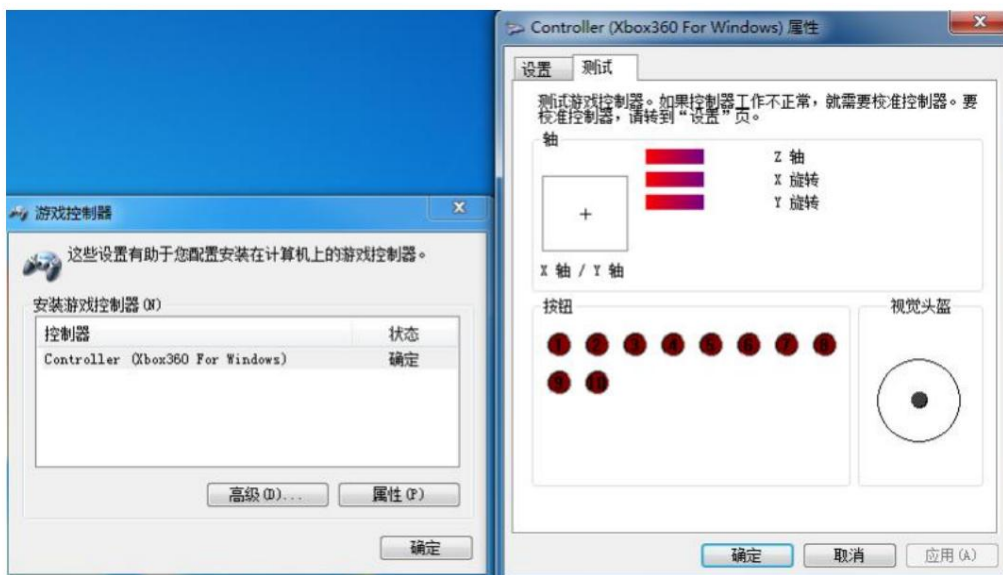
2. The steering wheel Bluetooth is connected to the laptop Win11 system. Do not delete the Bluetooth device name during the connection, otherwise it will cause the second connection to fail, and the computer must be

restarted. 3.

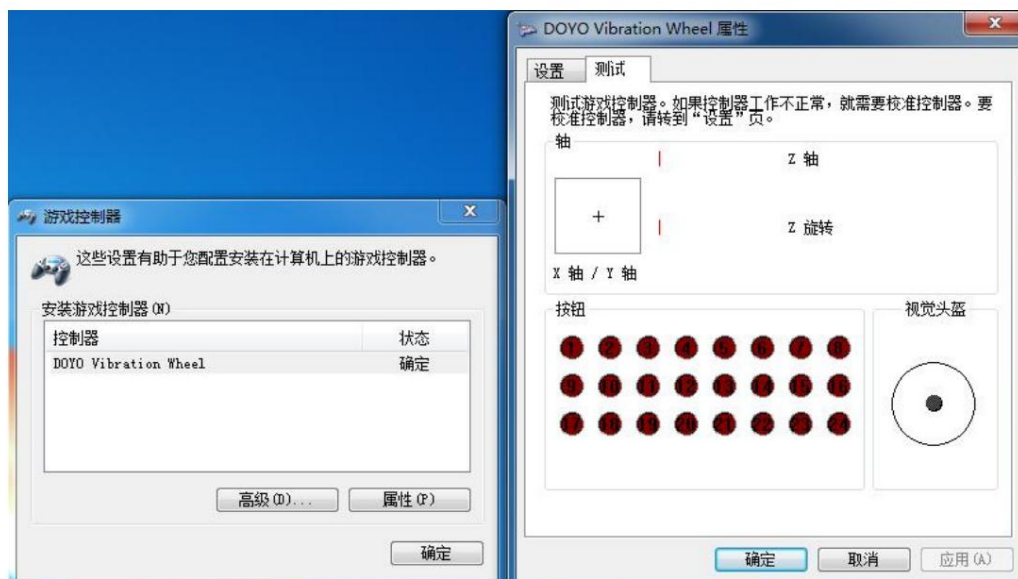
Wired connection to PC (Windows) 3.1. Connect the

steering wheel to the computer through a TYPE-C data cable. After the connection is successful, the green light on the steering wheel is on, and the steering wheel defaults to Xinput mode; if the steering wheel cannot recognize

the computer normally, please download the "xbox360_64Eng driver" from Baidu or Microsoft and install it on the computer.



3.2. If you want to play the game in Dinput mode, please press and hold the HOME button for about 3 seconds to switch.



3.3. To set the controller steering wheel and in-game synchronization is

to turn the controller steering wheel to synchronize with the in-game steering wheel after entering the game, and reduce the dead zone of the in-game steering wheel through fine-tuning, so that the in-game steering wheel and the controller steering wheel are close to synchronous steering; by adjusting the logic dead zone of the steering wheel to reduce the dead zone angle of the in-game steering wheel, the maximum range of synchronization adjustment is 30 degrees on one side, a total of 11 levels, and the default is level 1.

Press the S+Down key at the same time for 2 seconds, the green light and the No. 1 light flash quickly to enter the dead zone reduction setting. After entering the dead zone reduction setting, press the down arrow key to reduce the dead zone. Each time you press the down arrow key, the dead zone decreases by 3 degrees. Press the first time. The green light + No. 2 light flashes slowly, the 1st level dead zone; Slow flashing, level 4 dead zone; press the fifth blue light + slow flashing number 2, level 5 dead zone; press the sixth blue light + slow flashing number 3, level 6 dead zone; press the seventh blue light + slow flashing number 4, level 7 dead zone; press the eighth purple light + slow flashing number 1, level 8 dead zone; . After each level of dead zone adjustment, you can turn the steering wheel to compare with the game. When the steering wheel controller and the game steering wheel are nearly synchronized, you can exit the dead zone setting. When pressing the up direction key, it returns to the dead zone of the previous level, and every time it is pressed, it is 3 degrees, and the LED light of the corresponding level is on.

If you need to exit the dead zone setting, press the S key once to exit; 60 seconds without setting will automatically exit the setting; power off memory dead zone level

3.4. About motor vibration adjustment

There are 5 levels of motor vibration adjustment, which are 100%, 75%, 50%, 20%, and 0%. When it is adjusted to 0%, the motor is turned off, and the default is 75%. while at the same time Press the "-key + UP key" to increase the vibration, and press the "-key + DOWN key" at the same time to reduce the vibration.

3.5. Steering wheel anti-shake and anti-drift setting

During the game, the steering wheel controller is in a state of no dead zone. If you find that the steering wheel will vibrate to one side after returning to the center in some games, you can set the following It can be set up to four levels of anti-shake, and the dead zone is about 12 degrees on one side at level

4. Set the anti-shake method of the center point of the steering wheel: press the S+UP button for 2 seconds at the same time, the green light and the No. 1 light flash quickly to enter the anti-shake setting. After entering the anti-shake setting, press the up arrow key to enter the anti-shake setting. The anti-shake will increase by about 3 degrees of dead zone each time you press the up direction key. When pressing the down button, it returns to the dead zone of the previous level, and each time it is pressed, it is 3 degrees, and the LED light of the corresponding level is on. If you need to exit the anti-shake setting, press the S key once to exit; 60 seconds without setting will automatically exit the setting;

power off memory dead zone level. Clear the dead zone to the initial state: Long press the S key for 5 seconds to clear the dead zone and the sensitivity to the initial state, the green light + 1 light +

cat ear light flash three times at the same time. 3.6. Sensitivity setting

Why do you need to adjust the sensitivity? In many racing games with detours, it is difficult to turn the steering wheel, so we added a steering speed setting on the steering wheel. The steering speed is the angle at the front when the steering wheel is turned. The speed is fast and the speed at the back is slow. There are four speeds in total. We can adjust the speed of each level to adapt to games that do not know the road, so that our steering wheel controller is easier to operate and control in the game. Sensitivity adjustment method: press the L3+S key for 2 seconds at the same time, after entering the sensitivity setting, the current platform indicator light + No. 1 light + cat light flashes, press the L3 key once to increase the sensitivity by one level, and cycle in turn; press the S key to exit after setting. The sensitivity level of the current platform is retained after power off. Press and

hold the S button for 5 seconds to clear the anti-shake/direction

synchronization/and sensitivity to the initial state, and the platform light + 1 light + cat ear light flash at the same time. 3.7. About the pedals: The pedals of the steering wheel are

optional accessories. When purchasing, you can choose a steering wheel with pedal function or a steering wheel without pedal function.

If you purchased a steering wheel with pedal function, when the pedal is connected to the steering wheel, the pedal fuel brake defaults to RT and LT functions respectively, left and right

The trigger will automatically switch to LB and RB functions, and when you unplug the pedal, the left and right triggers will resume RT and LT functions.

3.8. Turn off the cat light

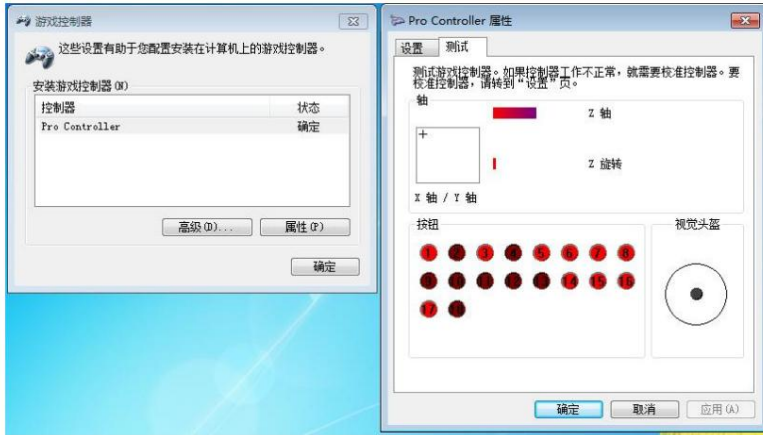
Press and hold the R3 button for about 7 seconds to turn off or turn on the cat lamp, which is turned on by default.

3.9. Note 1 When you

change the game or platform, it is recommended that you initialize the settings to avoid the mismatch between the previous settings and the game functions you are playing; when you press the "L3+R3" buttons at the same time for 5 seconds, the LED flashes and the steering wheel is initialized. 4.0. Note

2. If the steering wheel is

connected to the computer by cable for the first time, if the following interface appears, it means that the driver has not been recognized. Please reinsert the board, disconnect the USB and power on again.



• about the steering wheel upgrade

1. The steering wheel can be upgraded in the "ShootingPlus V3" APP on the Android or IOS platform; the V3 APP can be downloaded from the Huawei App Store/Tencent App Store/Android Market/Google

App Store/App Store . 2. Precautions for upgrade: Do not turn off the power during the upgrade process, and

the steering wheel controller cannot be too far away from the mobile phone, and the distance should be controlled within 1 meter; avoid failure during the upgrade process. 3. After the steering wheel is

connected to the V3 mode of the

Android phone, open the V3 APP, and click the three bars in the upper right corner. (Or after entering V3, the upgrade reminder will automatically pop up and click to upgrade)



4. If there is updated software, you can enter the upgrade, if there is no updated software, it will display "No updated software detected".



5. If the upgrade fails and the steering wheel cannot be turned on; at this time, turn on the power of the steering wheel and press the PS button once, then open the V3 APP, if there is The upgrade reminder pops up, please click Upgrade.

*Platform Correspondence Table

820 steering wheel button correspondence table 270 degrees					
Steering wheel native SWITCH		PS3/PS4	PC-Xinput	PC-Dinput	android
A	A	•	A	3	A
B	B	X	B	2	B
X	X	ŷ	X	4	X
AND	AND	ŷ	AND	1	AND
L3	L3	L3	LS	9	L3
R3	R3	R3	RS	10	R3
L	L	L1	LB	5	L1
R	R	R1	RB	6	R1
.	.	SELECT	BACK	7	SELECT
ŷ	ŷ	START	START	8	START
HOME	HOME	PS	MODE	MODE	null
Right trigger ZR	ZR	R2	RT	Z axis	R2
Left trigger ZL	ZL	L2	LT	Z axis of rotation	L2
Steering	LX	LX	LX	LX	LX
arrow keys	Arrow key	Arrow keys Arrow keys		Arrow key	Arrow key

•, low power and wake-up and precautions

1. If the LED on the ear flashes during the use of the steering wheel, it means that the battery is low. Please replace the battery in time.
2. If the steering wheel is not used within 5 minutes, it will enter the dormant state. After the steering wheel is dormant, press the HOME button to wake up the steering wheel.
3. The steering wheel does not support the charging function.
4. IOS V3 mode is currently only compatible with versions below 13.4.

- , electrical parameters

1. Working voltage 3.7-5V 2.

Working current about 180mA (including vibration) 3.

Bluetooth version 5.0, the connection distance is about <8

meters. 4. Sleep current <10uA.

5. The use time of full charge is more than 4 hours (the specific time depends on the performance

of the battery) 6. The length of TYPE-C cable is about 1.5-2 meters

- , packing list

1. Steering wheel body*1 2.

Steering wheel clamp*1 3.

Battery AAA/7*3

4. TYPE-C data cable*1 5.

Manual*1 6. Pedals

are selected according to the time of purchase