



INSTALLATION & OPERATION INSTRUCTIONS FOR PUSH PULL ROTATE HANDLESETS

FOR PUSH PULL ROTATE ENTRY DOOR HANDLESETS WITH INTERIOR LEVER.

FITS DOORS 1-3/8" (35 mm) TO 1-3/4" (45 mm) THICK

999-00370E_EN

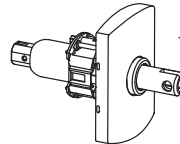


WORKS ONLY FOR IN-SWINGING DOORS. SEE INSTRUCTION STEP 1.

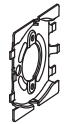
HANDLESET COMPONENT LISTING



— A - Handle Latch



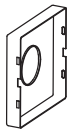
— E - Main Lock Body



— B - Main Lock Body Mounting Plate



— F - Handle Assembly



— C - Inside Lever Rose



— D - Lever



— G - Bushing



— H - Washer



— I - Screw Cover

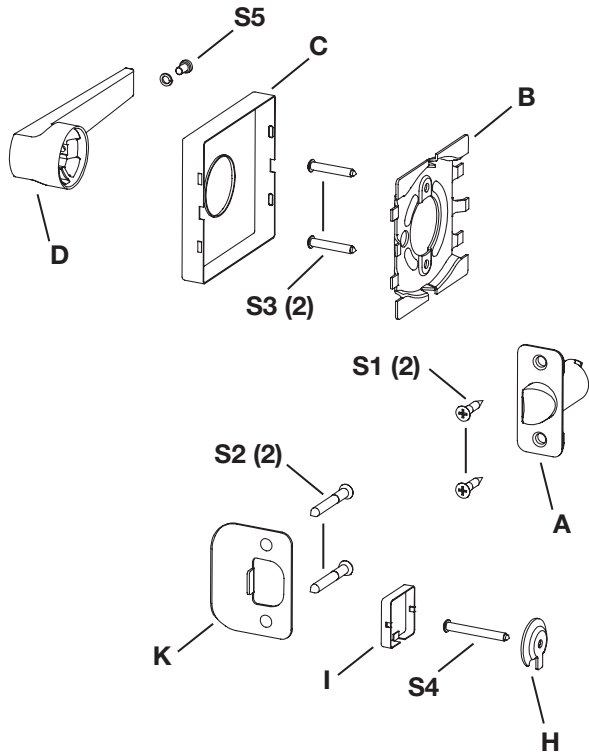


— J - Outside Lower Rose
(Not Included with all Models)

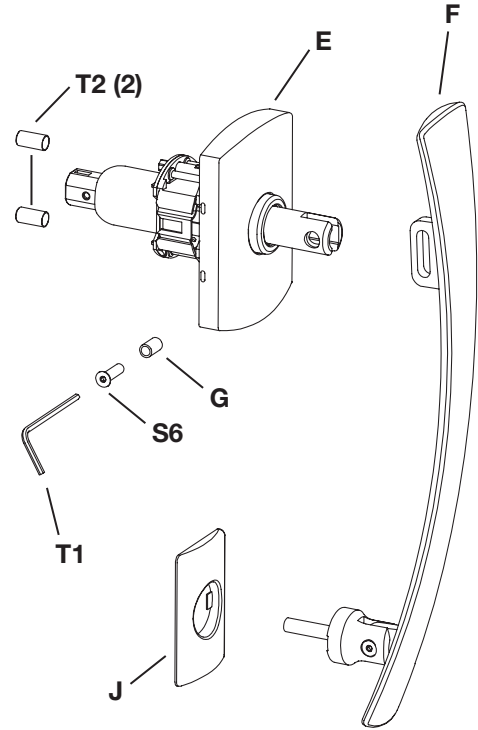


— K - Handle Strike Plate


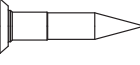

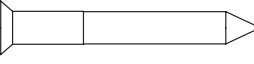

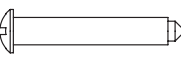

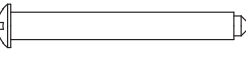



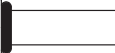
QUESTIONS? CALL 1-800-562-5625 FOR HELP.



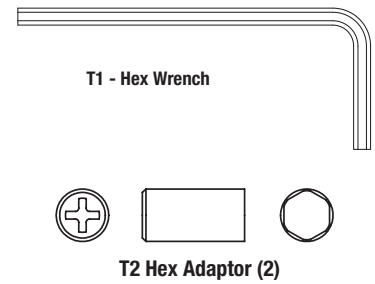
YOUR HANDLESET MAY OR MAY NOT BE SUPPLIED WITH A DEADBOLT OR DEADBOLT EXTERIOR. IF IT IS, PLEASE SEE SEPARATE INSTRUCTIONS FOR DOOR PREPARATION AND INSTALLATION OF THE DEADBOLT.



SCREWS

- S1 Latch Screws (2)  
- S2 Strike Plate Screws (2)  
- S3 Main Lock Body Machine Screws (2)  
- S4 Lower Handle Machine Screw (1)  
- S5 Lever Retention Screw (1) & Lockwasher (1)   Installed in Lever
- S6 Handle Pivot Bolt (with O-Ring) (1)  

TOOLS



**QUESTIONS?
CALL 1-800-562-5625
FOR HELP.**



INSTALLATION & OPERATION INSTRUCTIONS FOR PUSH PULL ROTATE HANDLESETS

FOR PUSH PULL ROTATE ENTRY DOOR HANDLESETS WITH INTERIOR LEVER.

FITS DOORS 1-3/8" (35 mm) TO 1-3/4" (45 mm) THICK.

QUESTIONS? CALL 1-800-562-5625 FOR HELP.

FOR REPLACEMENT INSTALLATIONS ONLY.
FOR NEW INSTALLATIONS, SEE INSTRUCTION 999-00375E_EN



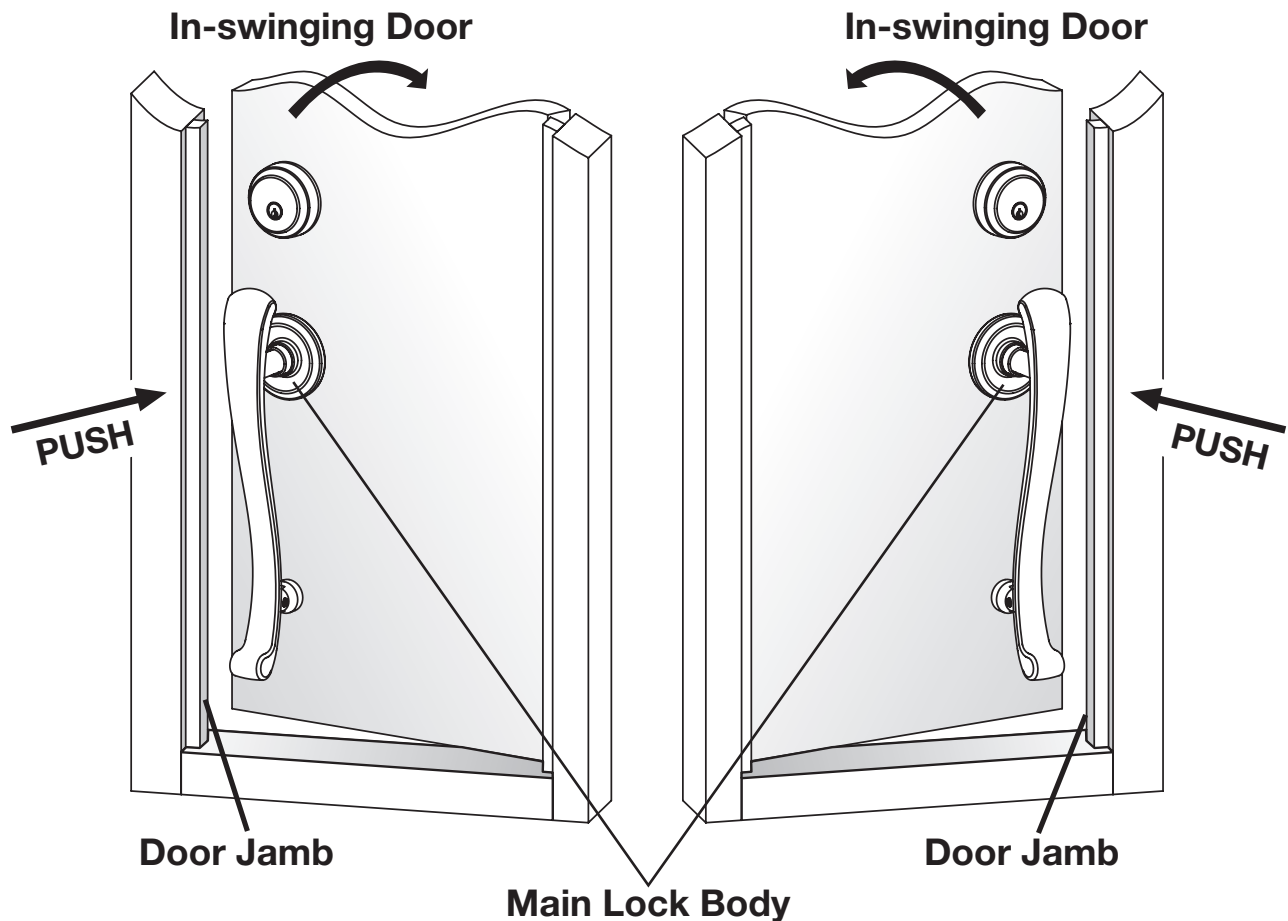
NOTE: INSTALL ON IN-SWINGING DOOR ONLY.

STEP 1

Install on In-Swinging Doors Only

- For Push-Pull-Rotate Handlesets, the Handle Assembly is intended to go on the outside of the door.
- Therefore, the Push-Pull-Rotate Handleset can only be installed on doors that "push" open into rooms (In-Swinging doors.)

View From Outside The Room



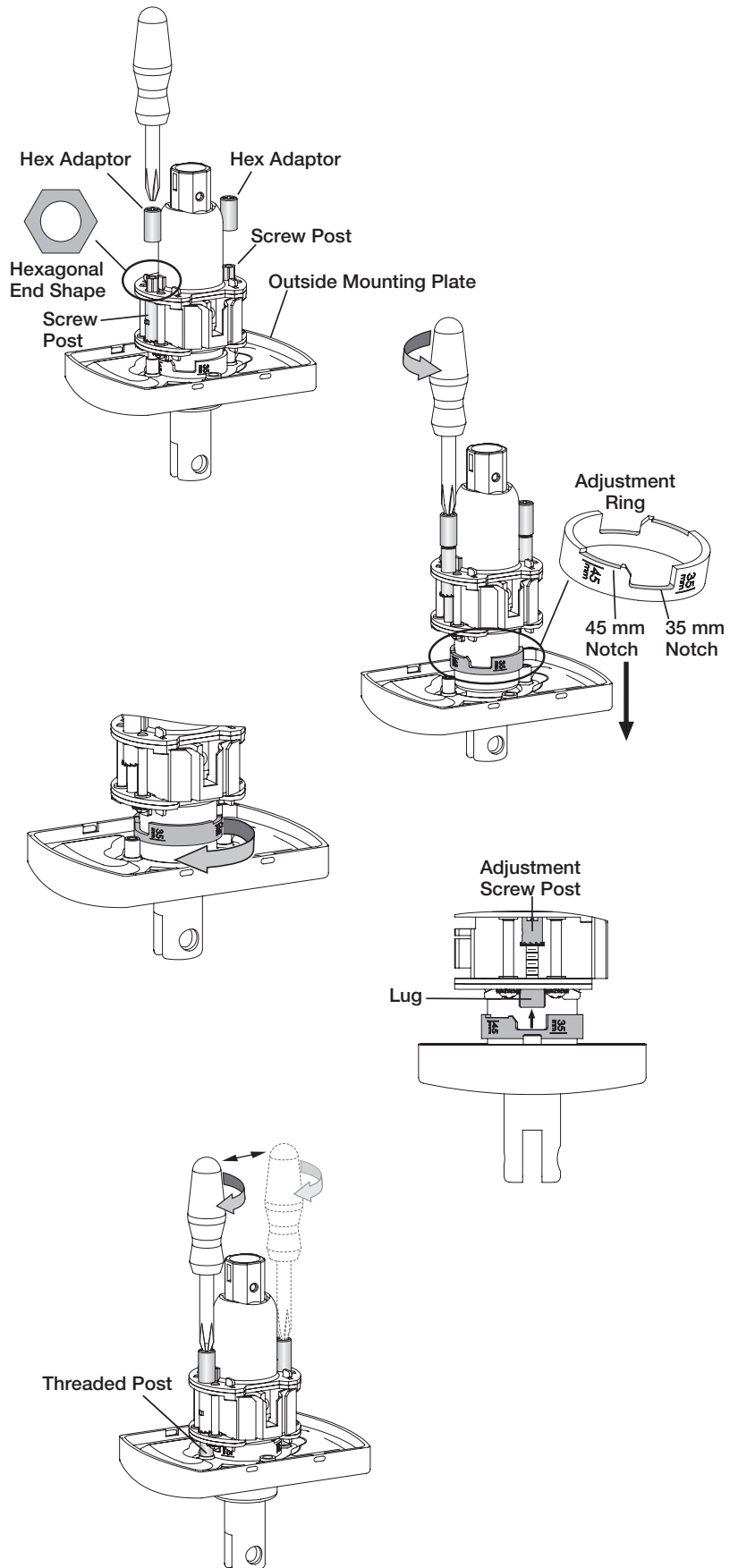


IMPORTANT!

STEP 2 Adjust For Door Thickness

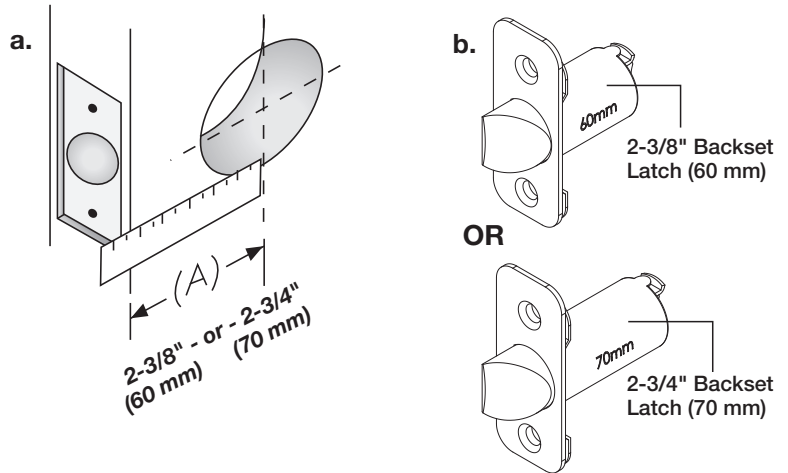
- a. Measure your door thickness. It should be 1-3/8" (35 mm) or 1-3/4" (45 mm). If in between these numbers, round to the nearest of those two thicknesses.
- b. Your lockset is adjusted for a 1-3/4" door at the factory. If your door thickness is about 1-3/4", proceed to Step 3.
- c. If your door is closer to 1-3/8" (35mm) thick, the position of the Outside Mounting Plate must be adjusted. It is held in place by two Screw Posts which have a hexagonal shape on the end; two Hex Adaptors are provided so that a Phillips Head Screwdriver can be used to quickly unscrew the two posts that hold the Mounting Plate.
- d. Slide the Mounting Plate back. Locate the Adjustment Ring and slide it back also.
- e. Rotate the Adjustment Ring until the two 35mm notches on the ring are aligned with the two Lugs on the Main Lock Body. These Lugs are located in line with the Screw Posts.
- f. Slide the Adjustment Ring against the Lugs.
- g. Slide the Outside Mounting Plate back against the Adjustment Ring and secure it by screwing the two Screw Posts back into the Threaded Posts on the Mounting Plate, alternating between the posts so that they are tightened evenly. Tighten them both firmly.

Note: If the Hex Adaptors are lost, an adjustable wrench can be used to loosen and tighten the Screw Posts. Be careful not to overtighten.



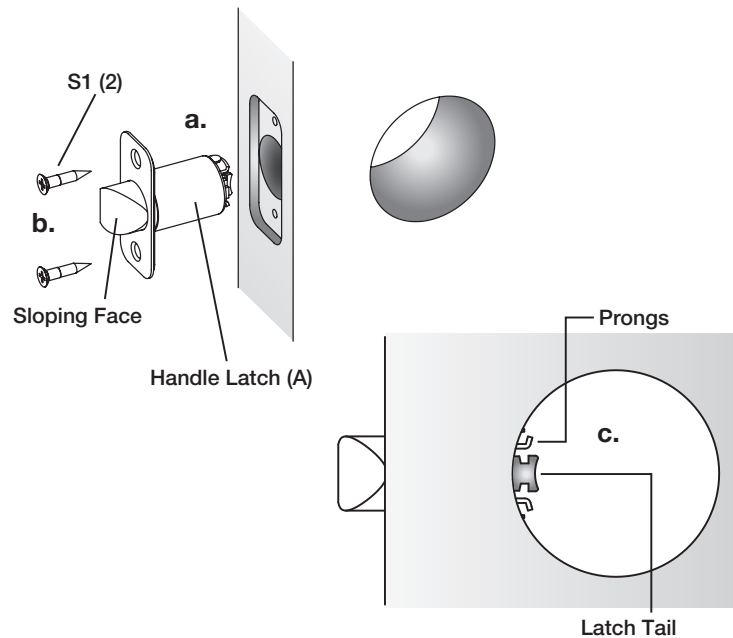
STEP 3 Backset: Select the Correct Handle Latch (A)

- a. Backset is the distance from door edge to center of hole on door face. (See Illustration).
- b. Select the Correct Handle Latch (A). Select the 2-3/8" (60 mm) or 2-3/4" (70 mm) latch based on the backset of your door. (Most residential doors have a 2-3/8" backset.)



STEP 4 Handle Latch (A) Installation

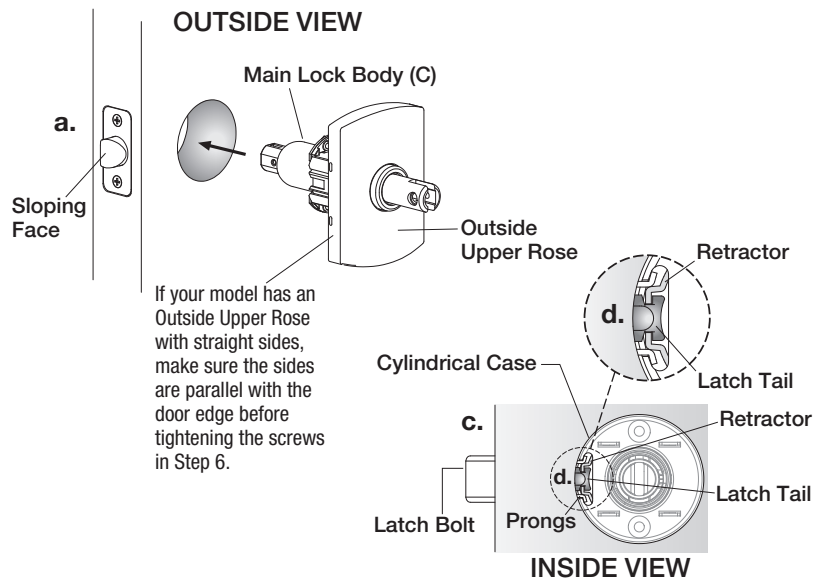
- a. Insert the Handle Latch (A) into the 1" (25.4 mm) hole in the door edge as shown. Be sure the sloping face of the latch bolt is facing towards the door jamb.
- b. Insert two (S1) Latch Screws in the faceplate holes and tighten.
- c. After installation, you should be able to see the Latch Prongs and Latch Tail(s) through the 2-1/8" bore in the door as shown. If not, review Step 3b. Select Correct Handle Latch.



STEP 5 Install the Main Lock Body

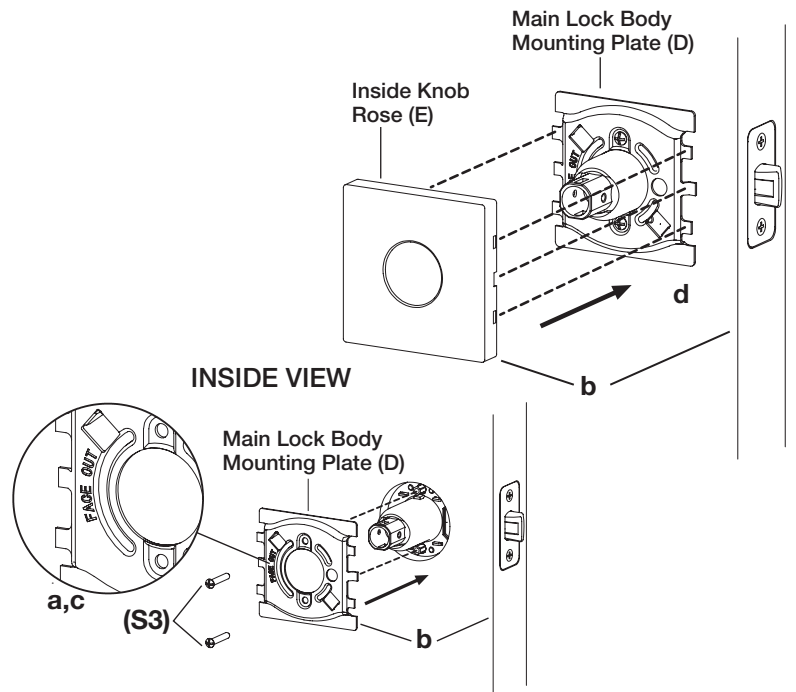
Note: The sloping face of the latch bolt always faces the door jamb and the Main Lock Body (C).

- a. Insert the Main Lock Body (C) through the 2-1/8" (54 mm) hole in the door.
- b. Look through the hole from the inside of the door to guide the Main Lock Body.
- c. Make sure that the Cylindrical Case engages with the Latch Prongs and the Retractor interlocks with the Latch Tail.
- d. Test by pushing the Outside Spindle - the bolt should retract.



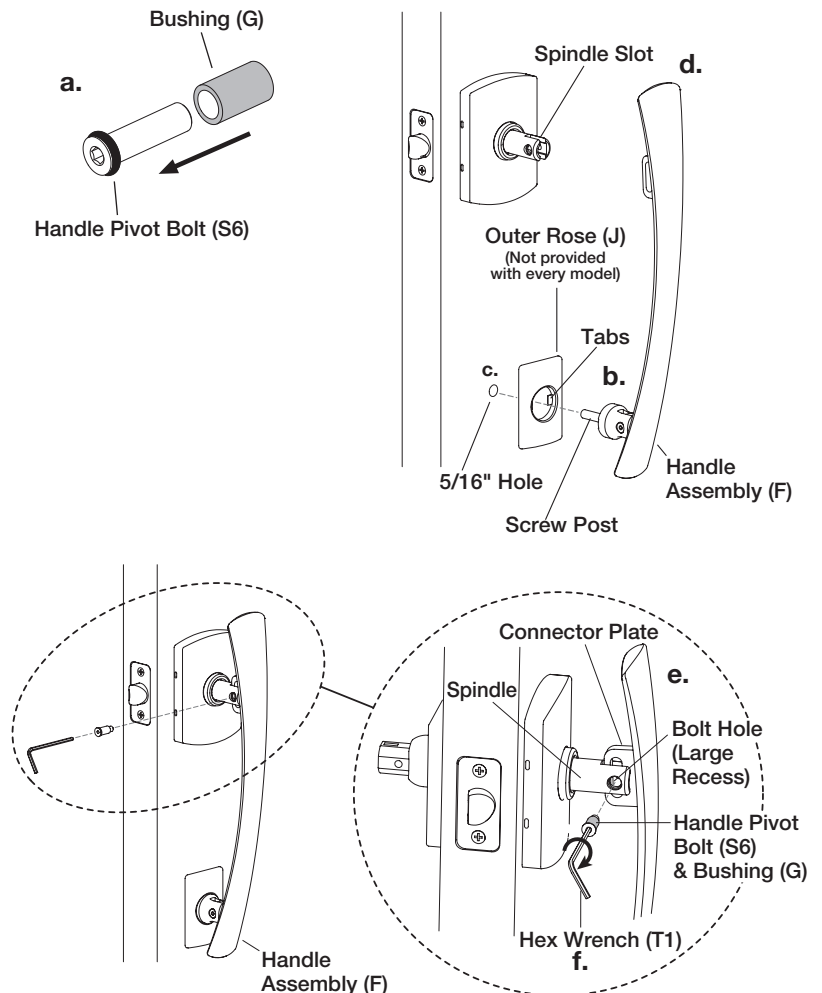
STEP 6 Install the Main Lock Body Mounting Plate and Inside Rose

- Place the Main Lock Body Mounting Plate (D) over the spindle of Main Lock Body (C) with the words 'FACE OUT' visible. Position the plate against the door face with the mounting holes aligned vertically.
- For models with a square or rectangular mounting plate and inside rose, make sure the straight vertical side of the mounting plate is parallel with the door edge before fully tightening the (S3) screws.
- Insert the two (S3) Main Lock Body Machine Screws through the holes in the plate and engage the threaded screw posts of the Main Lock Body (C). After making sure the plate is oriented according to Step 6b, tighten the screws firmly.
- Install the Inside Rose (E) by aligning with the notches on the Mounting Plate and snapping it on.



STEP 7 Install Handle Assembly

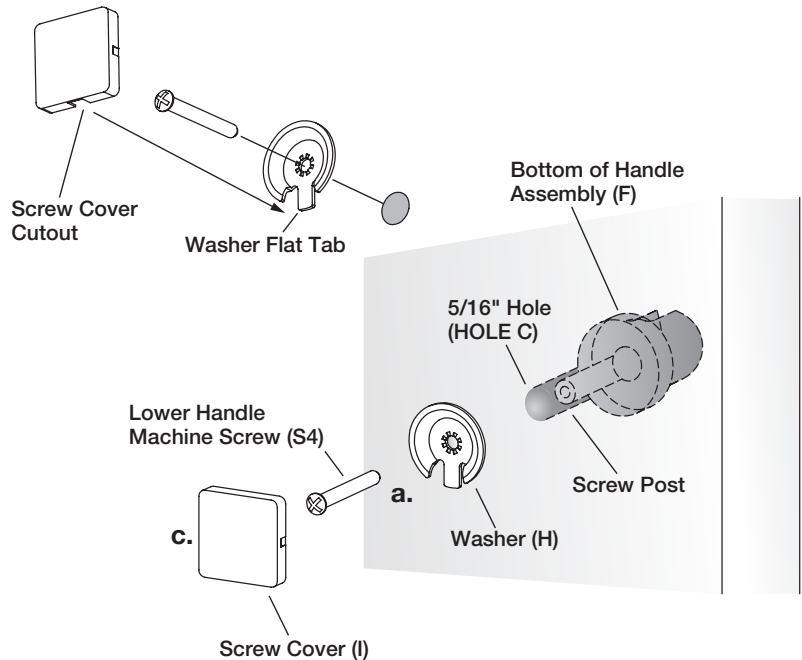
- Install Bushing (G) onto the (S6) Handle Pivot Bolt.
- For models provided with an Outside Lower Rose (J), slip it onto the Mounting Hub. Tabs protruding into the hole in the rose will align with cutouts in the Mounting Hub to keep the rose oriented correctly.
- Insert the Screw Post on the bottom of Handle Assembly (F) into the 5/16" Hole in the door. (Hole C on the template).
- Align the Connector Plate of the Handle Assembly (F) with the Slot in the Spindle and carefully insert the Connector Plate into the Slot. Hold the Handle in place.
- Using the Hex Wrench (T1), insert the (S6) Handle Pivot Bolt and Bushing (G) through the Bolt Hole in the Spindle from the side that has the large recess. This side always faces the latch.
- The (S6) Handle Pivot Bolt will pass through the slot in the Connector Plate until it engages the threads in the opposite wall of the Spindle. Turn the Large Hex Bolt clockwise until the bolt is tightened firmly and is flush with the Spindle.



STEP 8 Install (S4) Lower Handle Machine Screw

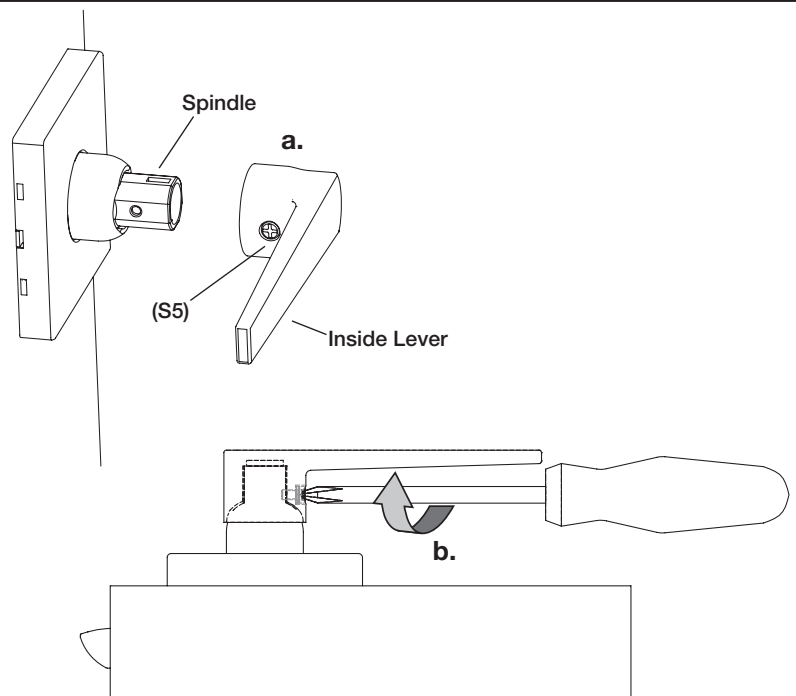
- Insert the (S4) Lower Handle Machine Screw through the hole in the "cup" side of the Washer (H).
- Place the Washer (H) against the door and insert the (S4) screw through the washer and into the 5/16" hole (HOLE C), engaging the threaded screw post of Handle Assembly (F). For best appearance, it is recommended to position the flat tab of the Washer (H) facing down. Tighten the (S4) screw firmly with a Phillips Head screwdriver.
- Snap Screw Cover (I) onto Washer (H).

INSIDE BOTTOM VIEW



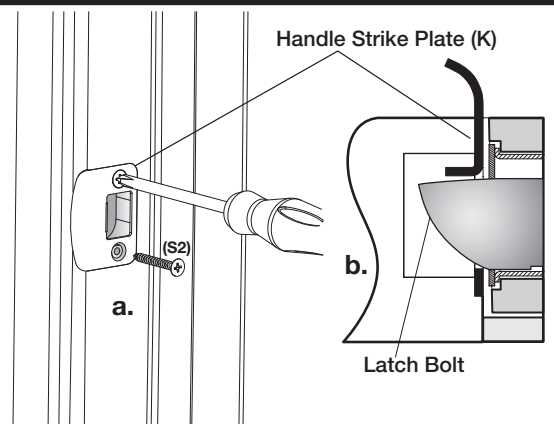
STEP 9 Install Inside Lever

- Push the Inside Lever (D) onto the Spindle of the Main Lock Body (C) until it stops. Make sure the tip of the lever is pointed away from the door edge.
- Tighten the (S5) Lever Retention Screw located on the inside of the lever with a Phillips Head screwdriver.
- Test the security and operation of the lever by pulling it from the end, and/or rotating it up and down. The latch bolt should retract.



STEP 10 Install Handle Strike Plate

- Secure the Handle Strike Plate (K) with two (S2) Strike Plate Screws. Tighten firmly.
- It is important for Push-Pull-Rotate Locks for the Latch Bolt to move freely in and out of the Handle Strike Plate (K).

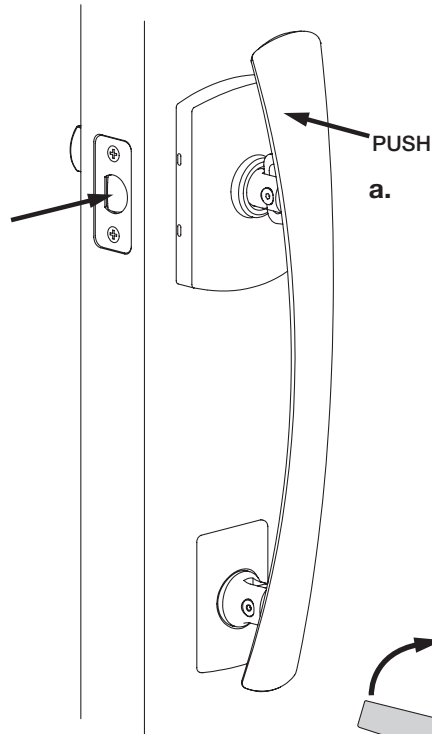


STEP 11 Handleset Operation

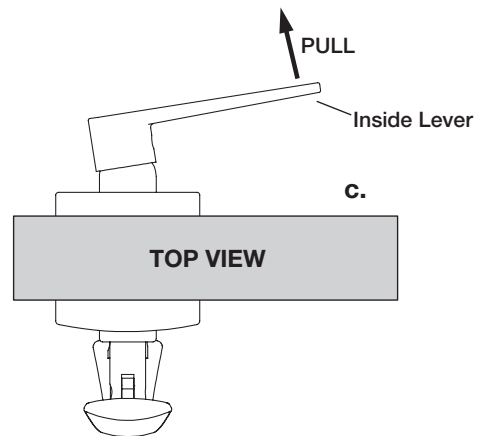
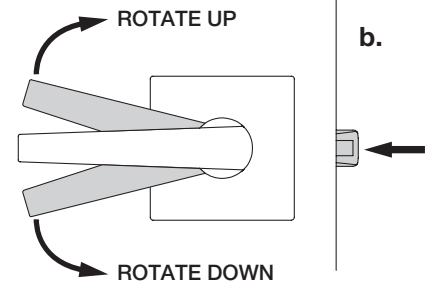
- a. To open the door from the outside, push the upper section of the handle to retract the latch bolt.
- b. To open the door from the inside, rotate the lever either up or down, OR...
- c. Pull the lever to retract the latch bolt.

Tip: Always contact the lever near the end for best leverage.

OUTSIDE VIEW



INSIDE VIEW



LIMITED LIFETIME WARRANTY- This product is warranted by Hampton Products International ("HPI") with a limited lifetime mechanical and finish warranty to the original consumer user of this product against defects in material and workmanship under normal use and service as long as the original consumer user occupies the residential premises upon which this product was originally installed. This warranty does not apply to product: used in commercial or common area applications; used for purposes for which it was not designed or intended; and which has been abused, misused, modified, or improperly installed, operated, maintained, and/or repaired. This warranty does not cover scratches, abrasions, or deterioration due to the use of paints, solvents, or other chemicals. HPI IS NOT LIABLE FOR INCIDENTAL, INDIRECT, OR CONSEQUENTIAL DAMAGES. Some states do not allow the exclusion or limitation of incidental or consequential damages, so the above exclusion may not apply to you. This warranty provides you with specific legal rights and you may also have other rights that vary from state to state. To make a warranty claim, please contact Hampton Care at 1-800-562-5625 or visit our website at www.hampton.care for instructions on how to have the product replaced, exchanged for a similar product of equal value, or repaired.



BRINKS A TRUSTED NAME IN SECURITY SINCE 1859 and all related logos are trademarks or registered trademarks of Brink's Network, Inc, and are used with permission.

999-00370E_EN



50 Icon, Foothill Ranch, CA 92610-3000 USA
1-800-562-5625 • www.Hamptonproducts.com
©2020 Hampton Products International Corp.
www.brinksprr.com
999-00370E_EN_REV B 03/20