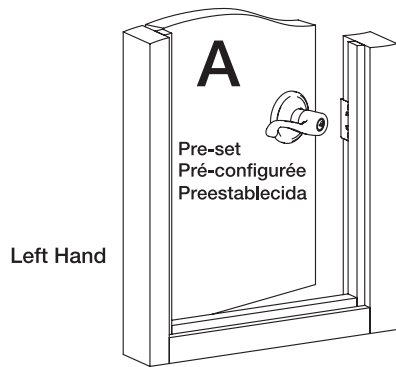


Lever handles are pre-set for doors with left-handed orientation (Illustration A). The right-handed orientation of the lever handle is shown in (Illustration B). If it is necessary to reverse the orientation of the lever handle, follow the instructions below.

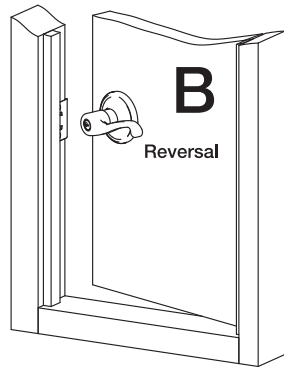
Questions? Call 1-800-562-5625 for help.

Pre-set orientation of lever handle:

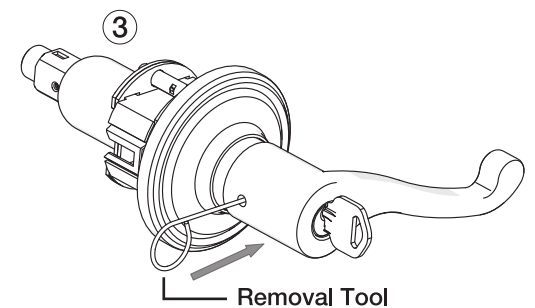
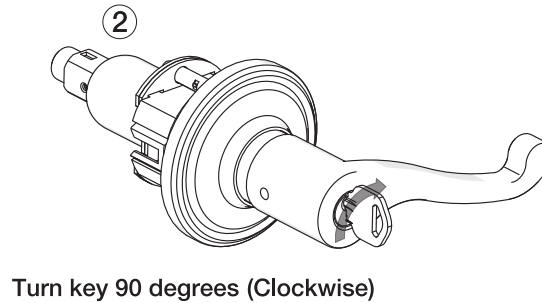
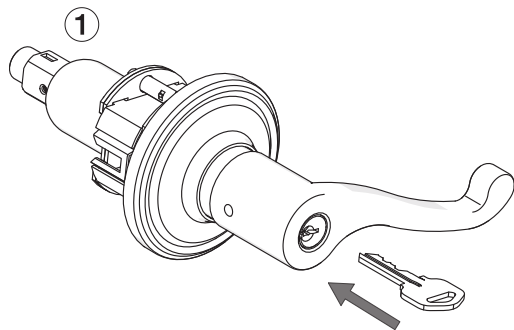
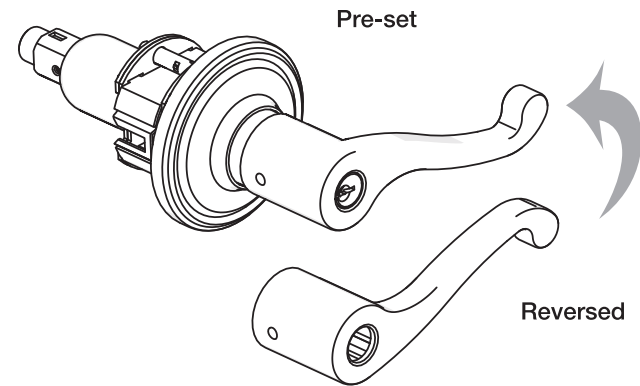


Door shown is inswinging

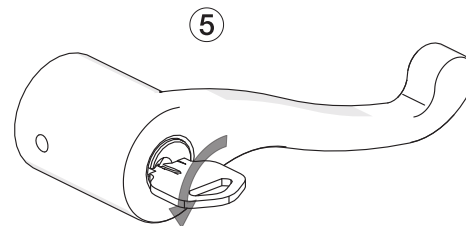
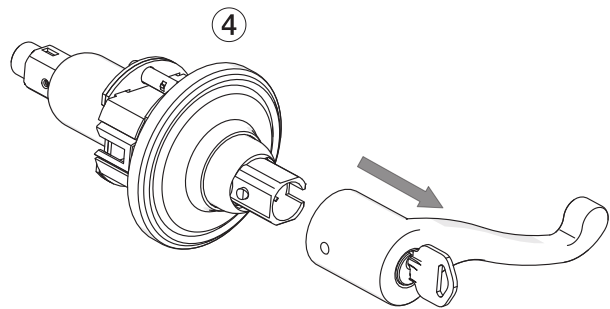
Reverse orientation of lever handle:



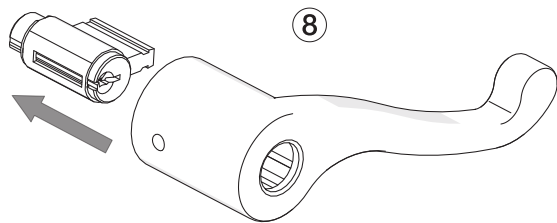
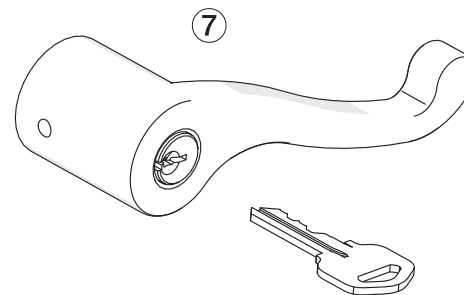
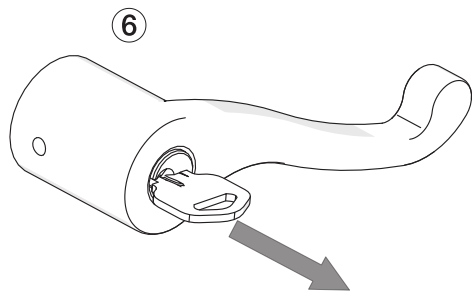
Lever Reversal



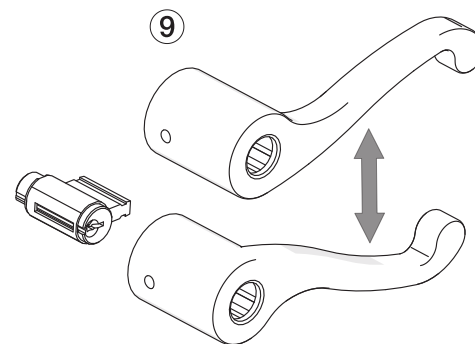
DO THIS STEP BEFORE INSTALLATION.

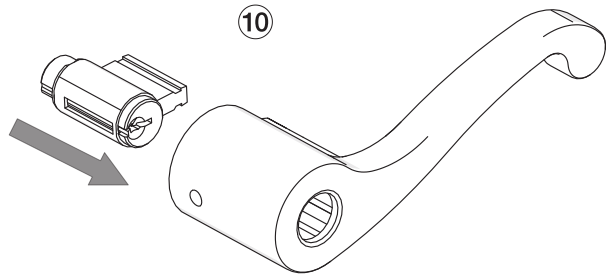


Turn key 90 degrees (Counter clockwise)

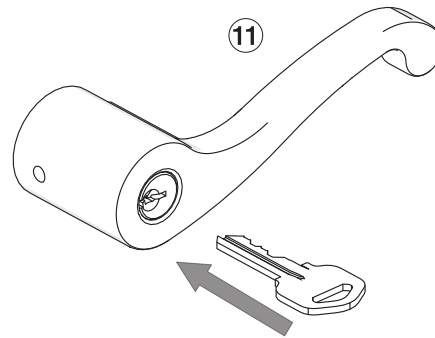


Pre-set lever handle will not be needed

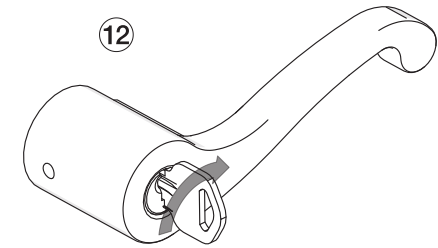




10



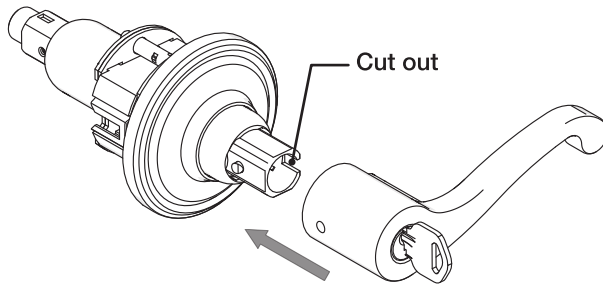
11



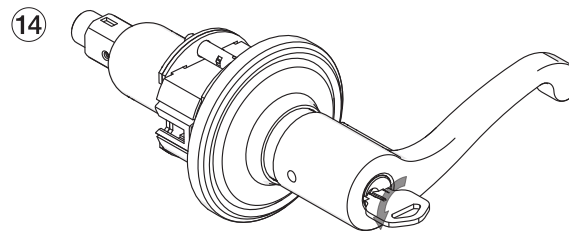
12

Turn key 90 degrees (Clockwise)

13 Align Cut Out on chassis as shown

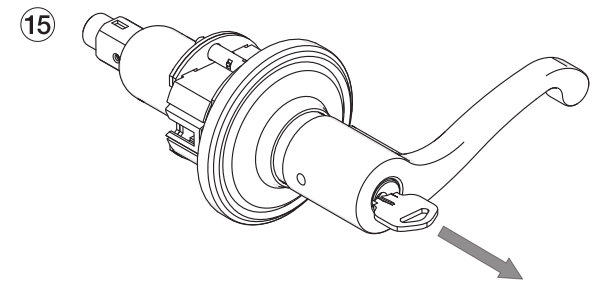


Push lever handle onto chassis until you hear a click



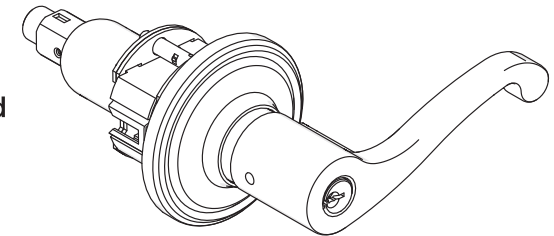
14

Turn key 90 degrees



15

Outside Lever Has Been Reversed



QUESTIONS? CALL 1-800-562-5625 FOR HELP.



BRINKS A TRUSTED NAME IN SECURITY SINCE 1859 and all related logos are trademarks or registered trademarks of Brink's Network, Inc. and are used with permission.

999-00360E_EN_REV B



50 Icon, Foothill Ranch, CA 92610-3000 USA/États-Unis/EE.UU.
email/courriel/correo electrónico: info.hamptonproducts.com
www.brinksprr.com • 1-800-562-5625
©2019 Hampton Products International Corp.
999-00360E_EN_REV B 10/19