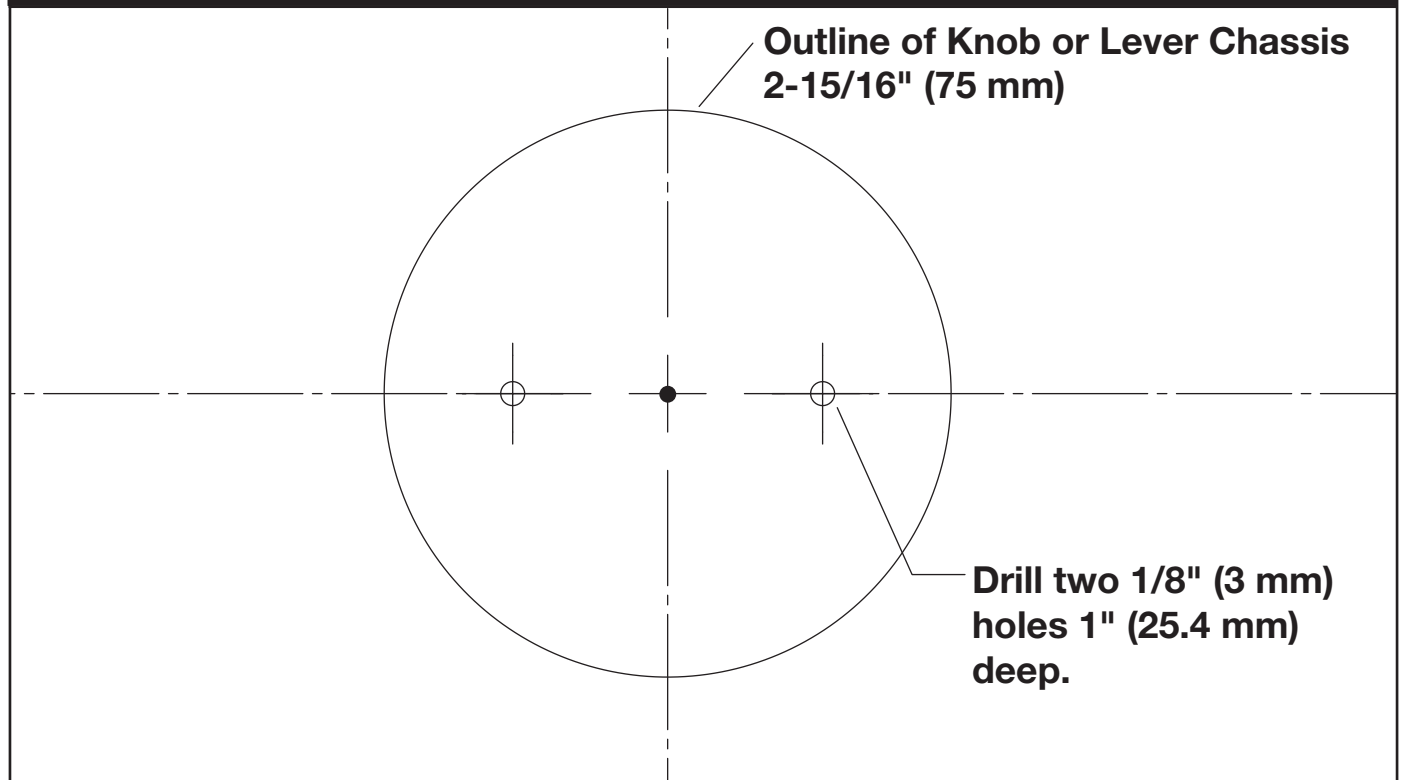


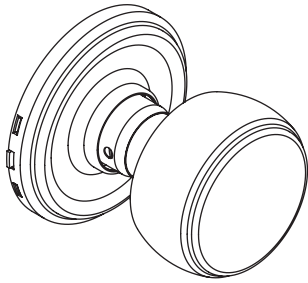
INSTALLATION INSTRUCTIONS FOR PUSH PULL ROTATE DUMMY KNOBS & LEVERS

QUESTIONS? CALL 1-800-562-5625 FOR HELP.

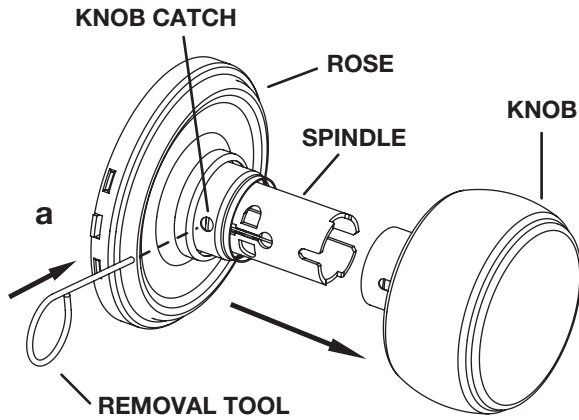
TEMPLATE



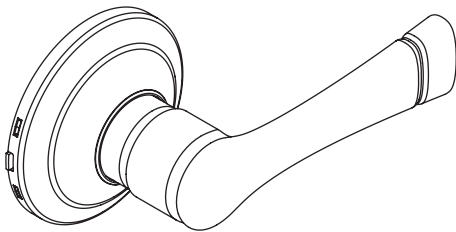
Dummy Knob Removal



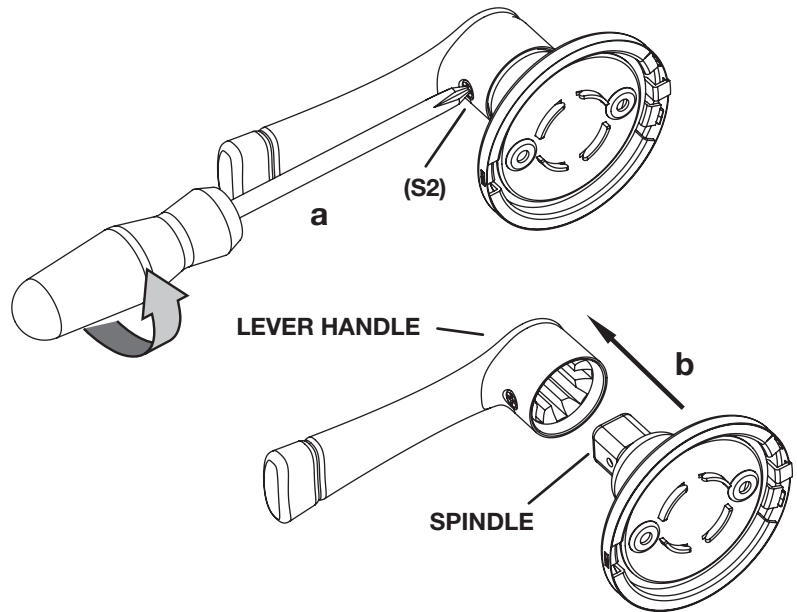
- a. Push the Removal Tool against the Knob Catch to depress it. Pull the knob off the Spindle.



Dummy Lever Removal

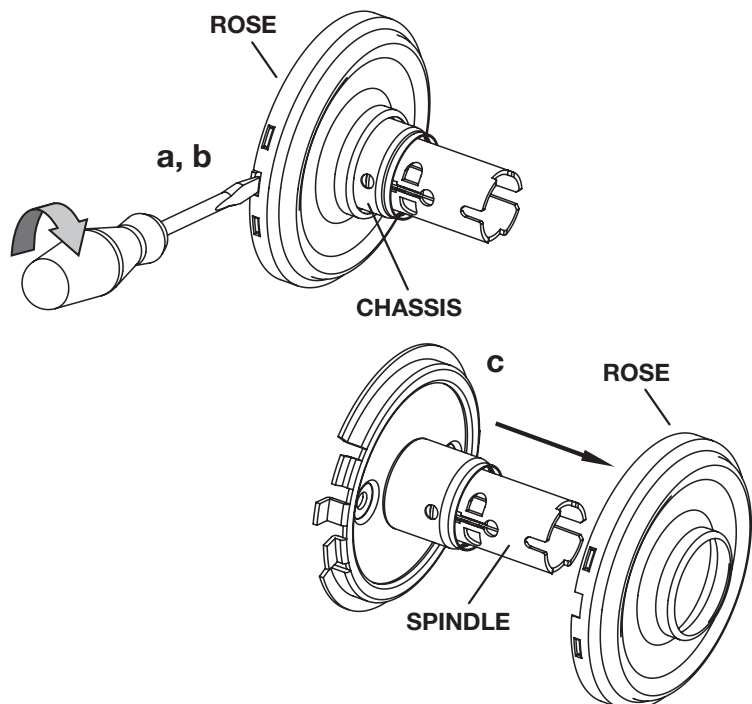


- a. Using a Phillips Head Screwdriver, loosen screw (S2) holding lever but do not remove screw completely.
b. Pull the Lever Handle off the Spindle.



Rose Removal for Dummy Knobs & Levers

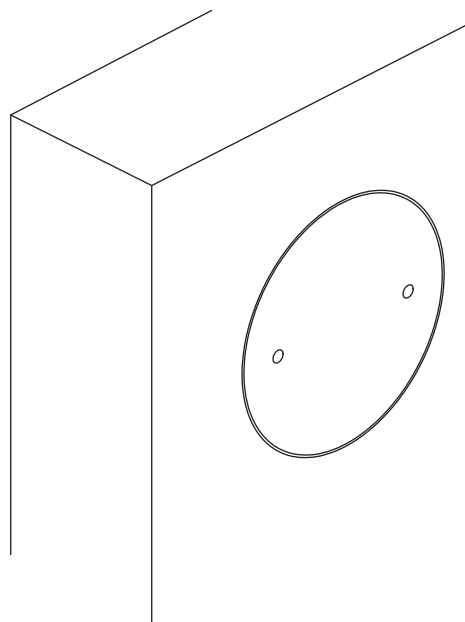
- a. Using a flat head screwdriver, push into the hole in the base of the Rose.
b. Gently rotate the screwdriver to unsnap Rose from the Chassis.
c. Slide the Rose off the Spindle.



Hole Preparation for Dummy Knobs & Levers

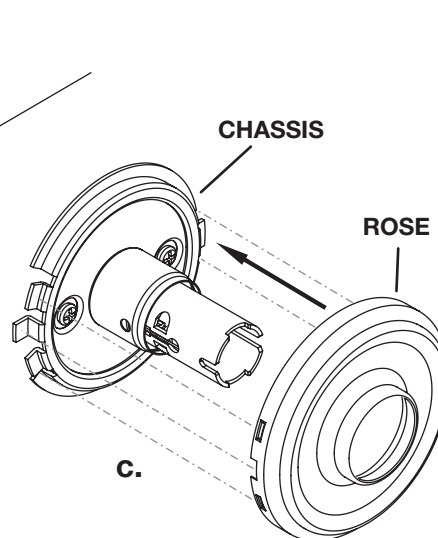
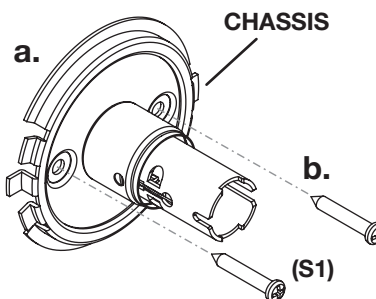
- a. Place the template on the door face in the desired location. Mark the location for the two holes.
- b. Drill two 1/8" holes x 1" deep.

a, b



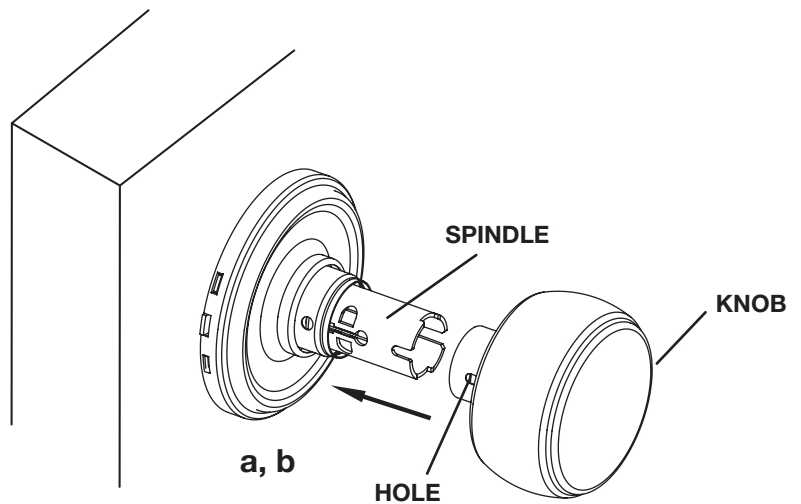
Chassis & Rose Installation for Dummy Knobs & Levers

- a. Place the Chassis on the door face over the drilled holes.
- b. Insert the two (S1) wood screws through the screw holes in the Chassis and tighten firmly.
- c. Install the Rose by aligning with the notches on the Chassis and snapping it on.



Install Knob

- a. Align the hole in the Knob with the hole pattern in the Spindle as shown.
- b. Slide the knob down the Spindle until it clicks into place. Pull on the Knob to make sure it is secure.



Install Lever

- a. Push the Lever Handle onto the Spindle until it stops.
- b. Tighten the (S2) screw located on the inside of the Lever. The screw will engage the Detent in the Spindle.
- c. Pull on the Lever to make sure it is secure.

