

RIP550SHA

REMOTE DISPLAY

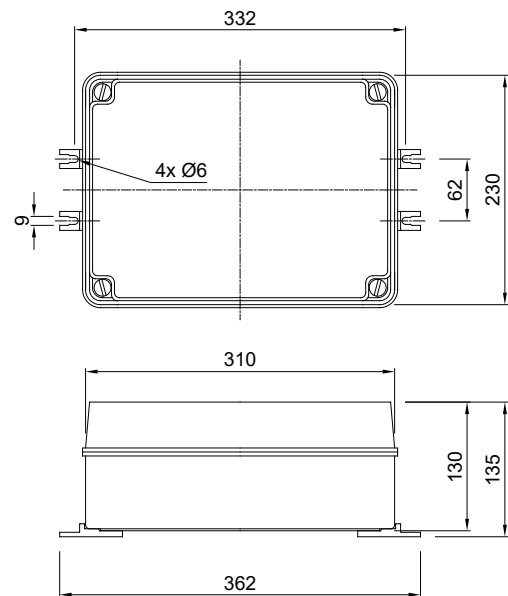
LAUMAS®



DESCRIPTION

- Remote display with big digits display, suitable for wall mounting.
- 5-digit semi-alphanumeric red LED display (57 mm height).
- Plastic box.
- IP56 protection rating.
- Serial ports for transmission protocol.

DIEMENSIONS



TECHNICAL FEATURES

Power supply and consumption	12÷24 VDC; 10 W
Serial ports	RS232, RS422
Baud rate	1200, 2400, 4800, 9600, 19200, 38400, 57600 (bit/s)
Humidity (condensate free)	85%
Storage temperature	-20 °C +50 °C
Working temperature	-10 °C +40 °C



CODE	RIP6100IP65	RIP6100	HDRIP675Y
Power supply and consumption	110÷240 VAC; <10 VA	12 VDC; 1.5 A	230 VAC; 25 VA
Serial ports	RS232/RS485	RS232/RS485	RS232
Dimensions	745x160x50 mm	704x177x30 mm	540x178x54 mm
Baud rate	9600 (bit/s)	9600 (bit/s)	9600 (bit/s)
Humidity (condensate free)	85%	80%	85%
Storage temperature	-20 °C +60 °C	-10 °C +60 °C	-10 °C +50 °C
Working temperature	-10 °C +50 °C	-10 °C +50 °C	0 °C +40 °C
Protection rating	IP65	IP30	IP40



CODE	RIPLD5100	RIP550SHA	RIPDOSMANHA
Power supply and consumption	12÷24 VDC; 20 W	12÷24 VDC; 10 W	12÷24 VDC; 30 W
Serial ports	RS232/RS422	RS232/RS422	RS232/RS422
Dimensions	468x390x130 mm	310x230x130 mm	468x390x130 mm
Baud rate	1200, 2400, 4800, 9600, 19200, 38400, 57600 (bit/s)	1200, 2400, 4800, 9600, 19200, 38400, 57600 (bit/s)	1200, 2400, 4800, 9600, 19200, 38400, 57600 (bit/s)
Humidity (condensate free)	85%	85%	85%
Storage temperature	-20 °C ÷ +50 °C	-20 °C +50 °C	-20 °C ÷ +50 °C
Working temperature	-10 °C ÷ +40 °C	-10 °C +40 °C	-10 °C ÷ +40 °C
Protection rating	IP56	IP56	IP56