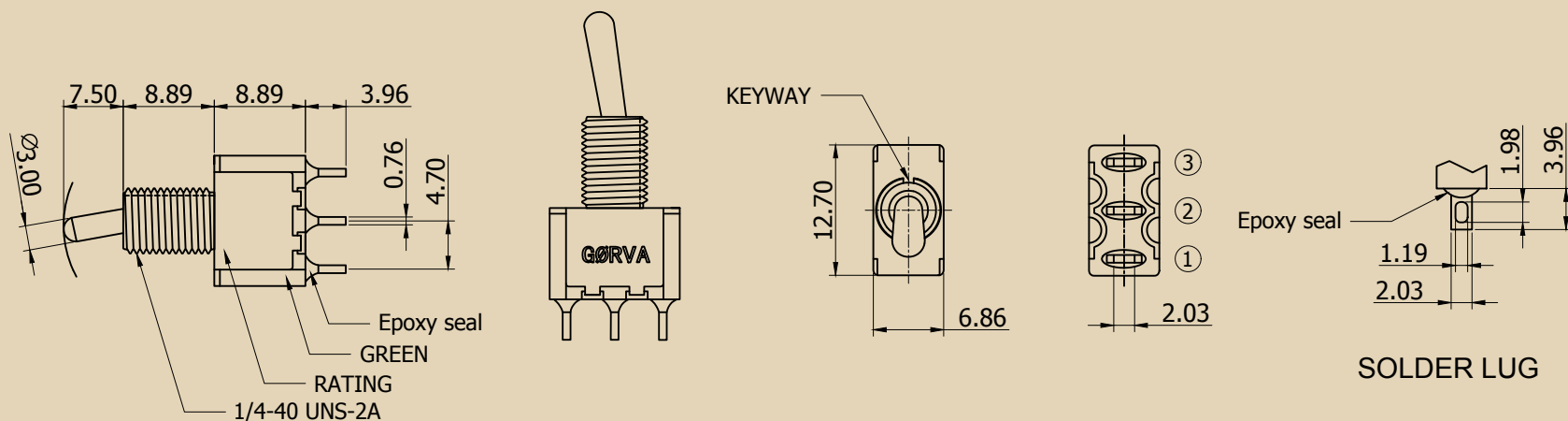


DIMENSIONS

Unit = mm



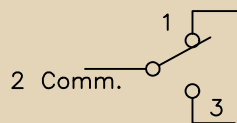
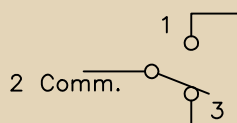
FUNCTION



Position 1 - ON
2-3

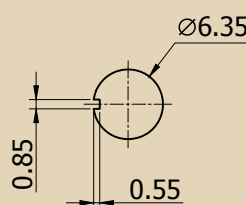


Position 2 - ON
2-1

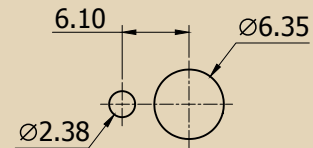


MOUNTING

Unit = mm



Without locking ring.



With standard locking ring

PANEL MOUNTING

MATERIALS

- Case:** Diallyl Phthalate (DAP) (UL94V-0)
- Actuator:** Chrome plated brass
- Bushing:** Chrome plated brass
- Housing:** Stainless steel
- Contact terminals:** Silver plated copper alloy

SPECIFICATIONS

- Mechanical Life:** 40,000 make-and-break cycles
- Contact Resistance:** 10mΩ max. Initial @ 2-4VDC 100mA for both silver and gold plated contacts
- Insulation Resistance:** 1,000MΩ min.
- Dielectric Strength:** 1,000 Vrms min. @ sea level
- Operating Temperature:** -40°C to 85°C

BASCULER

Model BM-SPDT-1-1

Medium Shaft Length Mini
Single Pole Double Throw (on-on)

GØRVA
design

Premium Effect Pedal Parts

Made in Taiwan

RoHS Compliant & Lead-Free