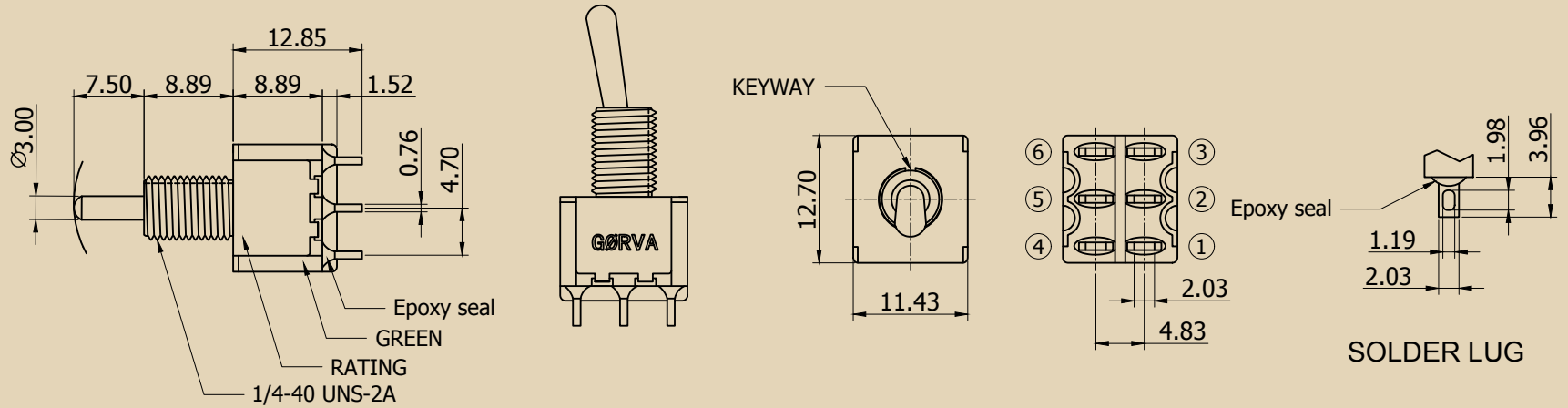


DIMENSIONS

Unit = mm

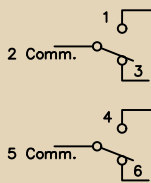


FUNCTION



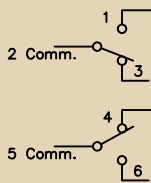
Position 1 - ON

2-3, 5-6



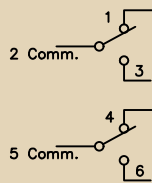
Position 2 - ON

2-3, 5-4



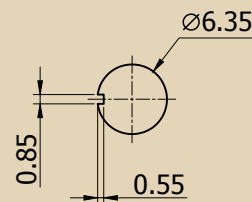
Position 3 - ON

2-1, 5-4

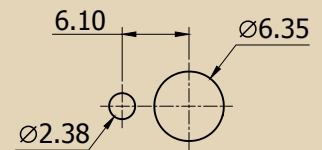


MOUNTING

Unit = mm



Without locking ring.



With standard locking ring

PANEL MOUNTING

MATERIALS

Case: Diallyl Phthalate (DAP) (UL94V-0)

Actuator: Chrome plated brass

Bushing: Chrome plated brass

Housing: Stainless steel

Contact terminals: Silver plated copper alloy

SPECIFICATIONS

Mechanical Life: 40,000 make-and-break cycles

Contact Resistance: 10m Ω max. Initial @ 2-4VDC
100mA for both silver and gold plated contacts

Insulation Resistance: 1,000M Ω min.

Dielectric Strength: 1,000 Vrms min. @ sea level

Operating Temperature: -40°C to 85°C

BASCULER

Model BM-DPDT-111

Medium Shaft Length Mini

Double Pole Double Throw (on-on-on)

GØRVA
design

Premium Effect Pedal Parts

Made in Taiwan

RoHS Compliant & Lead-Free