



# STEWART ENGINEERING

**THE SUNBEAM SPECIALISTS**

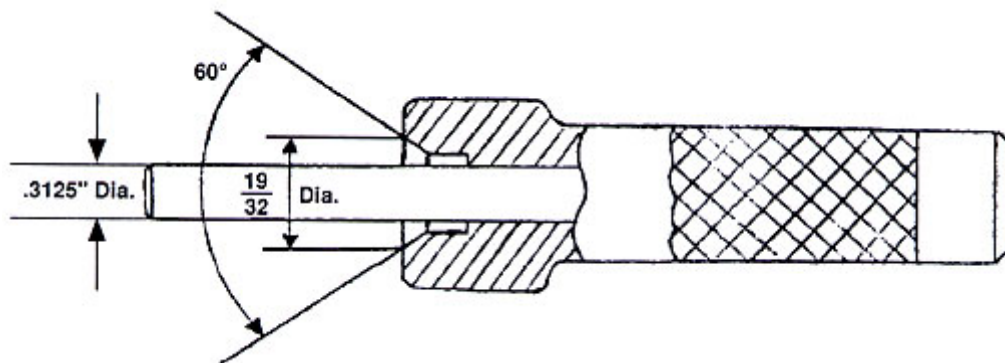
## Sunbeam Service Sheet No. 16

**Subject: Valve Guide Fitting**

**Date: June 1956**

The current type of Valve Guide, Part No. 89-762, which supersedes 89-307, has the upper end tapered off to a knife edge to prevent excess oil passing down the guide.

To avoid damaging this when fitting the guides to the cylinder head, a Valve Guide Assembly Punch, Part No. 61-3487, should be used.



SERVICE DEPARTMENT  
B.S.A. CYCLES LIMITED