



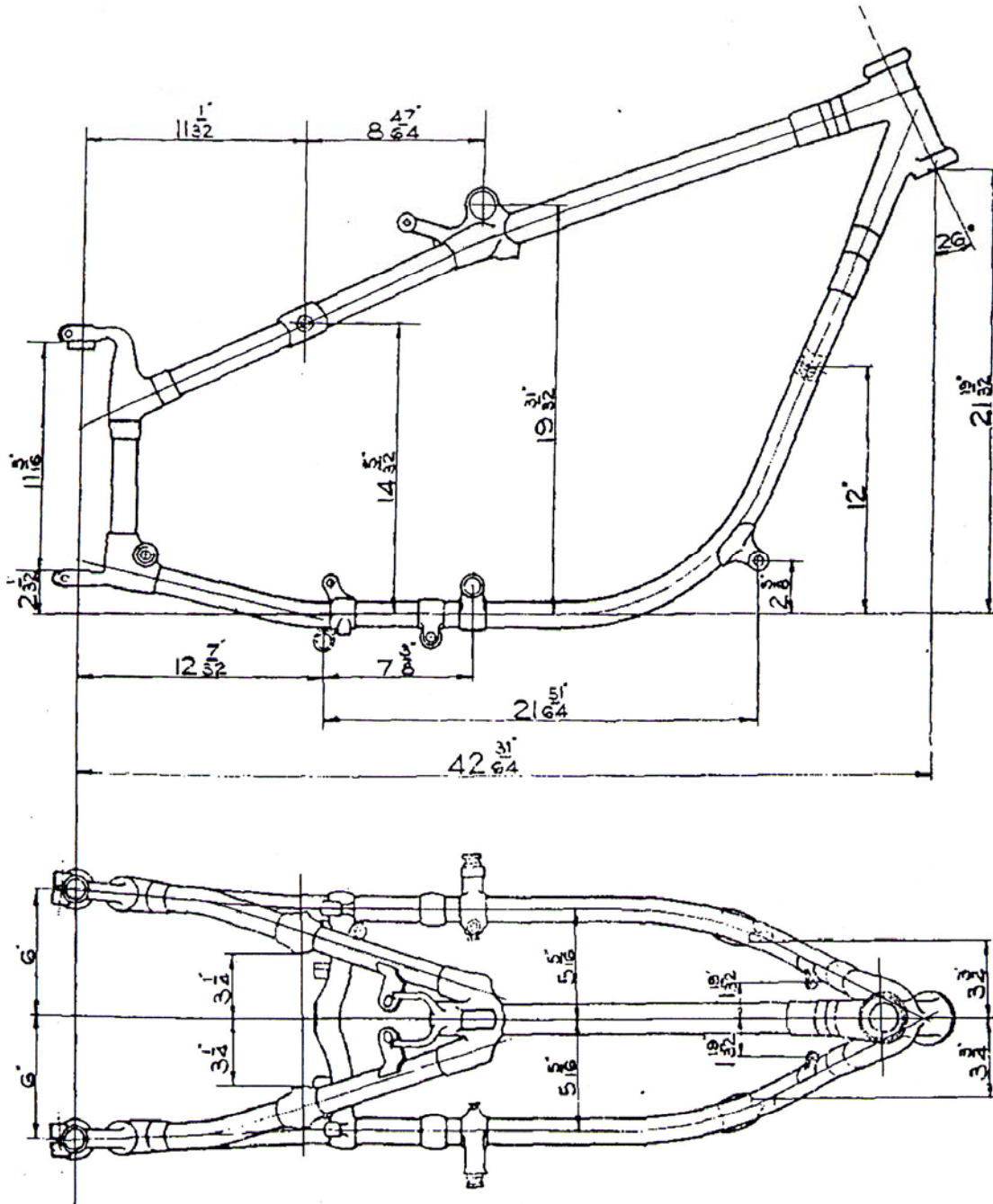
STEWART ENGINEERING

THE SUNBEAM SPECIALISTS

Data Sheet No. 9

Subject: Frame Dimensions (S.7 - 1948)

Date: June 1992



MODEL:- S.7 1948.