



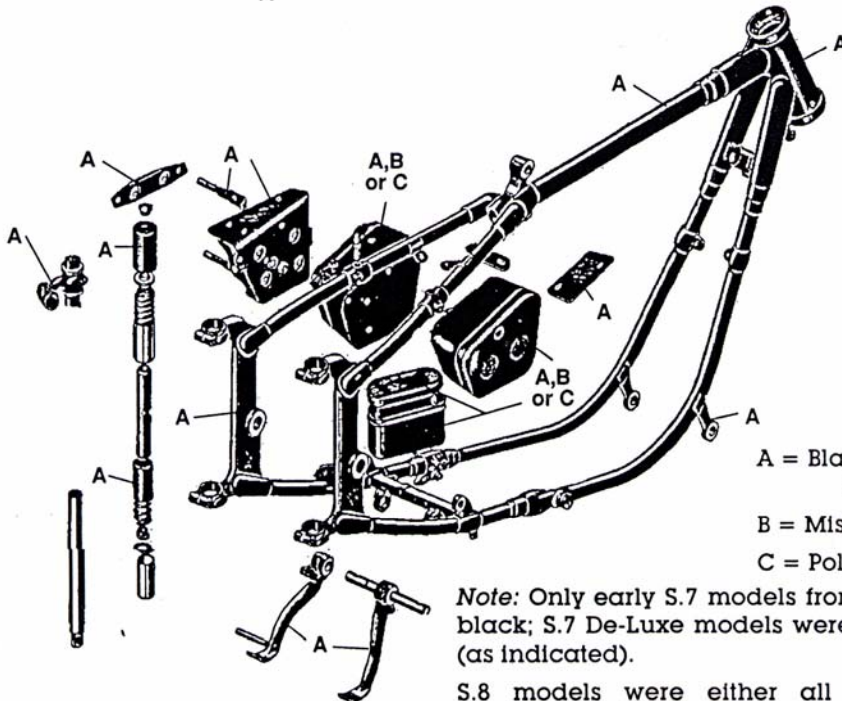
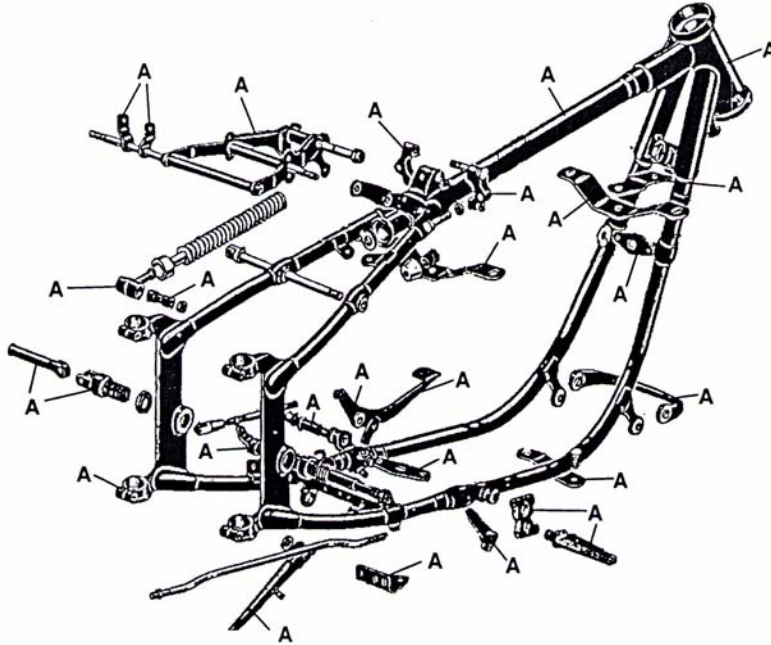
STEWART ENGINEERING

THE SUNBEAM SPECIALISTS

Data Sheet No. 12

Subject: Paintwork (S.7 & S.8)

Date: June 1992



A = Black S.7 or S.8 (see notes below)

B = Mist Green S.7 only

C = Poly. Grey S.8 only

Note: Only early S.7 models from 1946 to 1948 were all black; S.7 De-Luxe models were mist green-and-black (as indicated).

S.8 models were either all black or Polychrom. Gunmetal Grey-and-black (as indicated)



STEWART ENGINEERING

THE SUNBEAM SPECIALISTS

