



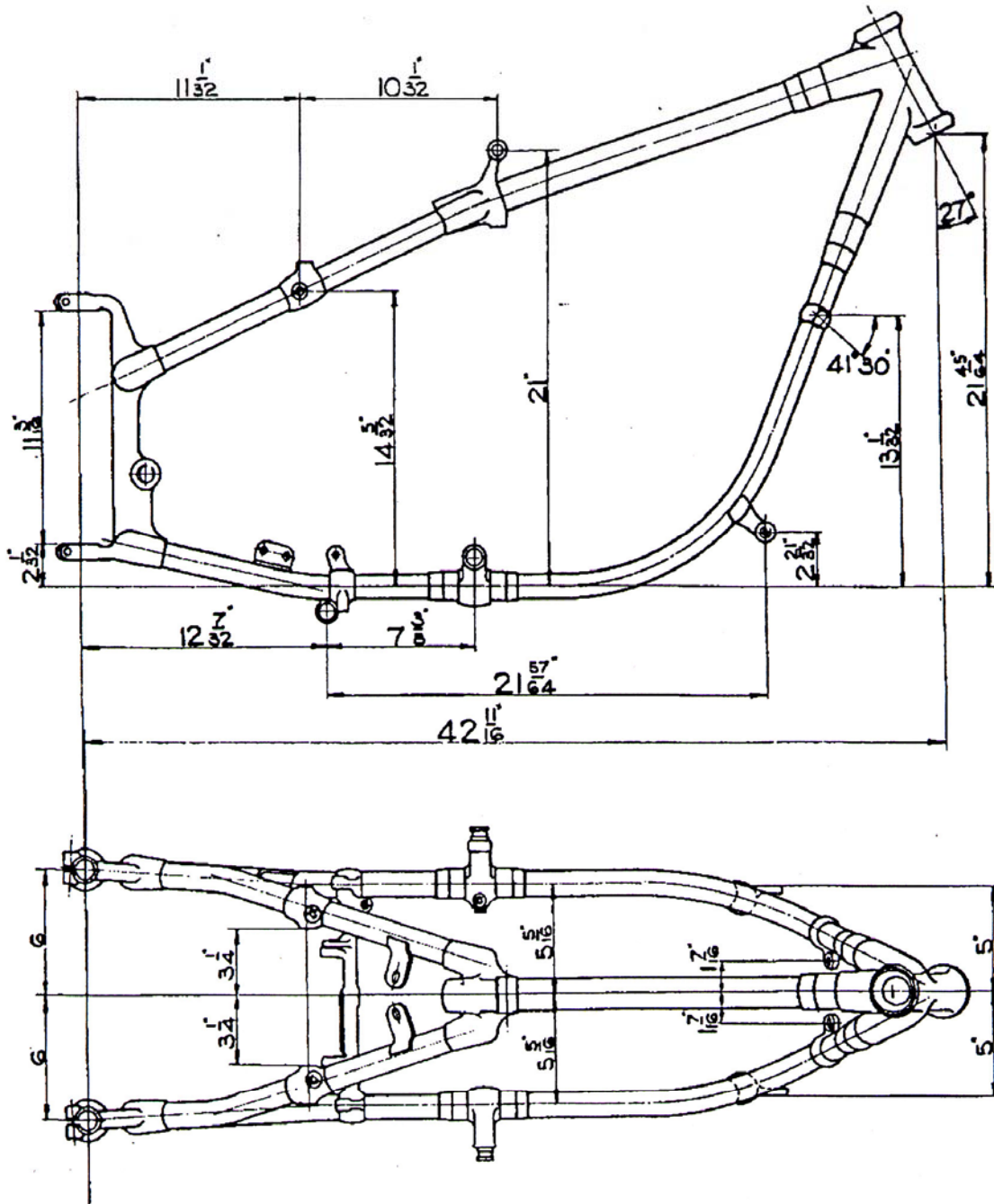
# STEWART ENGINEERING

**THE SUNBEAM SPECIALISTS**

## Data Sheet No. 11

Subject: Frame Dimensions (S.8 1949)

Date: June 1992



Model S.8 1949