

Acoustic panels

Installation guide

This guide will help you install our acoustic panels. Make sure to use the advised tools, take your time and the result will be perfect.

Step 1 - Determine installation method

There are two possible ways to install our panels. Which one is more suitable for your application is determined by your specific wishes and the characteristics of your wall.

Installation with construction adhesive (kit)

Pro's

- Easy installation, minimal tools required
- Fast application. Can be completed in a matter of minutes.

Con's

- If you decide to remove the panels in the future adhesive residue or small damage to the wall finishing might be possible.

Or

Installation with screws directly on the wall

Pro's

- Only small holes are drilled in the wall, possibility to repair holes in case of panel removal

Con's

- Prolonged installation time due to amount of screws and plugs
- (Power) tools needed

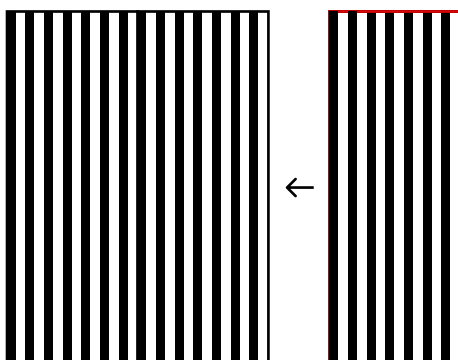
There is no need to create a wooden batten frame unless you want to add an extra layer of thermal or acoustical insulation or absorption behind the acoustic panels.

Step 2 - Panel orientation

We advise placing our panels directly next to each other on your walls to achieve the best looking result. Our panels can be mounted vertically or horizontally. Prepare the wall by removing any screws, nails and other obstacles on the wall.

The panels have a felt side and a lamella side. When you mount the panels in continuation of each other you need to make sure that the felt side from one panel is joined with the lamella side on another panel.

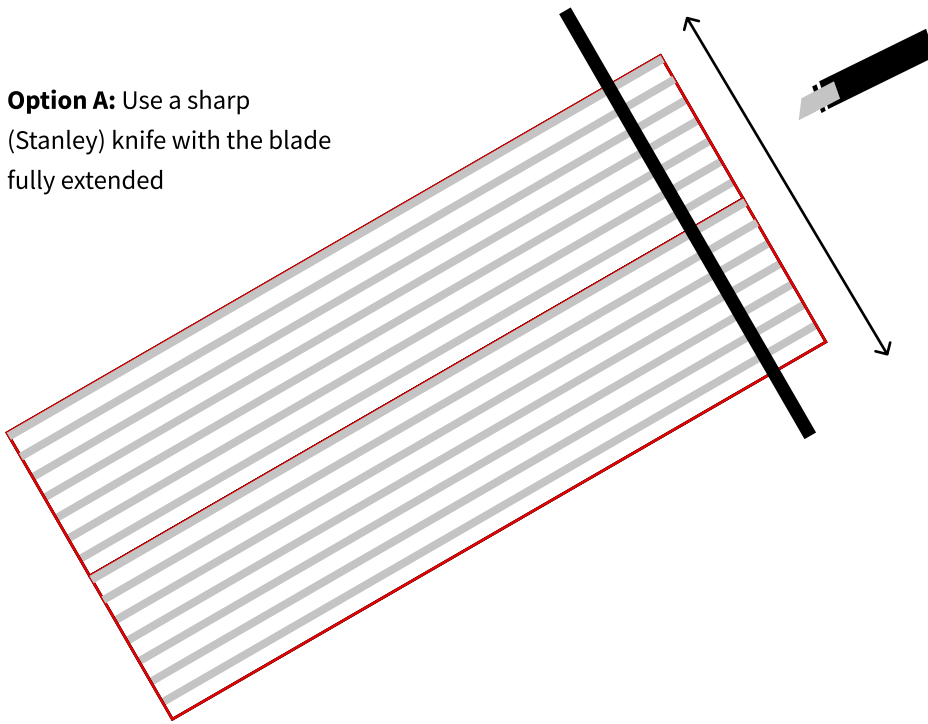
Example:



Step 3 - Adjusting panel length or width (skip if not applicable)

You can adjust the width or height of our panels by cutting the panel in the felt using a sharp knife, with a new knife blade, or circular saw with a sharp hardwood blade. Make sure to place the acoustical panel upside down (lamella facing down) on top of a expendable cutting board before cutting or sawing.

Option A: Use a sharp (Stanley) knife with the blade fully extended

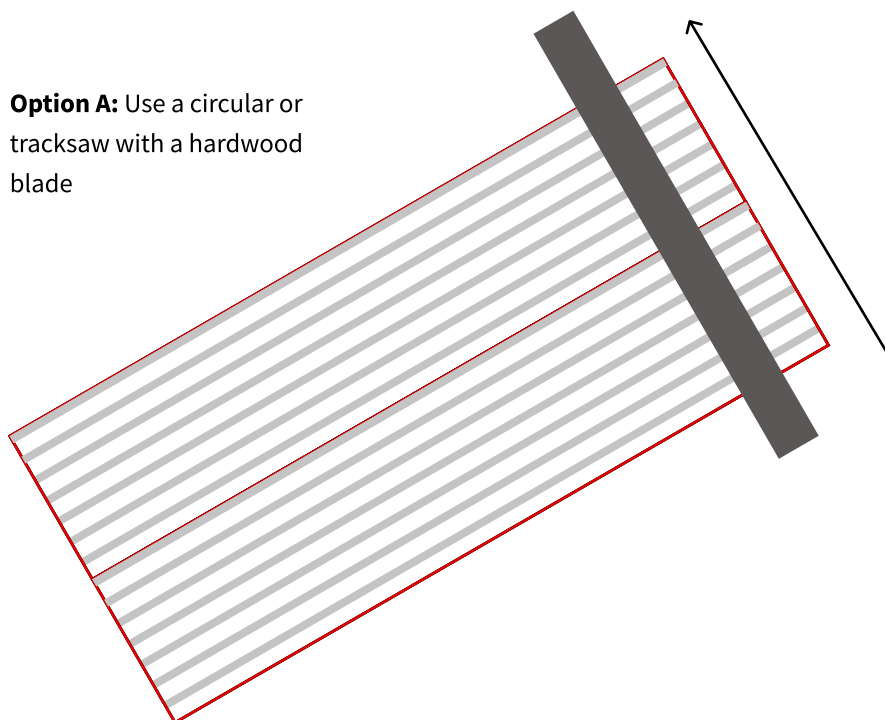


Knife: Don't try to cut the panels in one stroke/go.

Instead apply light pressure and repeat the cutting manoeuvre until the knife has completely cut through the acoustical felt. Make sure the knife is held perpendicular to the panels.

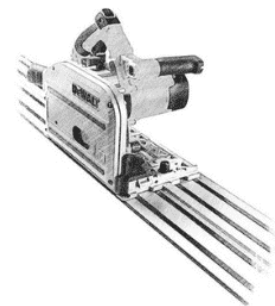
Or

Option A: Use a circular or tracksaw with a hardwood blade



Tracksaw or circular saw:

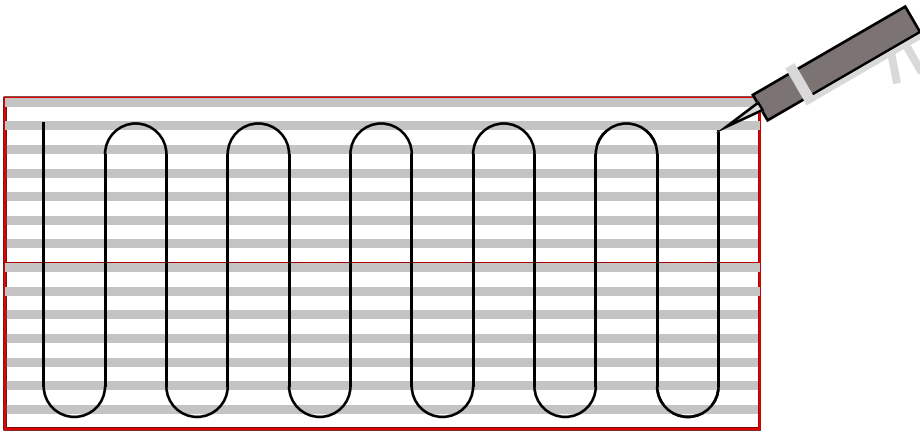
Set the correct depth and slowly saw through the panel. Usage of dust collection is advisable



Step 4 - Apply to the wall

Option A: With Adhesive glue (Kit)

When choosing to install panels with construction adhesive, we advise you to use a high tack construction adhesive. To apply the adhesive, place panel on a clean, flat surface with the slats facing down. Evenly distribute kit, as pictured below.

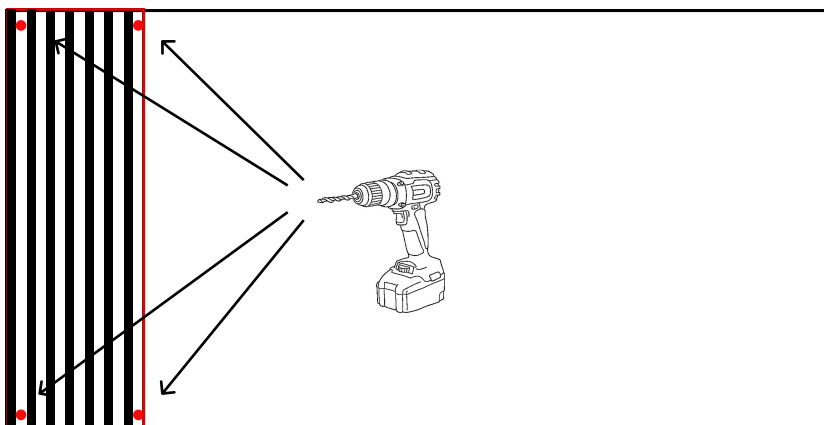


Now gently press the panel in place against the wall. Starting from the ground if mounted on top of each other in horizontal direction. Hold the panel for 3min to let the high tack adhesive form it's initial bond and then all should be firmly secured. Let rest for at least 1 day before bonding is complete.

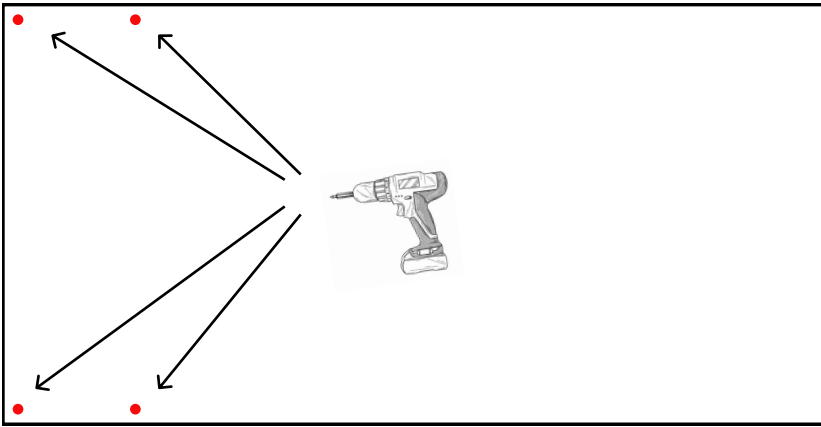
You are done!

Option B: With screws

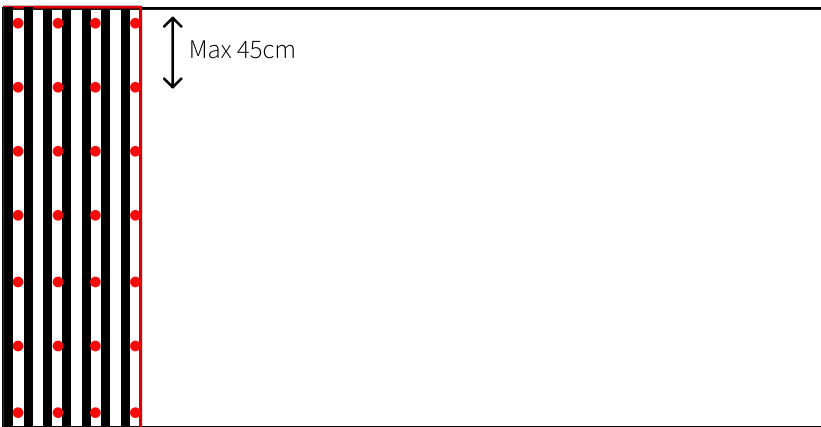
Start by placing the panel against the wall and use a small size concrete drill to drill through the panel backing and touch the wall enough to mark the hole. Do this for all 4 corners.



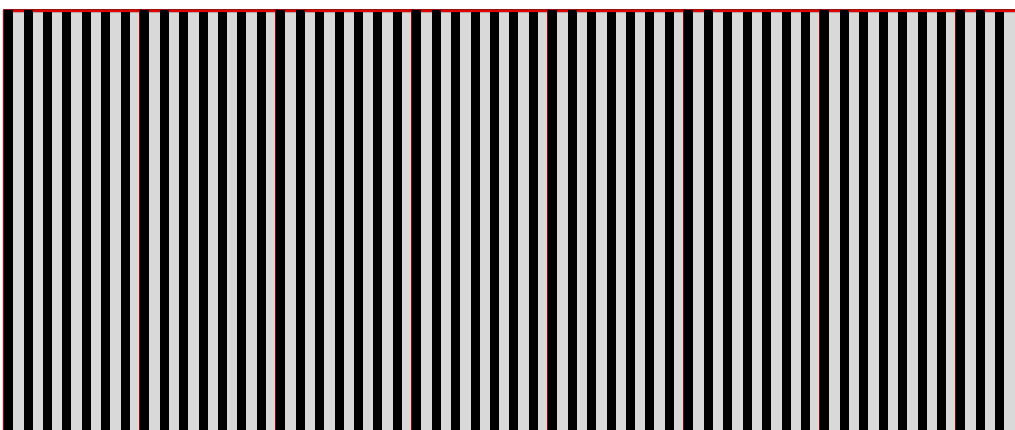
Now remove the panel and drill the holes in the wall with the correct type of plug if necessary.



Once completed, reposition the acoustic panel against the wall and screw it in place with the four screws. Check if everything is correct and proceed with drilling the holes and marking the wall for the remainder of screws.



We recommend placing 4 screws horizontally per panel. Maximum 45 cm between horizontal lines of placement. Repeat for every acoustical panel until the end of the wall.



Enjoy your nice and warm sounding space!