

Installation & Operation Manual

HANDS-FREE BLUETOOTH MEDIA INTEGRATION KIT

TranzitBLU HF

ISFM2351



Note to Readers,

The information contained within this document is subject to change without notice. Features discussed herein may be revised and/or updated to reflect mobile device compatibility fixes, as well as firmware revisions. To ensure that you have the most recent version of the product documentation, please download the PDF file from the product support section of www.iSimple.com, or consult the User Manual section of the TranzItBLU HF application installed on a compatible mobile device.

Installation Videos Available

iSimple.com

Visit us on Facebook

<https://www.facebook.com/isimplesolutions>



TALK



LISTEN



CHARGE



CONTROL



INSTALL

Table of Contents

1. Introduction	4
2. Contents	4
3. Installation	4-5
I. Microphone	4
II. Control Button	4
III. Wiring	4
IV. DIP switch Configuration	5
V. LED functions / meanings	6
4. Phone Setup	6
I. Bluetooth Pairing	6
II. Smartphone Application	6
5. User Operation	6-7
I. Controlling your Smartphone via the Tranzit BLU HF	6-7
6. Troubleshooting	8
7. Warranty Information	11

1. Introduction

Thank you for purchasing the iSimple ISFM2351 as your smartphone connection solution. Tranzit BLU HF uses a Bluetooth connection to provide increased safety and entertainment. Answer incoming calls or launch VR to access your smartphone's functions at the press of a button, without handling your phone. Enjoy your favorite music without the hassle of wires cluttering up your vehicle. ISFM2351 streams your music to your car's sound system wirelessly and provides easy playback control; including play and next track.

2. Contents

- a. Radio Input Module
- b. Microphone
- c. Control Button
- d. Wiring Harness

3. Installation

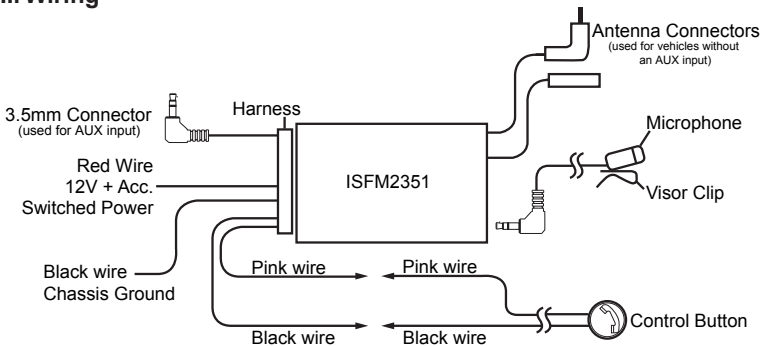
I. Microphone

Tranzit BLU HF has a small microphone which will be used for your hands-free calling. Mount this microphone where it will have clear line-of-sight of the driver, and is not otherwise obstructed. Typically the best microphone performance is achieved with the microphone mounted high in the vehicle by the headliner, or sun visor. The microphone includes a clip so it can be slipped onto the sun visor or edge of the headliner.

II. Control Button

A small control button is included with the ISFM2351 for controlling your smartphone's most common functions. This button should be mounted somewhere within easy reach of the driver. This button will be used to control your Smartphone, such as answer / end calls and change music tracks. Please keep in mind, the controller is designed to be a safety feature for the driver, therefore it should be easily accessible providing quick control and minimal distraction. The control button has different functions based on the "mode" of the Tranzit BLU HF. The controls for these modes are listed under section 5 User Operation.

III. Wiring



General connections:

Power connections:

1. Red wire – Connect to 12V + ACC (switched power)
2. Black wire - Connect to chassis GND

Control Button connections:

1. Pink wire - Connect control button Pink wire to ISFM2351 Pink wire
2. Black wire - Connect control button Black wire to the ISFM2351 Black wires

Microphone:

1. Microphone - Plug into side of ISFM2351 module

Vehicle with a 3.5mm Auxiliary audio input.

The ISFM2351 is compatible with any vehicle with an auxiliary audio input. Simply use the connection method described below and select your radios AUX input source to enjoy your music or hear call ringtones and voice.

Audio connections:

1. 3.5mm connector – Connect into your vehicle's aux input jack.
Select your radio's aux input source to enjoy your music.
2. Antenna connectors - Do Not Use for this install option (insulate and DO NOT connect to anything for best performance)

Vehicles without a 3.5mm Auxiliary audio input

Vehicles that do not have an aux input, the ISFM2351 is designed to connect to the back of your radio in-line with your vehicle's antenna. The TranzIt BLU HF disconnects the incoming antenna when in use, to deliver the cleanest possible audio from your phone. This routes your phone's calls and music to the FM station 98.1, or any radio station you choose, using the free TranzIt BLU HF application for your smartphone.

Audio connections:

1. Antenna connectors – connect in-line with your antenna behind your radio.
Tune the radio to 98.1 FM to enjoy your music.
2. 3.5mm connector – Do Not Use for this install option (insulate and DO NOT connect to anything for best performance)

IV. DIP switch Configuration

Normal operation does not require any configuration of the DIP switches. All 4 DIP switches should be in the down position. Additional DIP switch configuration information is available at the end of the troubleshooting section of this manual.



Normal Operation

V. LED Info

The ISFM2351 has a 3-color LED inside the module, which can be viewed through the hole on the rear of the metal housing. The Red, Green and Blue LED has several modes that provide feedback on the current status of the interface.

Blinking Red:

The module is trying to reconnect with a device in the paired devices list.

Blinking Green 2X:

The module is actively paired to a mobile device.

Alternating Red and Green:

The module is in discoverable mode. Search Bluetooth devices from the phone, and select TranzIt BLU HF to pair.

All LEDs off:

Module is actively paired and connected to a Bluetooth device, and receiving streaming audio.

4. Phone Setup

I. Bluetooth Pairing

1. To enter discoverable mode and pair a new phone, with no other phones connected, press and hold the control button for 2 seconds. The LED should start flashing Red and Green on the back of ISFM2351 module once in discoverable mode.
2. Access your smartphone's Bluetooth menu and search / scan for devices.
3. Select TranzIt BLU HF.

Please note: The ISFM2351 remembers the last 8 phones that were paired with it and sorts them in priority from most frequently used to least. When a 9th phone is paired, the least used phone will be bumped / removed.

II. Smartphone Application

TranzIt BLU HF has a smartphone application designed to provide access to additional settings and features. Download the App for free for your iPhone from the iTunes App Store, or for your Android smartphone using Google Play.

The TranzIt BLU HF app will enable you to change the frequency used by the module to play back your streaming audio and phone calls through your vehicle. Additionally the App allows you to clear the list of paired devices from memory. This is useful at the point of installation.

5. User Operation

The ISFM2351 will automatically reconnect with your paired phone when entering the vehicle. This ensures that your hands-free calls will be routed through the FM radio, or Aux input in your vehicle.

In order to stream your music through the vehicle, you must first engage the ISFM2351 for music streaming. To do this, simply press and hold the control button for more than 4 seconds. A series of beeps will play through the FM frequency, or Aux source. Now begin playback on your smartphone by tapping the control button if a music app is already running, otherwise, launch your music app and press play on the app and the audio will play through the vehicle.

If you would like to listen to the regular FM station, simply disengage the ISFM2351 by pressing and holding the control button for more than 4 seconds. Note, when “disengaged” the ISFM2351 is still connected to your Bluetooth device for hands free calling.

Modes and Control Button Operation

	PAIR YOUR FIRST PHONE (<i>new TransitBLU HF or after reset</i>)	PAIR ADDITIONAL PHONES	INCOMING CALL (phone ringing)	DURING CALL	STREAMING MUSIC
KEY ON, NO BUTTON PRESS	Discoverable (pairing) Mode				
TAP BUTTON			Answer Call	End Call	Next Track or Play (if music app is running)
2 TO 4 SECOND BUTTON PRESS		Discoverable (pairing)	Reject Call	Toggle privacy / hands-free mode*	Launch VR
LONGER THAN 4 SECOND BUTTON PRESS					Disengage/Engage TransitBLU HF

*Privacy / hands-free mode: switches from hands-free operation to handset operation to enable a private conversation in the presence of others. Bluetooth connection with phone is uninterrupted.

Phone Calls

Incoming call mode (phone ringing)

1. Single Press
Answer
2. Press and hold (More than 2 seconds, less than 4 seconds)
Reject call

During Call mode

1. Single Press
End call
2. Press and hold (More than 2 seconds, less than 4 seconds)
Toggle Privacy / Hands-free mode

Streaming Music

1. Single Press
Next track
2. Press and Hold (More than 2 seconds, less than 4 seconds)
Launch VR
3. Press and Hold (more than 4 seconds)
Disengage ISFM2351 (listen to FM radio)

Discoverable mode (to pair a new Bluetooth device)

1. With no other phones connected, press and hold the control button for 2 seconds then release to enter discoverable mode and pair a new phone. The LED will begin flashing Red and Green on back of ISFM2351 module once in discoverable mode.

6. Troubleshooting

Issue: No audio from the phone through the car.

Resolution:

- Press and hold the Control button for more than 4 seconds to engage the ISFM2351 for music streaming.
- Check for secure connections to the radio, antennas, or 3.5mm.
- Check that the radio is on the correct FM station (vehicles without an AUX input).
- Check that the radio is on the Aux source (vehicles with an AUX input).
- Check that the phone is playing audio via the Bluetooth output.
- Check the volume of the phone, and increase as necessary.

Issue: Tranzit BLU HF does not show in my available Bluetooth devices list

Resolution:

- Check that the ISFM2351 has been connected to Accessory 12V + switched power, (not constant power).
- Check that the Black wire is connected to chassis ground.
- Verify that the control button has been properly connected, according to section 3.
- Press and hold the control button for 2 to 4 seconds to enter pairing mode.

NOTE: If Tranzit BLU HF is not showing in available devices list but is showing in paired devices simply select Tranzit BLU HF to reconnect.

Issue: I cannot pair my phone to the Tranzit BLU HF

Resolution:

- Verify that no previously paired devices are within Bluetooth range.
- Turn off Bluetooth on any previously paired device, before trying to pair a new smartphone.

Issue: I cannot hear any actual FM stations

Resolution:

- Press and hold the Control Button for more than 4 seconds to disengage the ISFM2351

Issue: Audio playback from phone is distorted or low compared to other sources

Resolution:

- Adjust the volume on the smartphone while playing music.

Issue: Person on the other end cannot hear my voice during phone calls

Resolution:

- Verify that the microphone is securely connected to the ISFM2351.
- Verify the location of the microphone is unobstructed.

Issue: Control button does not function

Resolution:

- Verify that both the Pink and Black wires from the button are properly connected to the Pink and Black wires from the TranzitBLU HF. Reference section 3 for Installation information.



“Made for iPod,” “Made for iPhone,” and “Made for iPad” mean that an electronic accessory has been designed to connect specifically to iPod, iPhone, or iPad, respectively, and has been certified by the developer to meet Apple performance standards. Apple is not responsible for the operation of this device or its compliance with safety and regulatory standards. Please note that the use of this accessory with iPod, iPhone, or iPad may affect wireless performance.

iPad, iPhone, iPod, and iPod touch are trademarks of Apple Inc., registered in the U.S. and other countries. Lightning is a trademark of Apple Inc.

The Bluetooth® word mark and logos are registered trademarks owned by Bluetooth SIG, Inc. and any use of such marks by AAMP Global is under license.

7. Warranty Information

One Year Limited Warranty

The quality controls used in the manufacture of this product will ensure your satisfaction. This warranty applies only to the original purchaser of this product from an authorized iSimple ® dealer. This warranty covers any supplied or manufactured parts of this product that, upon inspection by iSimple ® authorized personnel, is found to have failed in normal use due to defects in material or workmanship. This warranty does not apply to installation expenses. Attempting to service or modify this unit, operating this unit under conditions other than the recommended voltage will render this WARRANTY VOID.

Unless otherwise prescribed by law, iSimple ® shall not be liable for any personal injury, property damage and or any incidental or consequential damages of any kind (including water damage) resulting from malfunctions, defects, misuse, improper installation or alteration of this product. All parts of this iSimple ® product are guaranteed for a period of 1 year as follows:

Within the first 12 months from date of purchase, subject to the conditions above, iSimple ® will repair or replace the product at our discretion, if it is defective in material or workmanship providing it is returned to an Authorized iSimple ® dealer, with PROOF OF PURCHASE from an authorized iSimple ® dealer.

Warning:

This equipment may be reset by unintentional electrostatic discharge during operation. Exposure to direct sunlight or extreme heat may cause damage or malfunction.

FCC Class B Radio Frequency Interference Statement

This equipment has been tested and found to comply with the limits for a Class B digital device, pursuant to Part 15 of FCC rules. These limits are designed to provide reasonable protection against harmful interference in a residential installation. This equipment generates, uses, and can radiate radio frequency energy and, if not installed and used in accordance with the instructions, may cause harmful interference to radio communications.

However, there is no guarantee that interference will not occur in a particular installation. If this equipment does cause harmful interference to radio or television reception, which can be determined by turning the equipment off and on, the user is encouraged to try to correct the interference by one or more of the following measures:

1. Re-orientate or relocate the receiving antenna.
2. Increase the separation between the equipment and receiver.
3. Connect the equipment into an outlet on a circuit different from that of which the receiver is connected.
4. Consult the dealer or an experienced radio / television technical for help.

Notice: The changes or modifications not expressly approved by the party responsible compliance could void the user authority to operate the equipment.



For best performance, have it professionally installed.

A large version of the iSimple logo, with the stylized orange 'i' and the word 'simple' in a large, lowercase, sans-serif font.

iSimple is a Power Brand of AAMP Global

Ph. 866-788-4237

support@iSimple.com

©2017 AAMP Global

www.iSimple.com