

Mailbox designs and manufactures one of the widest ranges of materials handling solutions in Europe, with over 40 years' experience across a wide range of market sectors.



Tel: 0161 330 5577 - Order online: www.mailboxproducts.co.uk - Email: sales@mailboxproducts.co.uk

R1165 Handle

TO SUIT EURO STACKING DOUBLE DOLLY

Detachable Handle to interwork with the Euro Double Dollies Models R1208 & R1192.



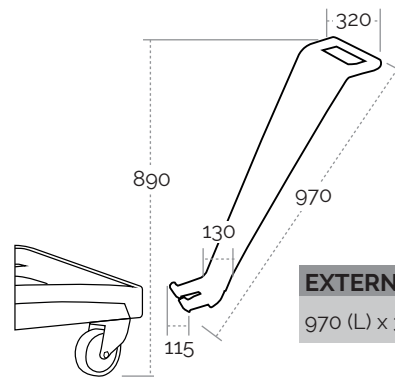
FEATURES:

- MDPE material
- Smooth surfaces
- Easy to grip handle

COLOUR: ●

Other colours available subject to MOQ

DIMENSIONS (mm):



EXTERNAL:

970 (L) x 320 (W) x 115 (H)



HANDLE DETAIL:

R1165 handle

R1208 - Euro dolly



ANCILLARY PRODUCTS:

- R1208 - Heavy Duty Double Euro Dolly (250kg max load)
- R1192 - Double Euro Dolly (150kg max load)

EXPLOSION OF COLOUR
Over 1000 products available