

Maine Cottage®

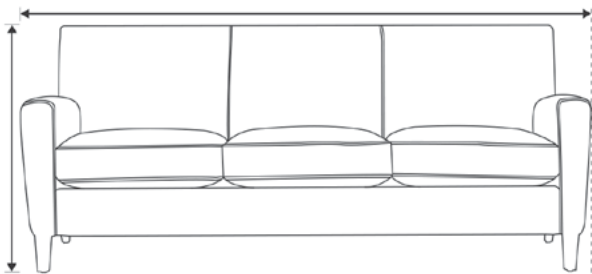
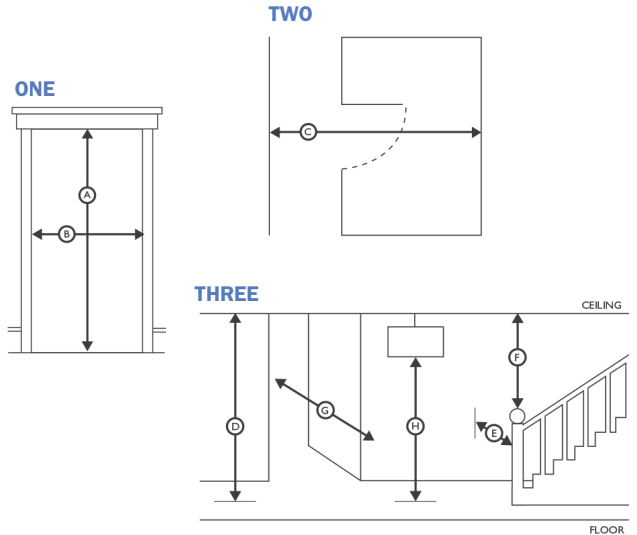
WILL MY FURNITURE FIT?

It's important to check if the pieces you've chosen and now have fallen in love with will actually fit into your home. A staircase with an angle, a narrow hallway, or a small elevator can present a BIG challenge.

With the instructions below we hope to avoid any unnecessary surprises on delivery day.

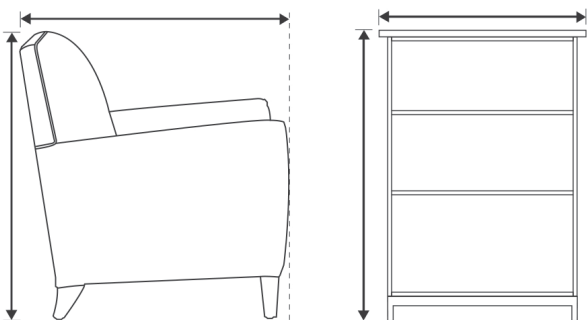
MEASURE YOUR SPACE

1. Measure the heights **(A)** and widths **(B)** of entryways and hallways both inside and outside your home.
2. Measure your entry clearance **(C)** — the distance from the wall, through the doorway to the opposite wall.
3. Factor in ceiling height **(D)**, stairways **(E)**, banisters **(F)**, corners **(G)**, and low hanging lights **(H)**.
4. Determine the best pathway from outside your home to the room where your new piece will be placed. Please be sure to account for any architectural details when taking measurements. If you live in a building with an elevator, measure the height of the door, as well as the inside



NEW FURNITURE DIMENSIONS

- We provide the width, depth, and height of our furniture on Maine Cottage product pages.
- Our furniture measurements are calculated from each piece's widest or tallest point. This means items with an overhang, angle or outward curve are included in the overall dimensions.



ON DELIVERY DAY

- Before delivery, remove any frames or artwork from walls to avoid bumps and scratches.
- Remove any potential obstacles between the door and your furniture's final placement—plants, chairs, accent tables, etc.
- Please confine pets to ensure they won't be underfoot or escape out open doors.
- If you live in a building with an elevator, measure the height of the door, as well as the inside space to ensure it's big enough for your furniture to travel in.