

Maine Cottage®

Annie Bed Assembly Instructions



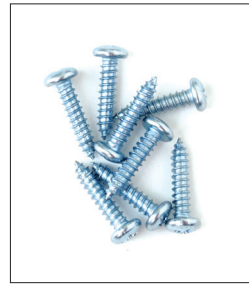
PARTS LIST



(4) Metal Tubular Legs



(4) Adjustable Glide Feet



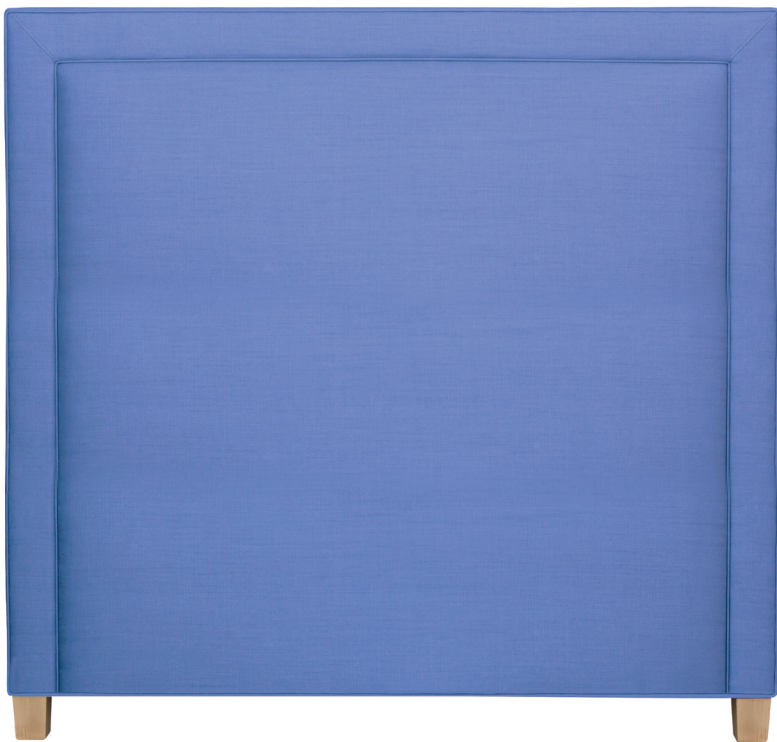
(8) 3/8" Slotted Round Head Screws



(4) #8 Screws



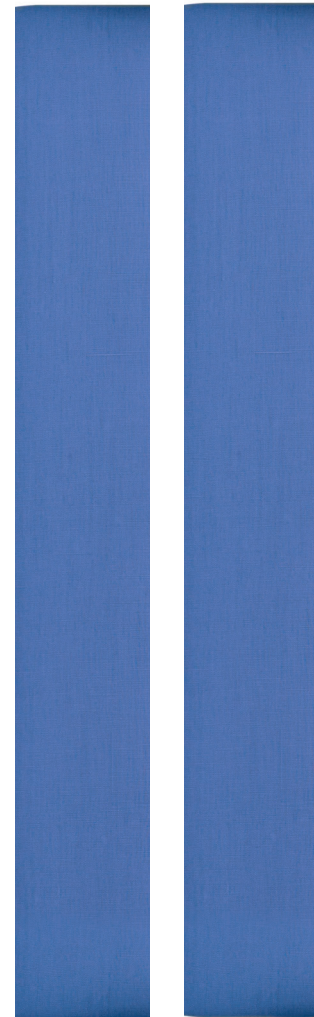
(2) Telescoping Supports



(1) Headboard



(1) Footboard

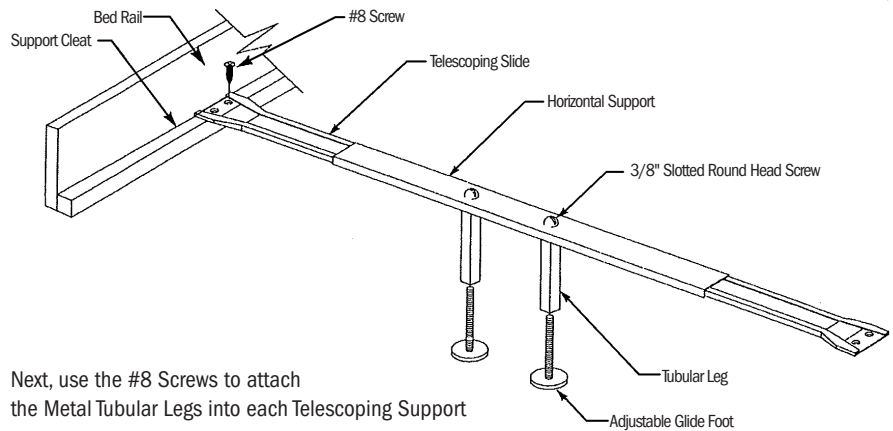


(2) Side Rails

STEP ONE:
ASSEMBLE TELESCOPING SUPPORTS



First, attach the four Adjustable Glide Feet into the bottom of the Metal Tubular Legs.



Next, use the #8 Screws to attach the Metal Tubular Legs into each Telescoping Support



STEP TWO
CONSTRUCT THE FRAME



Click and lock each Side Rail to the Headboard and Footboard.

STEP THREE
INSTALL TELESCOPING SUPPORTS



Extend the two Telescoping Support slides until the screw tabs are perpendicular to each Upholstered Bed Rail and resting over each Wooden Support Cleat. Use the #8 Screws to attach the Support Assembly to the Support Cleats

