

1

2

3

4

5

6

A

A

B

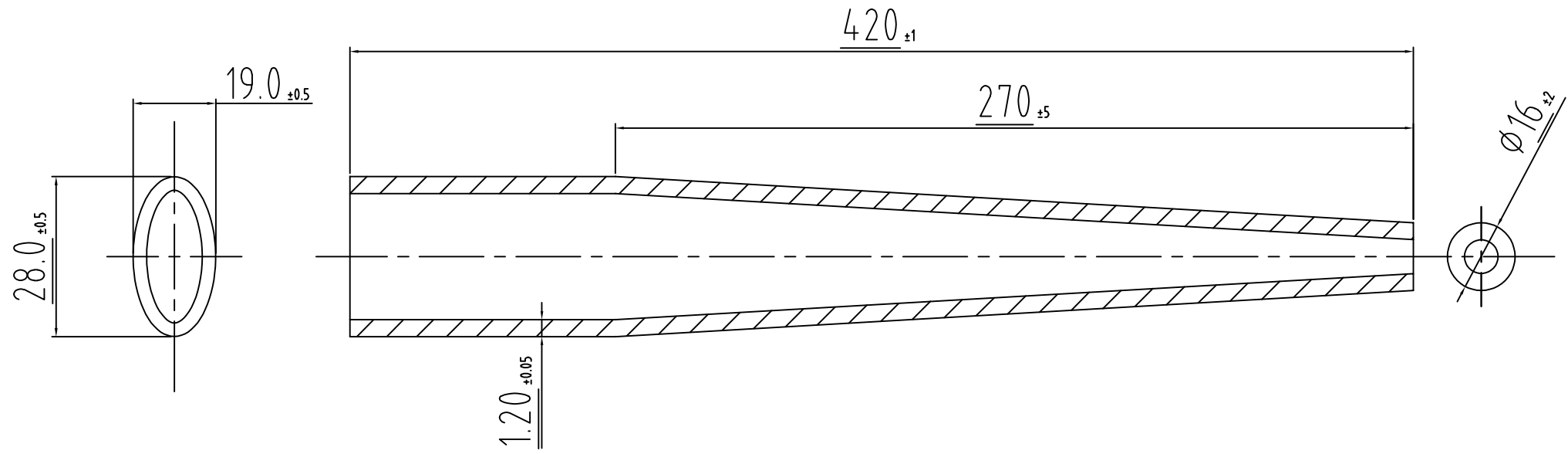
B

C

C

D

D



	x	x	x		Format A4	Material	Weight x
	x	x	x		Sheet A4		
	x	x	x			Heat treatment x	
	x	x	x		Scale	Finishing	
	1						
Rev.	Description		Date	Approved			
Fillet not dimensioned x		Description FODERO FORCELLA NEW 24/1.2				Code	
Dim without tollerances x						Drawing N°	
Replace x		Drawn by Lorenzo Ferreri	Date 16/09/2021	Checked by	Approved by	File name x	
DO NO DISCLOSE TO OR DUPLICATE FOR OTHERS EXCEPT AS AUTHORIZED BY GRUPPO							

1

2

3

4

5

6