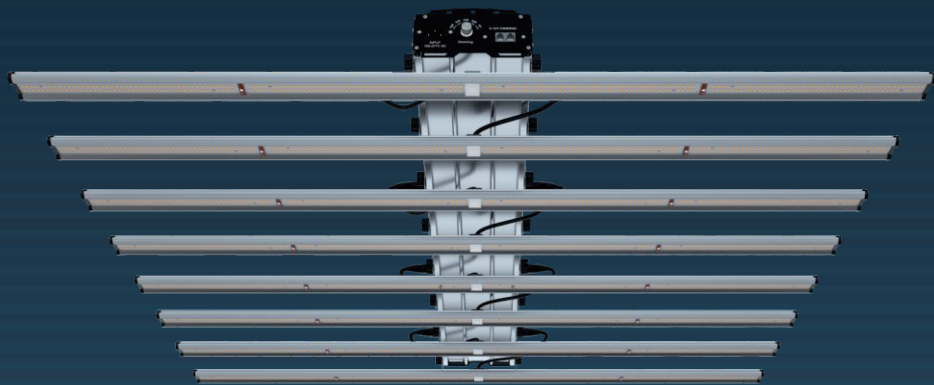


NANASHI

HORTICULTURE

EVOLUTIO



FIND MORE HARVEST, FIND LED X

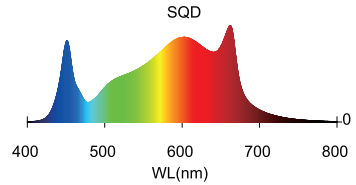
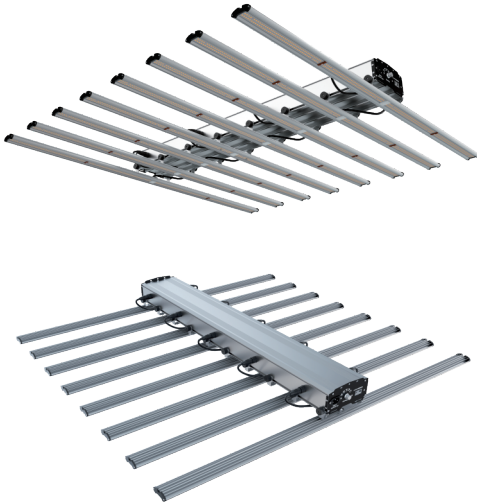
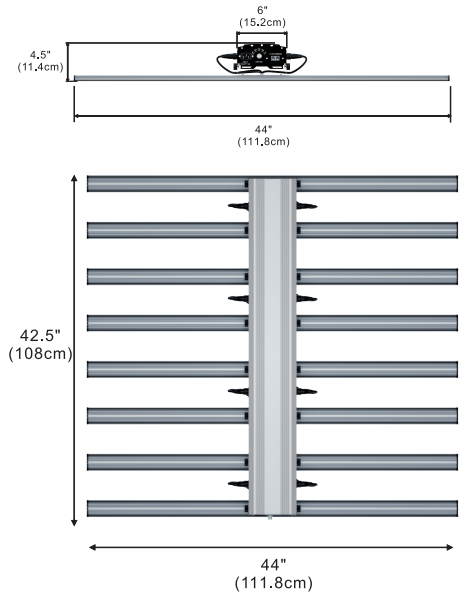


UL8800 Compliant

SPECIFICATIONS

Light Source	LED
Input Power	1000W
Input Voltage	110-277V
Efficacy	2.65 $\mu\text{mol/J}$
PPF	2650 $\mu\text{mol/s}$
Number for light bars	8
Mounting Height	$\geq 6"$ (15.2cm) Above Canopy
Thermal Management	Passive
Lifetime	50,000hrs
Power Factor	$>90\%$
Certifications	IP55(Console Only), CE
Colour Rendering Index	80ra
Ambient Temperature	$-25\sim 40^{\circ}\text{C}$
Storage Environment	$-40^{\circ}\text{C}\sim 85^{\circ}\text{C}$ RH10%-95%
Chip	Branded LEDs
Warranty	3 Year

Fixture Dimensions | Weight
 44"L * 42.5"W * 4.5"H | 38lbs
 111.8cmL * 108cmW * 11.4cmH | 17kg

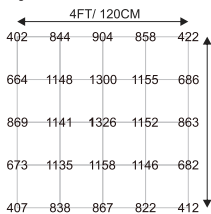


Spectrum

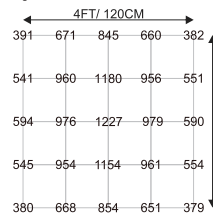
A full spectrum increases the quality of your crop. Our combination of white and red LEDs results in a relatively high ratio of blue light. Blue light keeps your crop compact in the vegetative stage and adds to an optimal morphogenesis and light interception by the plant. It maintains the photosynthetic system of the plant to optimize its photosynthetic potential and can shorten your flowering period. Blue light also triggers stomatal opening during the light period. The spread of the red LEDs guarantees a uniformly mixed spectrum on your crop at a short distance.

PAR DISTRIBUTION

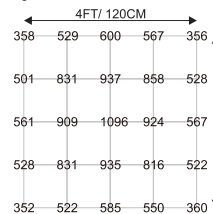
Height of 16" / 40CM PAR Distribution



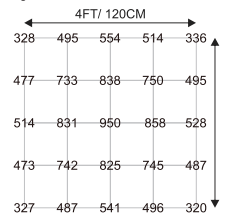
Height of 24" / 60CM PAR Distribution



Height of 32" / 80CM PAR Distribution



Height of 40" / 100CM PAR Distribution

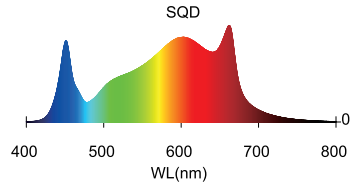
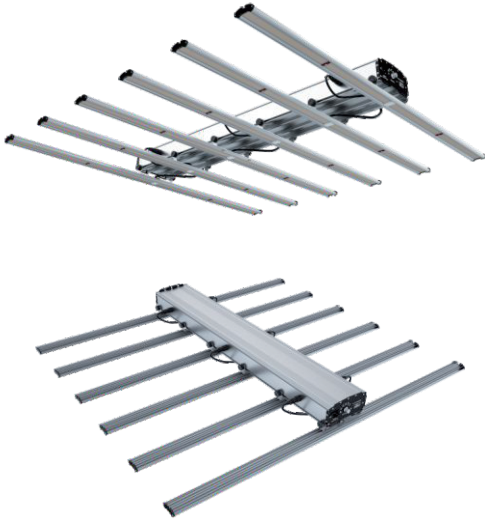
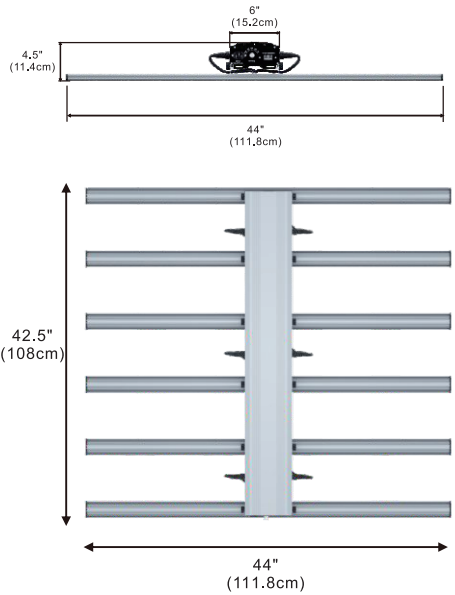


SPECIFICATIONS

Light Source	LED
Input Power	720W
Input Voltage	110-277V
Efficacy	2.7 $\mu\text{mol/J}$
PPF	1940 $\mu\text{mol/s}$
Number for light bars	6
Mounting Height	$\geq 6"$ (15.2cm) Above Canopy
Thermal Management	Passive
Lifetime	50,000hrs
Power Factor	$>90\%$
Certifications	IP55(Console Only), CE
Colour Rendering Index	80ra
Ambient Temperature	$-25\sim 40^{\circ}\text{C}$
Storage Environment	$-40^{\circ}\text{C}\sim 85^{\circ}\text{C}$ RH10%-95%
Chip	Branded LEDs
Warranty	3 Year

Fixture Dimensions | Weight

44"L * 42.5"W * 4.5"H | 27lbs
111.8cmL * 108cmW * 11.4cmH | 12kg

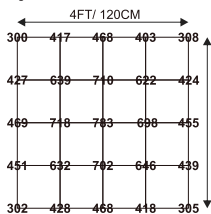


Spectrum

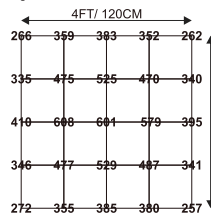
A full spectrum increases the quality of your crop. Our combination of white and red LEDs results in a relatively high ratio of blue light. Blue light keeps your crop compact in the vegetative stage and adds to an optimal morphogenesis and light interception by the plant. It maintains the photosynthetic system of the plant to optimize its photosynthetic potential and can shorten your flowering period. Blue light also triggers stomatal opening during the light period. The spread of the red LEDs guarantees a uniformly mixed spectrum on your crop at a short distance.

PAR DISTRIBUTION

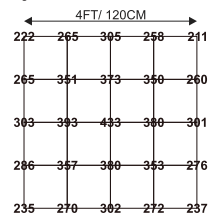
Height of 16" / 40CM PAR Distribution



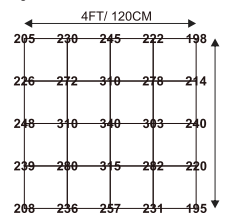
Height of 24" / 60CM PAR Distribution



Height of 32" / 80CM PAR Distribution



Height of 40" / 100CM PAR Distribution

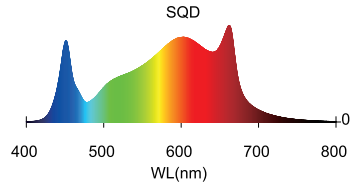
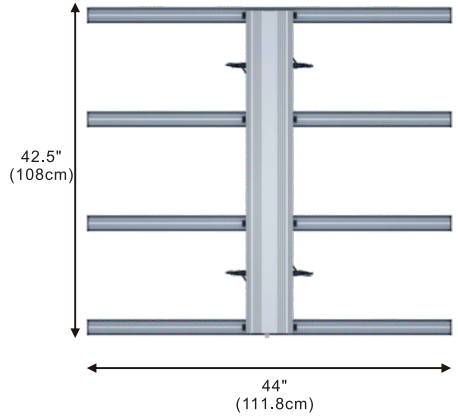
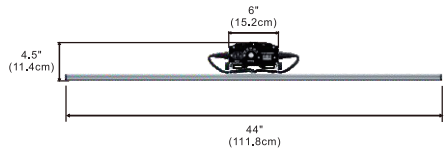


SPECIFICATIONS

Light Source	LED
Input Power	500W
Input Voltage	110-277V
Efficacy	2.7 $\mu\text{mol/J}$
PPF	1350 $\mu\text{mol/s}$
Number for light bars	4
Mounting Height	$\geq 6"$ (15.2cm) Above Canopy
Thermal Management	Passive
Lifetime	50,000hrs
Power Factor	>90%
Certifications	IP55(Console Only), CE
Colour Rendering Index	80ra
Ambient Temperature	-25~40°C
Storage Environment	-40°C~85°C RH10%-95%
Chip	Branded LEDs
Warranty	3 Year

Fixture Dimensions | Weight

44"L * 42.5"W * 4.5"H | 16lbs
111.8cmL * 108cmW * 11.4cmH | 7kg

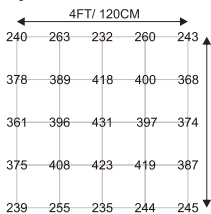


Spectrum

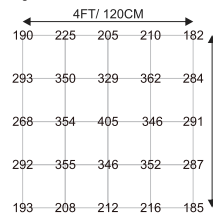
A full spectrum increases the quality of your crop. Our combination of white and red LEDs results in a relatively high ratio of blue light. Blue light keeps your crop compact in the vegetative stage and adds to an optimal morphogenesis and light interception by the plant. It maintains the photosynthetic system of the plant to optimize its photosynthetic potential and can shorten your flowering period. Blue light also triggers stomatal opening during the light period. The spread of the red LEDs guarantees a uniformly mixed spectrum on your crop at a short distance.

PAR DISTRIBUTION

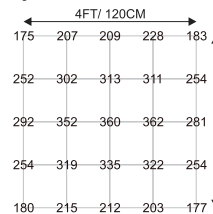
Height of 16" / 40CM PAR Distribution



Height of 24" / 60CM PAR Distribution



Height of 32" / 80CM PAR Distribution



Height of 40" / 100CM PAR Distribution

