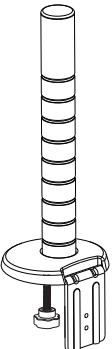
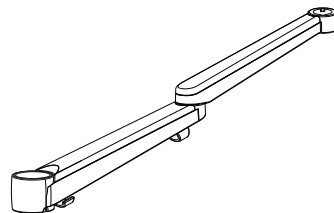
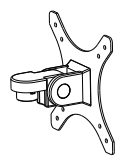
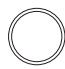
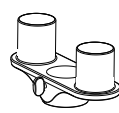







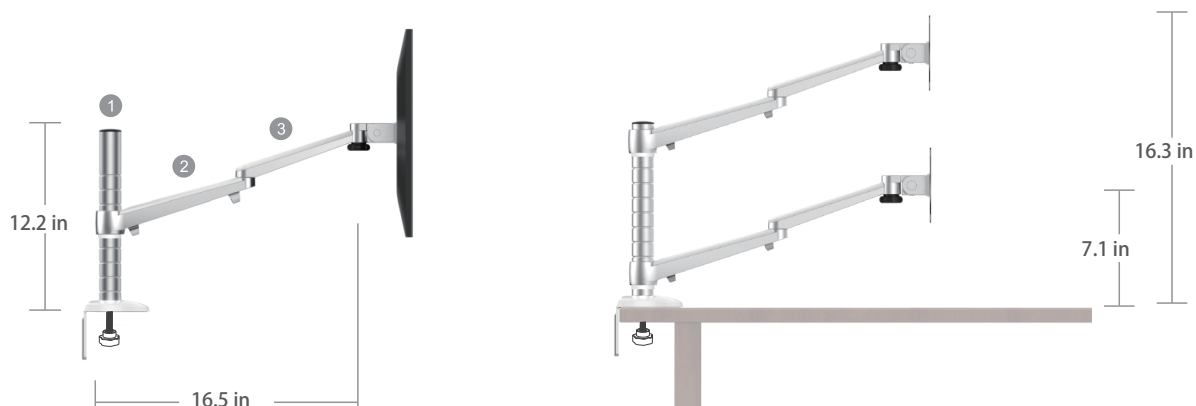


Packing List & Application

High-Efficiency Monitor Arm

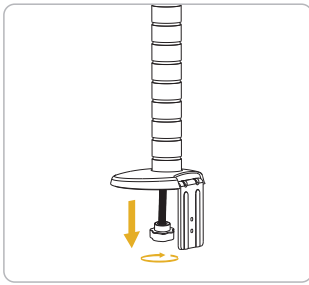
<p>1</p>  <p>Column (Mounted Post) 1x</p>	<p>2</p>  <p>Single Arms 1x Dual Arms 2x</p>		<p>3</p>  <p>VESA Monitor Adapter (Single Arms) 1x VESA Monitor Adapter (Dual Arms) 2x</p>		
<p>5</p>  <p>Rubber Ring 1x</p>		<p>4</p>  <p>Dual Arm Connector 1x</p>	<p>6</p>  <p>Bushing (Single Arms) 1x Bushing (Dual Arms) 2x</p>		
<p>8</p>  <p>M4X8mm Standard VESA Bracket Screws 8x</p>	<p>9</p>  <p>M5X8mm Extended VESA Bracket Screws 8x</p>	<p>10</p>  <p>5mm Stainless Steel Spacer 8x</p>	<p>7</p>  <p>Monitor Clamp Screw (Single Arms) 1x Monitor Clamp Screw (Dual Arms) 2x</p>		
				<p>11</p>  <p>6mm Hex Key 1x</p>	<p>12</p>  <p>4mm Hex Key 1x</p>

Product specification

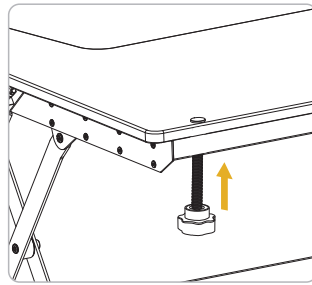


Installation instructions

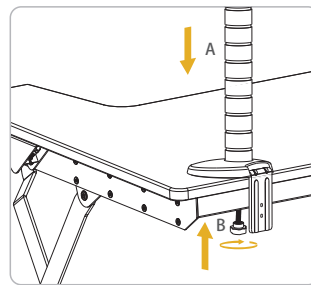
BRACKET INSTALLATION



1 Remove the base screw.

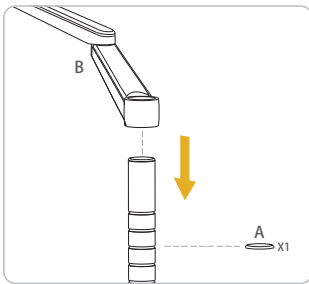


2 Insert the bolt from the bottom of the desktop through any of the 3 buttonhole openings.



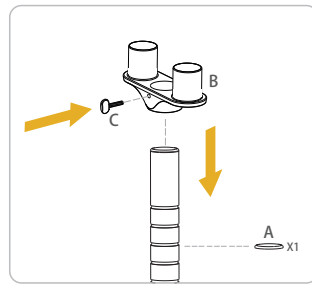
3 Place the Column (A) on top of the desktop and align to the base screw, then tighten the bolt (B) from the bottom to secure the main column.

For Installation of Single Arms

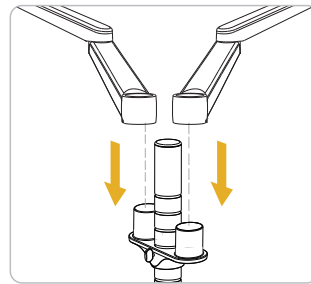


4 Place the rubber ring (A) into the ring groove at your desired height, and then the double section arm (B) is sheathed into the upright column.

For Installation of Dual Arms

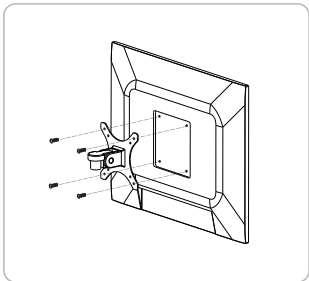


5 Place the rubber ring (A) into the ring groove at your desired height. Install the dual arm (B) in the post, adjust to the appropriate position, and then use the screw (C) to tighten it.

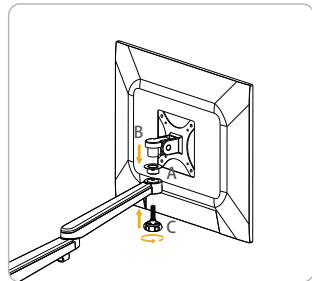


6 Place the monitor arms into the dual arm connector.

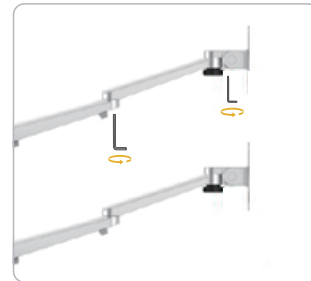
MONITOR BRACKET



7 Place the VESA Bracket in position on back of monitor with lip toward top of monitor and attach using 4 screws provided. Use washers if needed.



8 Place the Plastic ring (A) into monitor arm hole pattern. Align ring to hole pattern. Slide VESA Bracket (B) into arm, fully tighten Clamp Screw (C). Align ring to hole pattern.



9 After positioning a proper angle, tighten the frame with a wrench to prevent it from dropping down.

FUNCTION FEATURE



Pallet tilt adjustment
+90° / -80°



Pallet level adjustment
180°



Cantilever adjustment
360°



Height adjustment
0-415mm

Web Site: www.goldtouch.com
Email: info@goldtouch.com

Goldtouch
1320 Arrow Point Dr.
Bldg. 1, Suite 101
Cedar Park, TX 78613

P: 512-259-5688