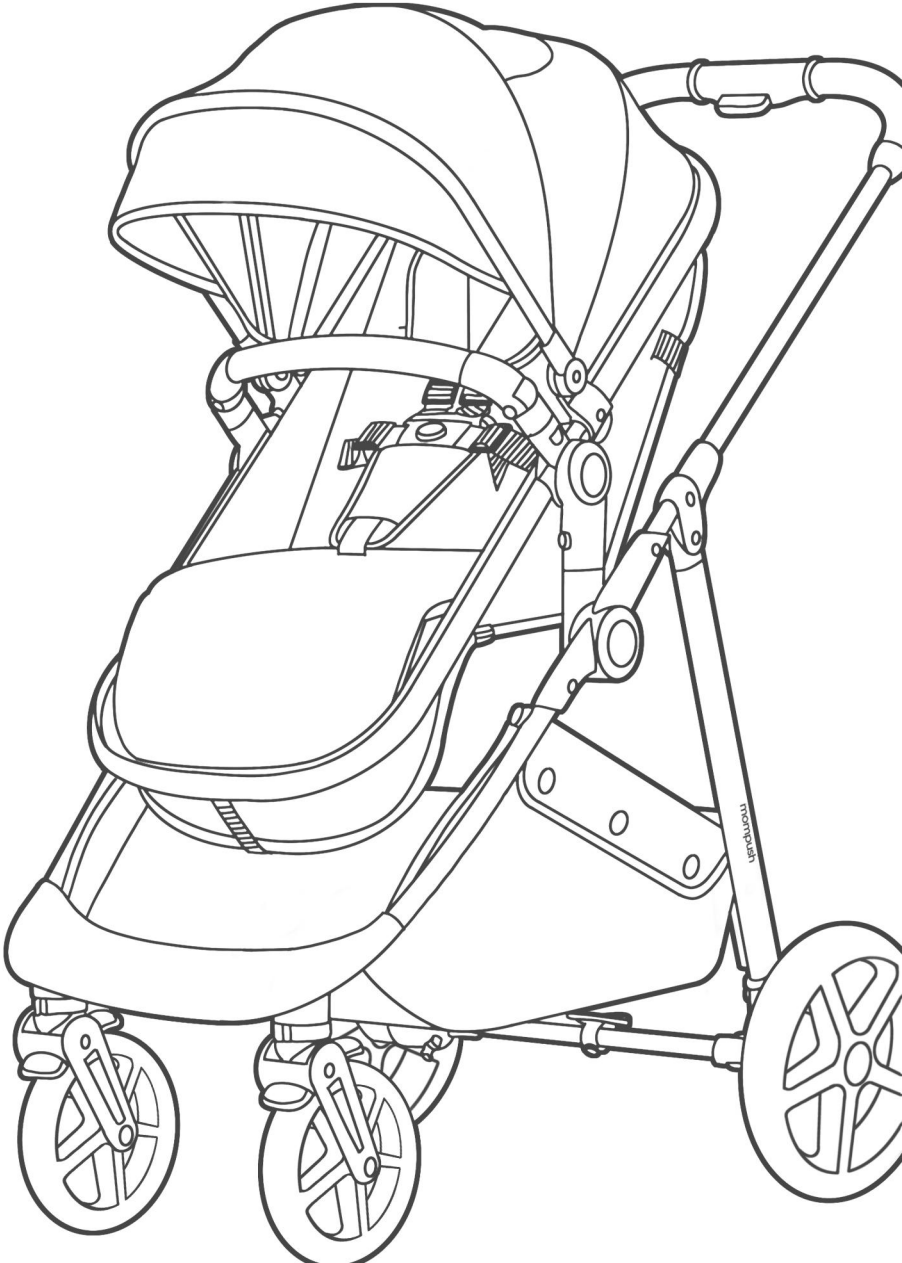


mp | mompush®
Wiz





-----02



-----03



-----04



-----05



-----05



-----05



-----06



-----07



-----07



-----08



-----09



-----10



-----12



-----13



-----13



-----14



-----18



-----19



-----20



-----21



WARNINGS and useful safety information

⚠ WARNING

FOR THE SAFETY OF YOUR CHILD, PLEASE READ THE FOLLOWING WARNINGS AND ASSEMBLY INSTRUCTIONS, AND KEEP FOR FUTURE REFERENCE, FAILURE TO FOLLOW THESE WARNINGS AND INSTRUCTIONS COULD RESULT IN SERIOUS INJURY OR DEATH:

- **NEVER** LEAVE CHILD UNATTENDED. **ALWAYS** keep child in view when in stroller.
- Adult assembly required. **CAUTION:** Keep small parts away from children during assembly. To avoid serious injury from sliding or falling out, always use complete 5-point harness. Check frequently to make sure it is secure.
- Unit may become unstable if manufacturer's recommended load is exceeded, or if parcel bag or accessory other than that recommended by the manufacturer is used or hung from the unit.
- Children and adults should be clear of moving parts while making stroller adjustments. Damage to fingers or extremities may occur when opening or closing the frame.

- This toddler seat is suitable for children from newborn up to 40 lbs/18 kg. Maximum height of 40 inches/101.6 cm.
- Suitable from birth in bassinet mode up to a maximum weight of 20 lbs or until the child can sit up unaided, roll over or push itself up on its hands and knees.
- **ALWAYS** use the stroller in the fully reclined position for babies who have not yet developed good head and neck control.
- **ALWAYS** use the bassinet configuration for Newborns (see instructions). The restraint system must be used at all times, as this configuration is not a replacement for the restraint system.
- This product is not suitable for running or skating.
- Maximum weight for the storage basket is 10 lbs/4.5 kg.
- Maximum weight for the cup holder is 1 lb/0.5 kg.
- **DO NOT** use with more than one child in the seat at a time.
- **DO NOT** carry or lift the stroller with child in it.
- **DO NOT** use the basket as a child or pet carrier.
- Audible "click" must be heard to confirm that each attachment is connected properly.
- **ALWAYS** make sure stroller is fully open and locked before use.
- Keep Away from fire. **DO NOT** use this product near an open fire or exposed flame.
- The brake must be locked while taking the child in or out of the stroller, and when parked.
- **NEVER** leave child in the stroller while ascending or descending stairs, or using an escalator.

- **DO NOT** use the stroller if any part is damaged, broken, torn or missing. Use only replacement parts and accessories supplied and approved by the manufacturer. If you need replacements parts or assistance, see the contact information included with this product.
- **DO NOT** make any alterations or modifications to the stroller with products not supplied by the manufacturer as this may cause instability or structural damage not covered under warranty.
- **NEVER** leave the stroller unattended on a hill or incline even when the parking brake is locked.
- Use caution when pushing stroller on uneven terrain or hills.

Wiz Accessories:

- Wiz Rain Cover is designed exclusively for use with the Mompush Wiz Stroller. Do not use on any item other than Mompush Wiz Stroller.
- The stroller sunshade must be correctly installed before installing the Rain Cover. This will ensure proper airflow and avoids the risk of suffocation.
- When using, make sure that the Rain Cover does not come into contact with the child's face.
- Constantly monitor child when using the Rain Cover. **DO NOT** use this product in warm weather conditions. Remove the Rain Cover if the child starts to feel uncomfortable or perspire.

This product is designed and manufactured to comply with ASTM F833-21 Standard Consumer Safety Performance Specification for Carriages and Strollers.



CLEANING INSTRUCTIONS

- Avoid excessive exposure to sun or heat, which may cause fading or warping
- Keep the handlebar and folding mechanisms free of abrasive grime and moisture. If wet, use a soft cloth to dry.
- Regularly check all rivets, screws, and safety devices for tightness and security.
- Inspect wheels and replace if necessary.
- All plastic and metal parts may be wiped clean with a damp cloth.
- Never use bleach or detergents to clean this product.
- Do not submerge or use running water on any metal or plastic parts of the stroller.
- Upholstered parts can be machine-washed in cold water on a gentle cycle with a mild detergent.

Do not use stroller without them.



• Sunshade, other fabric areas, and raincover can be wiped down with cold water and mild detergent.

Disclaimer: Mompush uses high quality dyes to ensure a product that will retain its color. There is always a possibility that colors will fade with washing. Mompush cannot be held responsible for faded colors due to laundering.

LIMITED WARRANTY

Your Mompush stroller is warranted to be free from any manufacturing defects for a period of 2 years from the date of purchase under normal use and in compliance with the operating instructions. This warranty is not transferable and extends only to the original retail purchaser and is only valid when supplied with proof of purchase.

PLEASE RETAIN PROOF OF PURCHASE FOR THIS LIMITED WARRANTY.

The warranty is valid only in the original country of purchase. This warranty is subject to the conditions set forth by country in which the items were purchased. Conditions may vary. Mompush will not ship replacement or repair parts out of the country of purchase. Mompush will provide replacement parts or conduct repairs as determined fitting by the company. Mompush reserves the right to exchange item with a replacement part. Some parts may be replaced with newer model parts as the stroller is improved over time.

Please note that a repair issue will NOT be covered by this warranty if:

- The issue is caused by misuse or poor maintenance. Please refer to this instruction booklet for guidance on stroller use and maintenance.
- Damage is caused by improper installation of Mompush parts and/or accessories. Please refer to this instruction booklet for guidance on stroller assembly and use.
- Damage is corrosion, mold or rust caused by lack of maintenance or service.
- Damage is due to general wear and tear, which is the result of everyday use or negligence.
- Damage is caused by sun intensity, sweat, detergents, damp storage or frequent washings.
- Repairs or modifications are carried out by a third party.
- Stroller is purchased from an unauthorized retailer. Approved retailers are listed on our website at mompush.com

Mompush reserves the right to determine if warranty terms and conditions have been met.

Register your product at: mompush.com/registration

Register your product

Keep informed about safety announcements or product upgrades specific to your Mompush stroller by registering your product via mompush.com/registration. Check mompush.com/warranty for more info. Registration also speeds up the process when you get in touch with our service team. Please note: you still need your proof of purchase for warranty claims.

Customer service

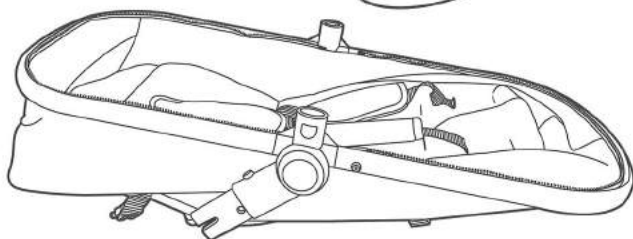
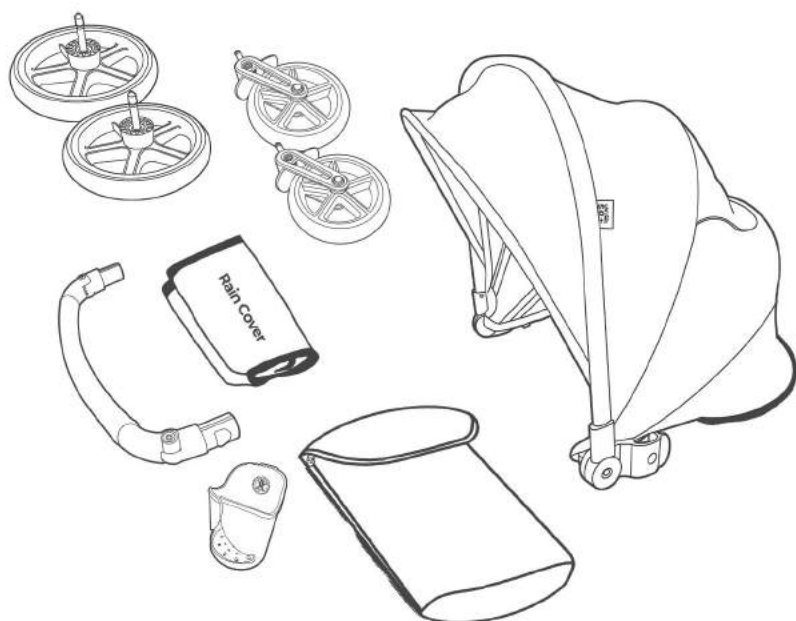
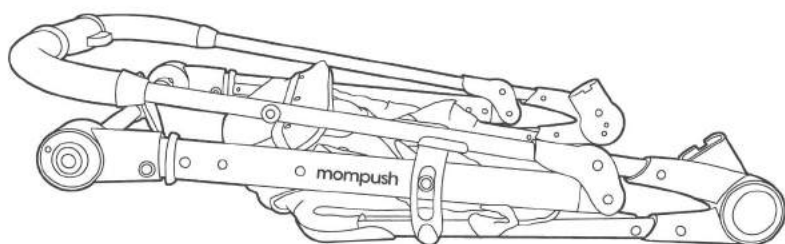
If you have a question you might be able to find the answer on our website www.mompush.com. If you need to contact our service team, we are always happy to hear from you! We are available to answer any questions, concerns, or comments you may have regarding our products and services. Don't hesitate to contact us. Your feedback helps us to further improve our products and services. You can contact our Customer Support Team using our online contact form (www.mompush.com/contact).

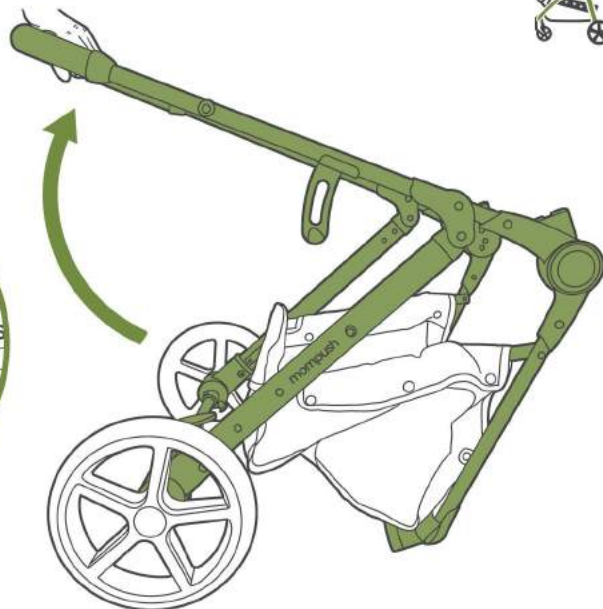
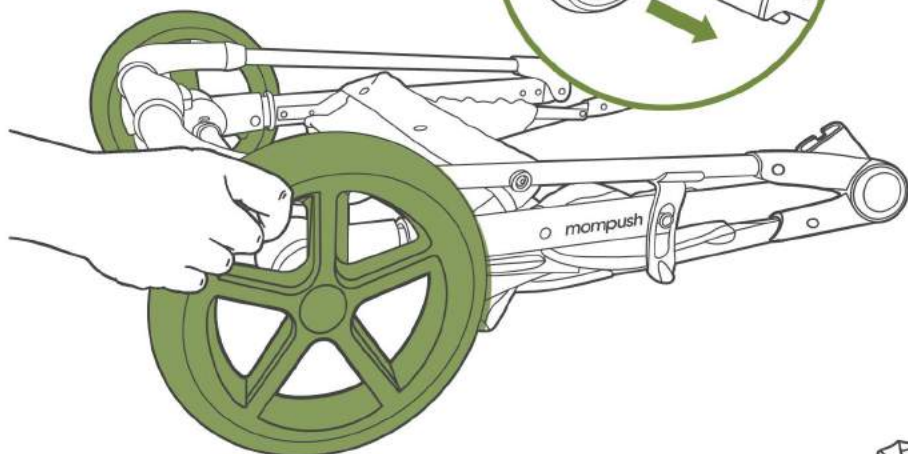
Share your journey with us

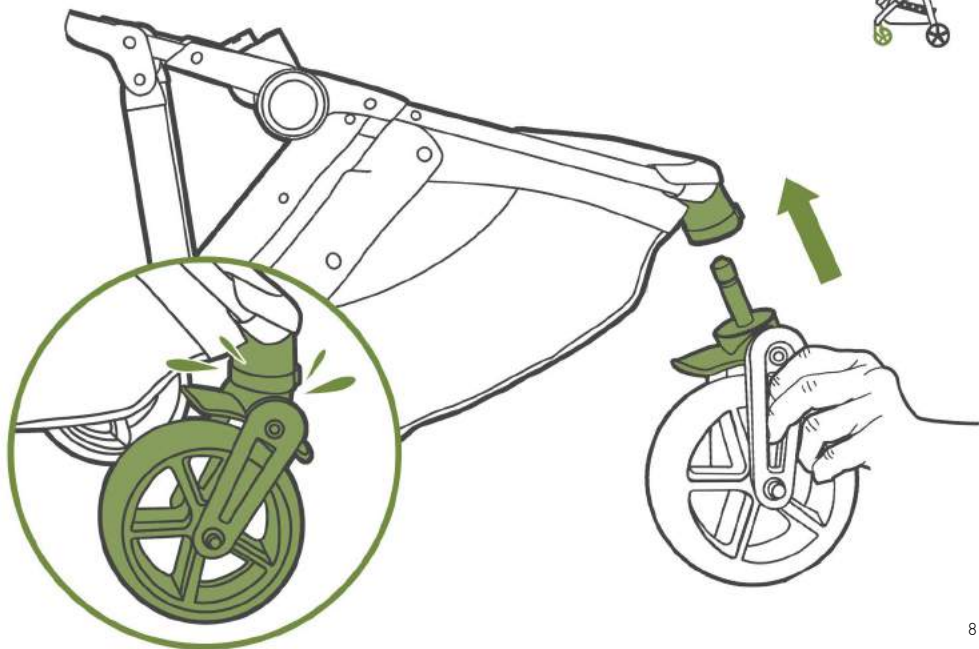
We love seeing families enjoying life on the move with our strollers. From the first stroll to the first big adventure, we are constantly inspired by Mompush owners' photographs and stories. Please stay in touch and don't forget to share your journey with us on social.

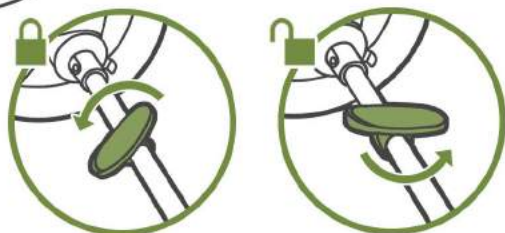
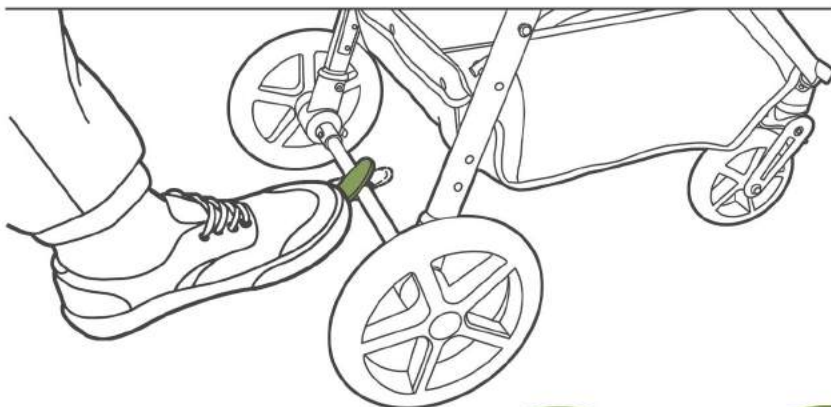
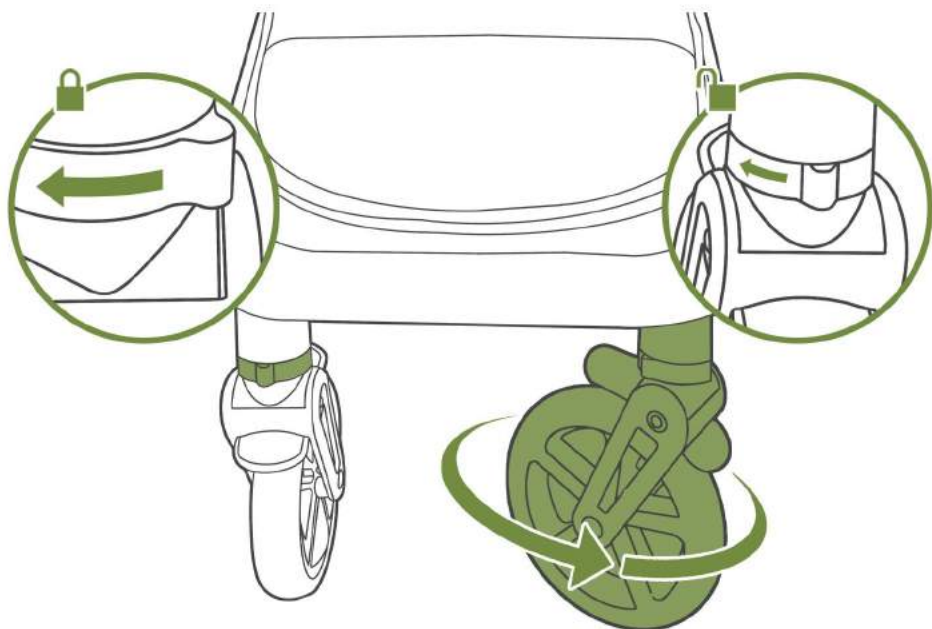


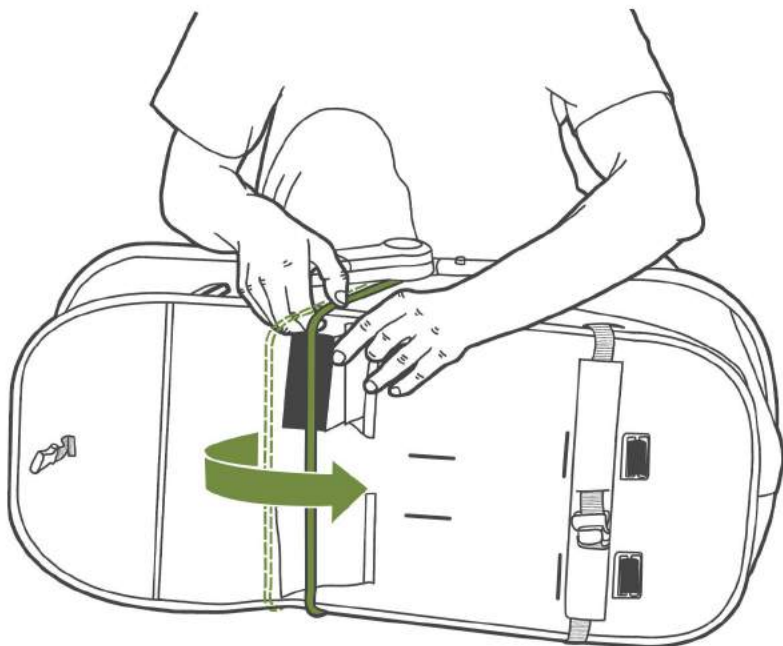
@himompush @mompush_stroller #mompush

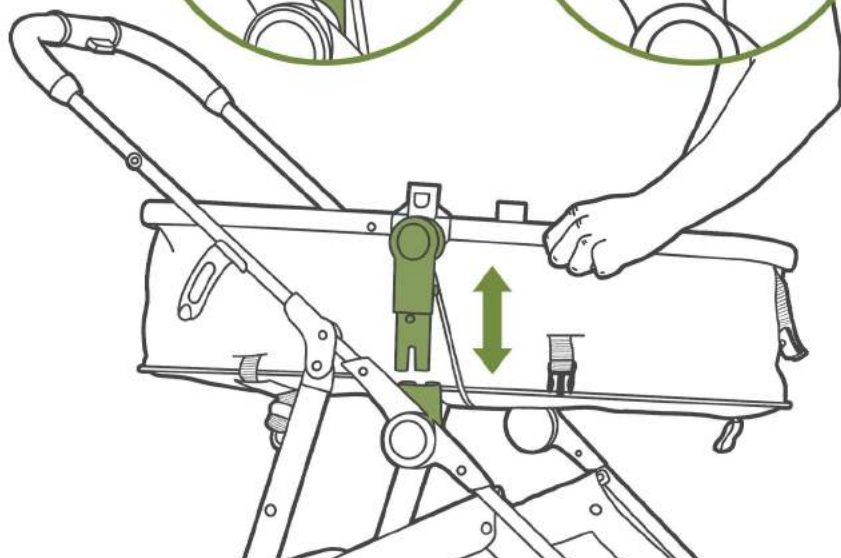
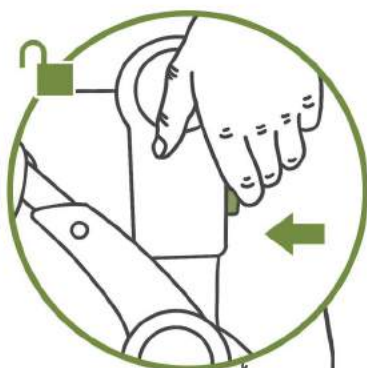
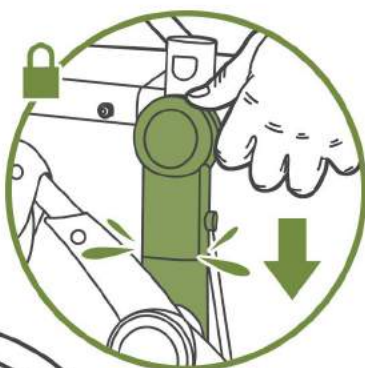
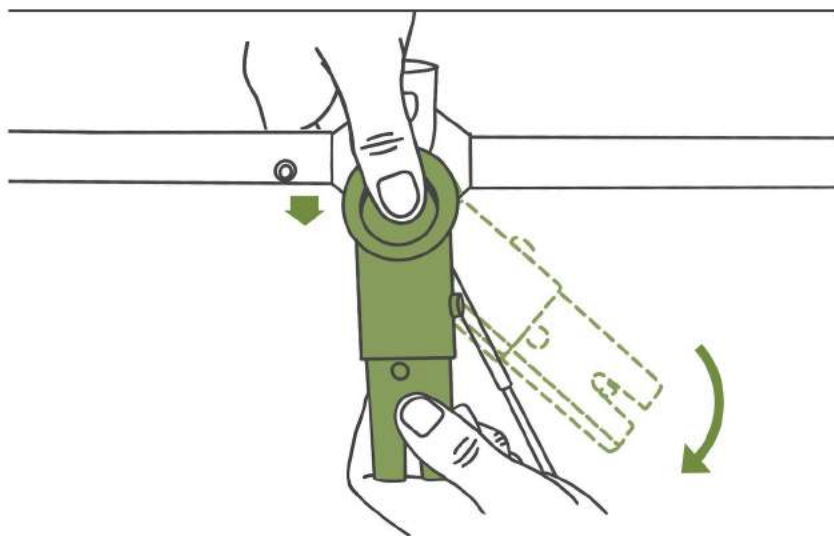


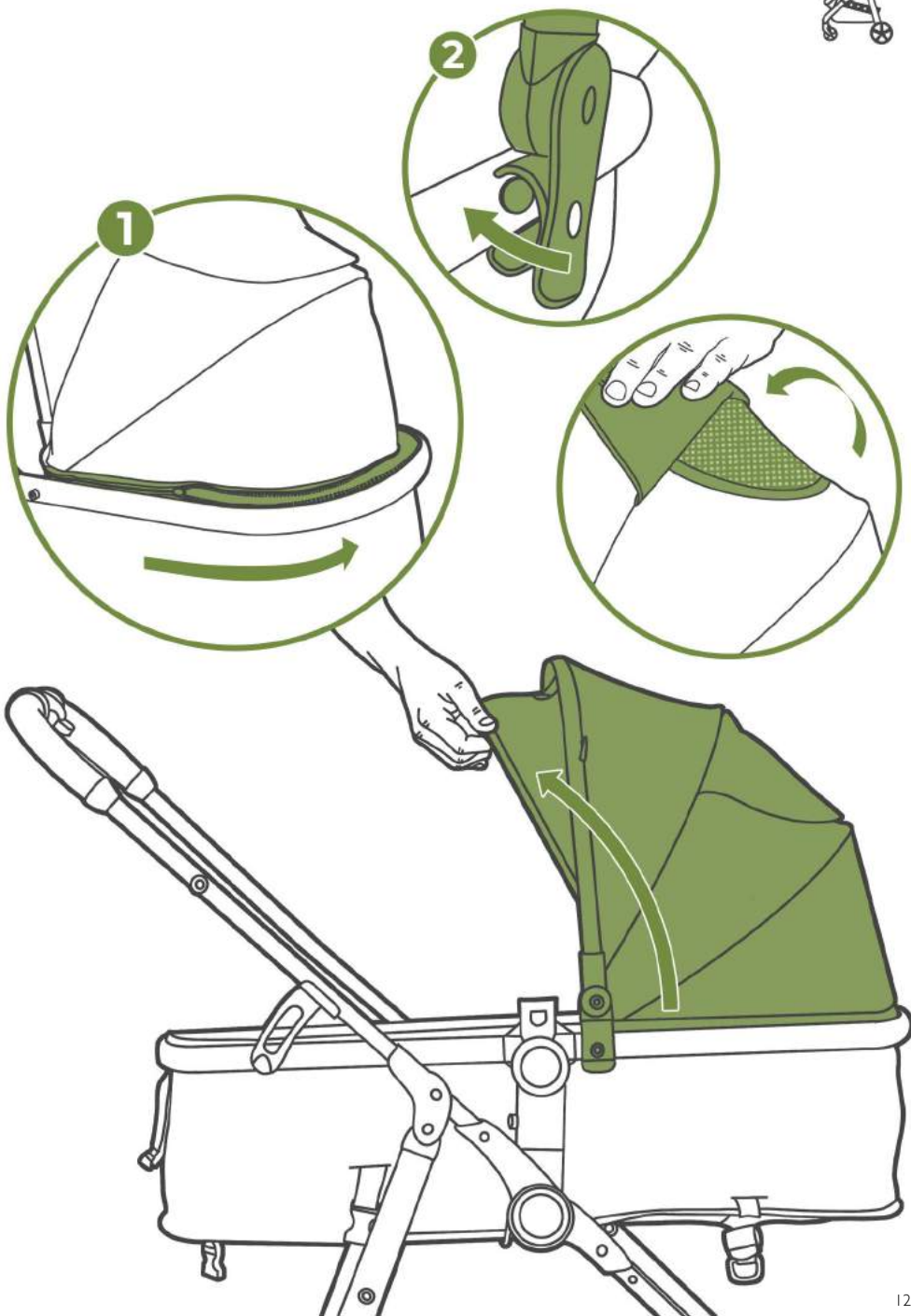


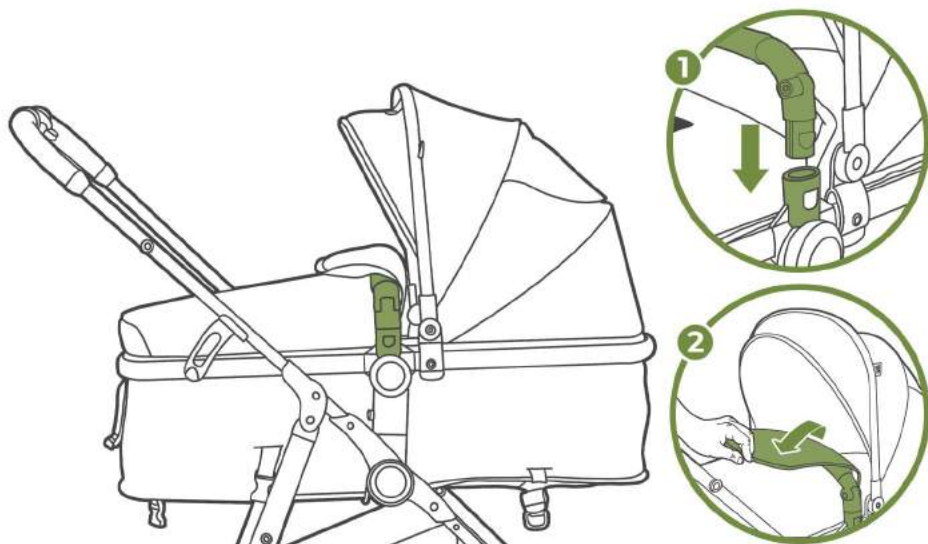
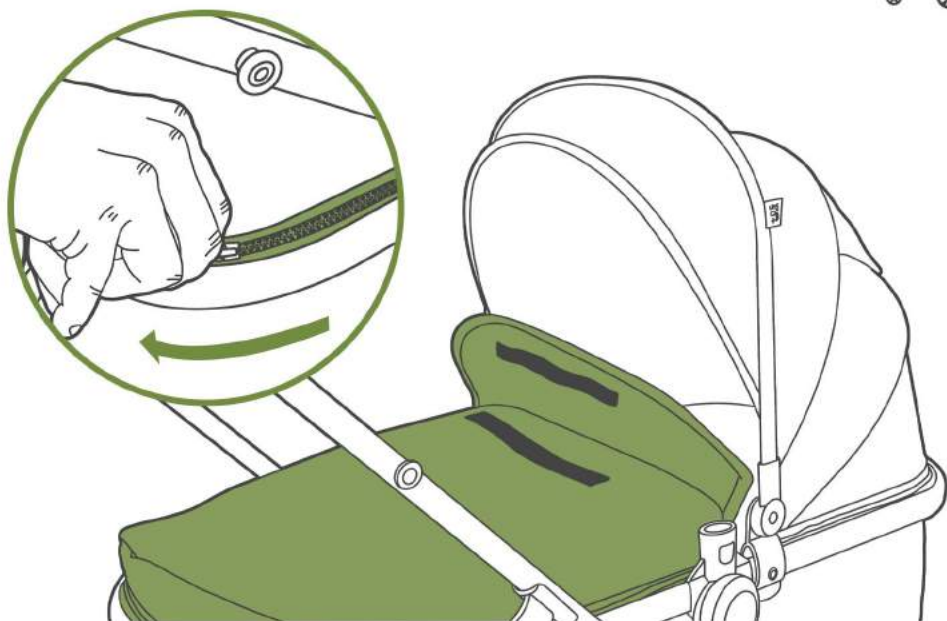


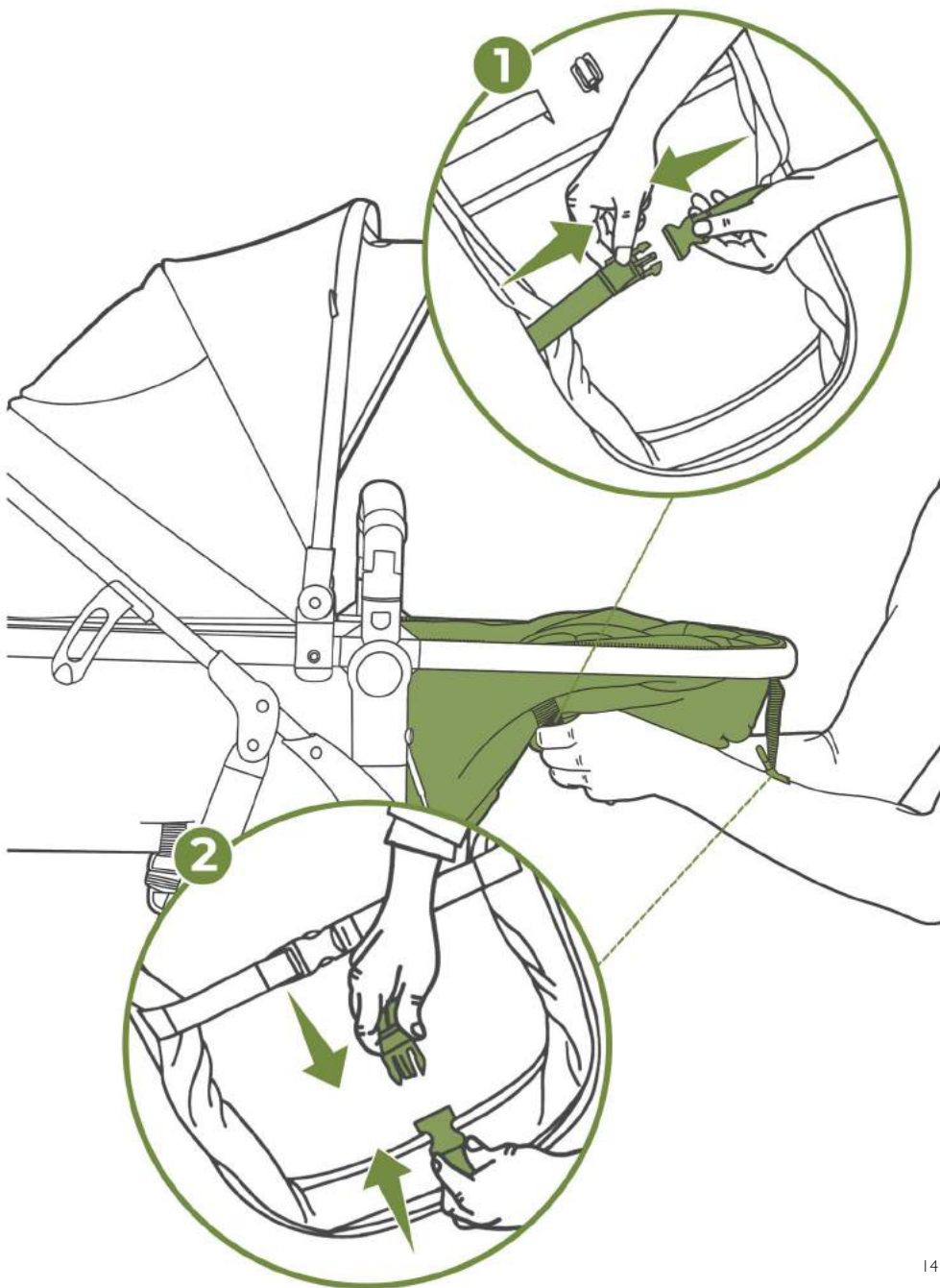


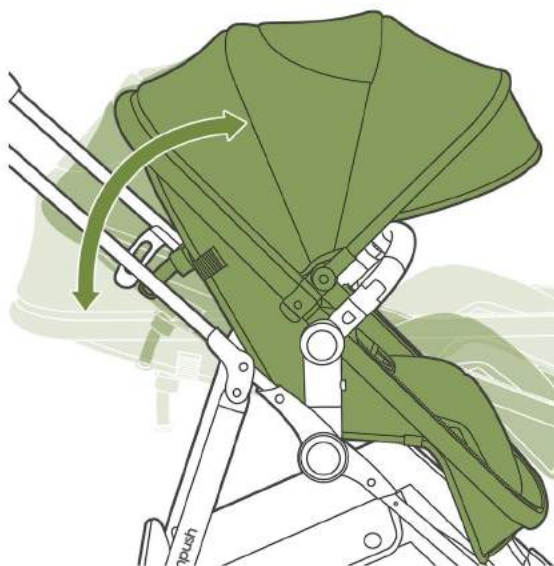
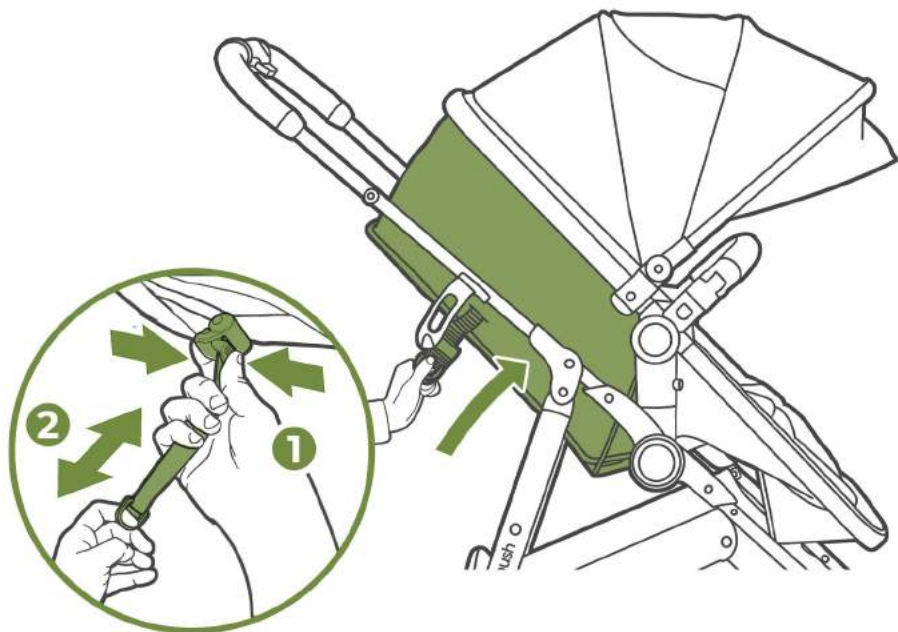


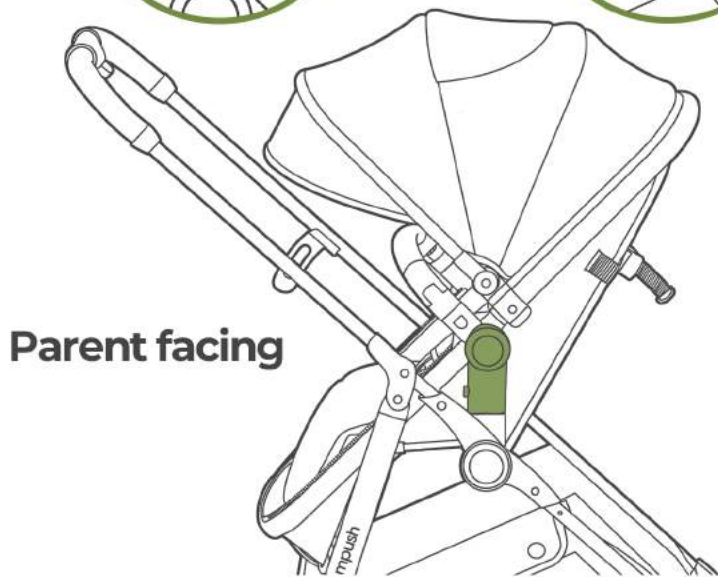
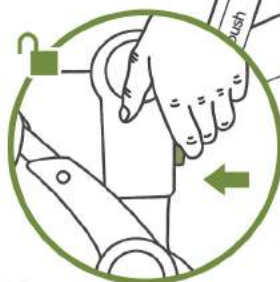






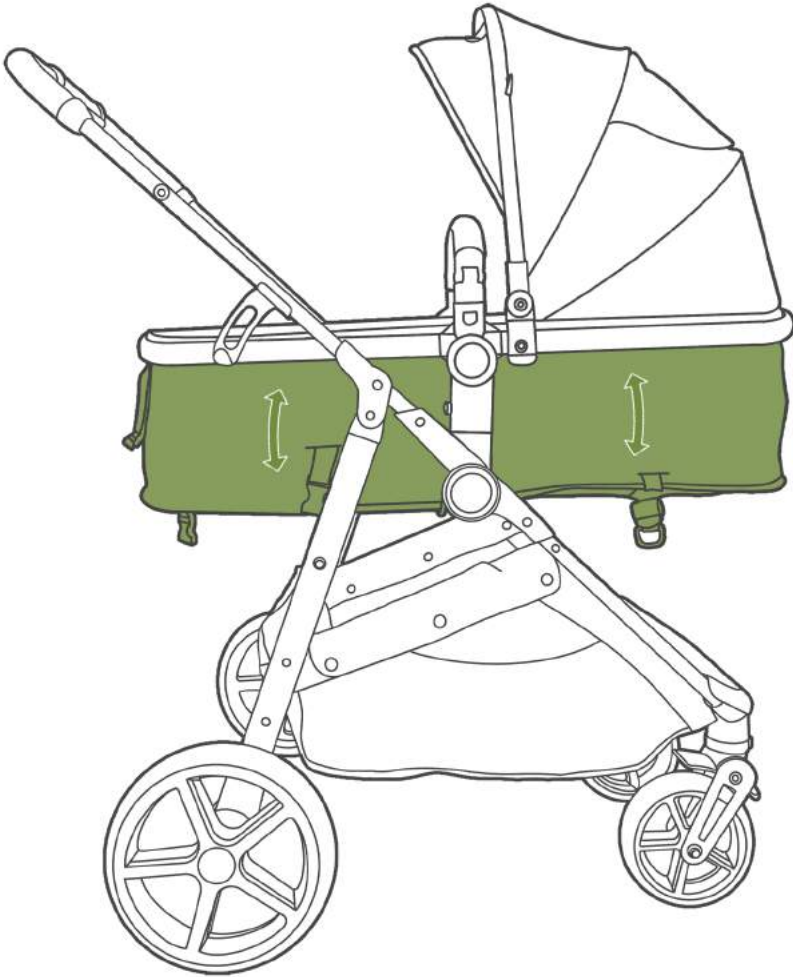




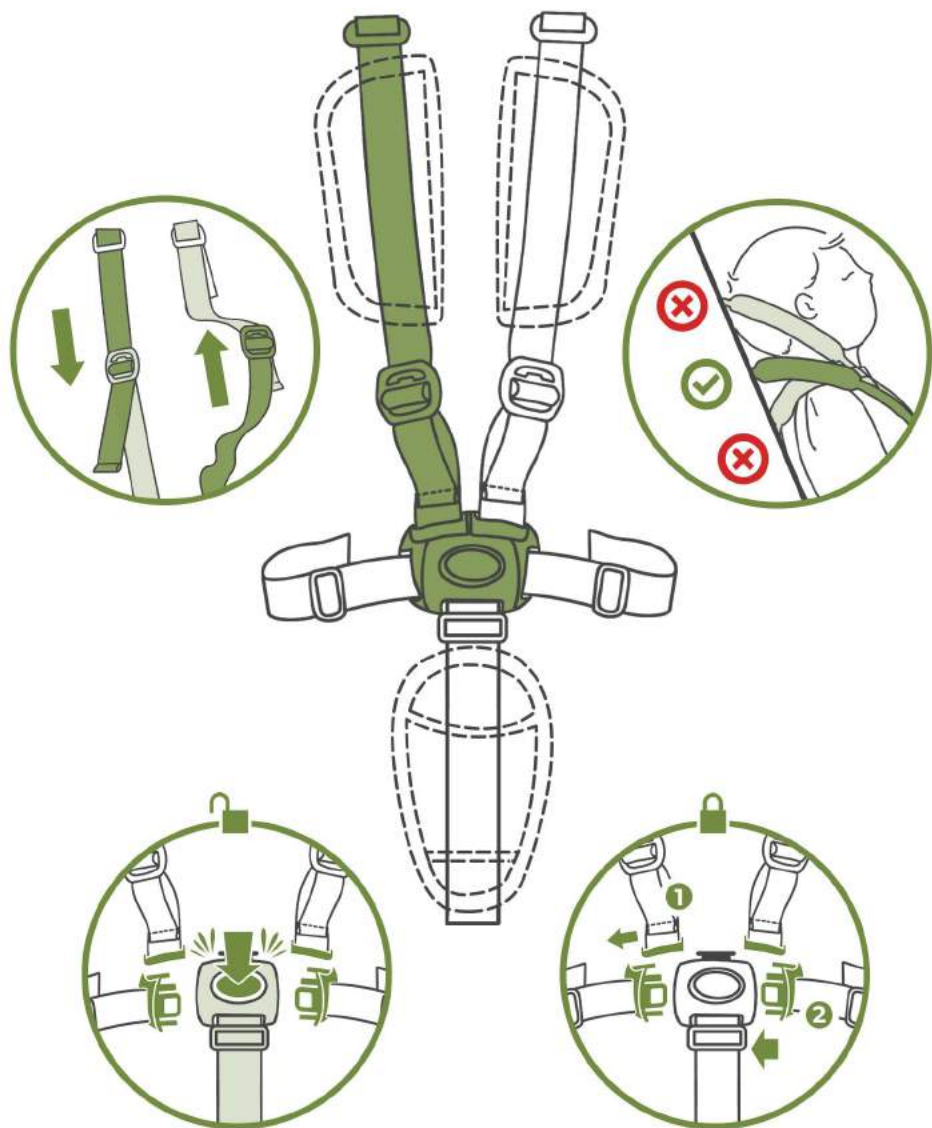




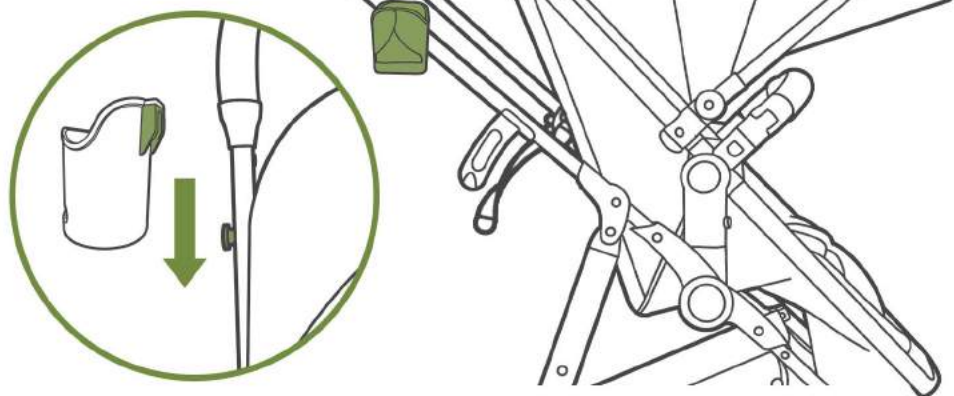
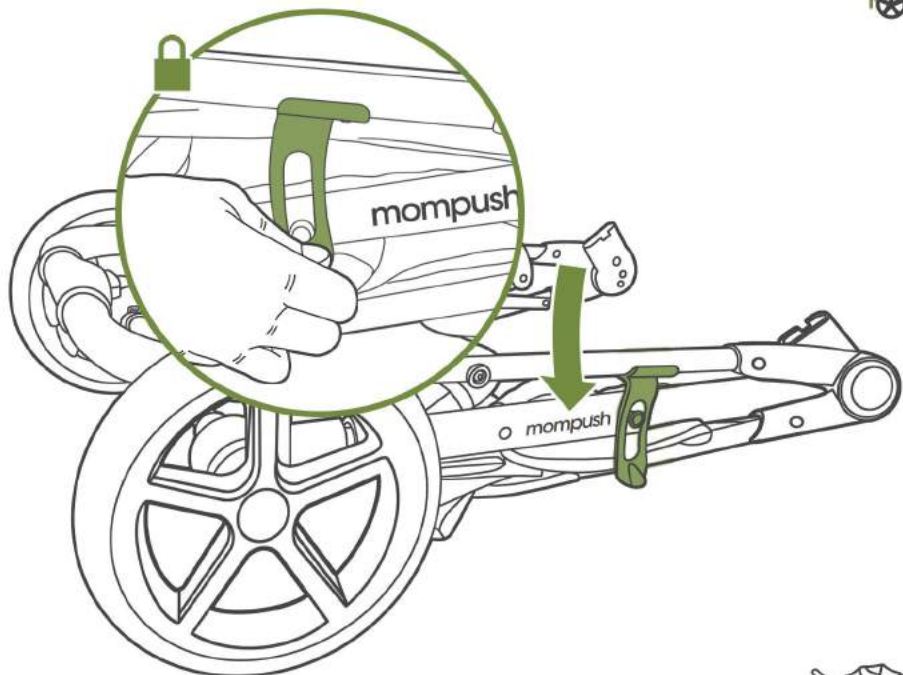
Newborn Bassinet

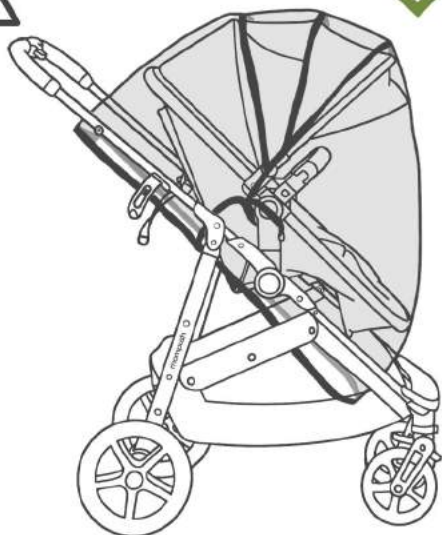
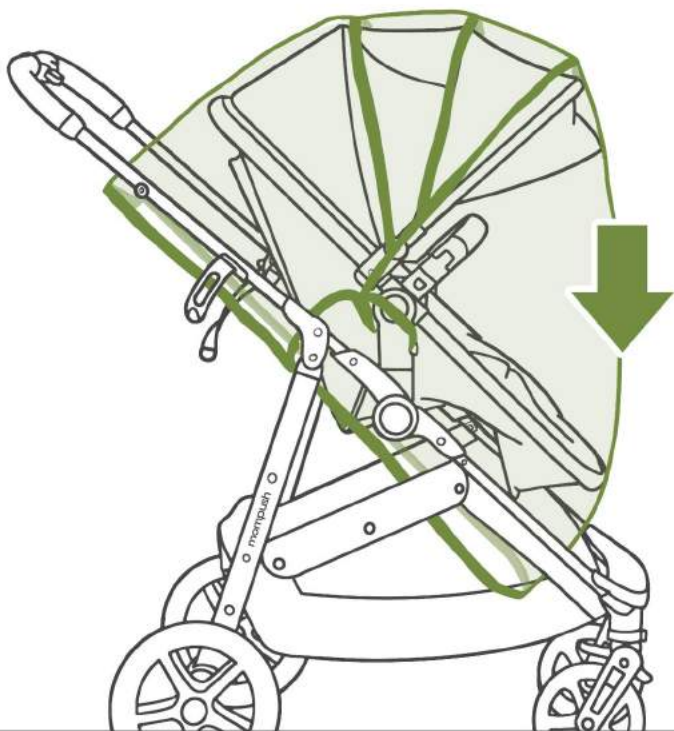


WARNING / Never use in reclined carriage position(s) unless the bassinet is in a fully flat position as indicated in the diagram, with a maximum weight not exceeding 20 lbs.









mompush®

USA | Mamababy INC. 8 The Green STE A, Dover, DE 19901

mompush.com

Model T629

All rights reserved. ©2023 Mompush. Mompush and all associated logos are trademarks. All product specifications are correct at time of print. Mompush reserves the right to change anything at any time without prior notice. Color representation is as close as print processes allow. Not all colors available at all retailers.



[himompush](https://www.facebook.com/himompush)



[mompush_stroller](https://www.instagram.com/mompush_stroller)



support@mompush.com