

# Table top Commercial Gas Stove Pot

## SPECIFICATION SHEET

## MODEL#: EMSP-SERIES



**MODEL # EMSP-1**

### Specifications

- Stainless steel body
- Self-produced good quality Cast Iron burner with power of 50,000BTU/H for natural gas and 76,000BTU/H for propane gas each
- Self-produced cast iron grate
- Brass Gas Valve from Alpha Brand
- Manual ignition
- Height Adjustable leg
- 3/4" rear gas connection and gas pressure regulator

### Choose GAS TYPE When Placing Order

- LPG**  
Liquefied Propane Gas
- NG**  
Natural Gas

### Models in EMSP series

- EMSP-1 Single Head Gas Stove Pot**
- EMSP-2 Double Head Gas Stove Pot**

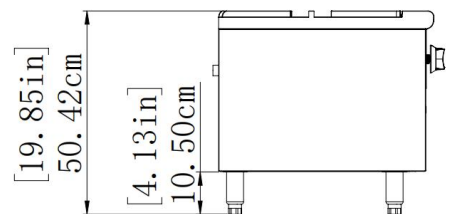
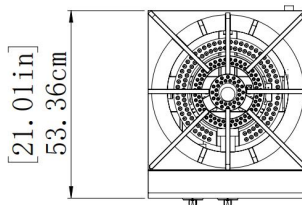
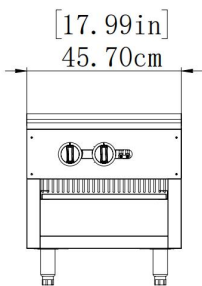
### Standard Accessories

- Adjustable bullet leg
- Convert kit of LP and NPG
- Gas pressure regulator

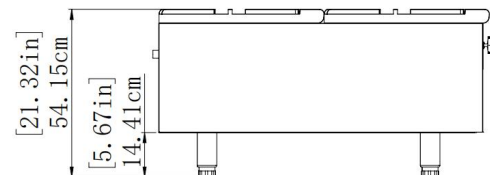
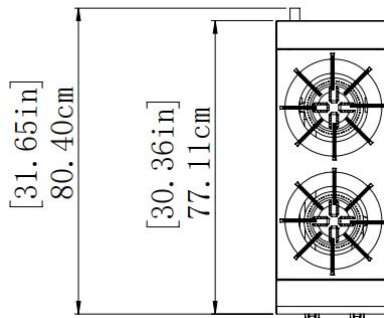
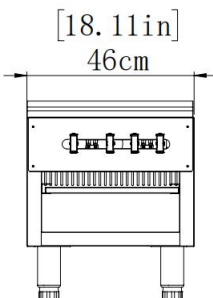
### PRODUCT DIMENSION CHART

### Model: EMSP-SERIES

**EMSP-1**



**EMSP-2**



Model	Product Dimension	Heat Power	Heating Burner	Gas Consumption	Gas inlet Connection	N.W	G.W	Packing dimension
EMSP-1	18.11x20.01x19.75 inch 460x550x502mm	76,000 BTU(NG) 50,000 BTU(LPG)	2	LPG: 1.315m <sup>3</sup> /h NG: 1.999m <sup>3</sup> /h	3/4" NPT Male	44kg	52kg	720X580X520mm
EMSP-2	18.11x41.98x21.32 inch 460x1085x549mm	76,000x2 BTU(NG) 50,000x2 BTU(LPG)	4	LPG: 2.63m <sup>3</sup> /h NG: 3.998m <sup>3</sup> /h	3/4" NPT Male	88kg	108.5kg	1225*570*535mm