



Heli's display is conveniently placed on the dash so operator can monitor truck's working condition, fault codes and other vital information

Standard configuration

Horn	Front combo lights	Speed-limiting valve
Three-spool control valve	Transmission oil filter	Lifting and tilting operation lever
3-stage full free lift mast	Rear combo lights	Tow pin
Power steering	Back-up alarm	Overhead guard
Semi-suspension seat	Overhead guard rain cover	Combined display
Load backrest	Standard forks	LPG Low Fuel Indicator
Rear view mirror	Integrated electric box	

Optional

Max. speed control system	Lifting OPS control system	LED headlights
LED Rotating Light	Torque converter oil temperature meter	No hand brake alarm
Dual Air Filter	Optional attachments	Rear grab handle with horn button
Hydraulic Fork Positioner	Rotating seat for LPG	
Rear work light	Swing Out/Drop-Down LPG Bracket	



ANHUI HELI CO., LTD.
DISTRIBUTOR: ANHUI HELI INDUSTRIAL VEHICLE IMP. & EXP. CO., LTD.
ADD: NO 668 Fangxing Street, Hefei 230601, China
TEL: (86 551) 63639068, 63639566
FAX: (86 551) 63639966
WEBSITE: www.helichina.net

Our products are subject to improvements and changes without notice.

AUTHORIZED DEALER

Catalog No.181225 Fokell Print



**4000-6500 lbs (2-3.2 ton)
H3C IC Cushion Tire Forklift
CP(Q)YD20-32C**

H3C series | HIGH EFFICIENCY
ENERGY SAVING

CP(Q)YD20-32C



Heli H3C Series Features
*Improved performance
Superior quality*

> Ergonomics

- > Vibration isolators separate the operator compartment from the main frame and the engine/transmission which absorb the truck's vibration for increased operator comfort
- > Engine performance and repositioned hydraulic pump offer quieter and smoother operation and less noise
- > Improved hydraulic control functions also reduce noise and increase performance

> Operator Comfort - Visibility

- > Operator compartment has been enhanced by creating more foot and leg room with plenty of head room under the overhead guard
- > Visibility has been improved with narrower mast channels and more open overhead guard
- > Higher contrast LED display makes it easier to see in all lighting conditions
- > Comfortable suspension seat is standard with full adjustment for different operators
- > Low, wide step and grab handle make for easy entry to operator's compartment
- > Controls and park brake are within easy reach to reduce operator strain

> Increased Productivity

- > Smaller turning radius and hydraulic power steering makes for tighter turns and easier steering operation
- > Reliable powershift transmission relieves operator from constantly shifting transmission
- > H3C series hydraulic performance has been enhanced for maximum productivity
- > Ergonomically designed operator's compartment enhances operator productivity, as well as providing safety and comfort

> Improved Performance

- > All aluminum radiator increases air flow and dissipates heat more efficiently
- > Smaller steering wheel with fewer turns lock-to-lock for quicker turns
- > 35% faster lifting speeds over previous generations
Lifting cylinders are damped to reduce noise and provide smoother operation
- > Heavy duty powertrain offers exceptional performance in all applications

> Serviceability

- > Hood opens to an 80 degree angle and floor board is removable for easier access to all important chassis components
- > Electrical system, wiring, and hydraulic hoses are convenient and logically laid out with access from above and below
- > All grease points are accessible, including cast steel axle
- > Lubrication chart is located on front of operator compartment to highlight essential lubrication requirements

> Safety

- > All Heli forklifts for North America meet ANSI B56.1 Safety Standard for Powered Industrial Trucks as well as meeting requirements for CE approval
- > All Heli forklifts come standard with Operator Presence System
- > Optional rear grab handle and horn button allows operator to safely drive in reverse
- > Strobes, Beacons or Blue Lights and Alarms are all available



CP(Q)YD20-32C



Manufacturers Data and Design Characteristics

Table with columns for Character, Manufacturer, Model (CP(Q)YD20C, CP(Q)YD25C, CP(Q)YD30C, CP(Q)YD32C), Power unit, Rated capacity, Load center, Operation mode (Seated), and Size.

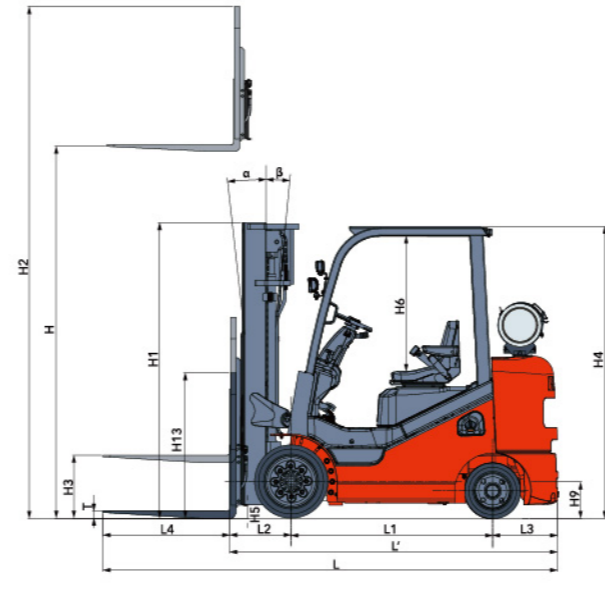
Table with columns for various dimensions (H, H1, H2, H3, H4, H5, H6, H9, H13, L1, L2, L3, L4, W1, W2, r, r', Ra, alpha/beta) and corresponding values for models CP(Q)YD20C, CP(Q)YD25C, CP(Q)YD30C, and CP(Q)YD32C.

Table with columns for Performance (Max traveling speed, Lifting Speed, Lowering Speed, Max drawbar pull, Max Gradeability) and Weight (Total weight, Weight distribution loaded/unloaded).

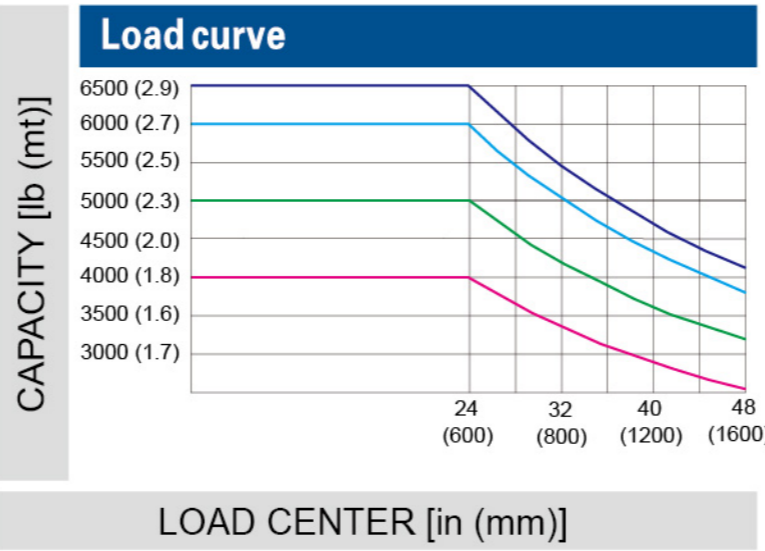
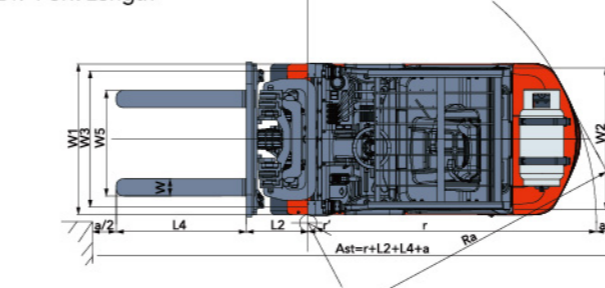
Table with columns for Wheel and tire (Wheel number, Tire type/size), Service brake, and Parking brake.

Engine Model and Specification

Table with columns for Engine type, Battery (Voltage/Capacity), Engine mode (Mitsubishi 4G64, Kubota WG2503), Engine rated power, Engine rated torque, Piston displacement, Emission standards, Engine fuel tank capacity, and Transmission box shifting gears.



Ast: Right angle stacking aisle width
a: Clearance
L4: Fork Length



NOTE: Capacities shown are reference only. They are computed with mast in vertical position based on 48 inch cube load configuration with center of gravity at true center of cube and standard forks. Longer forks and unusually wide loads can reduce capacity. Consult dealer for any questions about capacities.

4000-6500lb WIDE VIEW MAST

Table with columns for Mast model, Loading capacity-loading center 24, Mast Overall Height fork to the ground, Free lift (With Backrest), Service Weight, and Mast tilt angle (Fw/Bwd).

4000-6500lb WIDE VIEW FULL FREE 2-STAGE MAST

Table with columns for Mast model, Loading capacity-loading center 24, Mast Overall Height fork to the ground, Free lift (With Backrest), Service Weight, and Mast tilt angle (Fw/Bwd).

Note: 4000-5000lb free lift height(without backrest)+14.3in; 6000-6500lb free lift height(without backrest)+18.8in;

4000-6500lb WIDE VIEW FULL FREE 3-STAGE MAST

Table with columns for Mast model, Loading capacity-loading center 24, Mast Overall Height fork to the ground, Free lift (With Backrest), Service Weight, and Mast tilt angle (Fw/Bwd).

Note: 4000-5000lb free lift height(without backrest)+14.2in; 6000-6500lb free lift height(without backrest)+19.

4000-6500lb WIDE VIEW FULL FREE 4-STAGE MAST

Table with columns for Mast model, Loading capacity-loading center 24, Mast Overall Height fork to the ground, Free lift (With Backrest), Service Weight, and Mast tilt angle (Fw/Bwd).

Note: 4000-5000lb free lift height(without backrest)+12in; 6000-6500lb free lift height(without backrest)+21.6in;