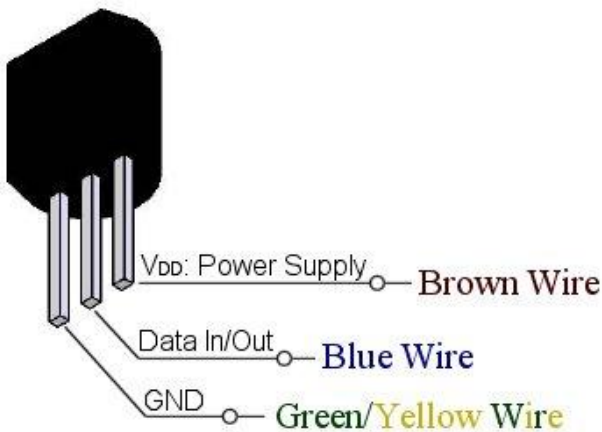


Specifications: 1WT_8SSP_3_RGD_3m_3w

General Description:

- Stainless Steel probe 1-wire temperature sensor
- Uses DS18B20+ chip with 12 bit resolution
- Approx 75mm long 8mm Diameter stainless steel probe
- 3m long heavy duty 3-conductor 18AWG stranded cable
- Rugged assembly
- Rated for automotive applications
- Label showing RomID of DS18B20 chip



DS18B20 Sensor Element wired as shown in the diagram above.

Cable length 3m: Strip & Tin approx 7mm

Approx 50mm length of heavy duty dual-walled heat shrink overlapping 1 inch of both the cable and probe to provide additional seal & strain relief.

Chip, wires, & solder connections are inserted and potted into stainless steel tube with hardened epoxy.

Approx 42mm exposed probe

8mm diameter



Sensor & Probe Specifications:

Sensor Accuracy (-10 to 85 DegC)	+/- 0.5 DegC
Sensor Accuracy (-55 to 125 DegC)	+/- 2.0 DegC
Sensor Resolution (DS18B20)	12 Bit
Supply Voltage	3.0 to 5.5V
Active Current	1 to 1.5 mA