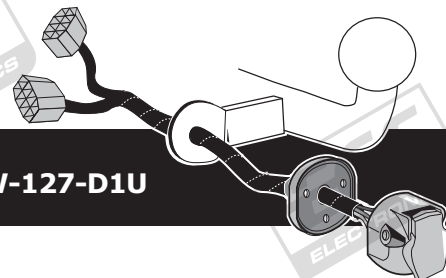


**Volkswagen Passat Sedan 2005- /2013-
Volkswagen Passat Variant 2005- /2013-
Volkswagen Passat Variant Alltrack 2012-
Volkswagen Passat CC 2008-
Volkswagen CC 2013-**

Partnr.: VW-127-D1U



- Fitting instructions electric wiring kit tow bar with 13-P socket up to DIN/ISO Norm 11446.
- We would expressly point out that assembly not carried out properly by a competent installer will result in cancellation of any right to damage compensation, in particular those arising by virtue of the product liability act.
- Contents of these kits and their fitting manuals are subject to alteration without notice, please ensure that these instructions are read and fully understood before commencing installation.
- Do not overload circuits; the maximum loads per connection are detailed in this manual.
- Attention! Before Installation, please read this manual carefully and inform your customer to consult the vehicle owners manual to check for any vehicle modifications required before towing.
- In the event of functional problems, troubleshooting must be limited to about 0.5 hours, contact the installers support: customercare@ecs-electronics.com / 00800 22 55 23 27.

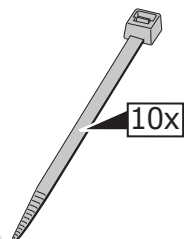
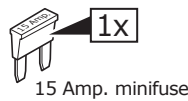
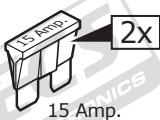
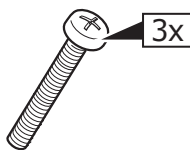
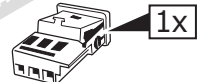
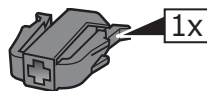
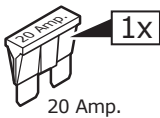
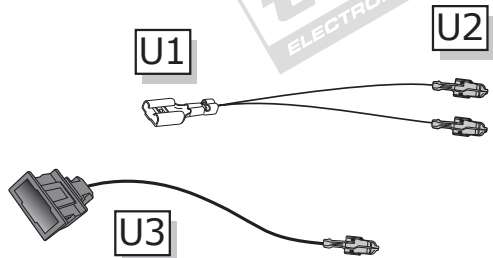
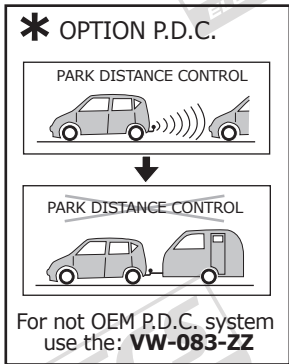
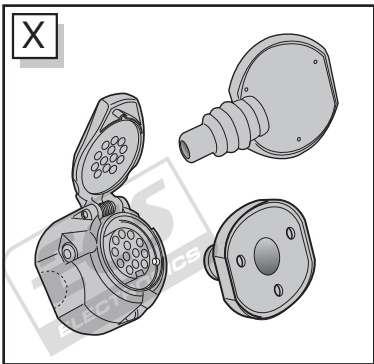
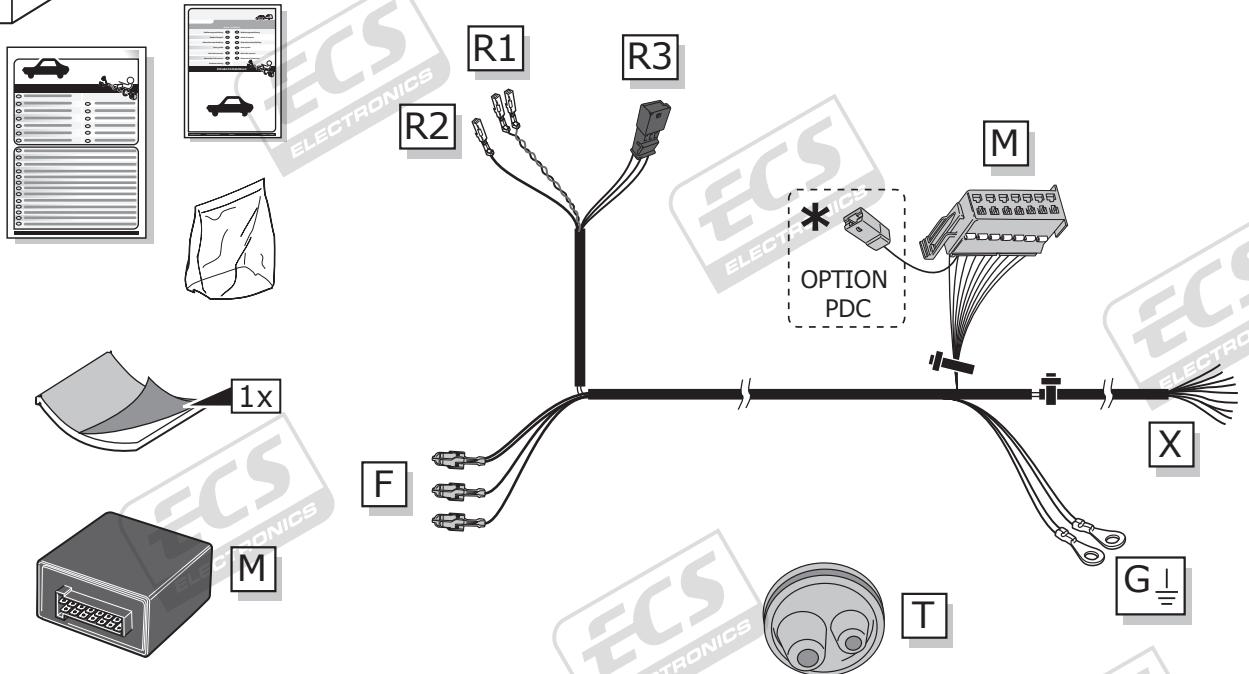
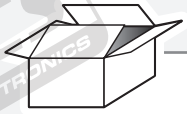


**00800
22 55 23 27
CALL2ECS**

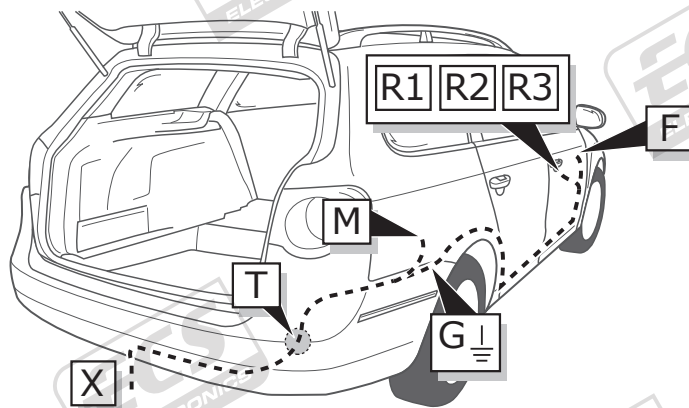
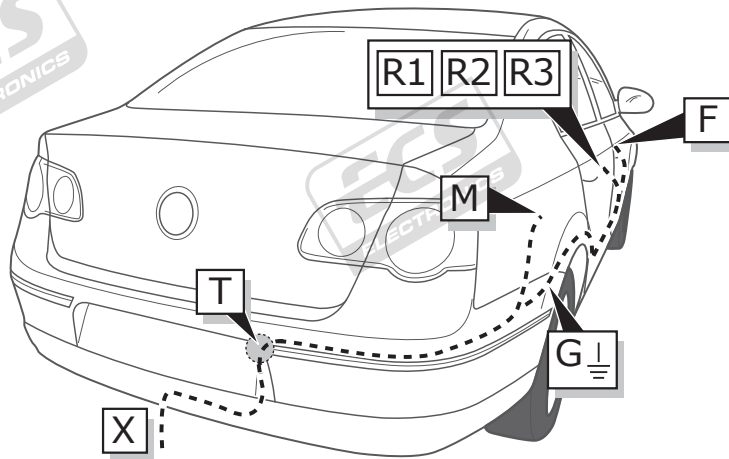
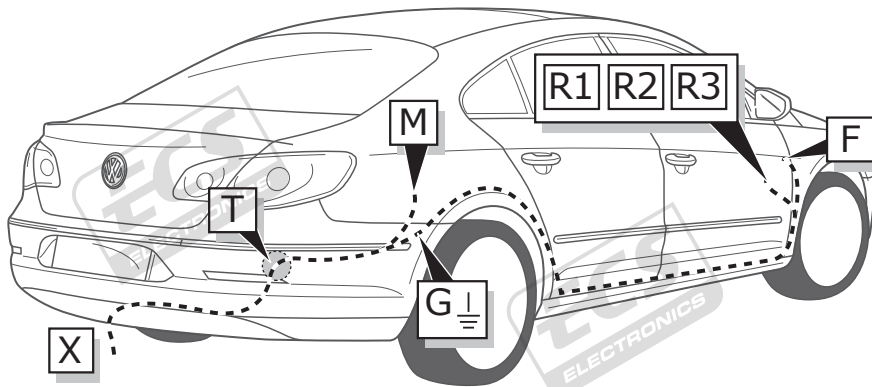
Monday - Friday
08.00am - 11.00am
12.00am - 05.00pm GMT

customercare@ecs-electronics.com
www.ecs-electronicsuk.co.uk

Part list

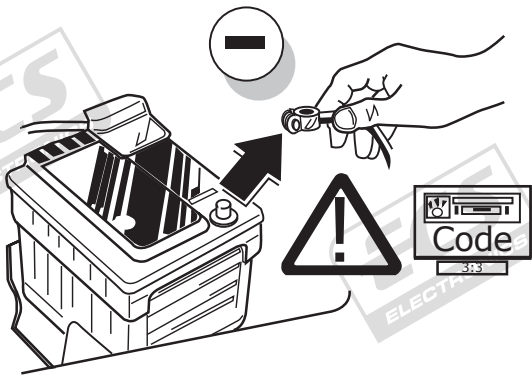


ROUTING



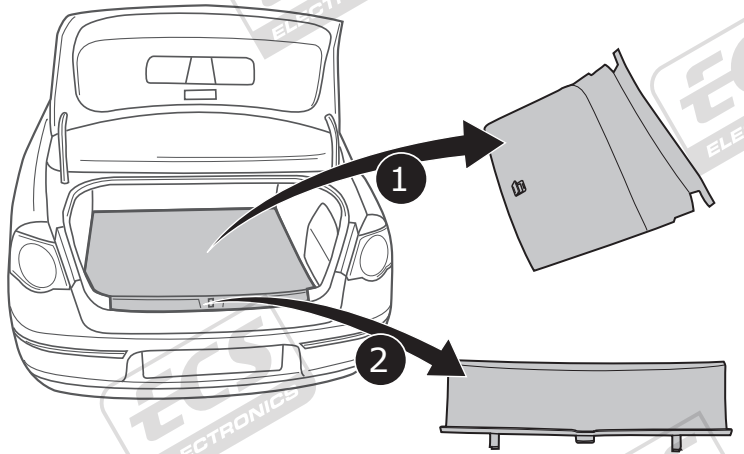
SEDAN / VARIANT / CC

1



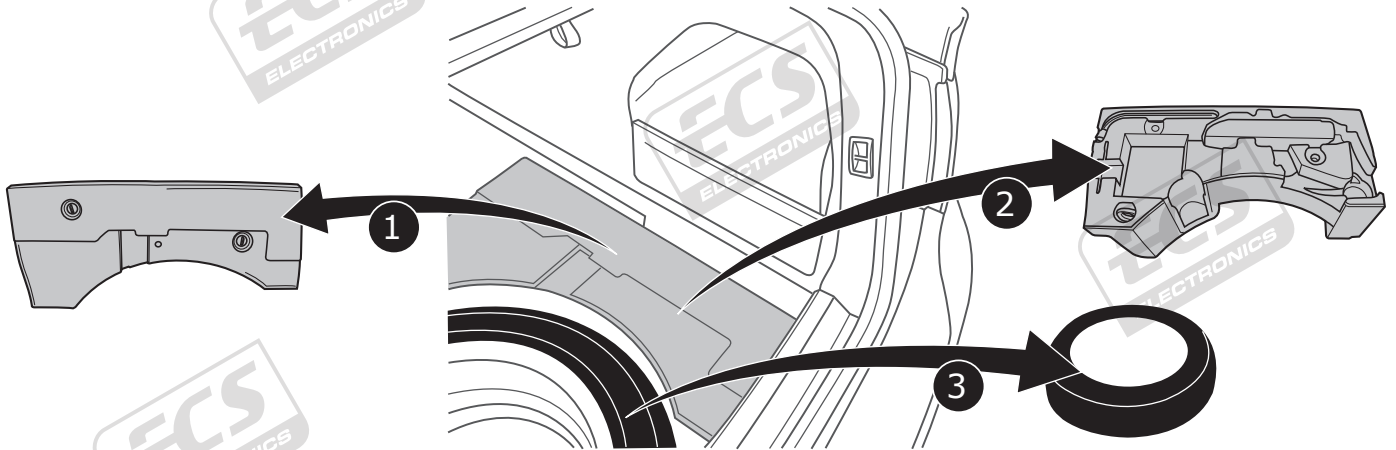
SEDAN 2005-2010 - CC

2

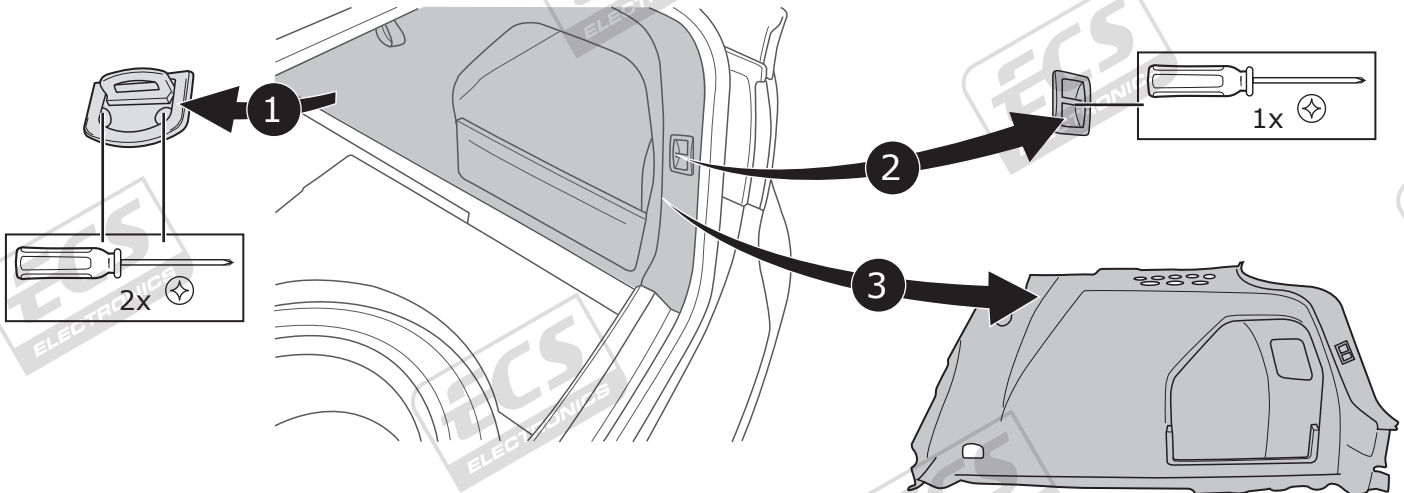


SEDAN 2005-2010

3

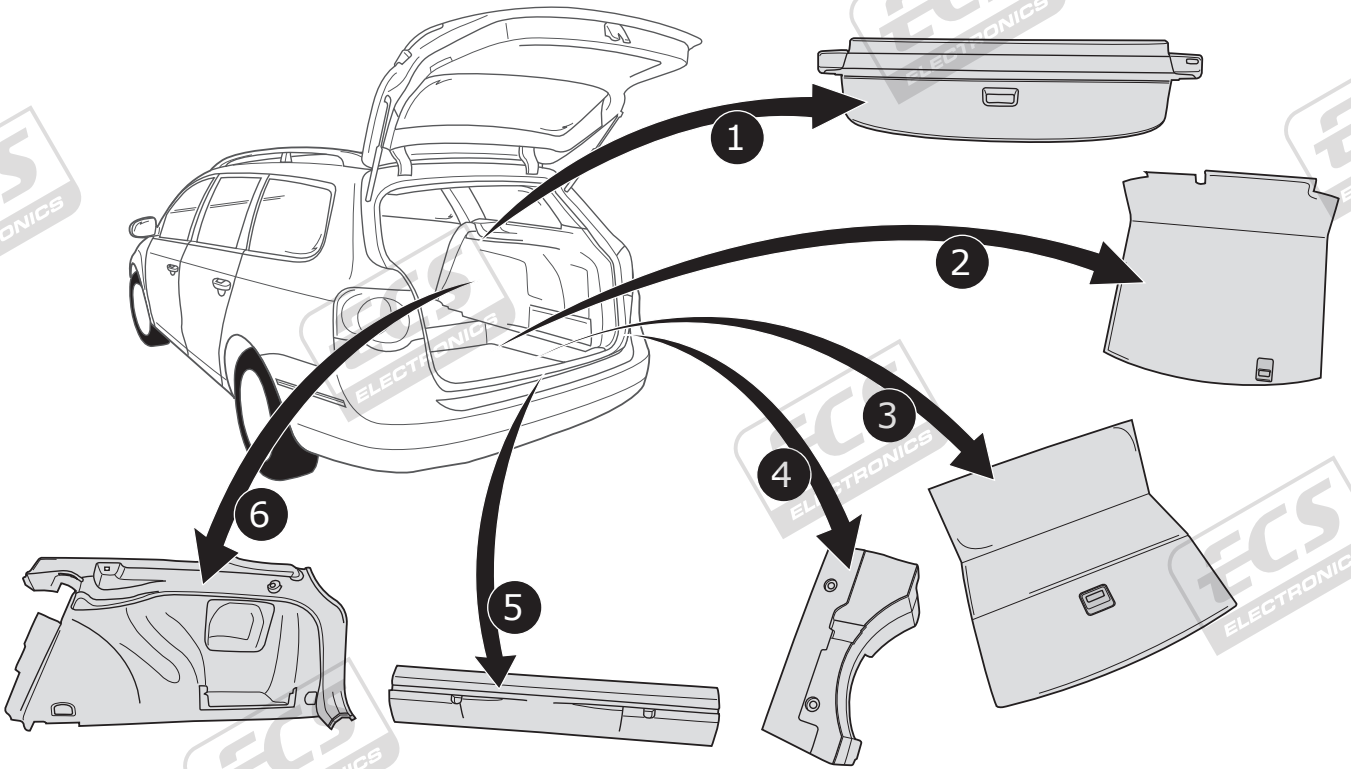


4



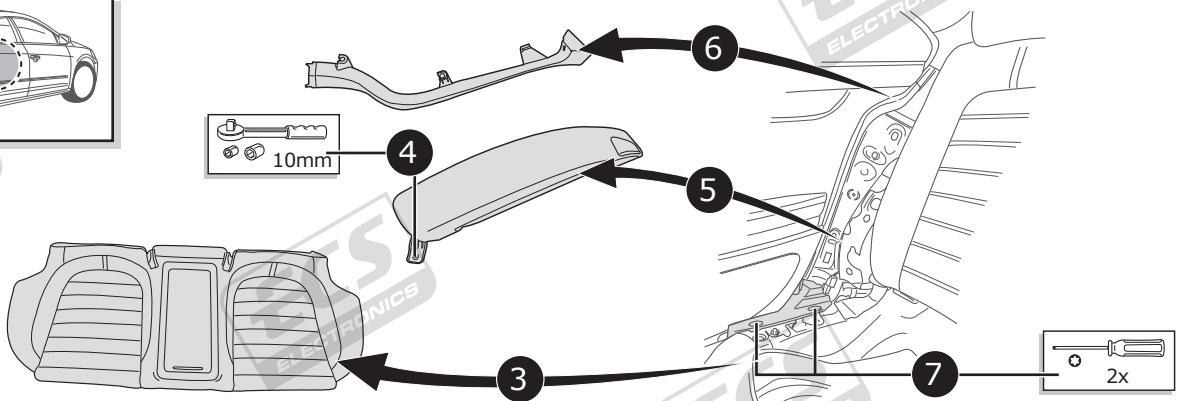
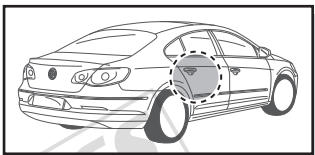
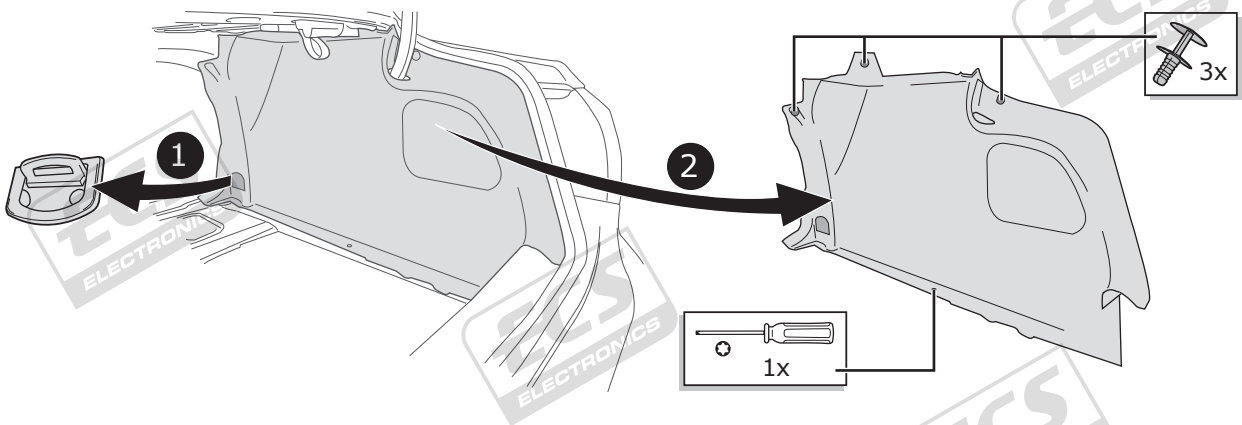
VARIANT

5



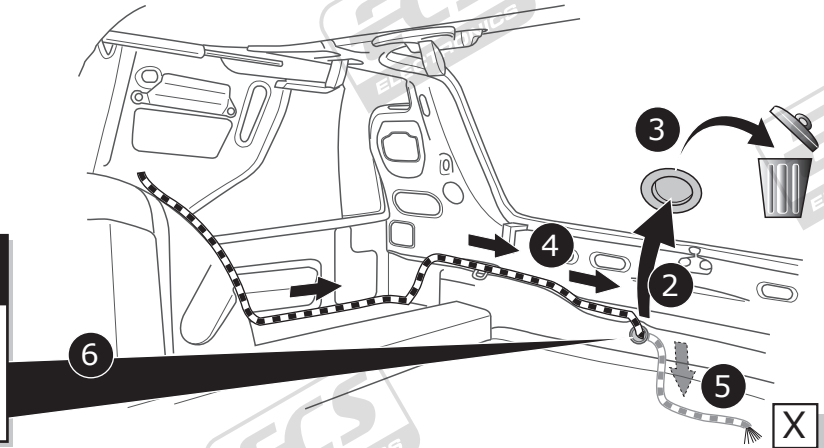
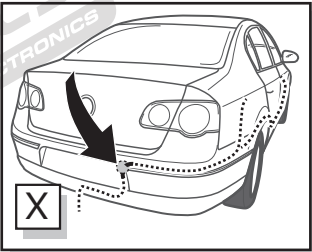
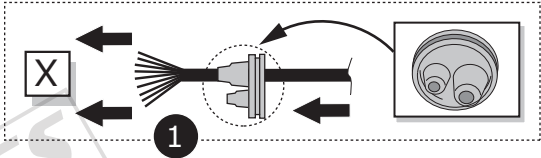
CC / SEDAN 2011->

6



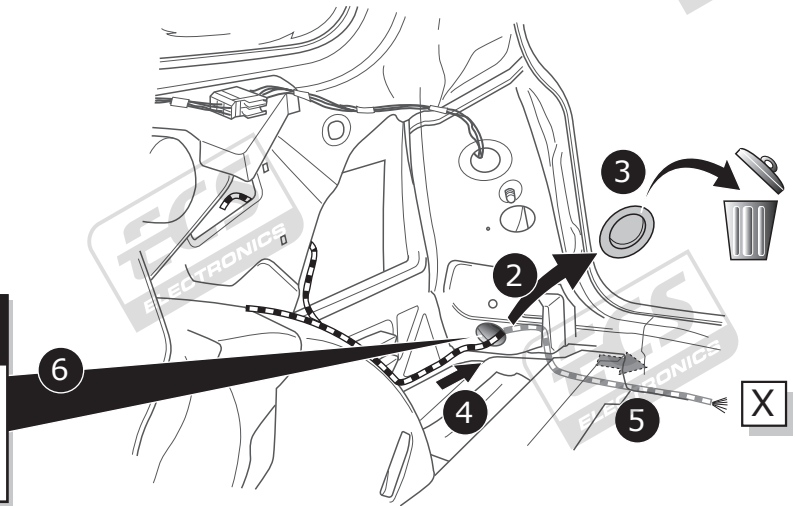
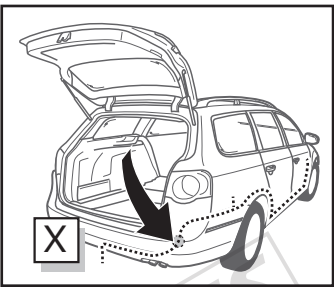
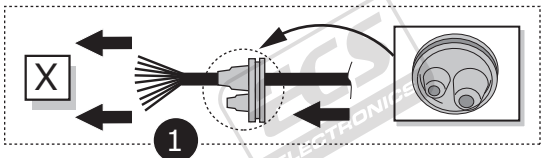
SEDAN

7



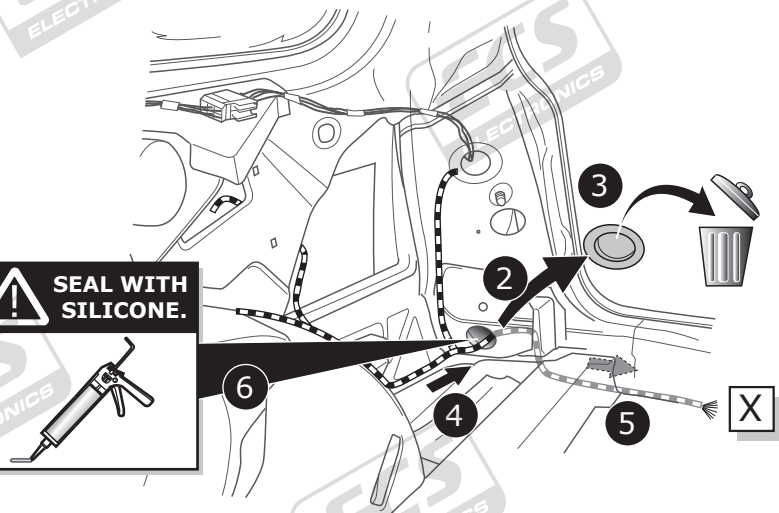
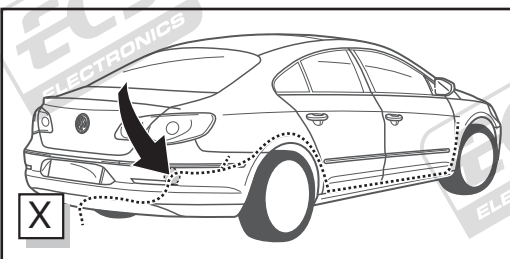
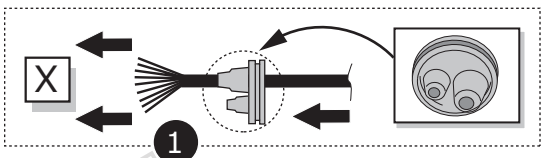
VARIANT

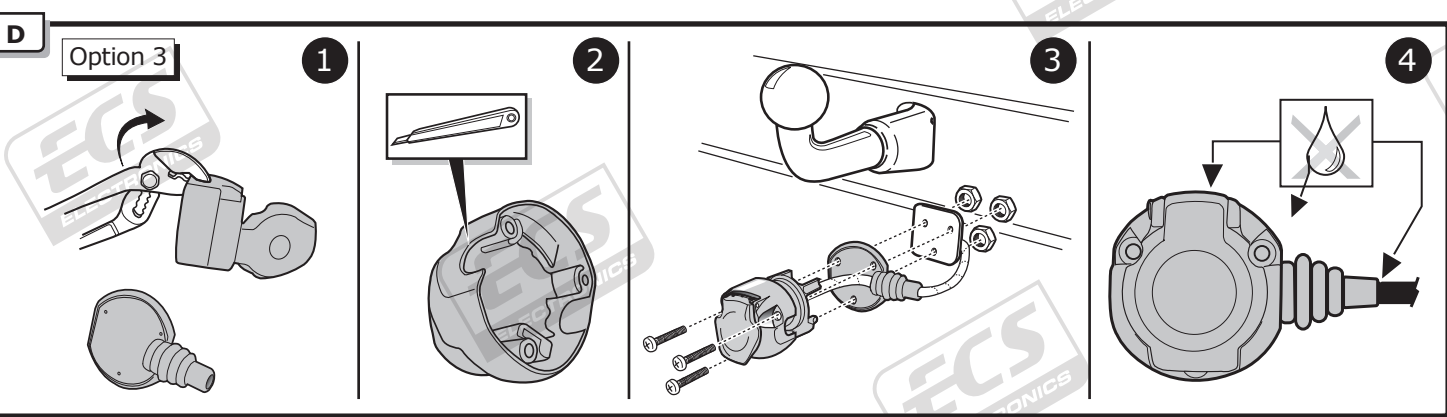
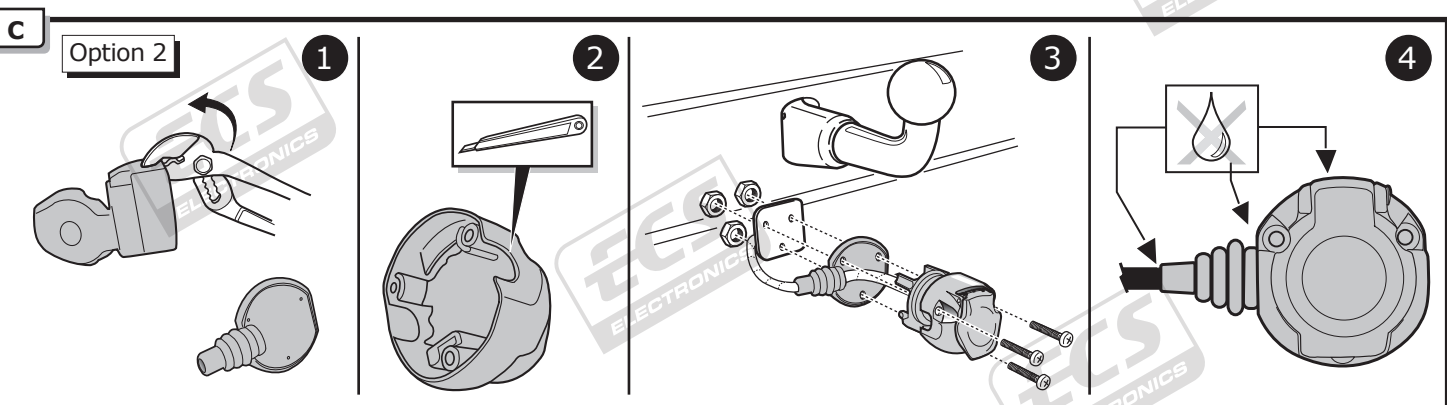
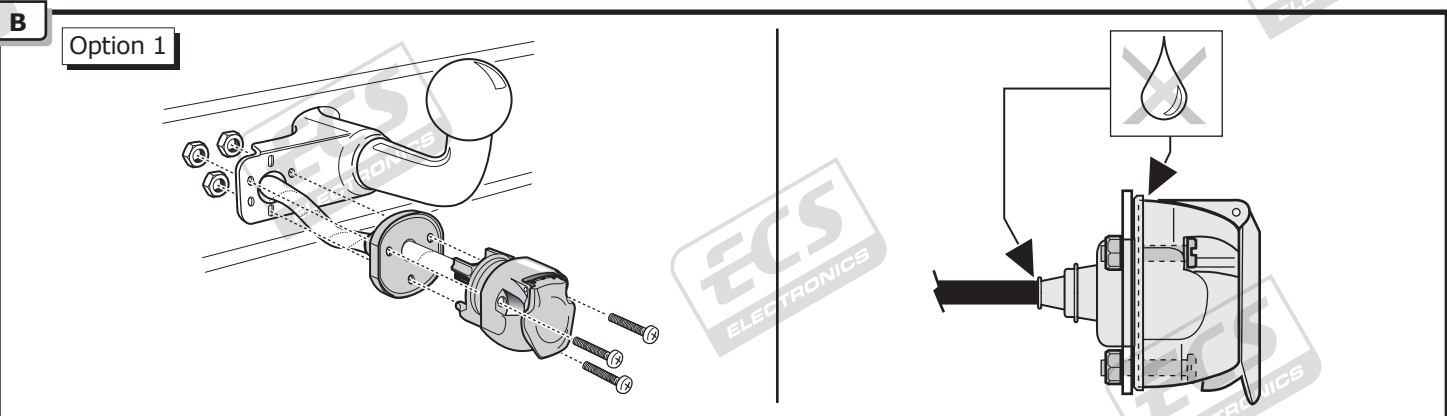
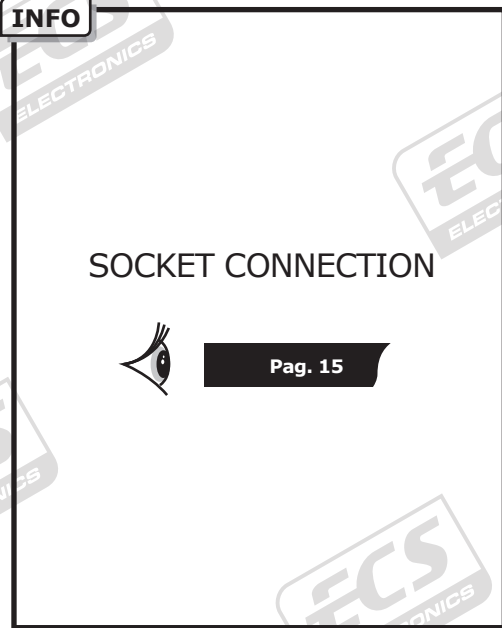
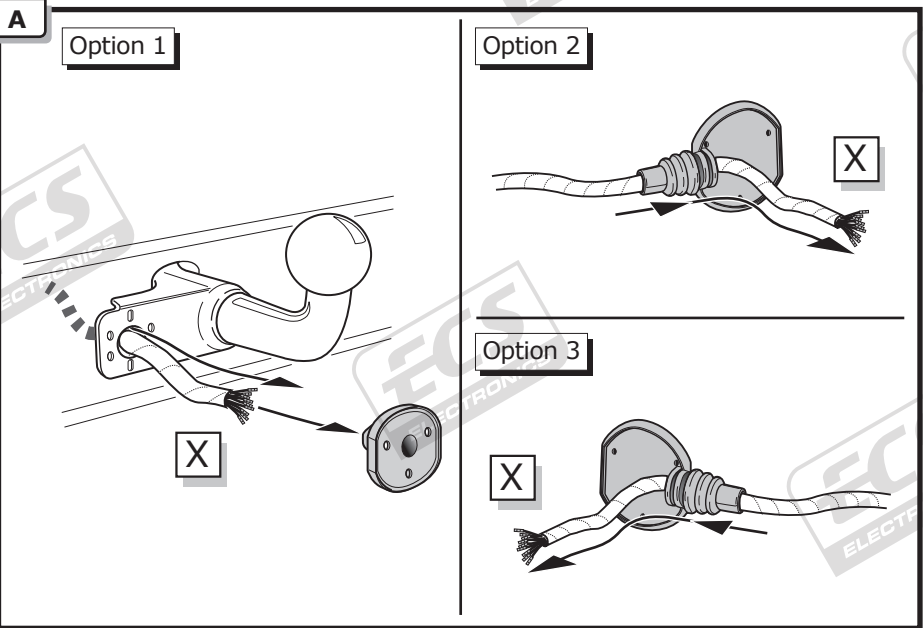
8



CC

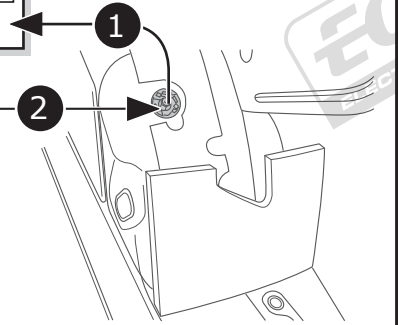
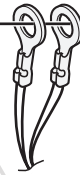
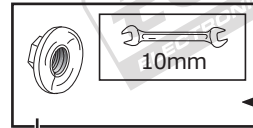
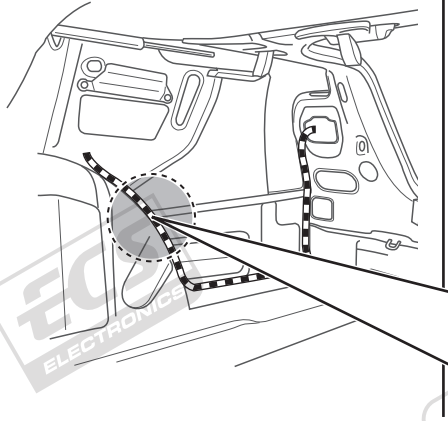
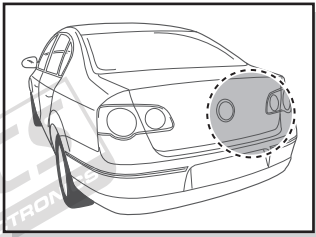
9





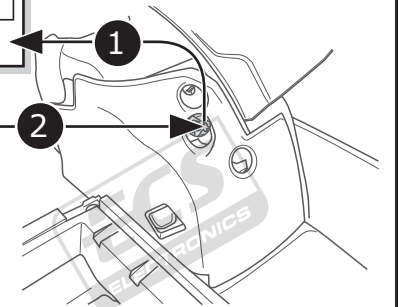
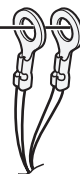
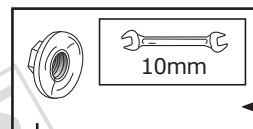
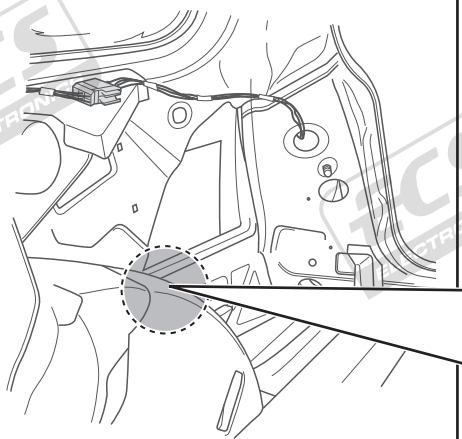
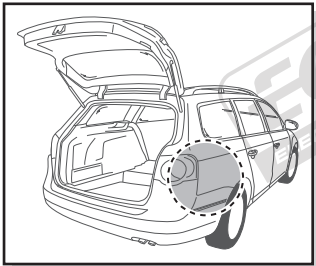
SEDAN 2005-2010 / CC

10



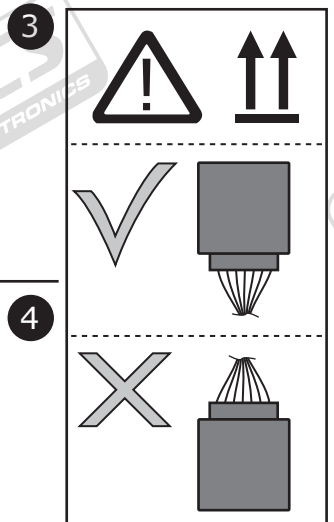
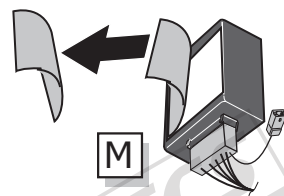
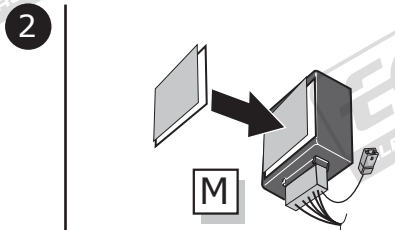
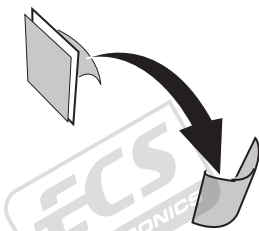
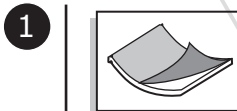
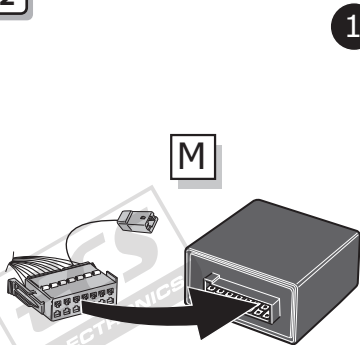
VARIANT / SEDAN 2011->

11



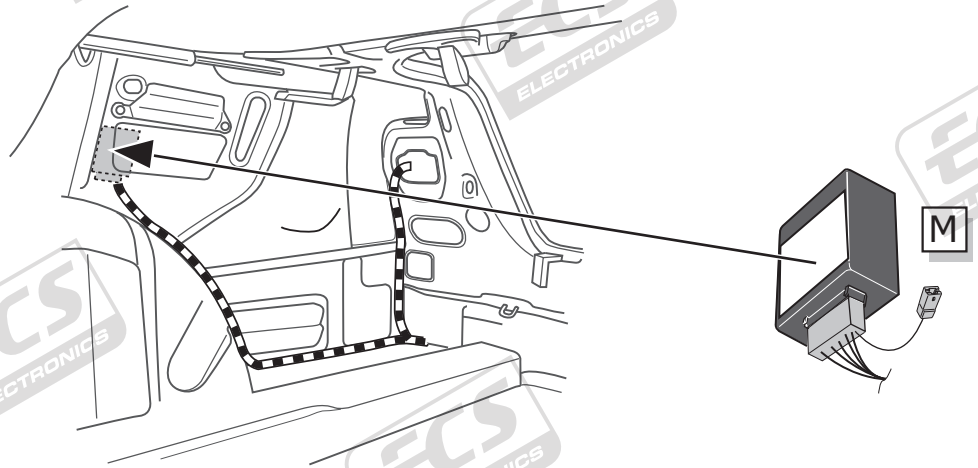
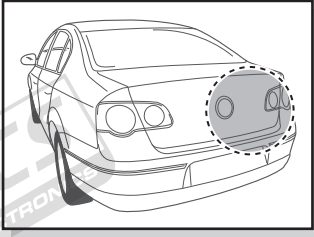
SEDAN / VARIANT / CC

12



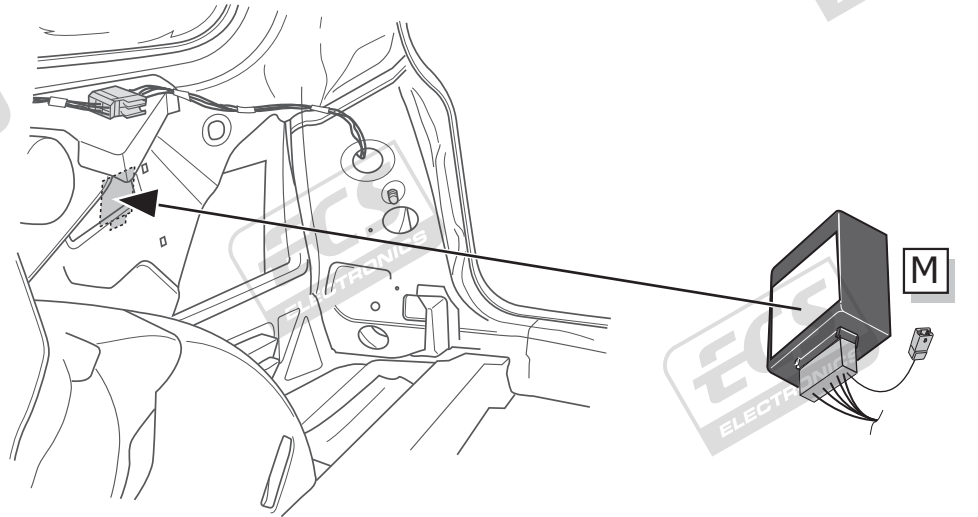
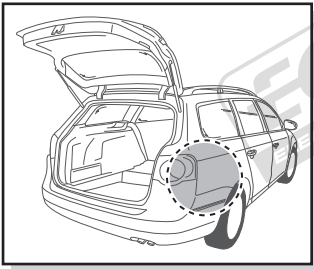
SEDAN / CC

13



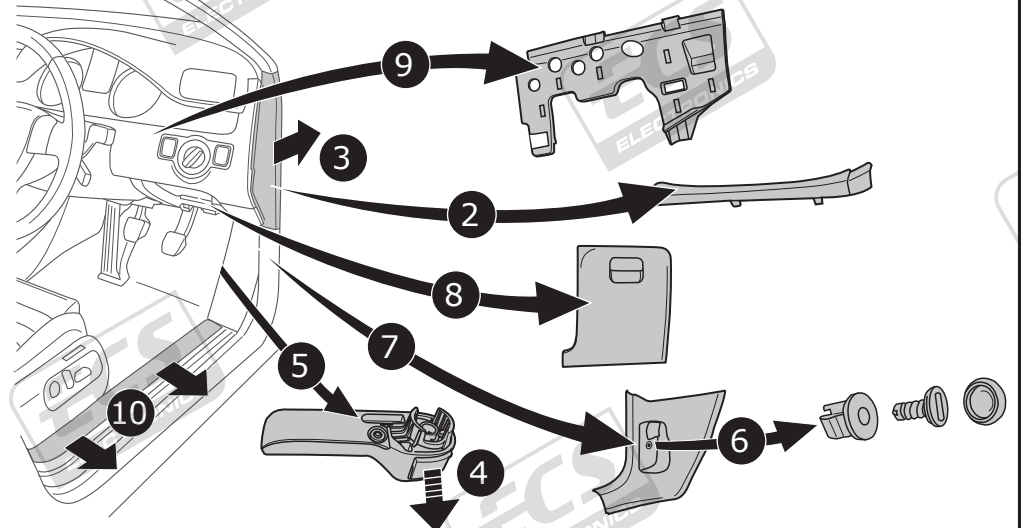
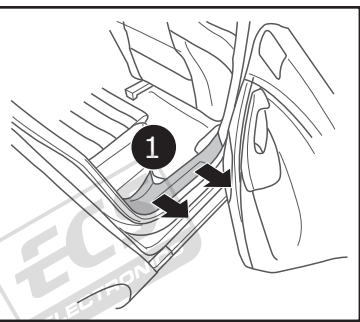
VARIANT

14

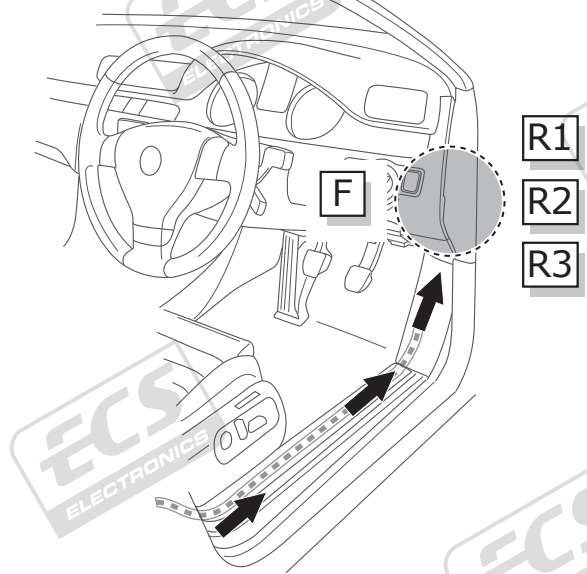
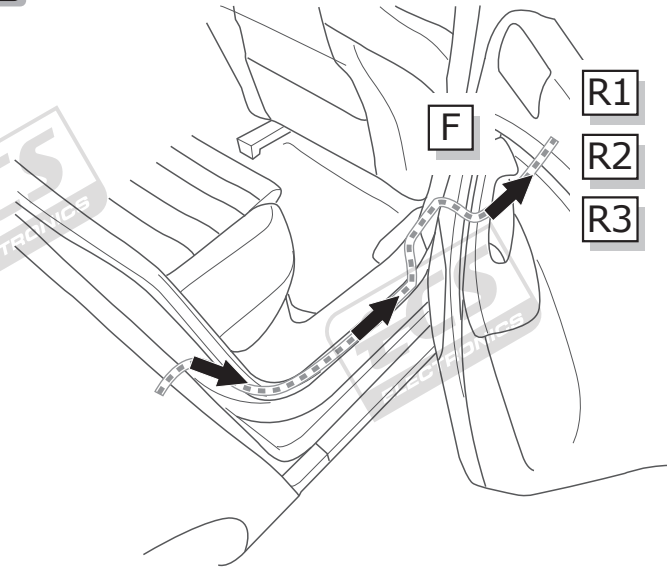


SEDAN / VARIANT / CC

15

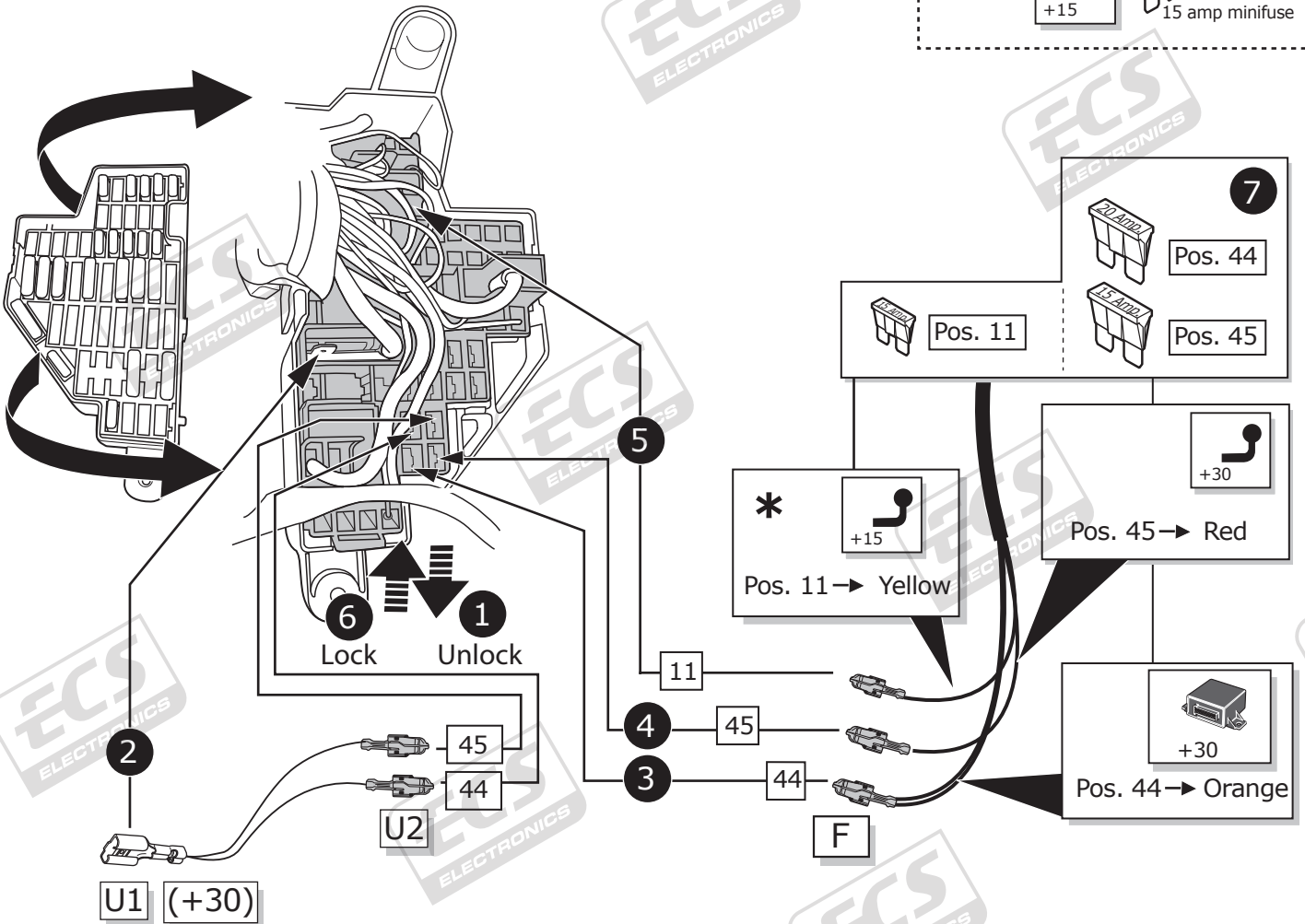
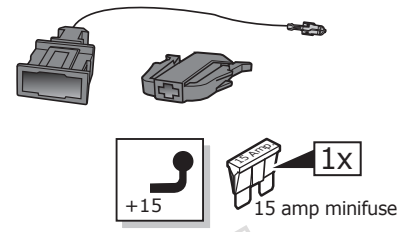


16

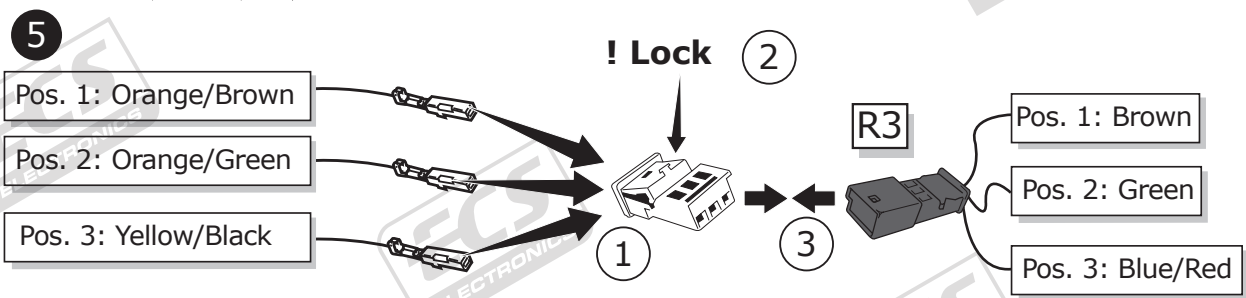
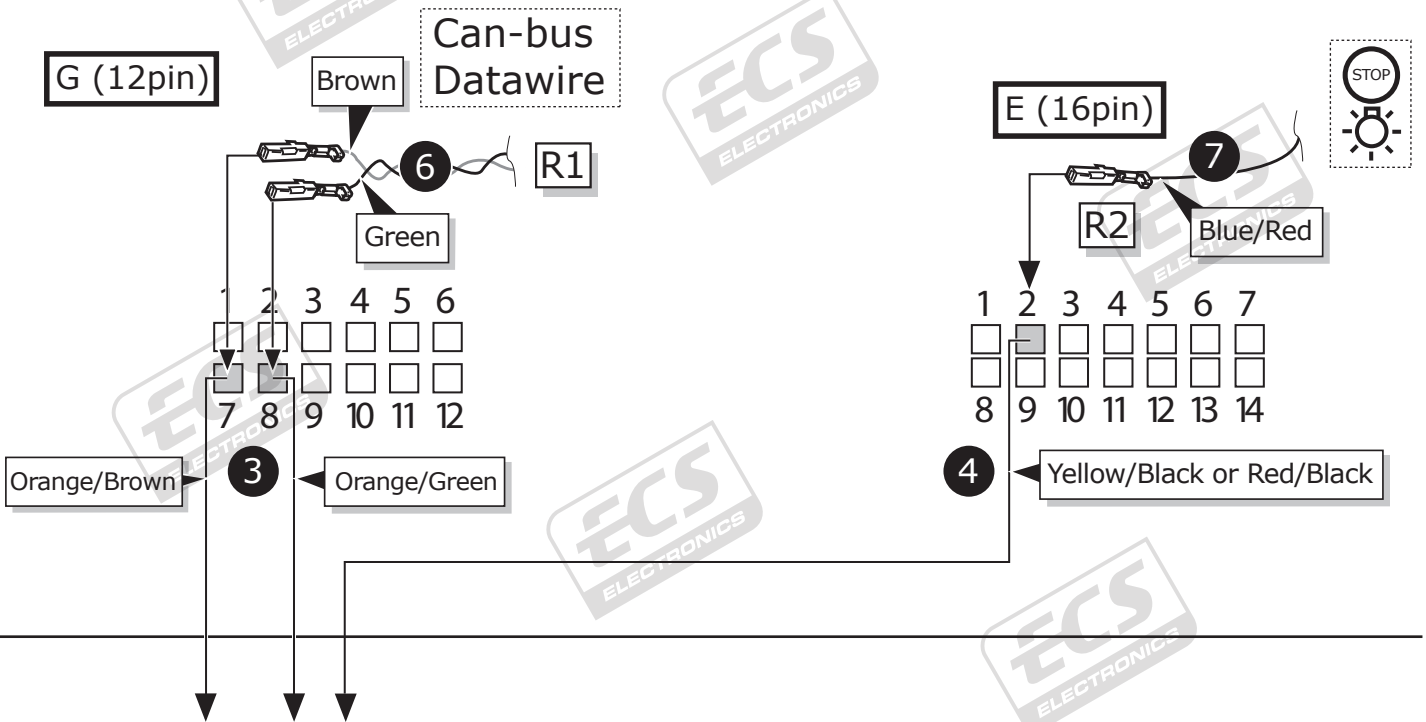
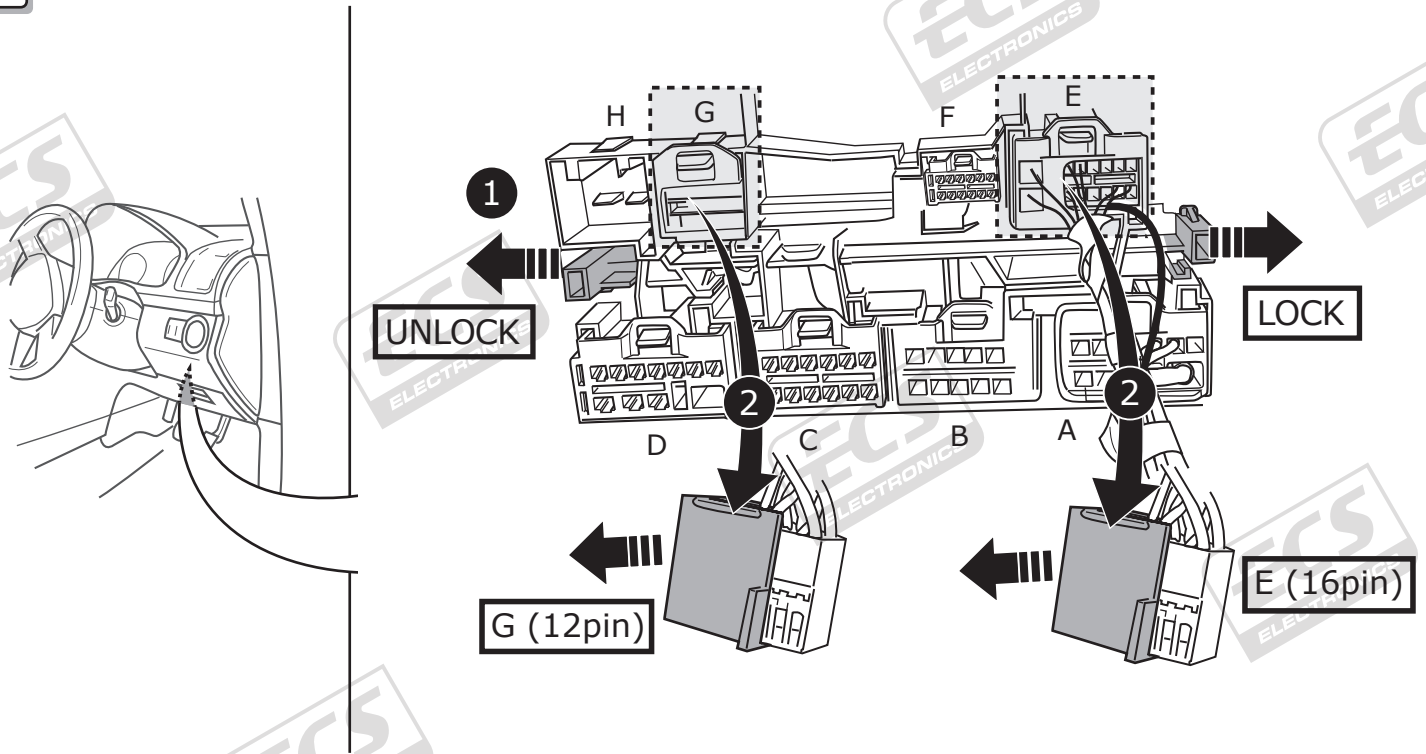


17

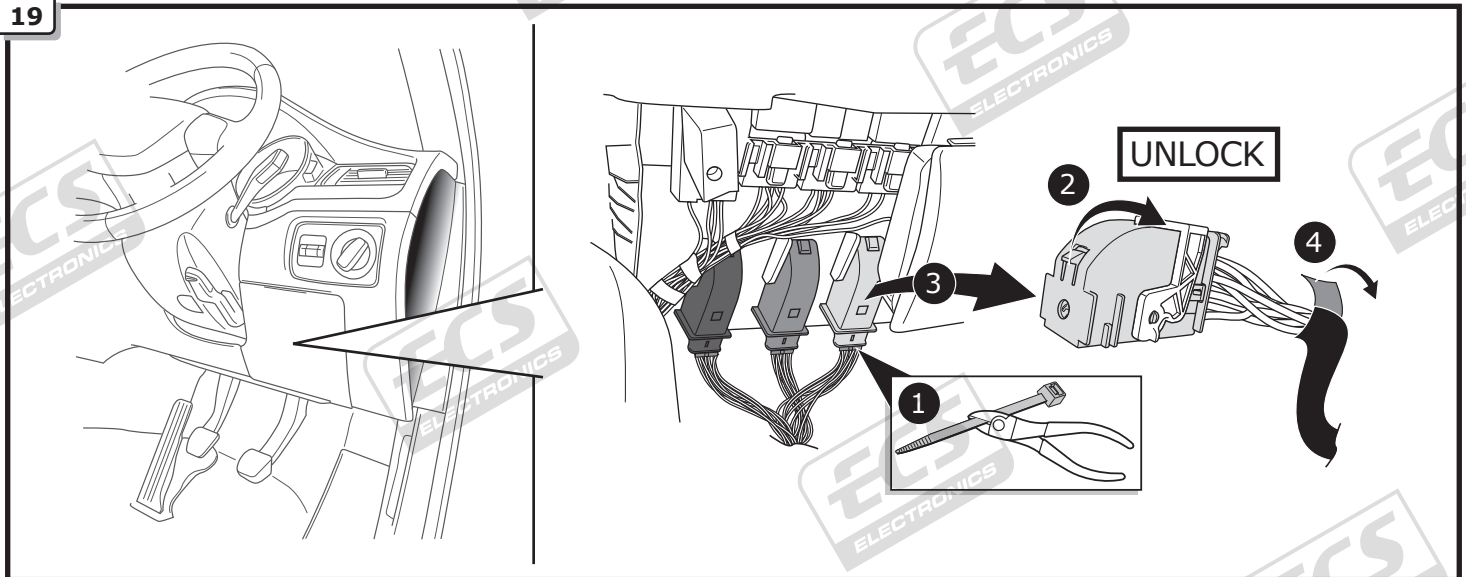
* If pos. 11 is taken, choose free pos.



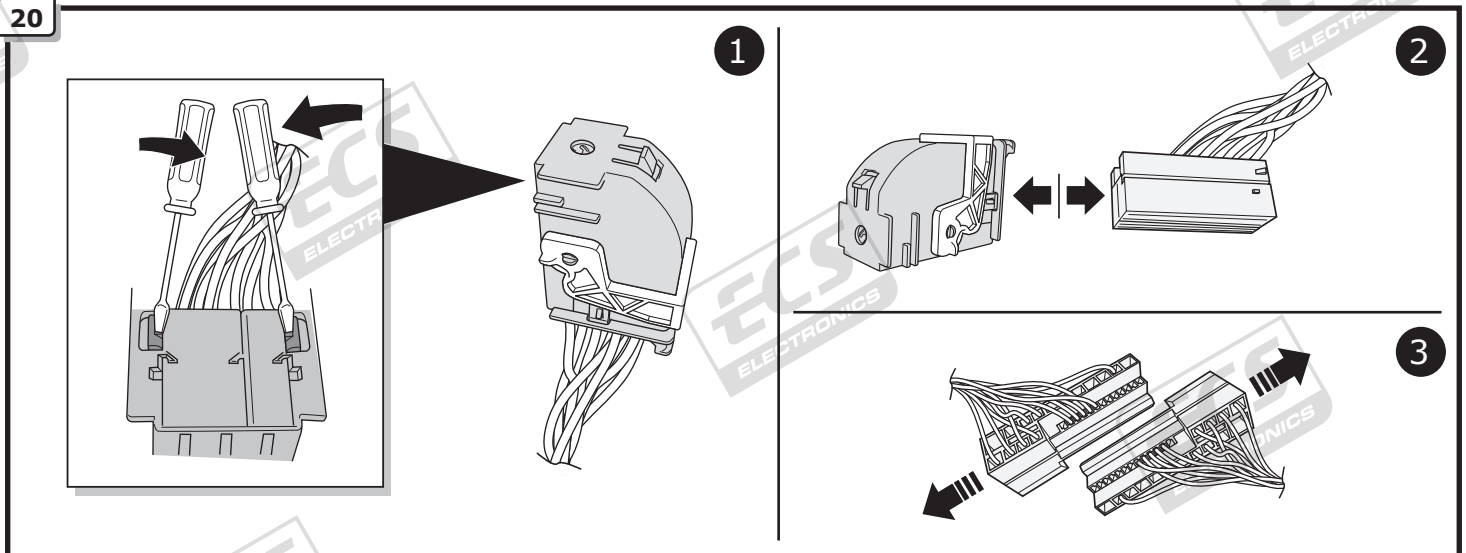
18



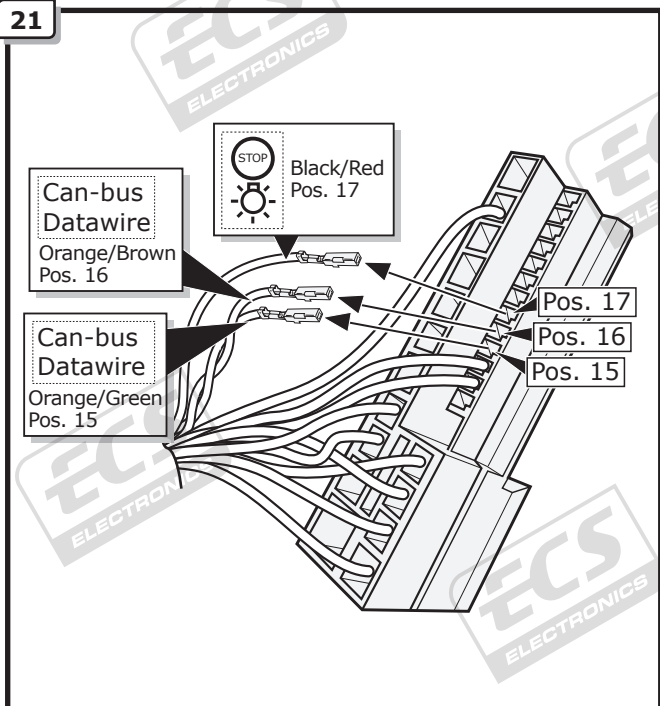
19



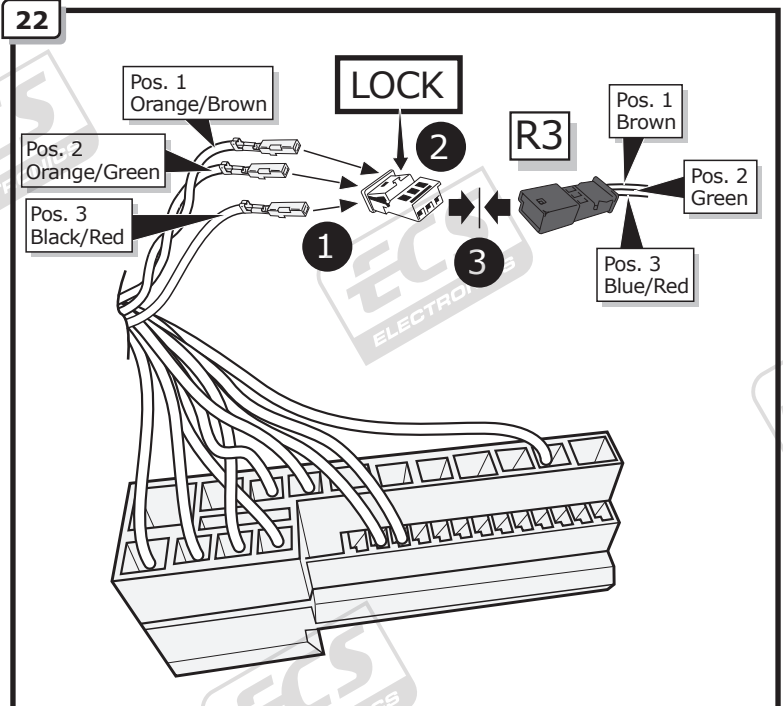
20



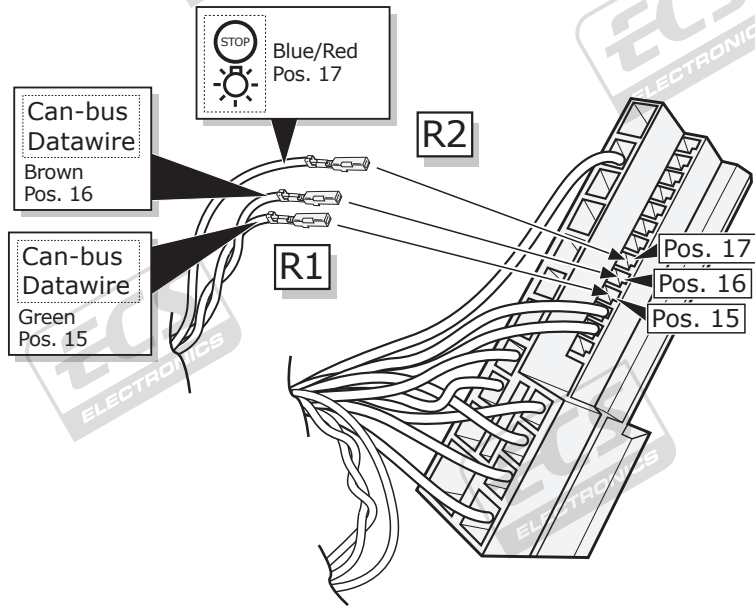
21



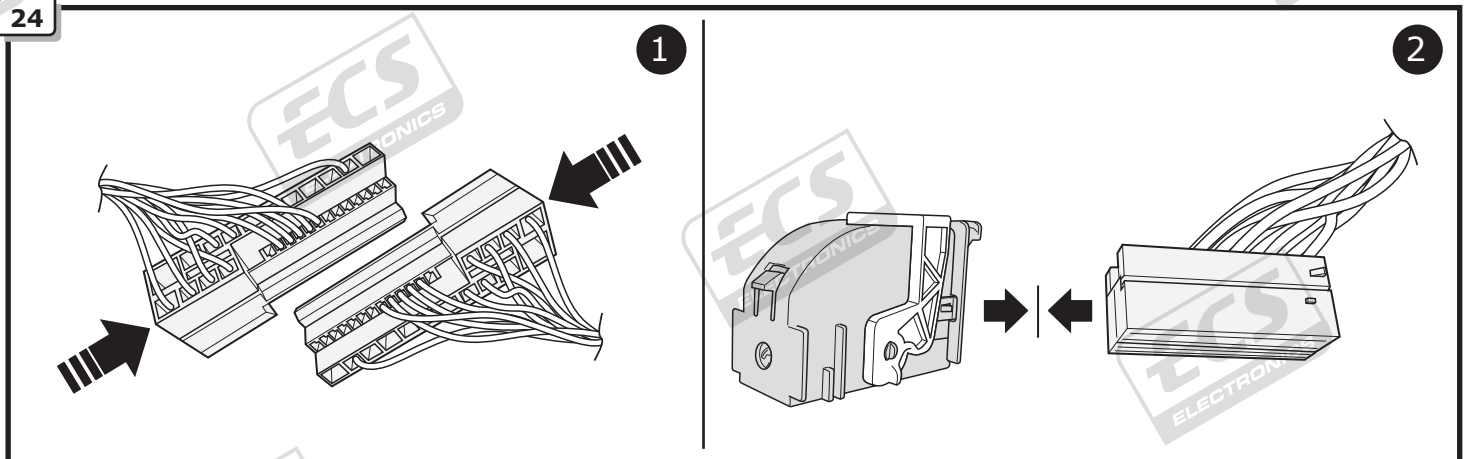
22



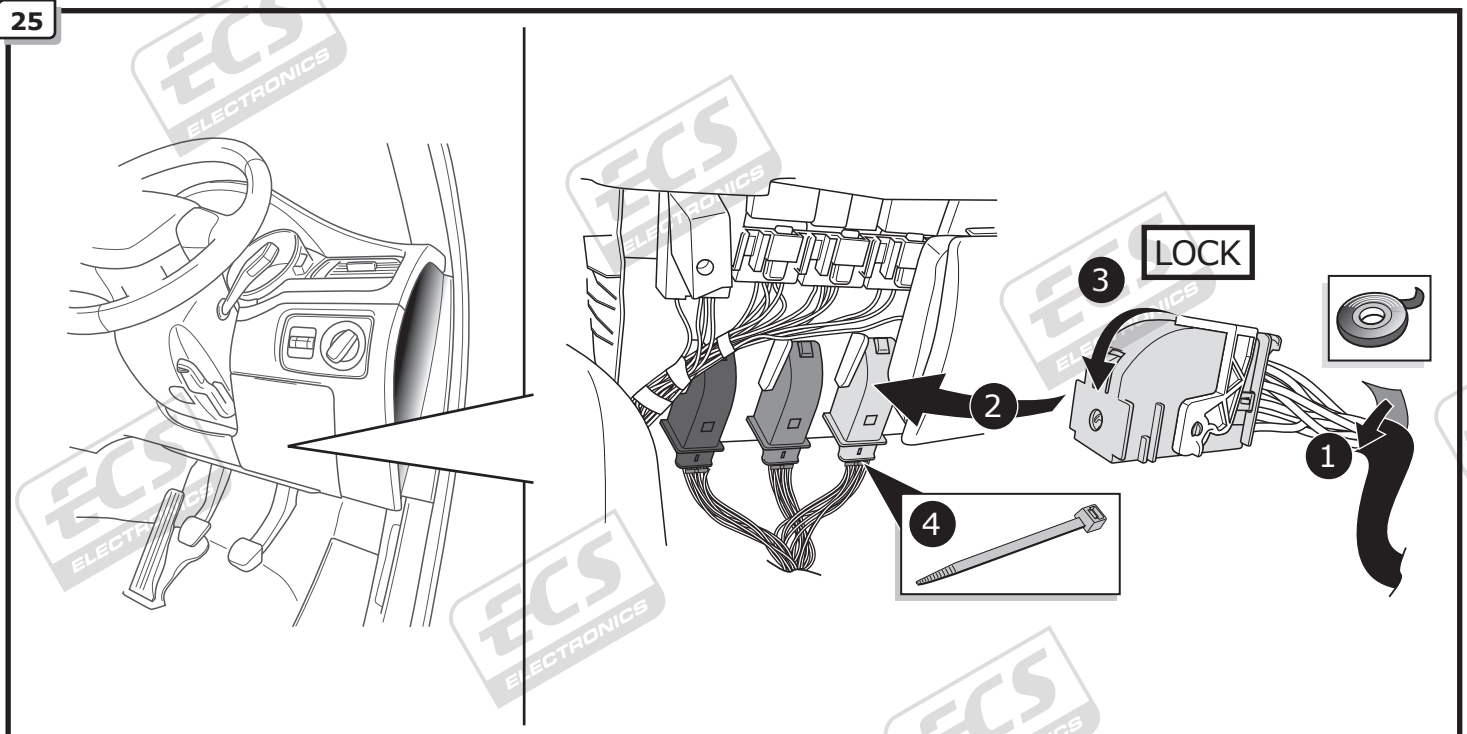
23



24



25

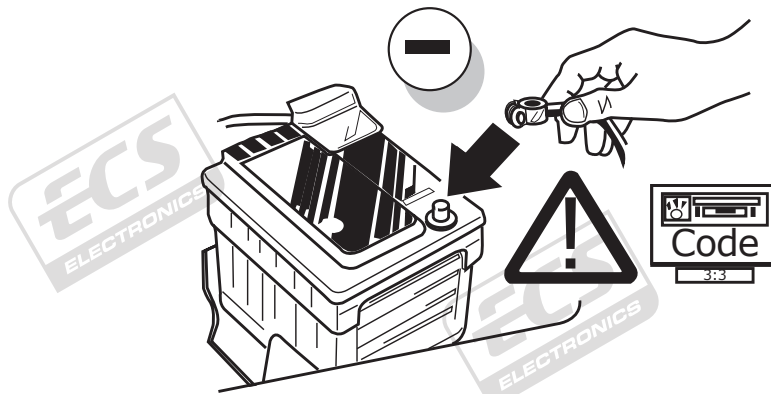


26



A VAG Service Tester must be used to code the vehicle's Gateway with the additional function for the towing hitch at the dealer.

27



28

! WARNING! IT MUST BE ENSURED THAT ALL THE REQUIREMENTS OF THE VEHICLE MANUFACTURER FOR CHANGES TO AND RETRO-FITTING ON THE VEHICLE AND/OR COOLING SYSTEM FOR THE OPERATION WITH A TRAILER ARE CARRIED OUT.

■ SUBJECT TO CHANGE.

29

! TEST ALL THE CIRCUITS WITH A TEST DEVICE WITH THE CORRECT POWER LOAD FOR EACH FUNCTION. A TEST DEVICE WITH LED'S CANNOT BE USED FOR THIS PURPOSE.

SEDAN / VARIANT / CC

INFO

REINSTALL TRIM.

30



User guide



**00800
22 55 23 27
CALL2ECS**

Monday - Friday
08.00am - 11.00am
12.00am - 05.00pm GMT
customercare@ecs-electronics.com
www.ecs-electronicsuk.co.uk

INFO

SOCKET CONNECTION

DIN/ISO 11446													
	1/L	2	3/31	4/R	5/58-R	6/54	7/58-L	8	9	10	11	12	13
Pmax	21W	21W		21W	42W	3x21W	42W	21W	180W/15Amp	180W/15Amp			
Colour	Black/White	Blue	Brown	Black/Green	Grey/Red	Black/Red	Grey/Black	Black	Red	Yellow	Brown	Red/Blue	Brown