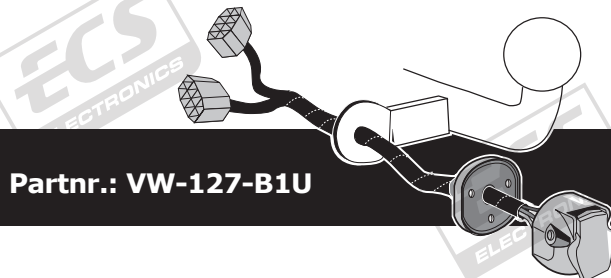


**Volkswagen Passat Sedan 2005- /2013-
Volkswagen Passat Variant 2005- /2013-
Volkswagen Passat Variant Alltrack 2012-
Volkswagen Passat CC 2008-
Volkswagen CC 2013-**



Partnr.: VW-127-B1U

- Fitting instructions electric wiring kit tow bar with 12-N socket up to DIN/ISO Norm 1724.
- We would expressly point out that assembly not carried out properly by a competent installer will result in cancellation of any right to damage compensation, in particular those arising by virtue of the product liability act.
- Contents of these kits and their fitting manuals are subject to alteration without notice, please ensure that these instructions are read and fully understood before commencing installation.
- Do not overload circuits; the maximum loads per connection are detailed in this manual.
- Attention! Before Installation, please read this manual carefully and inform your customer to consult the vehicle owners manual to check for any vehicle modifications required before towing.
- In the event of functional problems, troubleshooting must be limited to about 0.5 hours, contact the installers support: customercare@ecs-electronics.com / 00800 22 55 23 27.

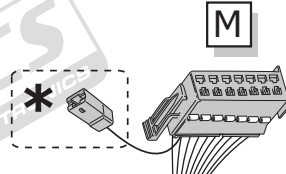
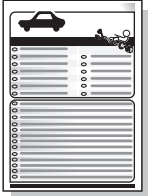
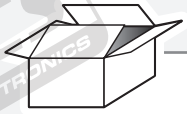


**00800
22 55 23 27
CALL2ECS**

Monday - Friday
08.00am - 11.00am
12.00am - 05.00pm GMT

customercare@ecs-electronics.com
www.ecs-electronicsuk.co.uk

Part list

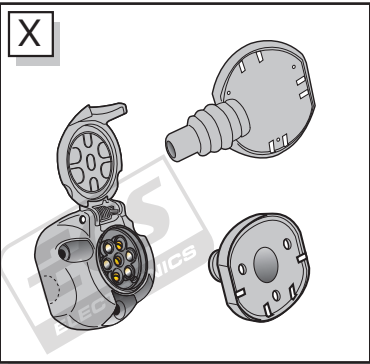


F

X



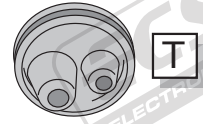
M



X



1x




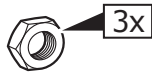
T



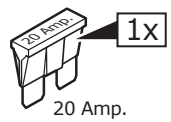
U1

U2

* Reverse signal preparation
 **Pag. 16**

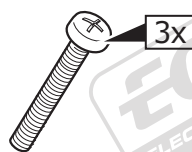


3x

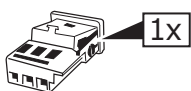


1x

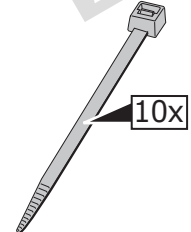
20 Amp.



3x

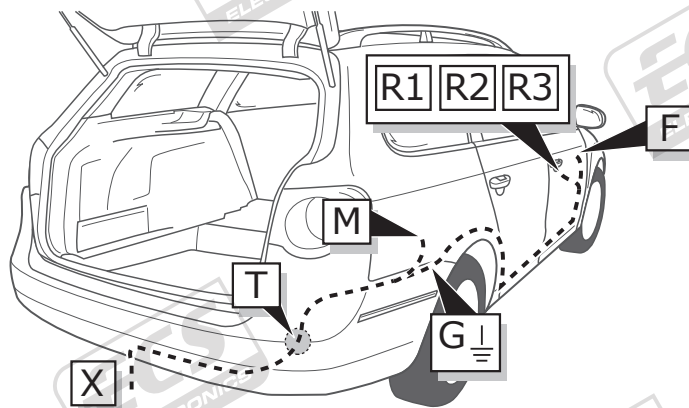
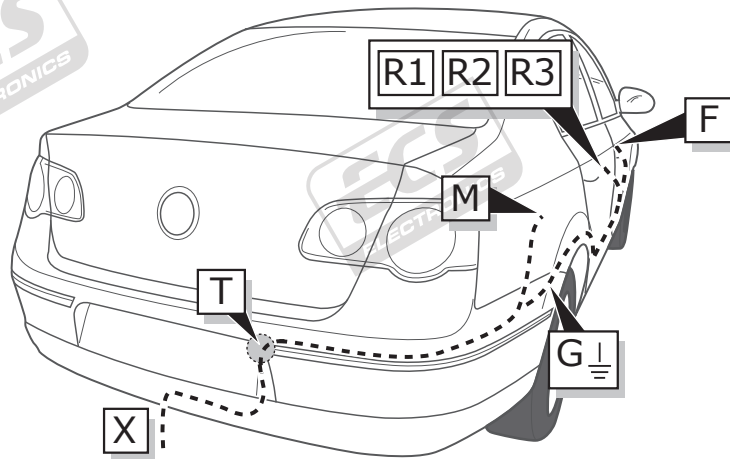
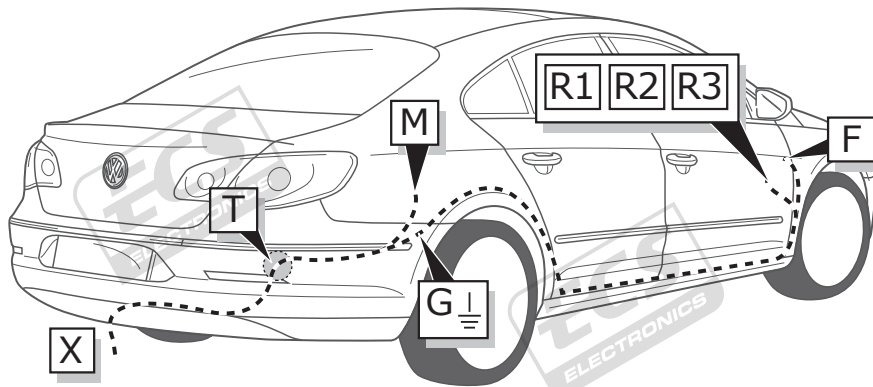


1x



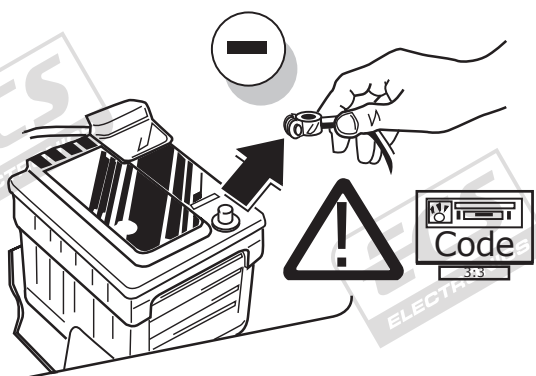
10x

ROUTING



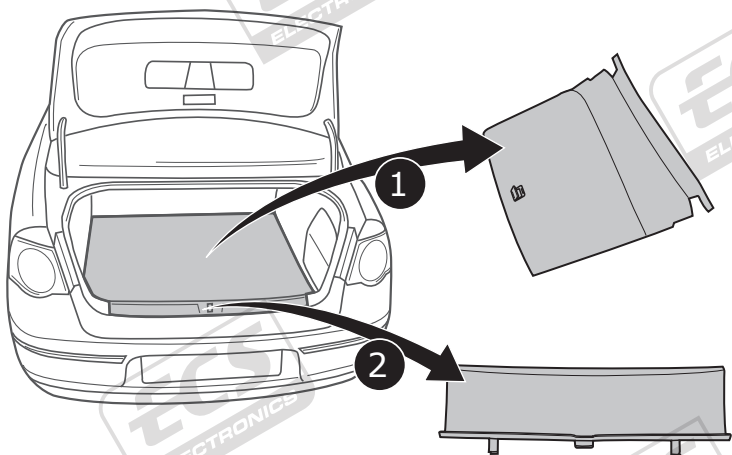
SEDAN / VARIANT / CC

1



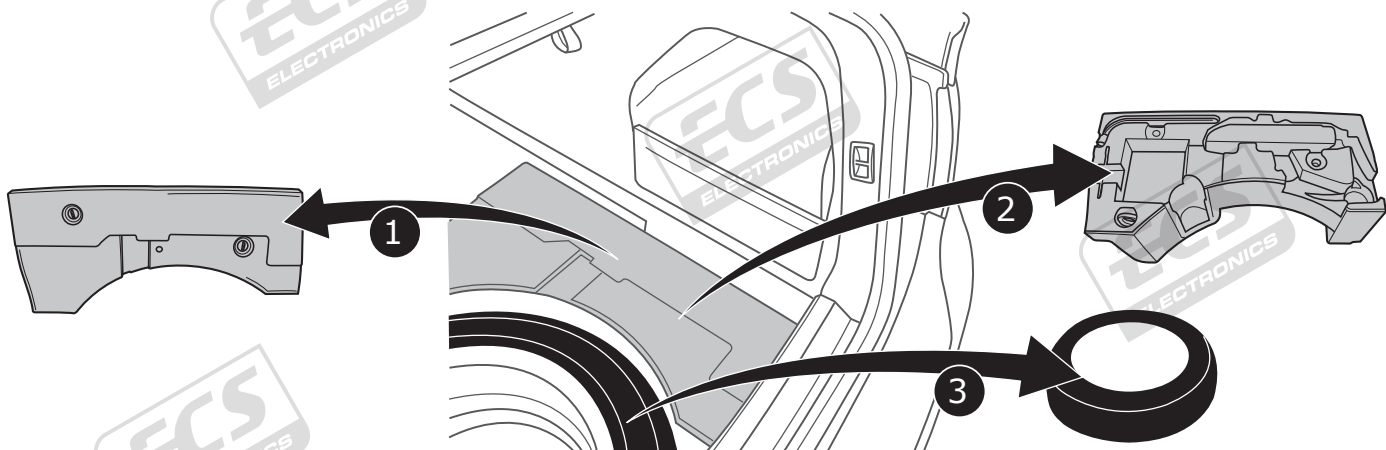
SEDAN 2005-2010 - CC

2

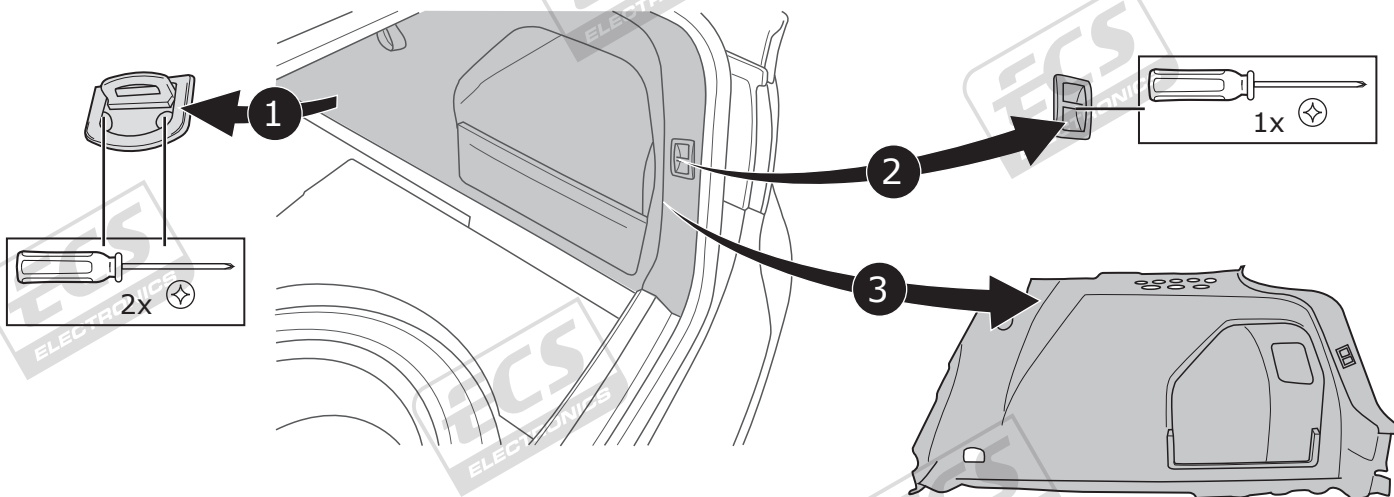


SEDAN 2005-2010

3

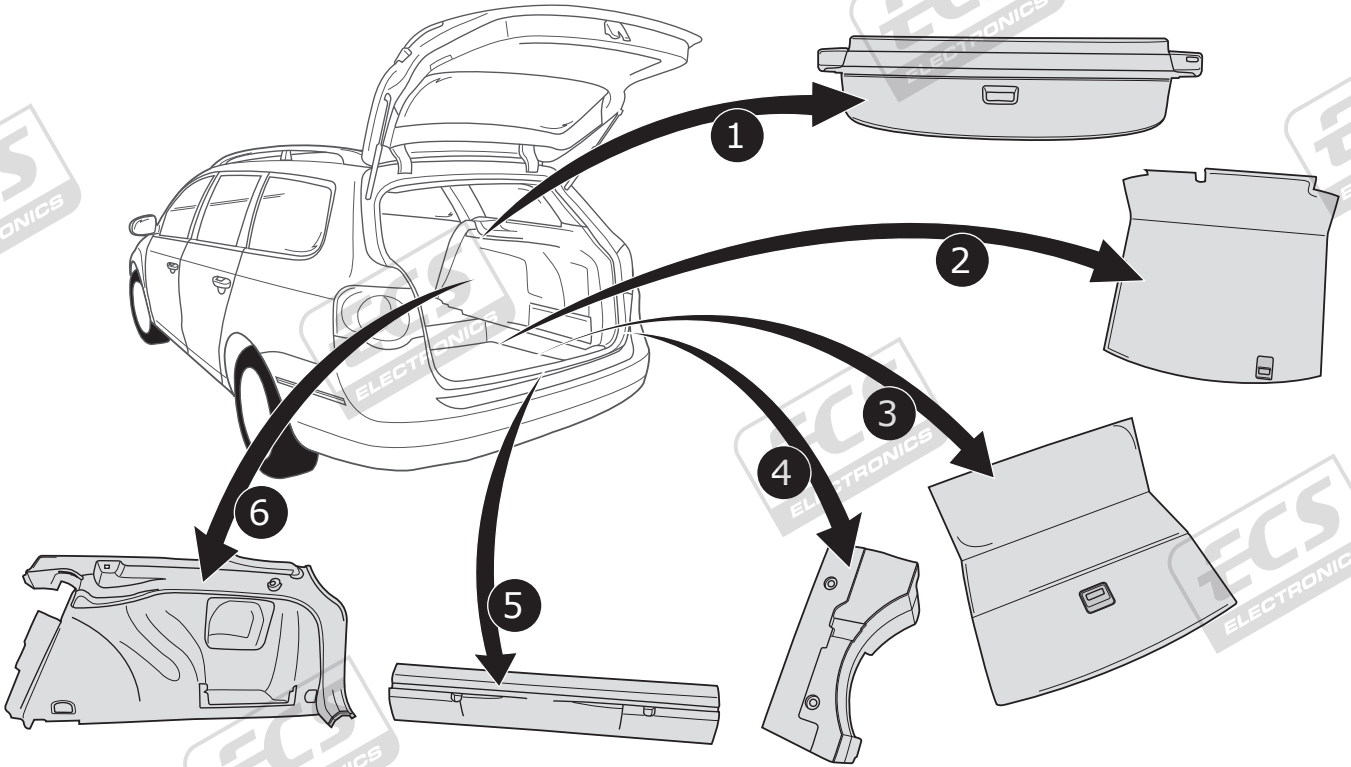


4



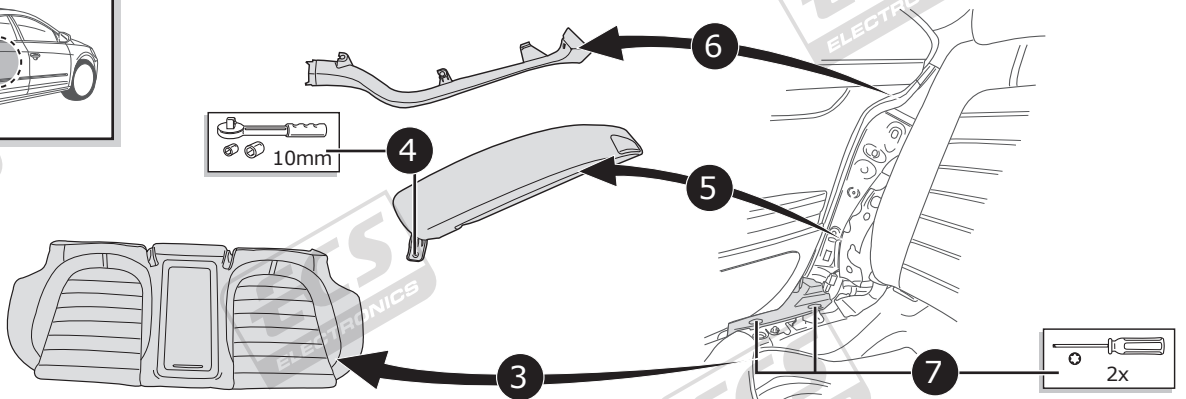
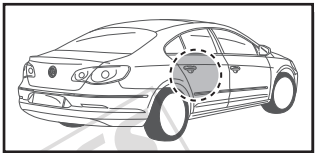
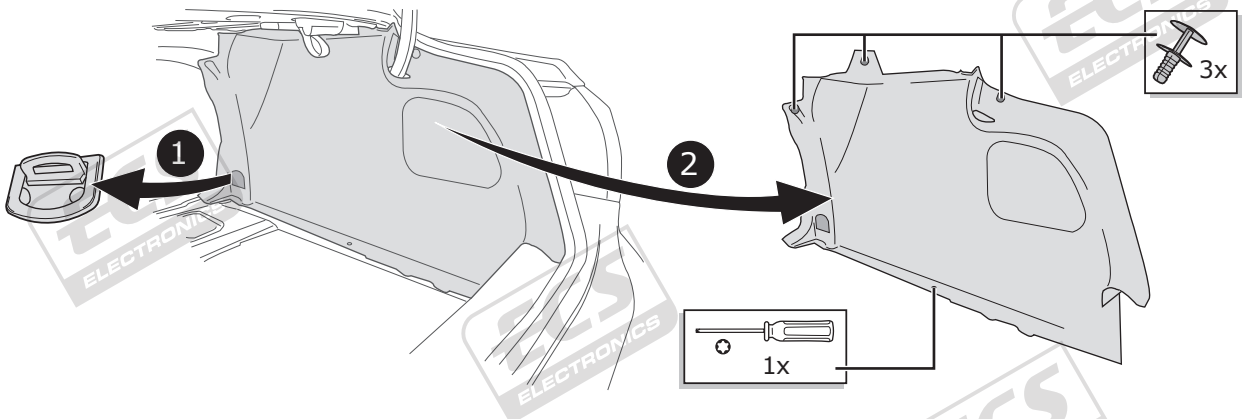
VARIANT

5



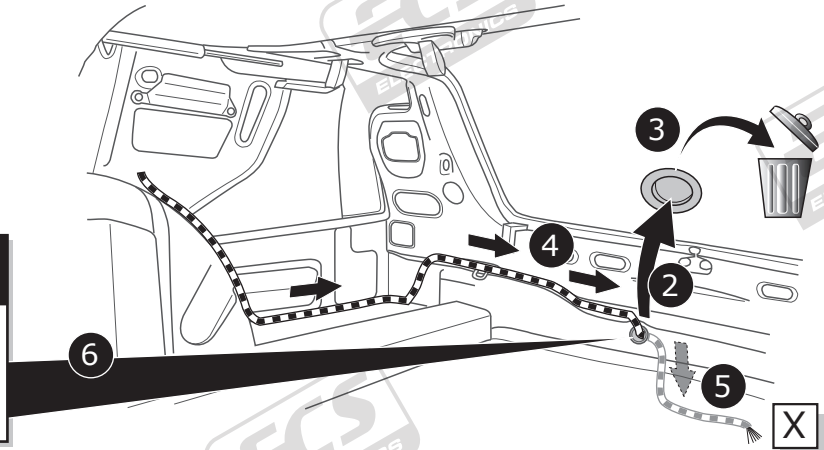
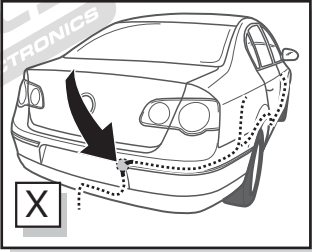
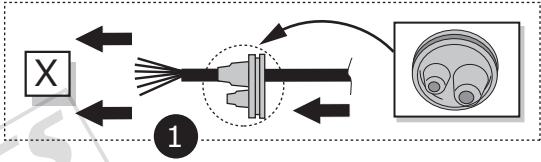
CC / SEDAN 2011->

6



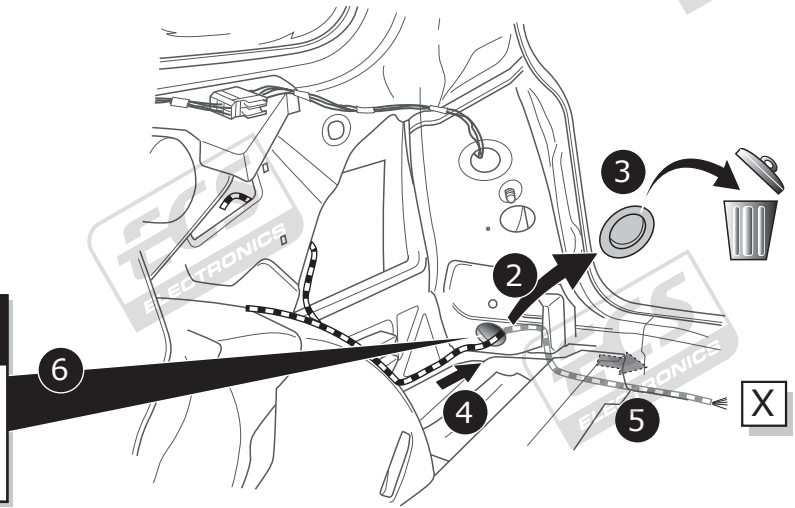
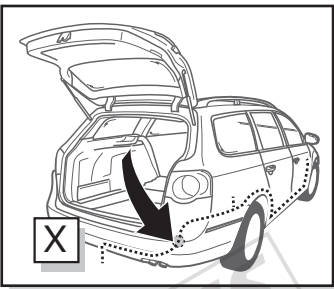
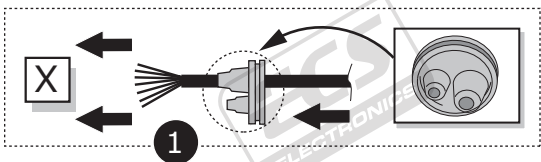
SEDAN

7



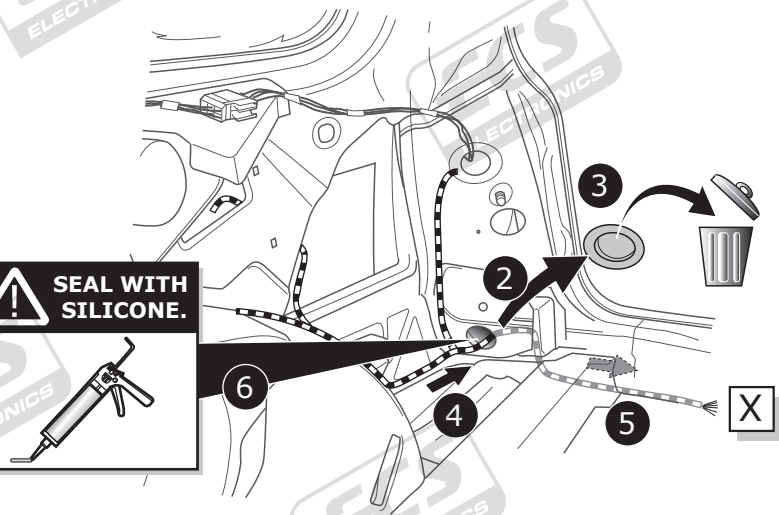
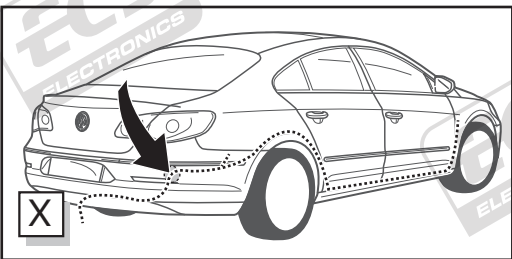
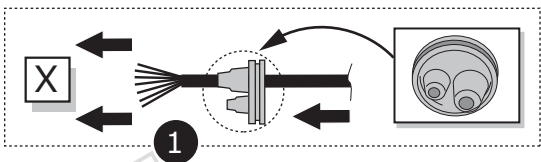
VARIANT

8



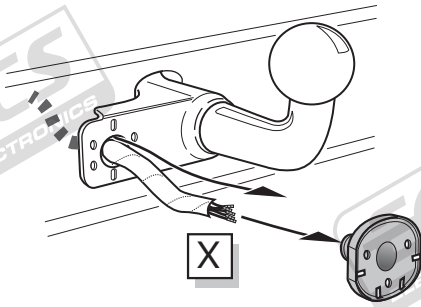
CC

9

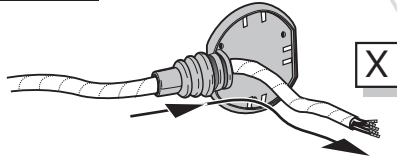


A

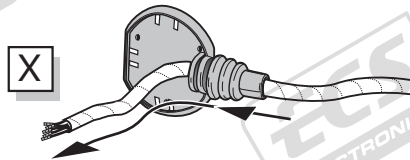
Option 1



Option 2



Option 3



INFO

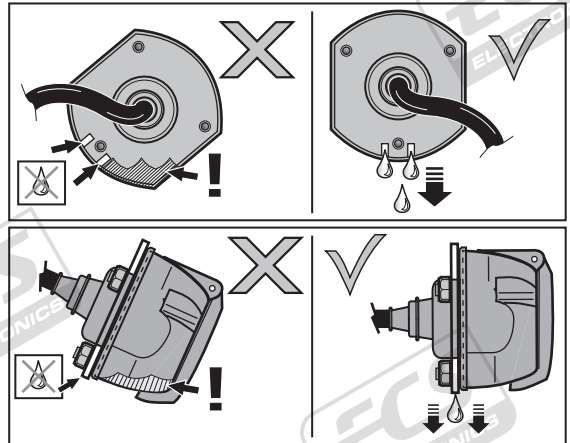
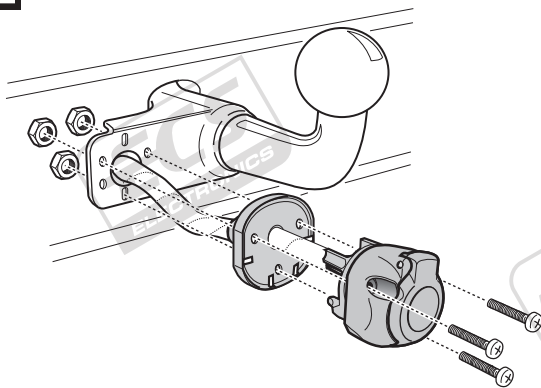
SOCKET CONNECTION



Pag. 15

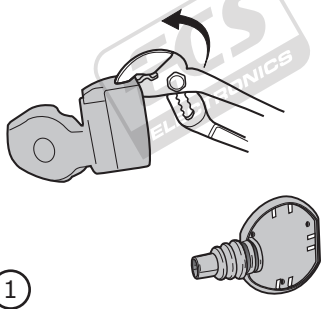
B

Option 1

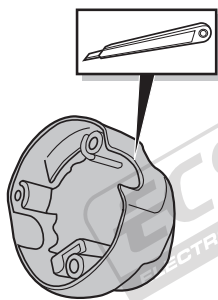


C

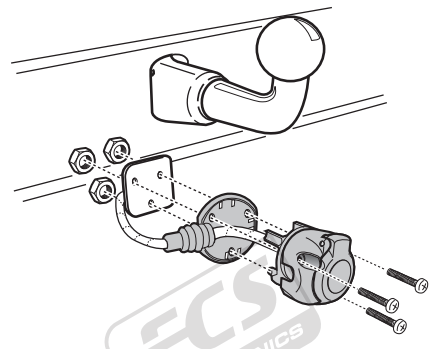
Option 2



①



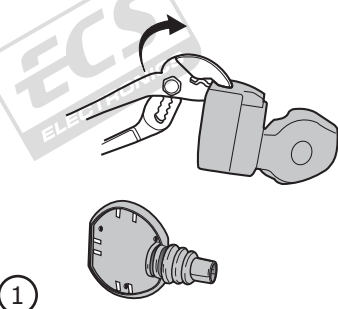
②



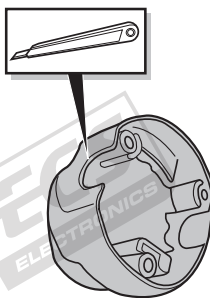
③

D

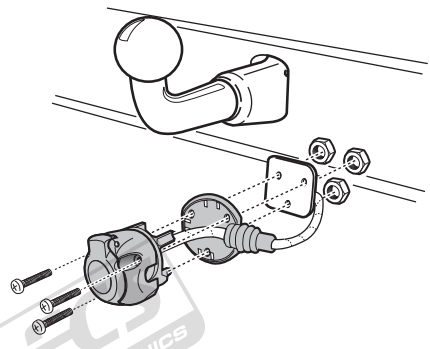
Option 3



①



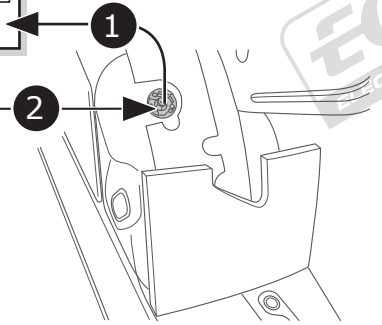
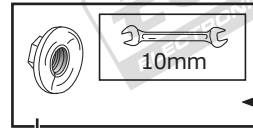
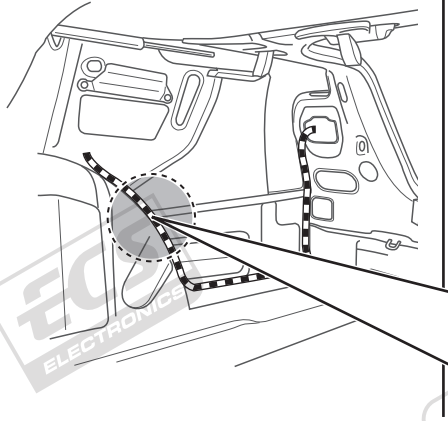
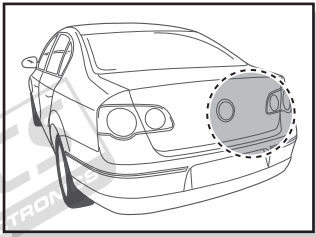
②



③

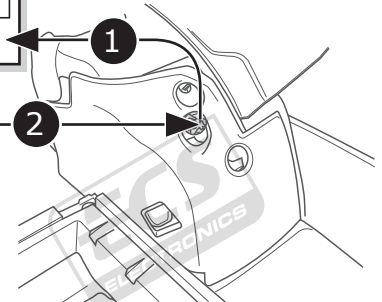
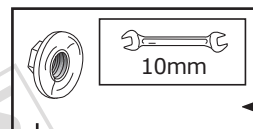
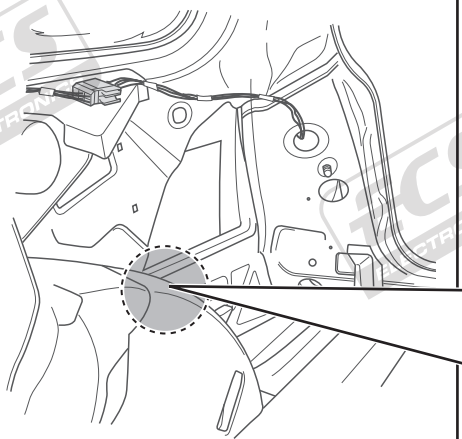
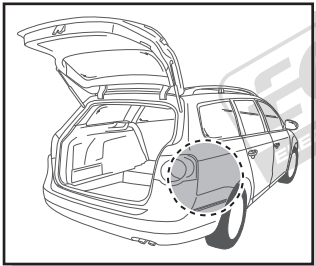
SEDAN 2005-2010 / CC

10



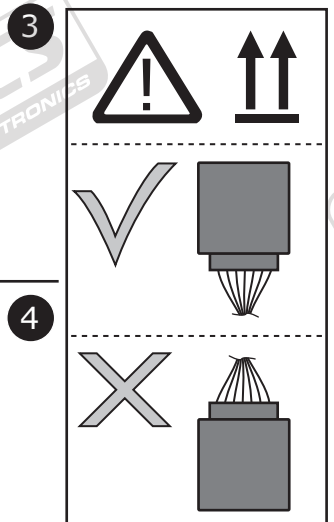
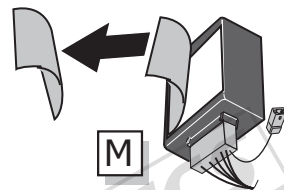
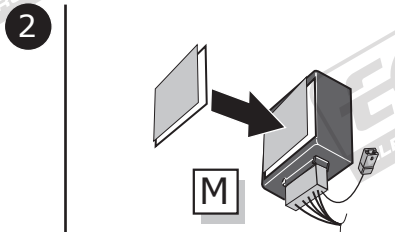
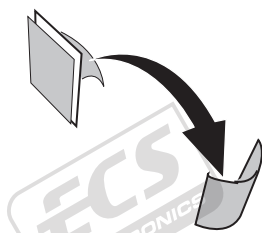
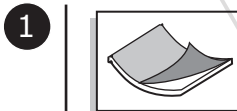
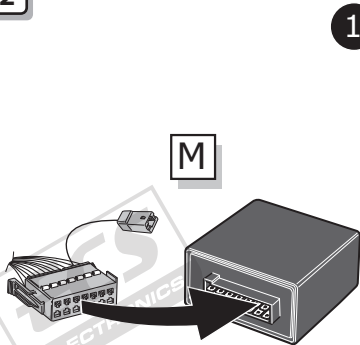
VARIANT / SEDAN 2011->

11



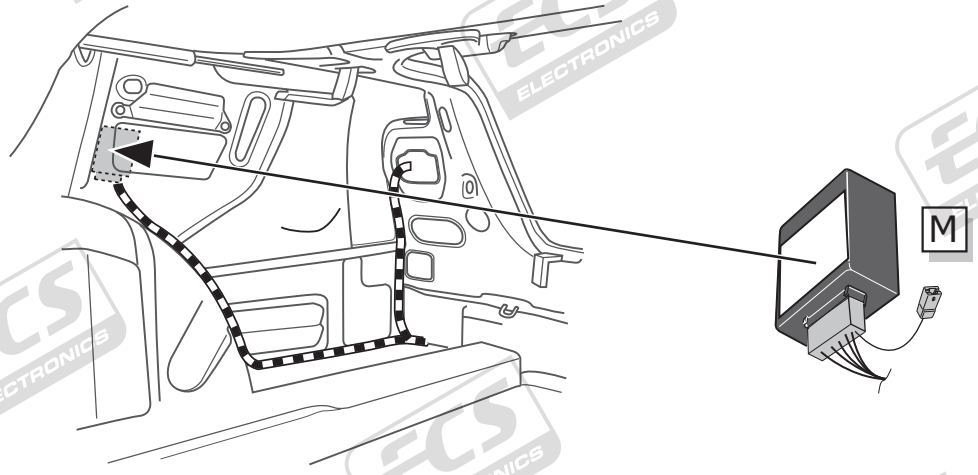
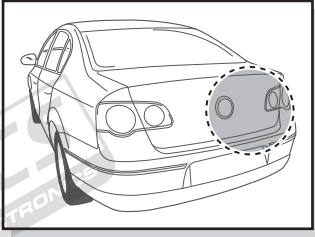
SEDAN / VARIANT / CC

12



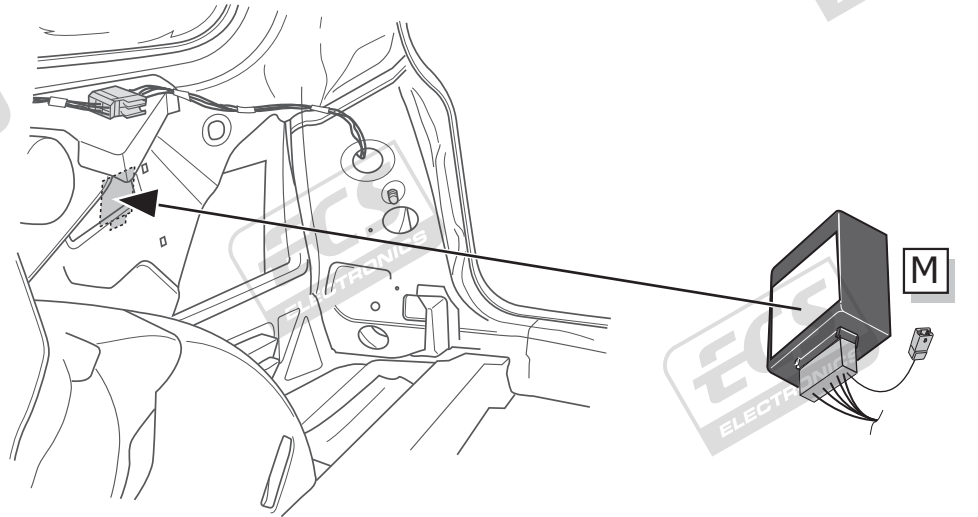
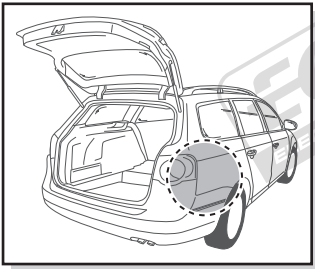
SEDAN / CC

13



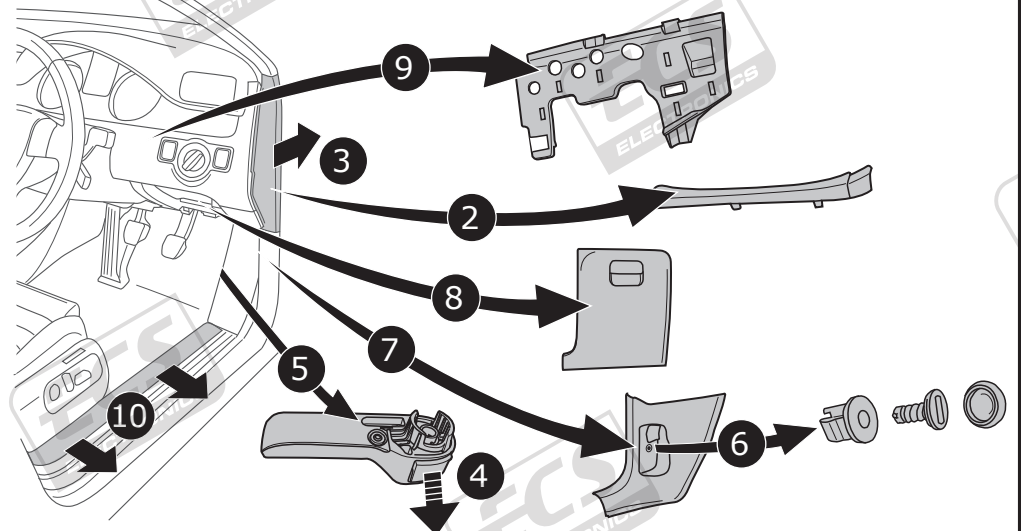
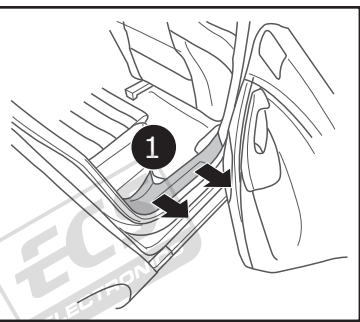
VARIANT

14

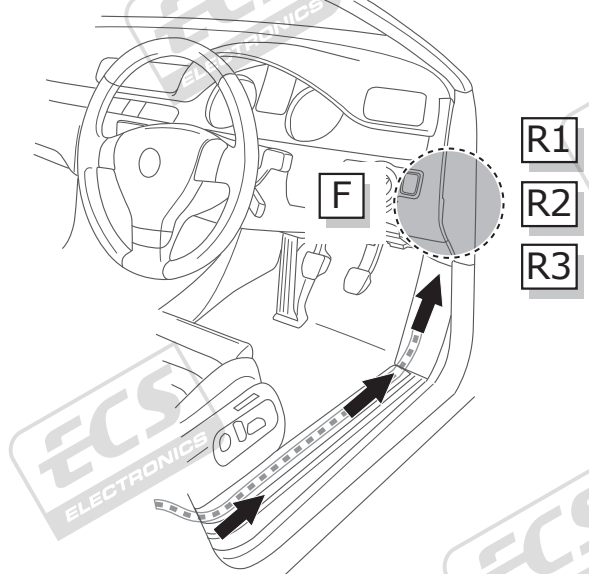
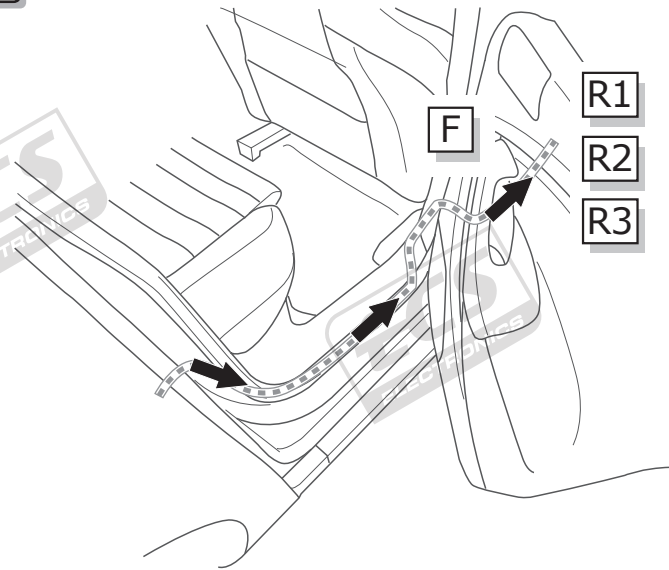


SEDAN / VARIANT / CC

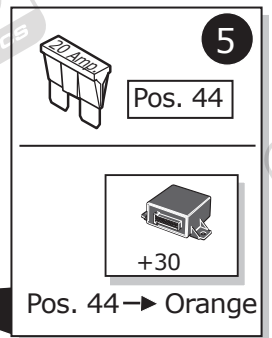
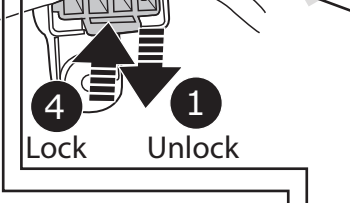
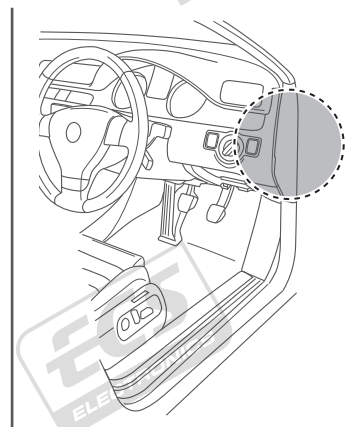
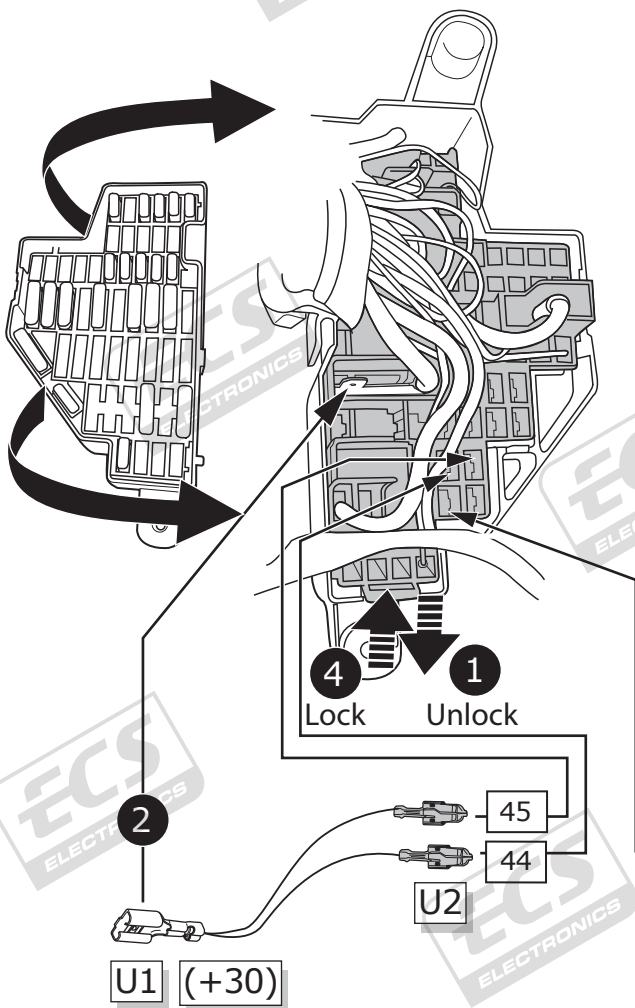
15



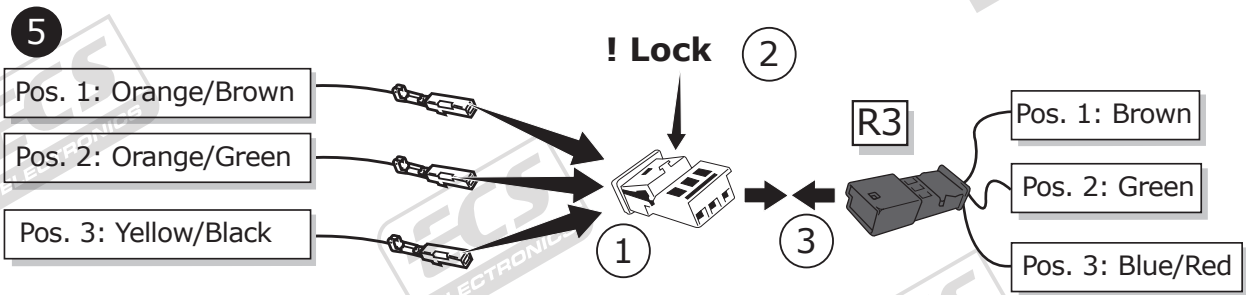
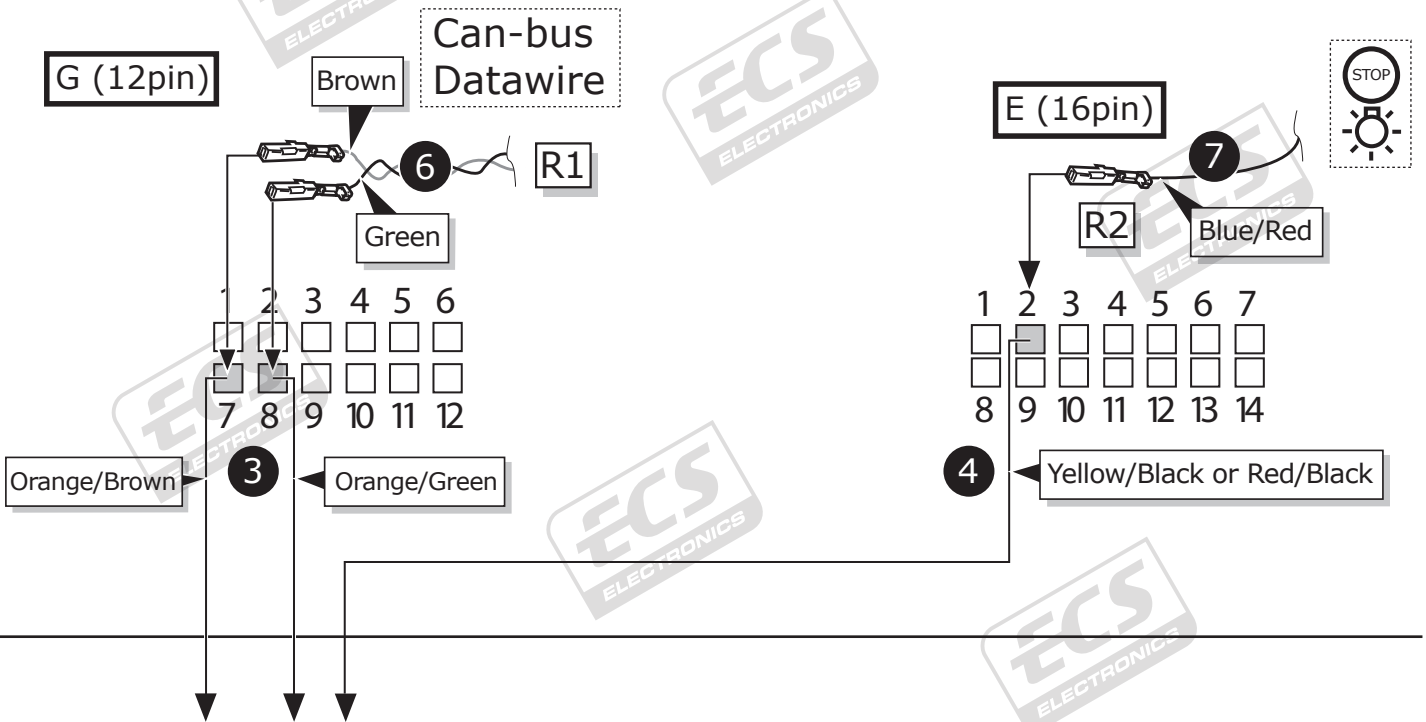
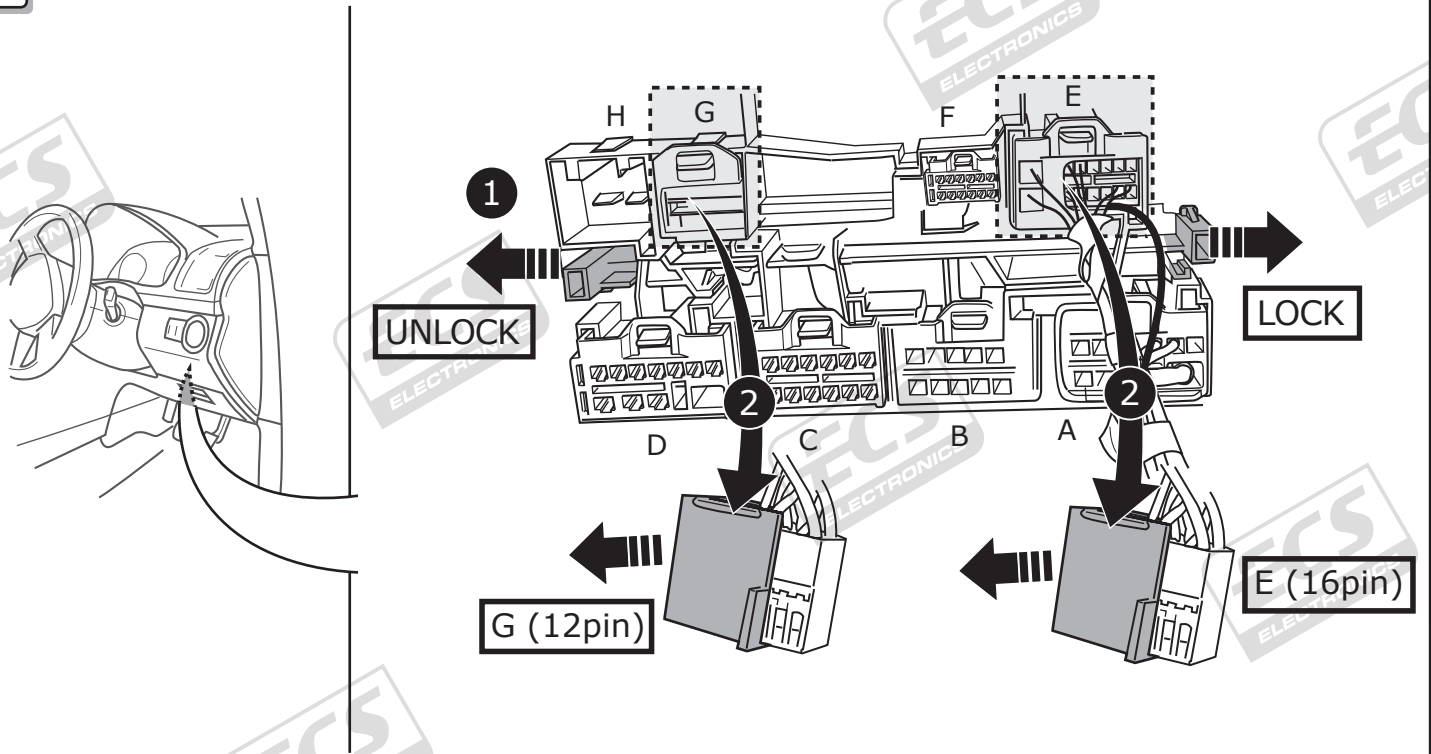
16



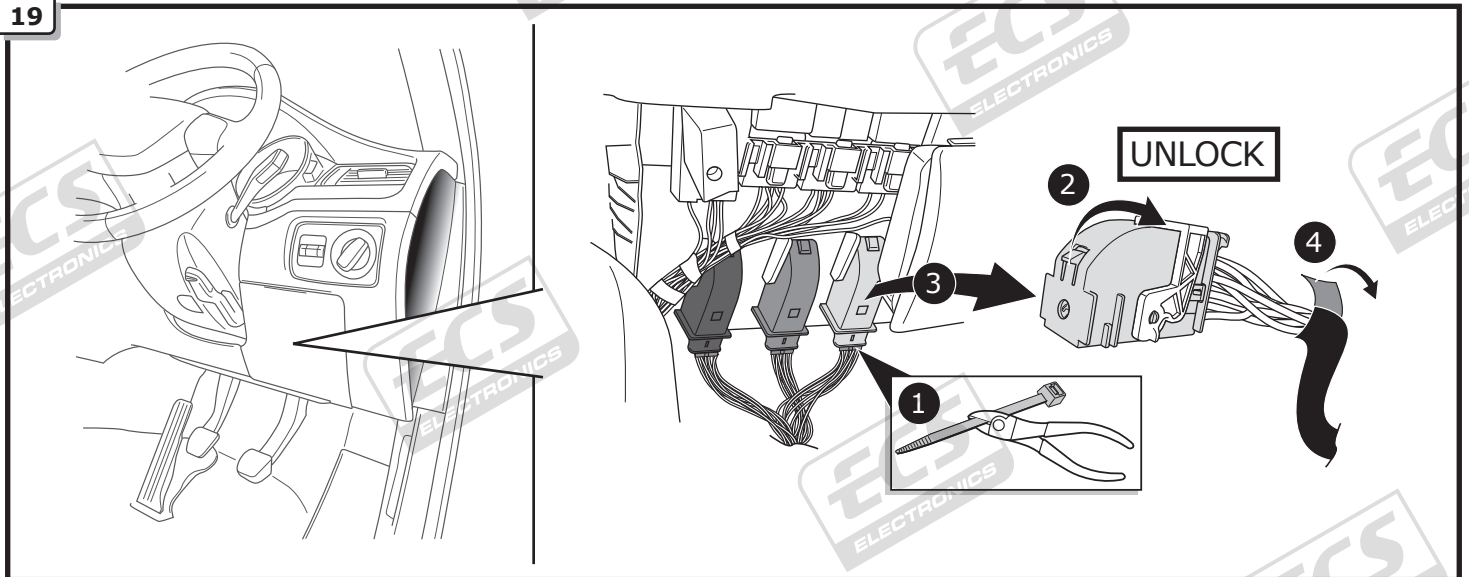
17



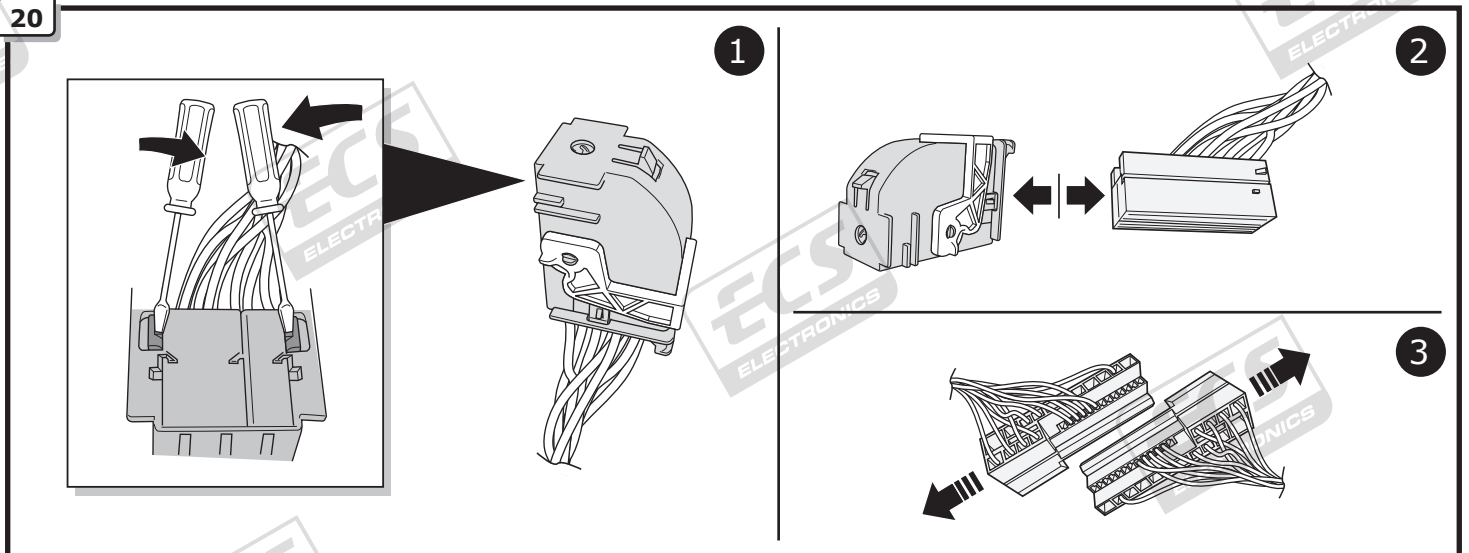
18



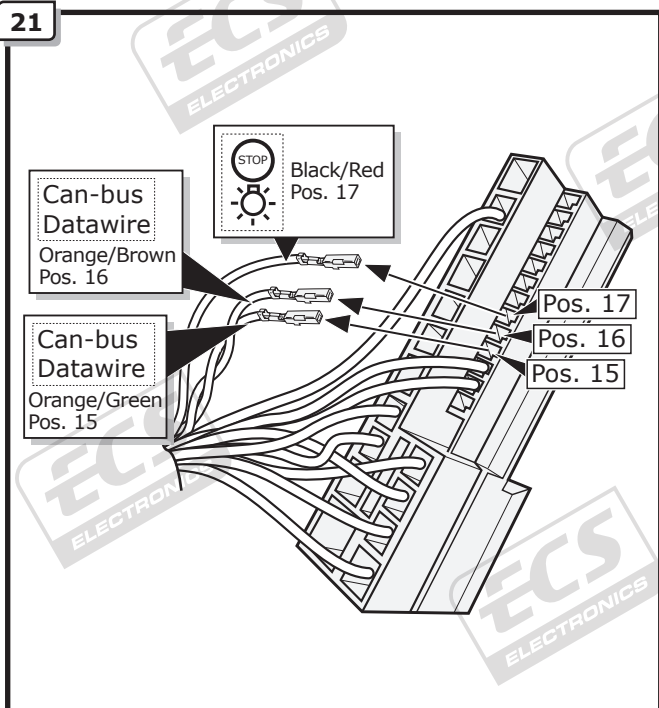
19



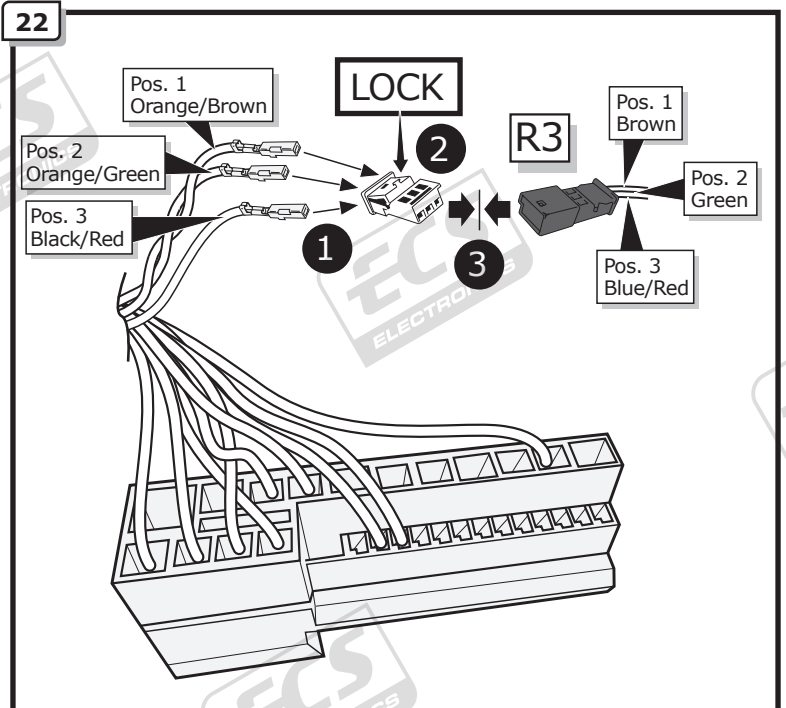
20



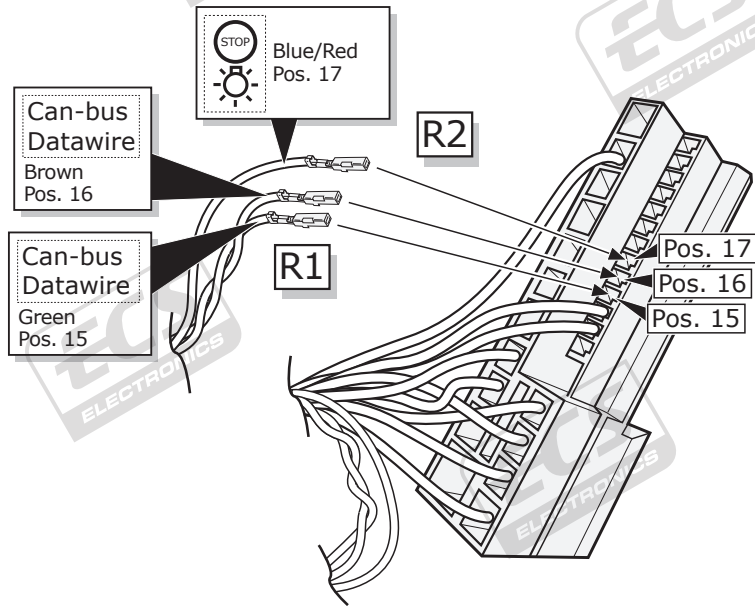
21



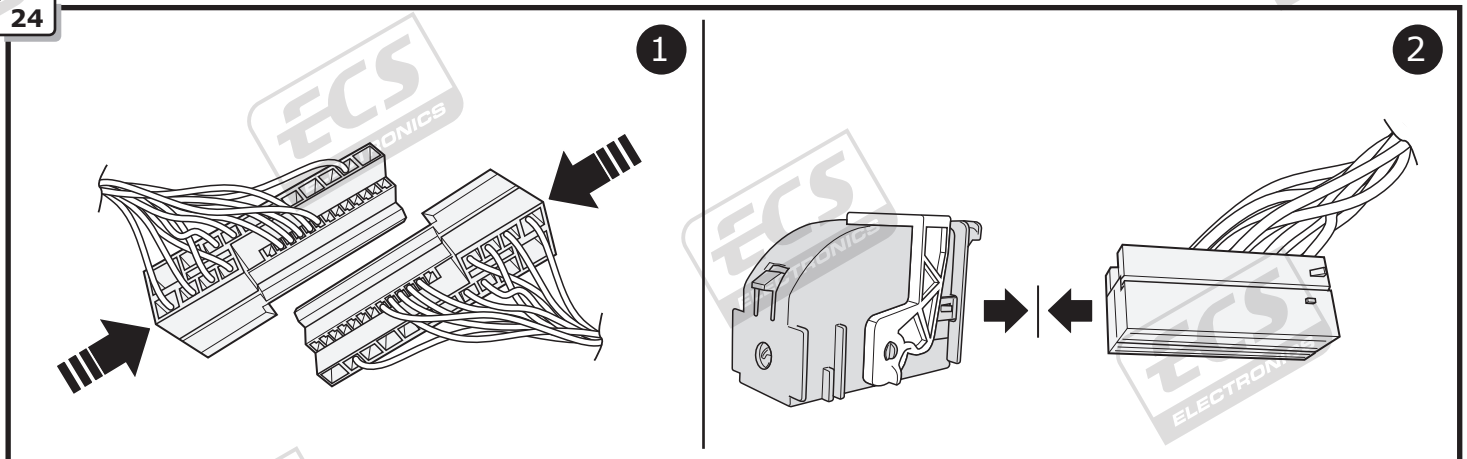
22



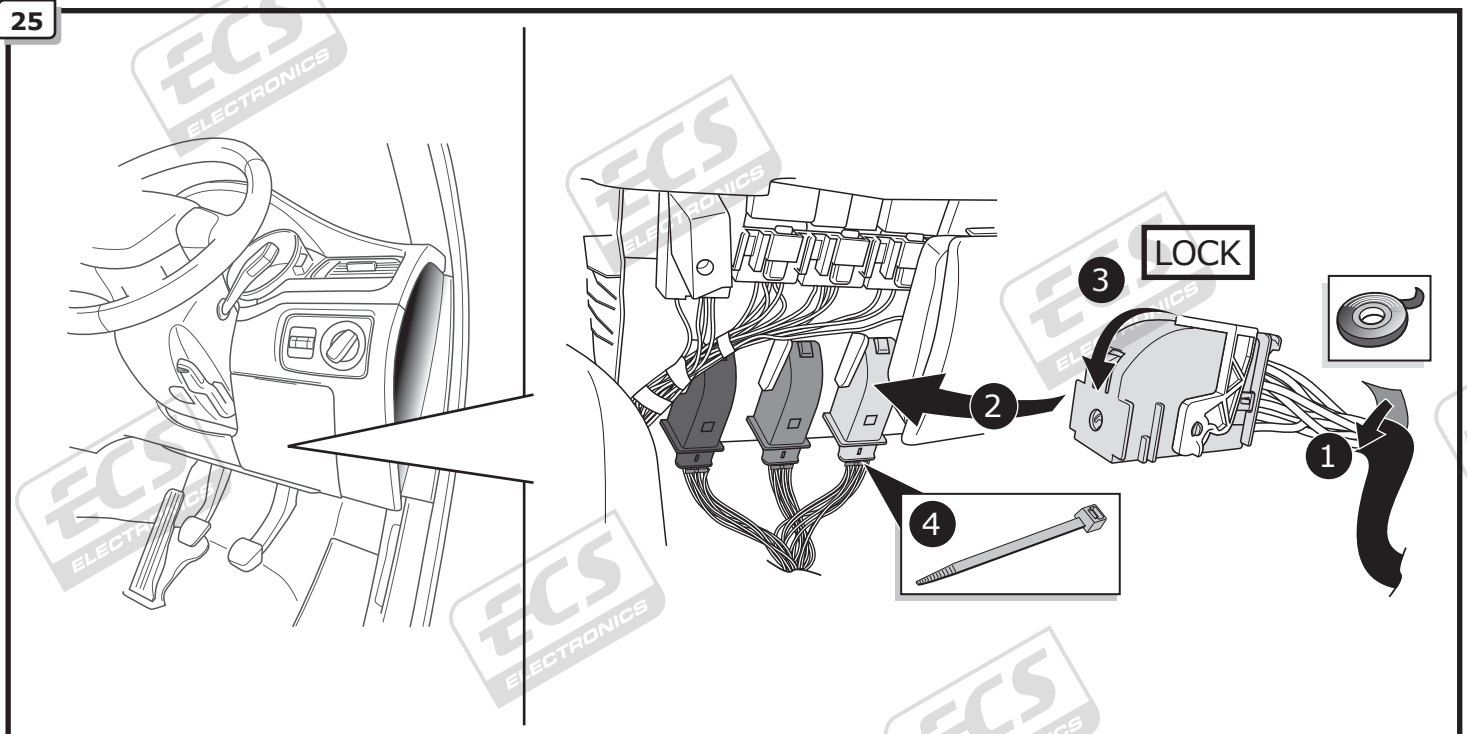
23



24



25

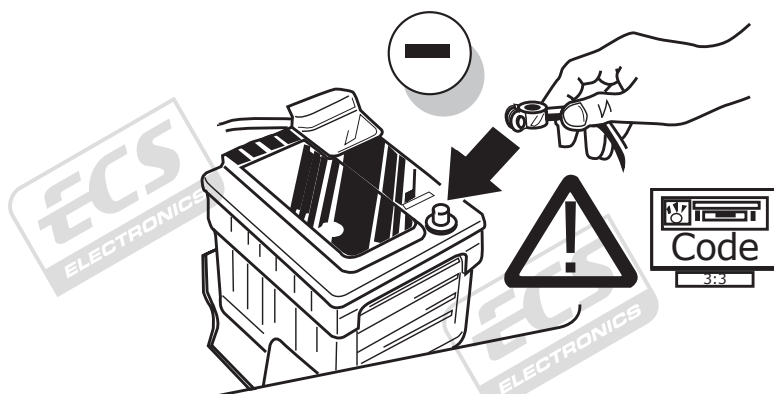


26



A VAG Service Tester must be used to code the vehicle's Gateway with the additional function for the towing hitch at the dealer.

27



28

! WARNING! IT MUST BE ENSURED THAT ALL THE REQUIREMENTS OF THE VEHICLE MANUFACTURER FOR CHANGES TO AND RETRO-FITTING ON THE VEHICLE AND/OR COOLING SYSTEM FOR THE OPERATION WITH A TRAILER ARE CARRIED OUT.

■ SUBJECT TO CHANGE.

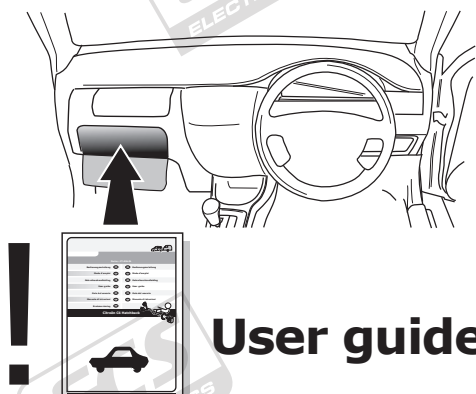
29

! TEST ALL THE CIRCUITS WITH A TEST DEVICE WITH THE CORRECT POWER LOAD FOR EACH FUNCTION. A TEST DEVICE WITH LED'S CANNOT BE USED FOR THIS PURPOSE.

INFO

REINSTALL TRIM.

30



User guide



**00800
22 55 23 27
CALL2ECS**

Monday - Friday
08.00am - 11.00am
12.00am - 05.00pm GMT
customer@ecs-electronics.com
www.ecs-electronicsuk.co.uk

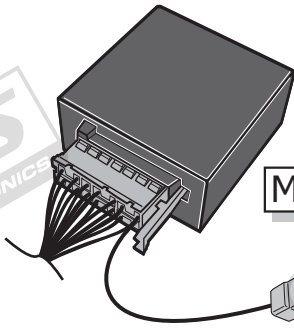
INFO

SOCKET CONNECTION

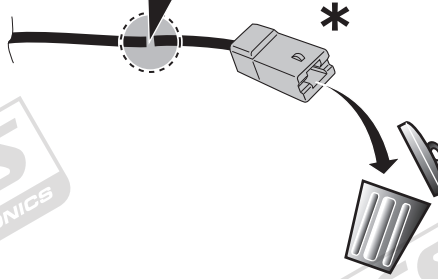
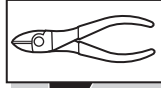
DIN/ISO 1724							
	1/L	2	3/31	4/R	5/58-R	6/54	7/58-L
Pmax	21W	21W		21W	42W	3x21W	42W
Colour	Black/ White	Blue	Brown	Black/ Green	Grey/ Red	Black/ Red	Grey/ Black

Reverse signal preparation

A



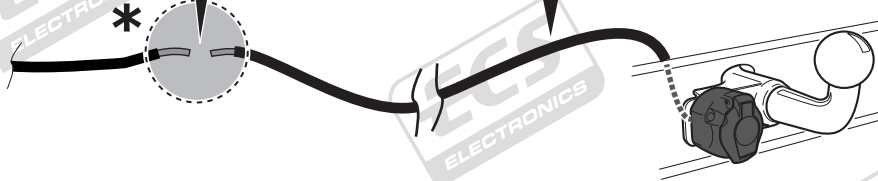
1



2



B



⚠ MAX = 21W