

Volkswagen

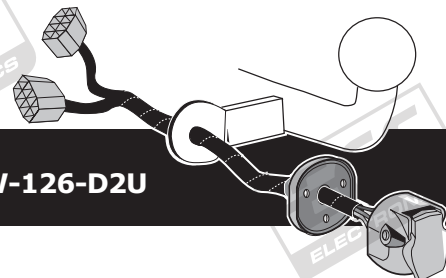
Transporter T5 (GP) 2010 >> 06/2015

Transporter T5 Pickup (GP) 2010 >> 06/2015

Transporter T6 07/2015 >> 12/2019

Transporter T6 Pickup 07/2015 >> 12/2019

Partnr.: VW-126-D2U



- Fitting instructions electric wiring kit tow bar with 13-P socket up to DIN/ISO Norm 11446.
- We would expressly point out that assembly not carried out properly by a competent installer will result in cancellation of any right to damage compensation, in particular those arising by virtue of the product liability act.
- Contents of these kits and their fitting manuals are subject to alteration without notice, please ensure that these instructions are read and fully understood before commencing installation.
- Do not overload circuits; the maximum loads per connection are detailed in this manual.
- Attention! Before Installation, please read this manual carefully and inform your customer to consult the vehicle owners manual to check for any vehicle modifications required before towing.
- In the event of functional problems, troubleshooting must be limited to about 0.5 hours, contact the technical support:
t.skinner@ecs-electronics.com / 07440 202 052.

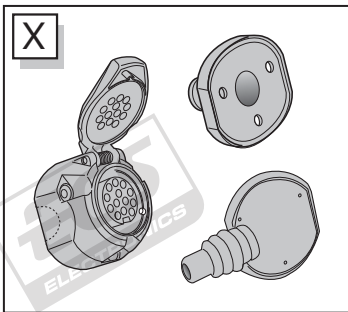
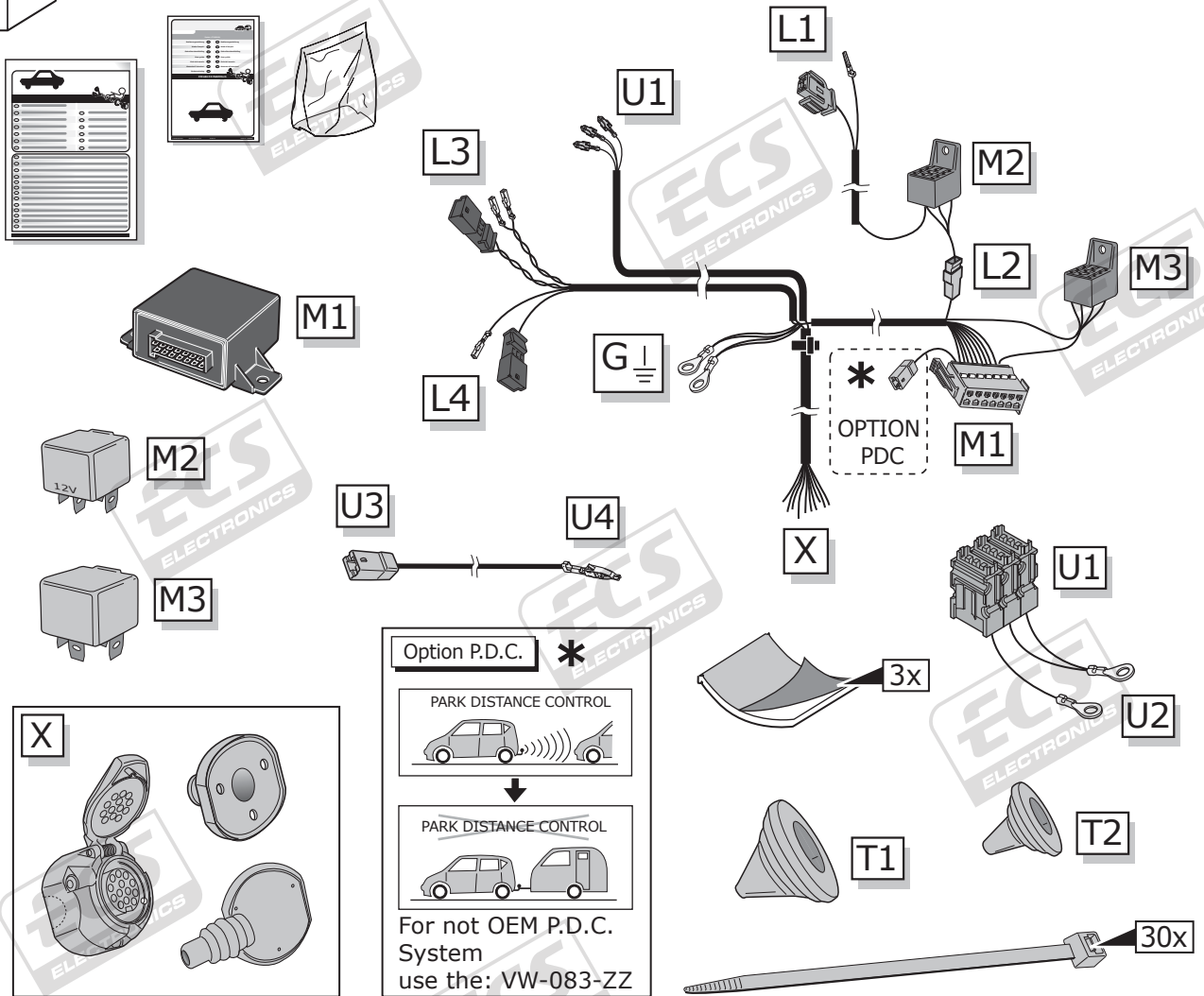
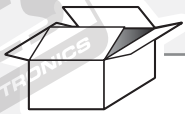
TECHNICAL SUPPORT

CALL
07440
202
052

ECS ELECTRONICS

MONDAY TO FRIDAY
08.00 - 11.00 am
12.00 - 05.00 pm
t.skinner@ecs-electronics.com
www.ecs-electronicsuk.co.uk

Part list



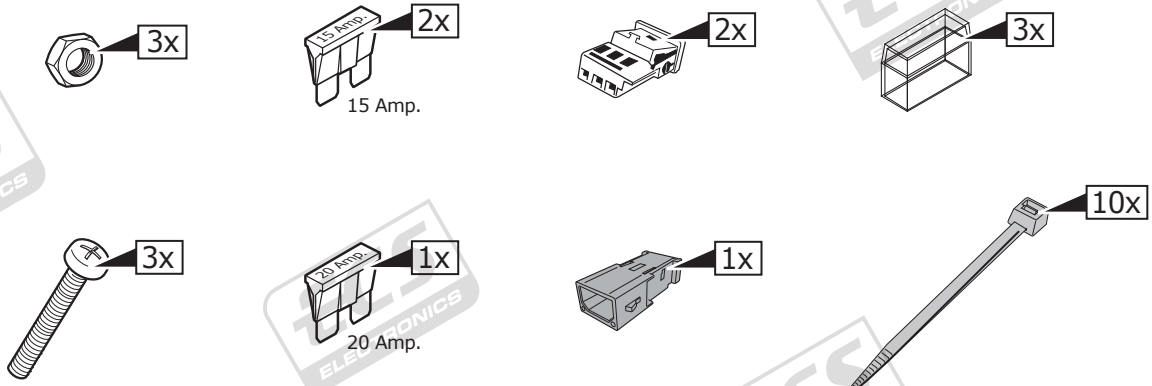
Option P.D.C. *

PARK DISTANCE CONTROL

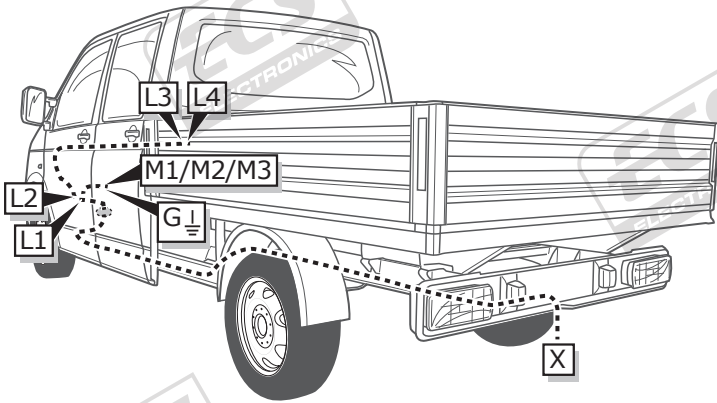
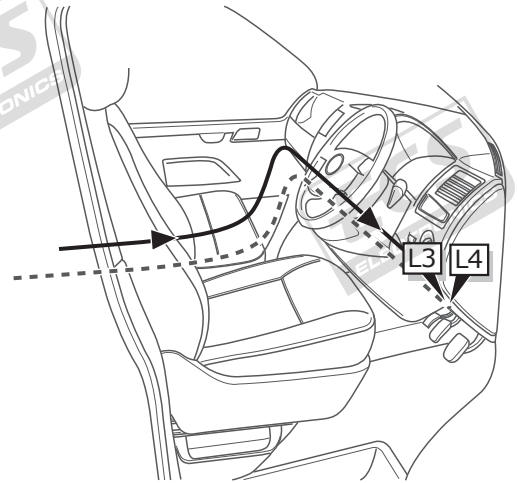
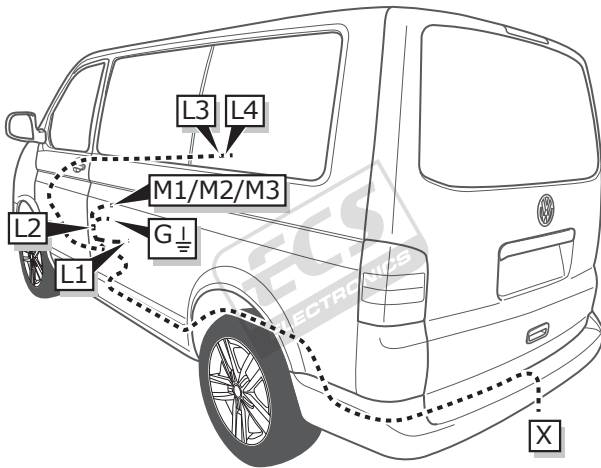
↓

PARK DISTANCE CONTROL

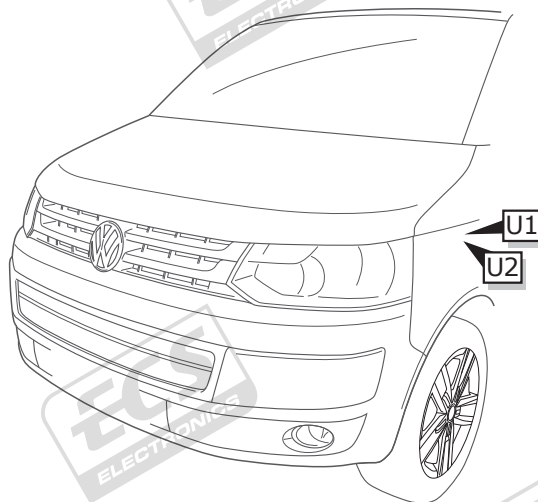
For not OEM P.D.C. System use the: VW-083-ZZ



ROUTING

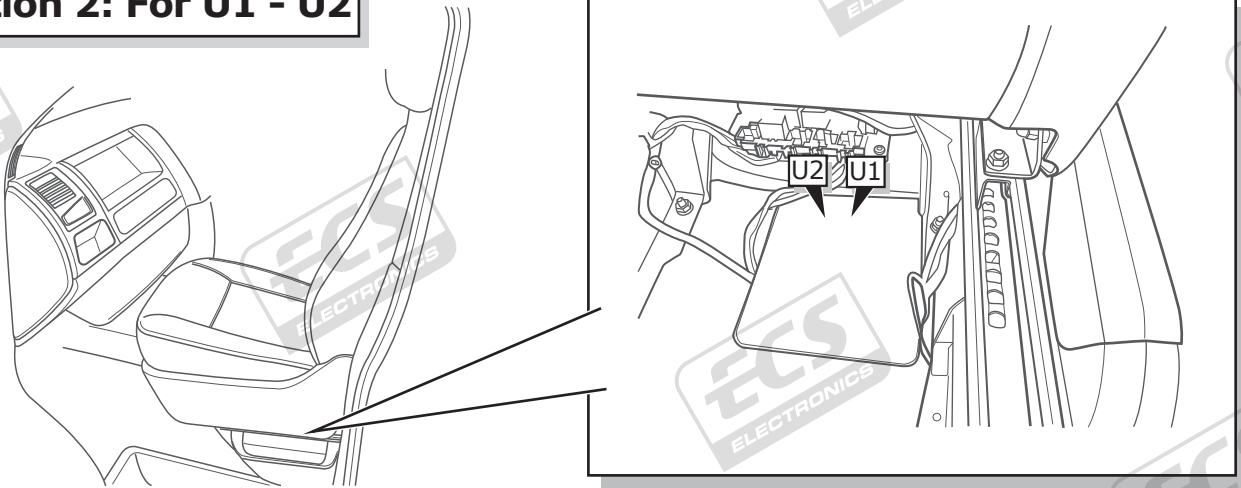


Option 1: For U1 - U2



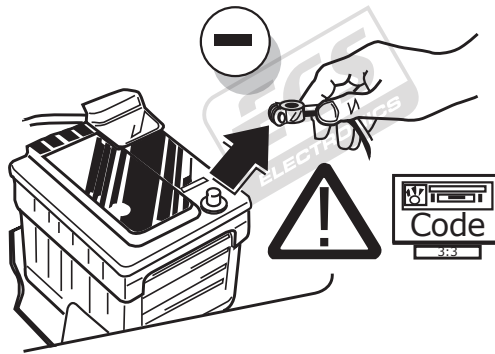
ROUTING

Option 2: For U1 - U2

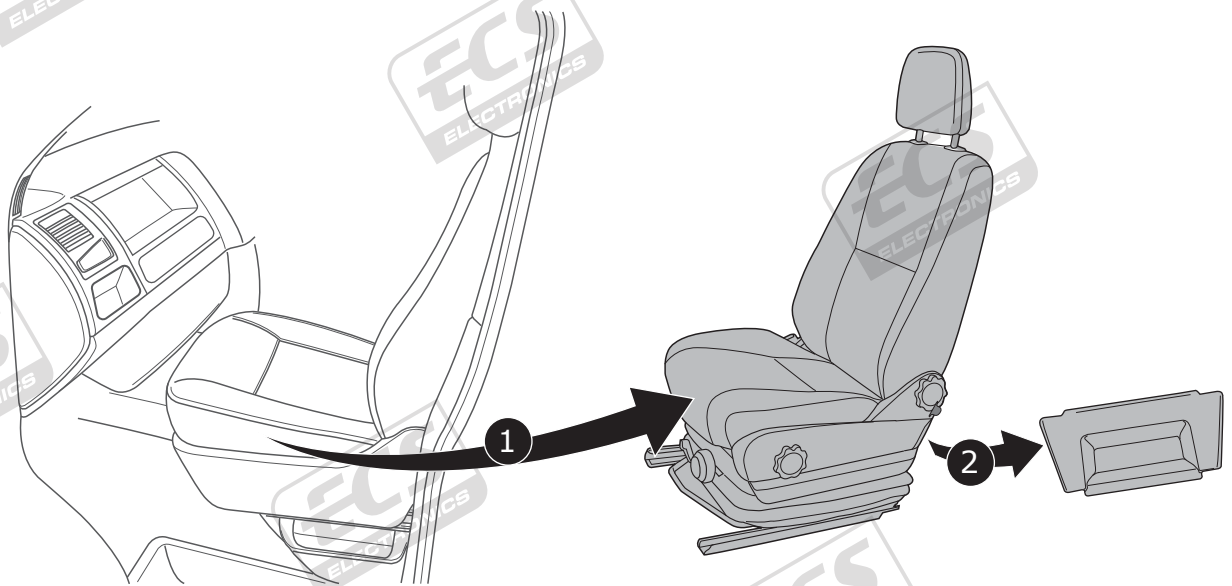


All Models

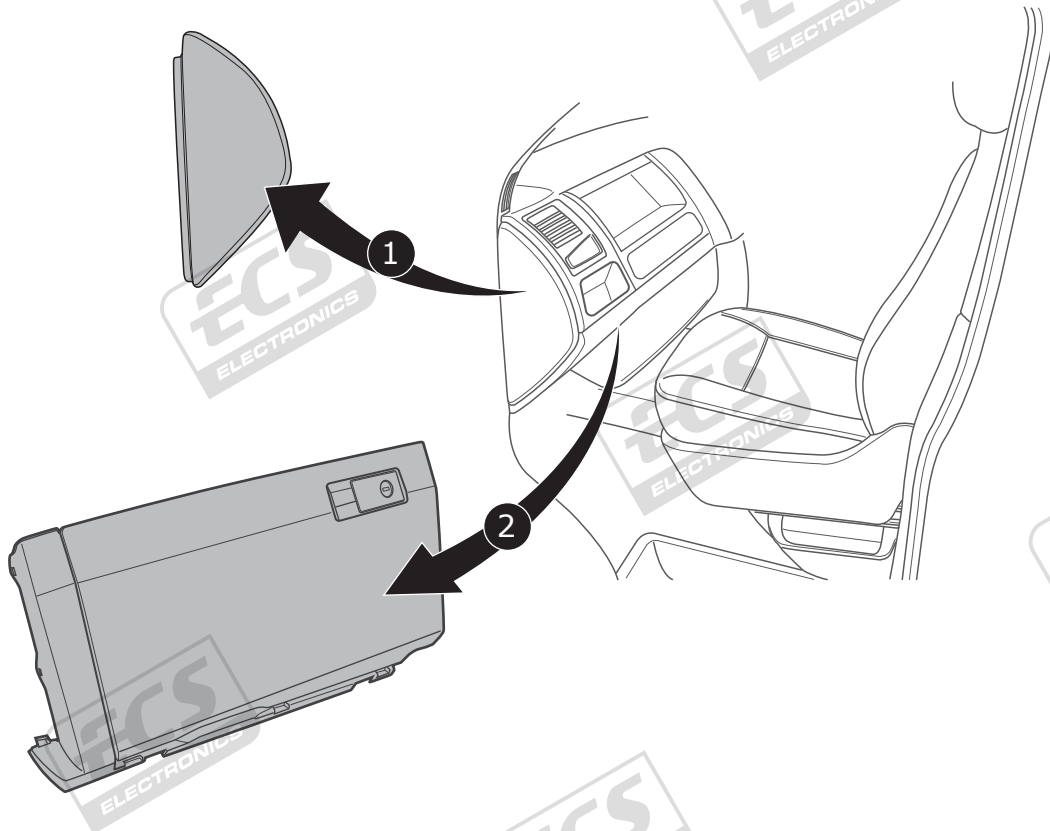
1



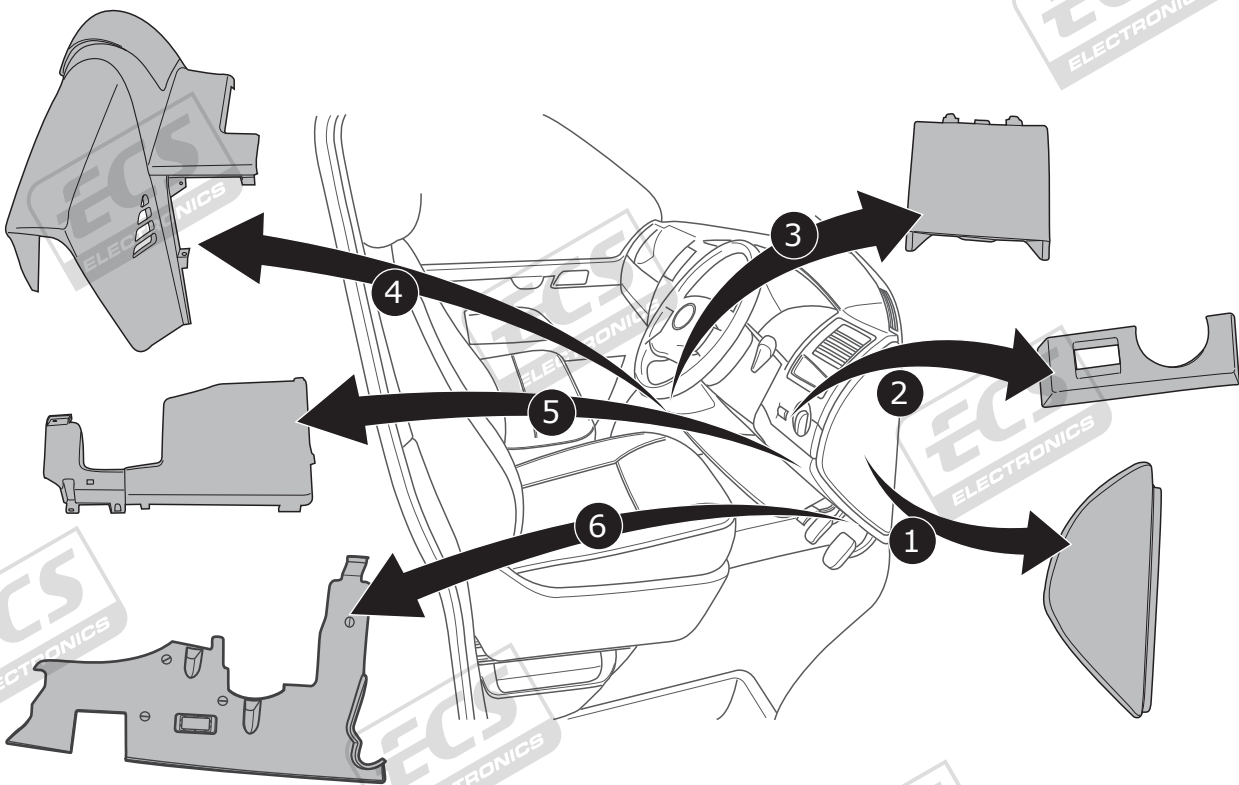
2



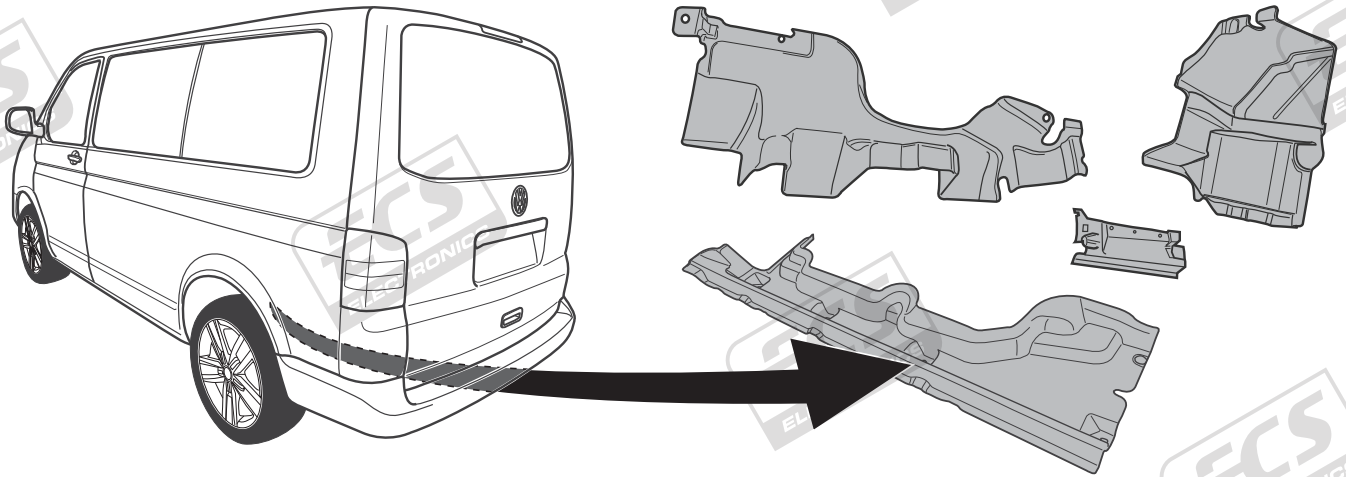
3



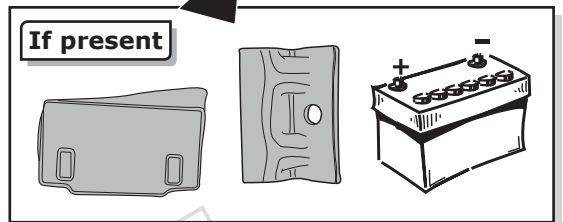
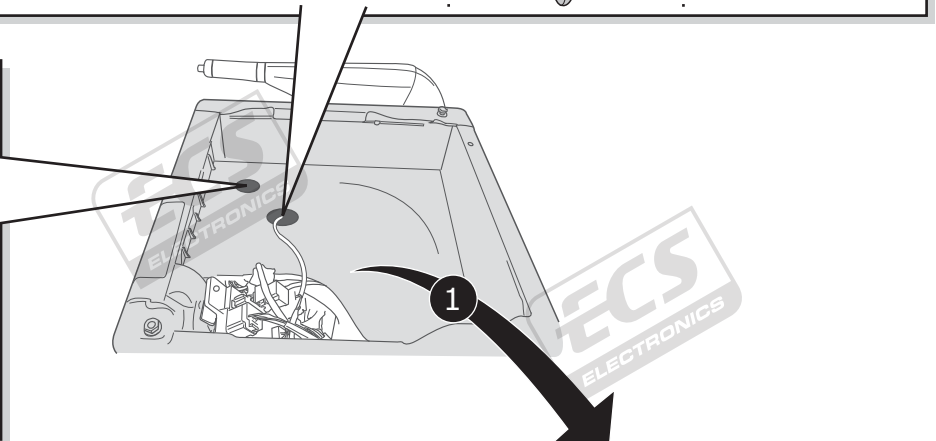
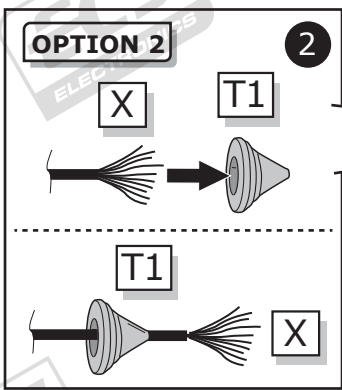
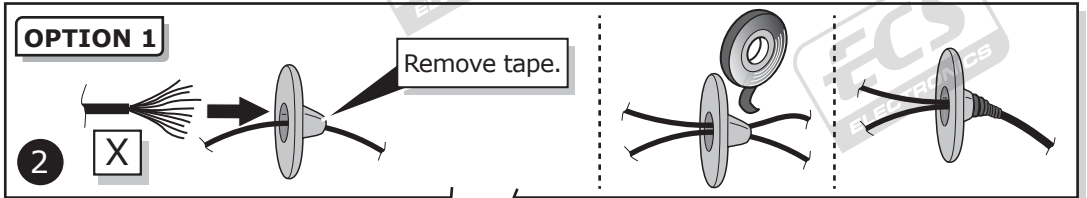
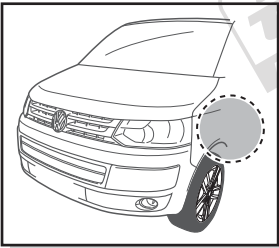
4



5



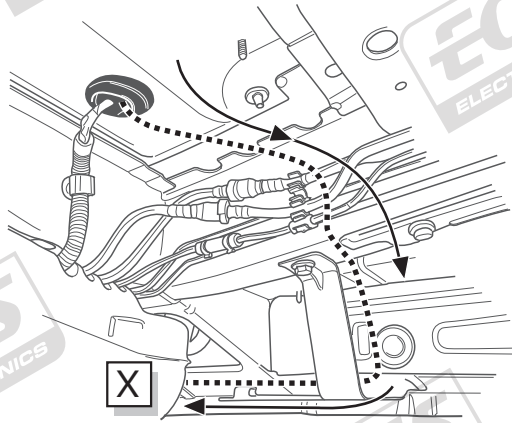
6



7

T5 & T5 Pickup

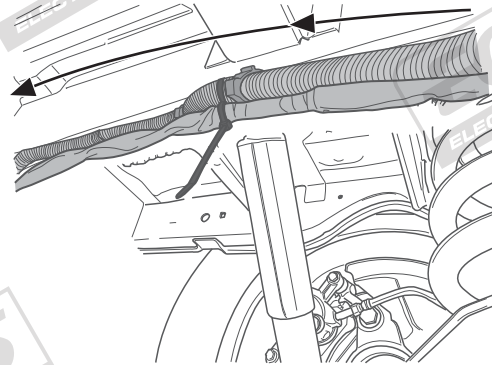
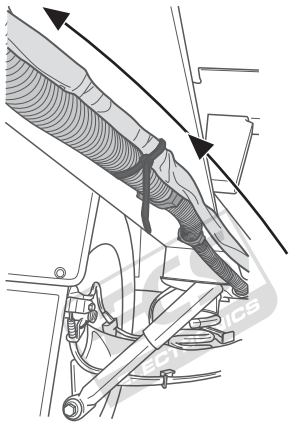
T6 & T6 Pickup



8

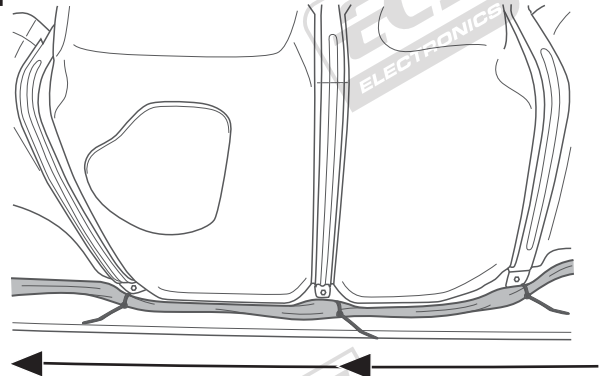
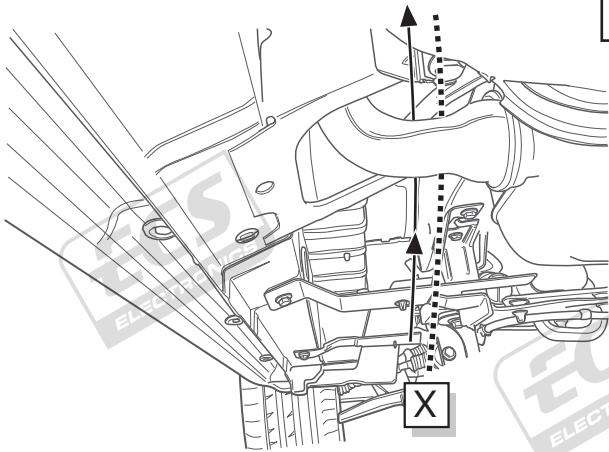
T5 Pickup

T6 Pickup



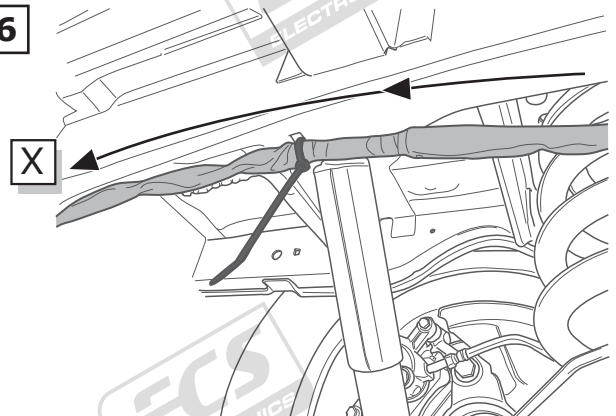
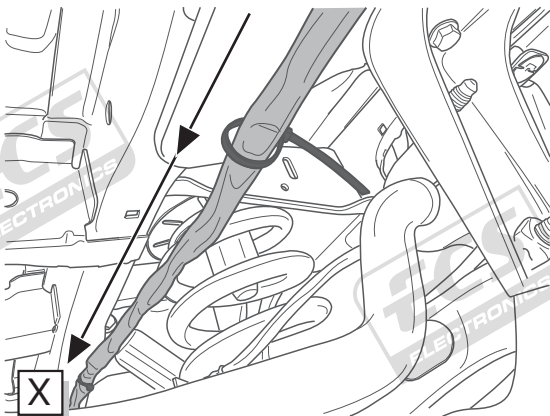
9

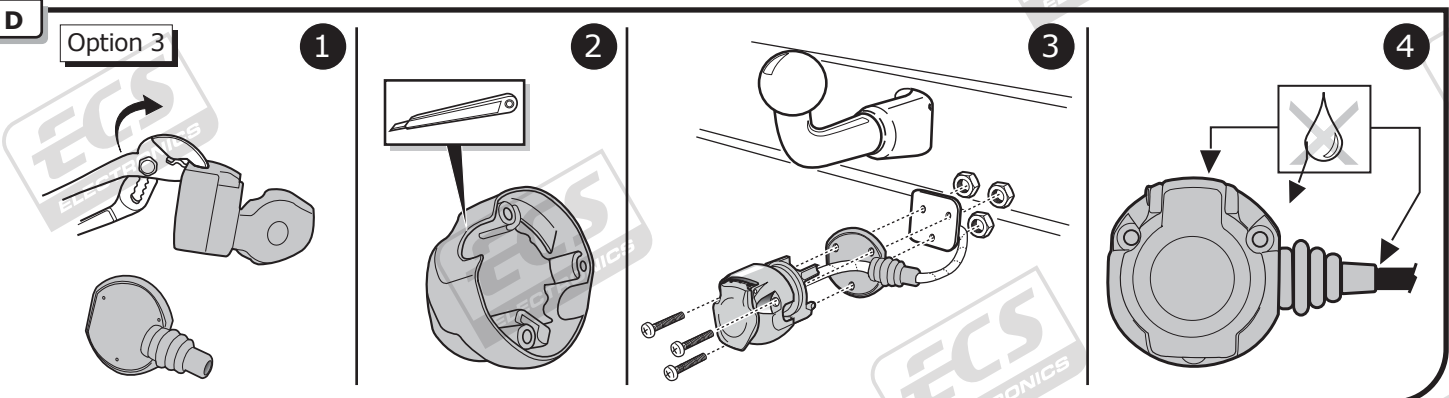
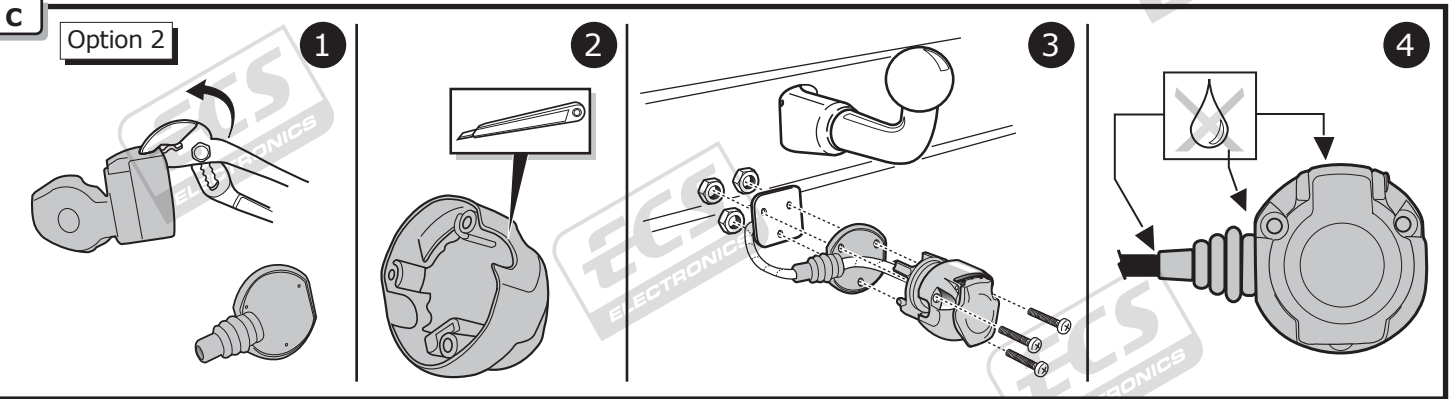
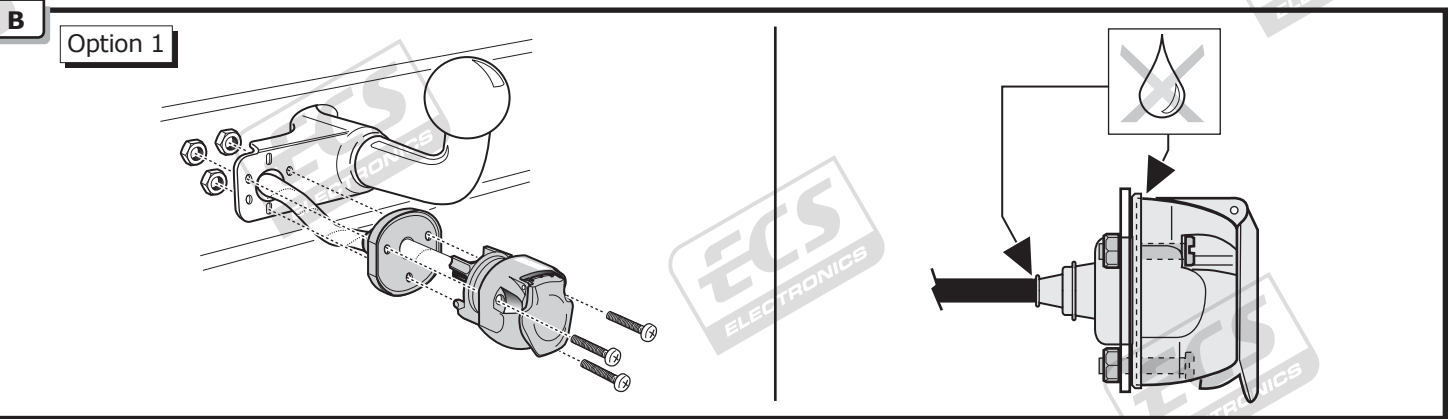
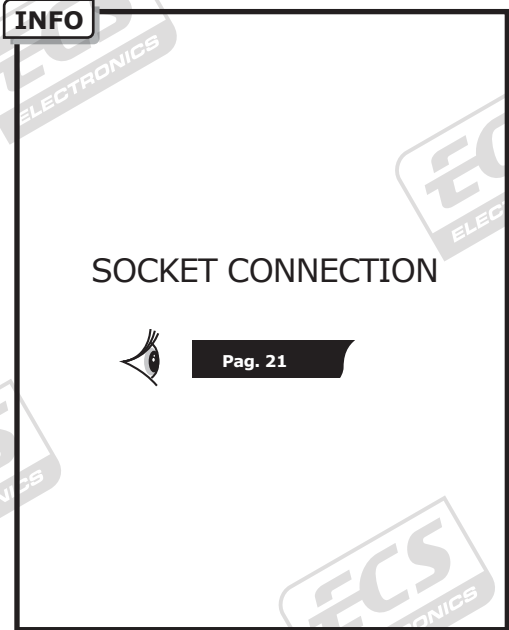
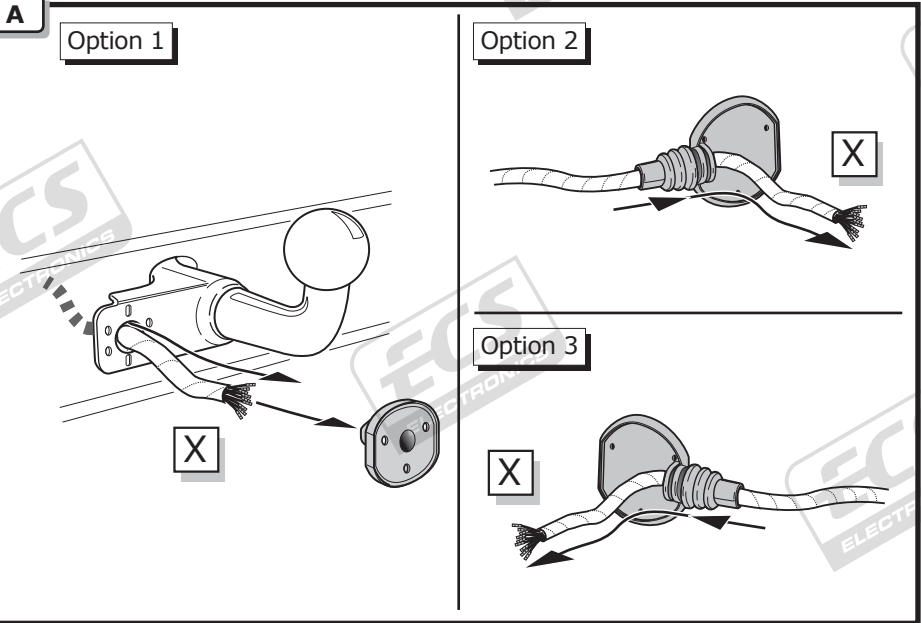
T5/ T6



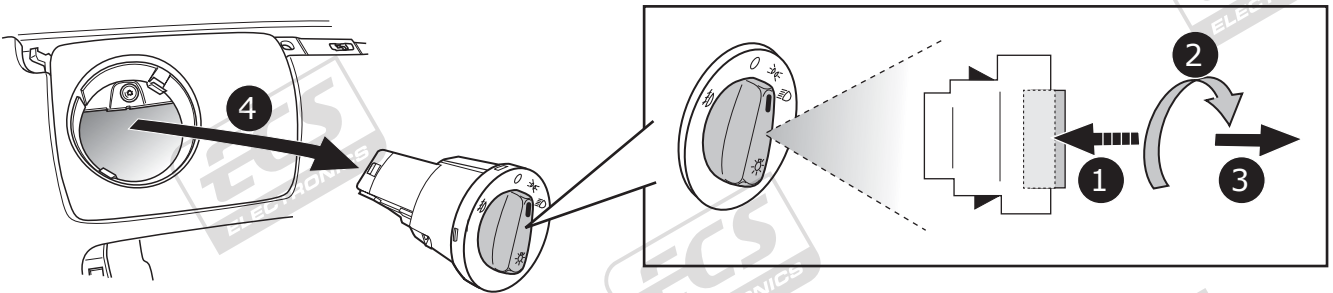
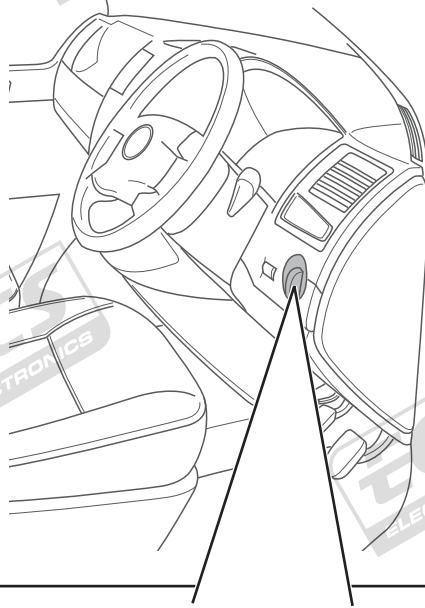
10

T5/ T6



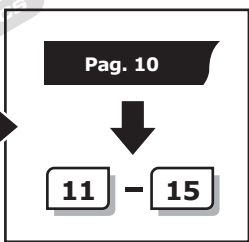
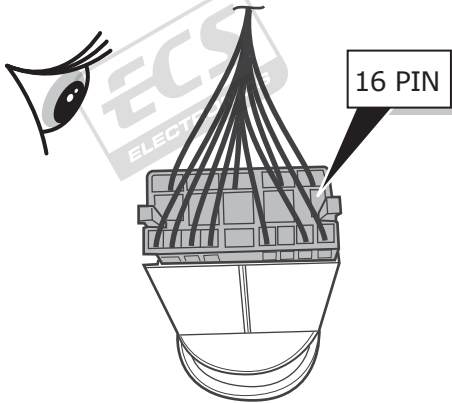


INFO



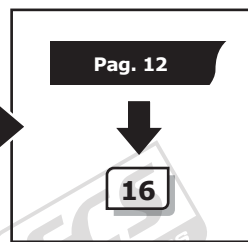
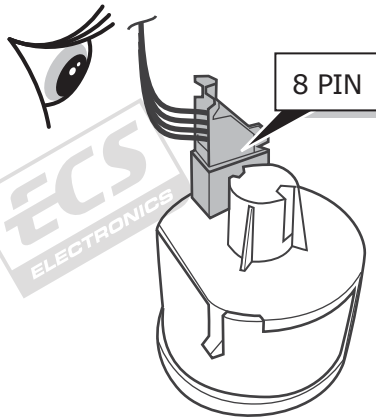
Option 1

T5 & T5 Pickup

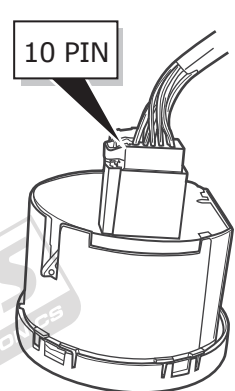


Option 2 CANBUS

T5 & T5 Pickup



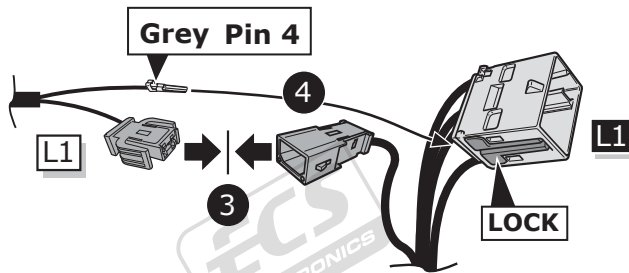
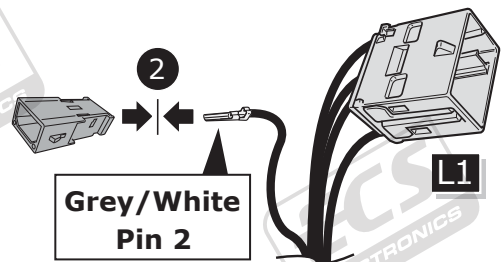
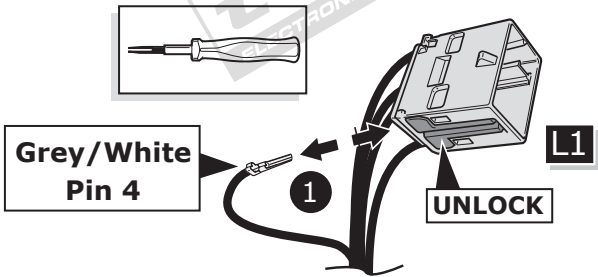
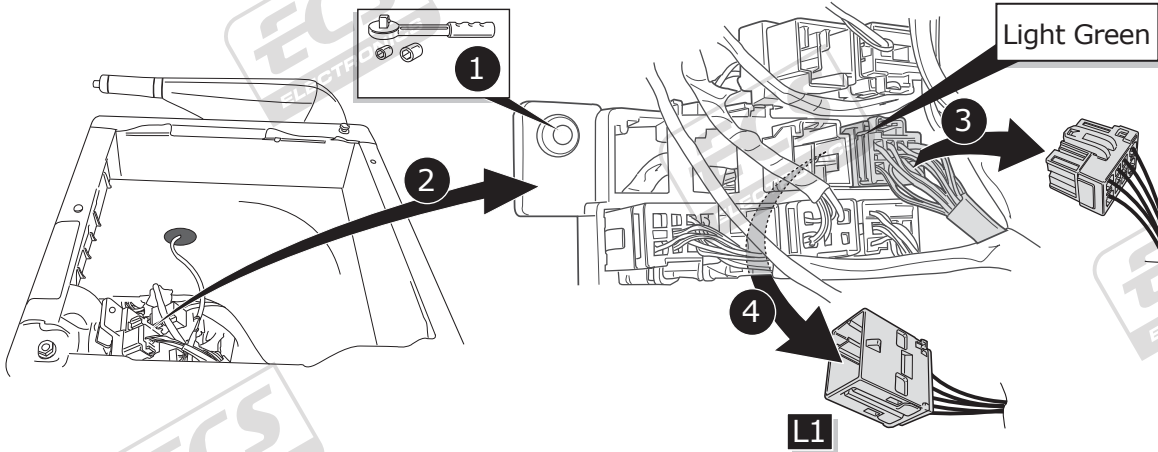
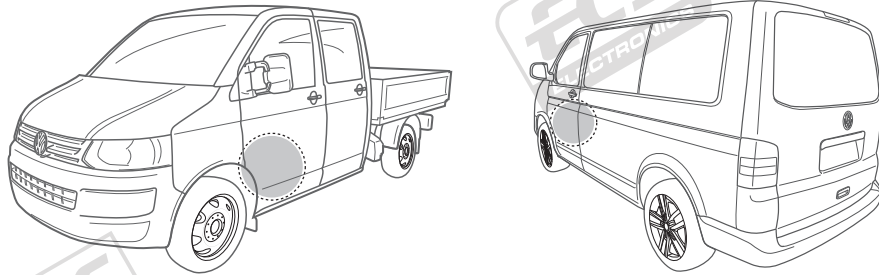
T6 & T6 Pickup



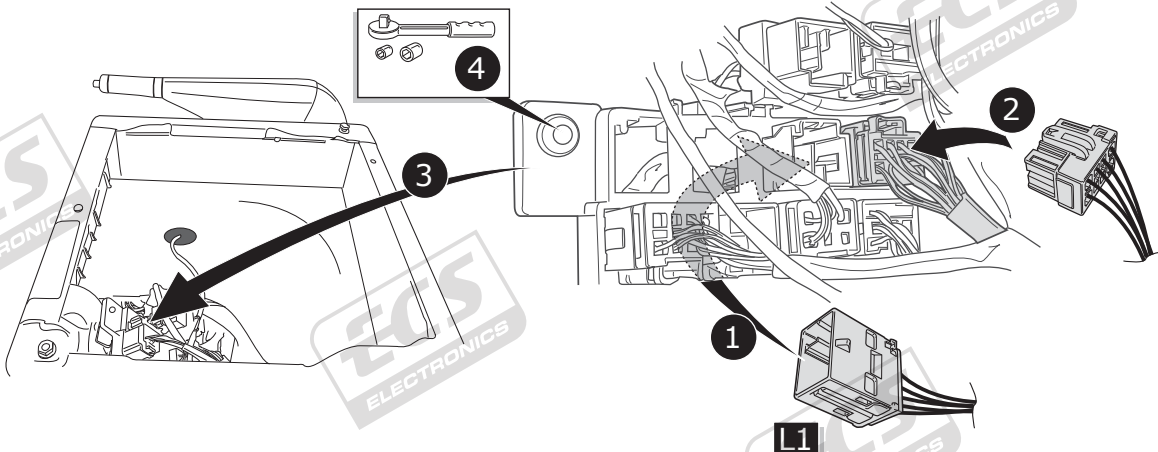
OPTION 1: fog lamp connection by rearlight

11

Option 1

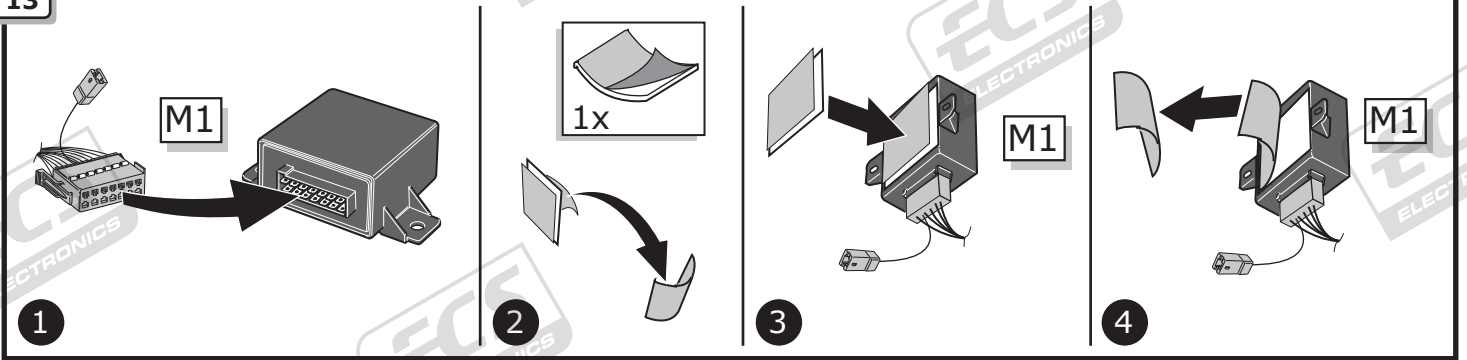


12

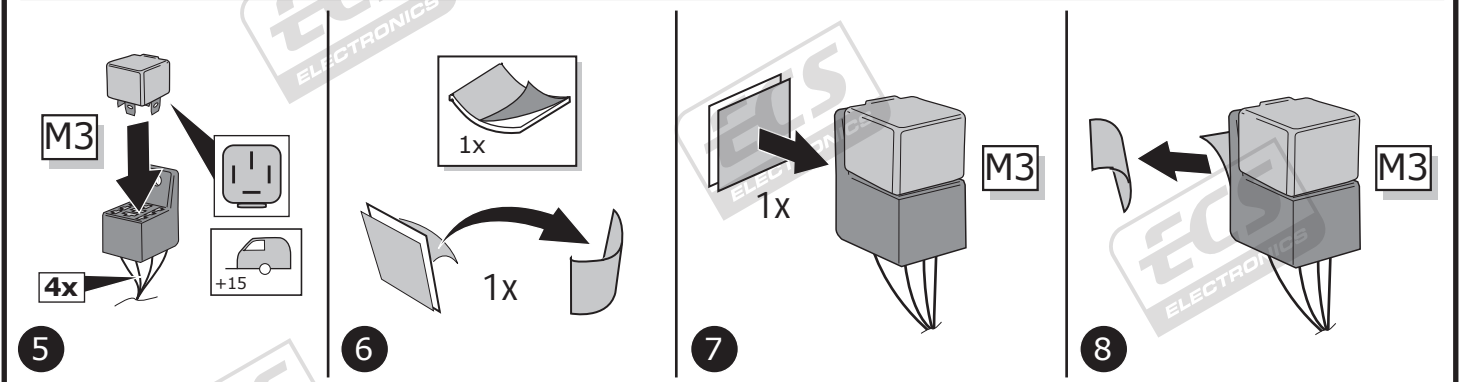
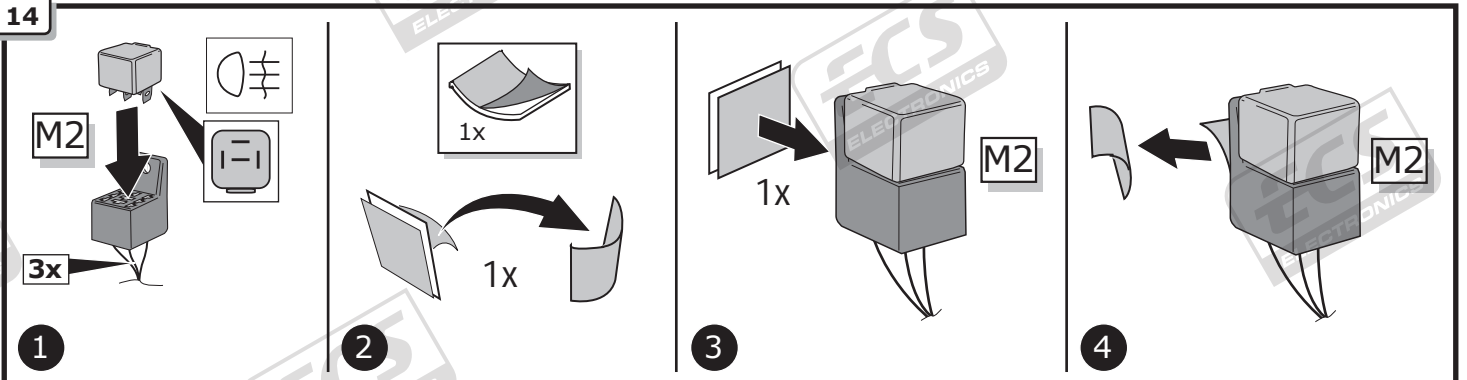


OPTION 1: fog lamp connection by rearlight

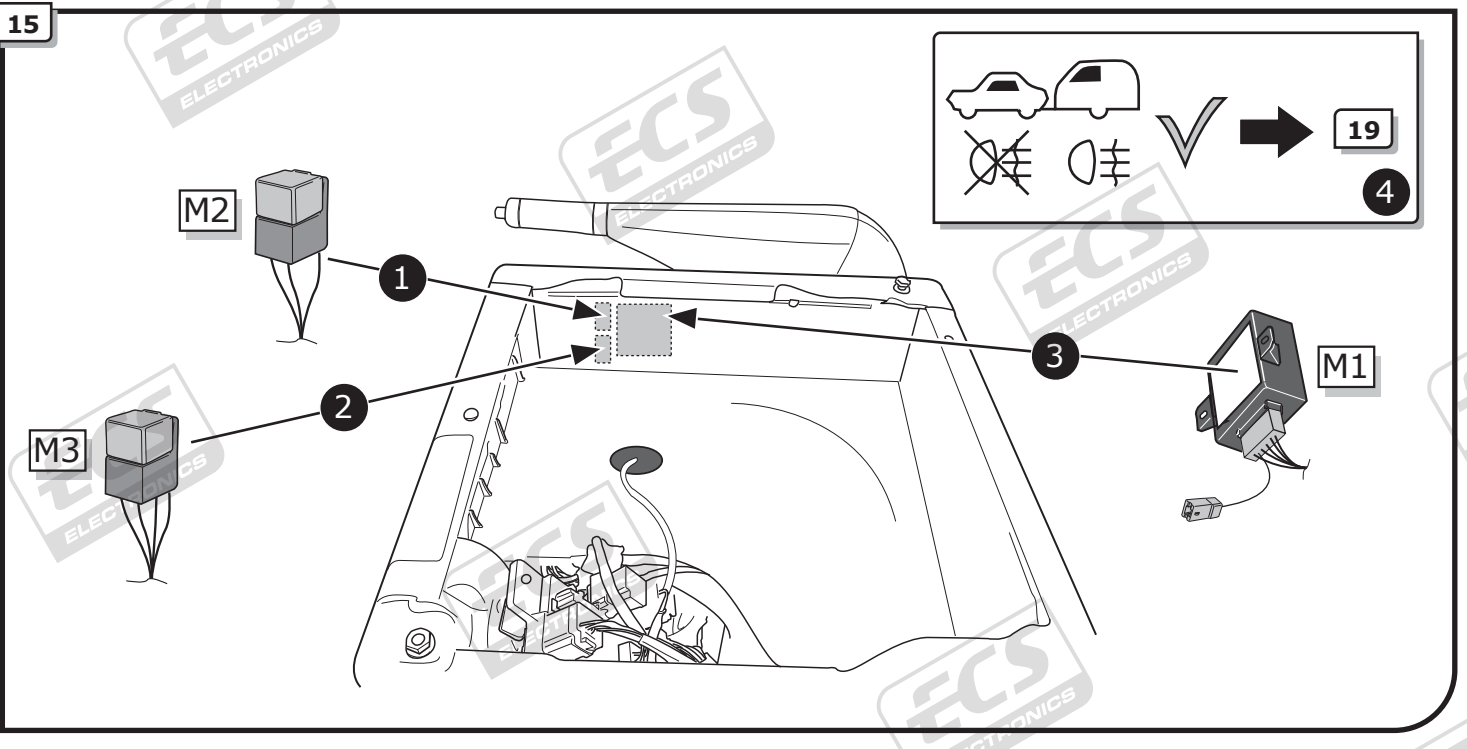
13



14



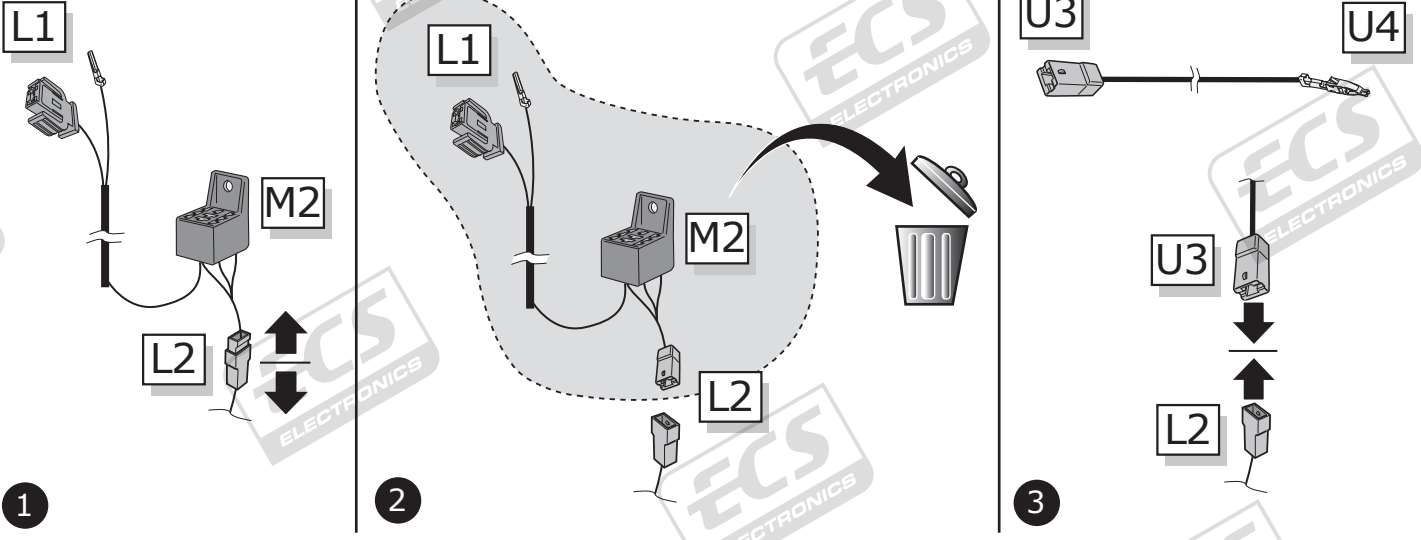
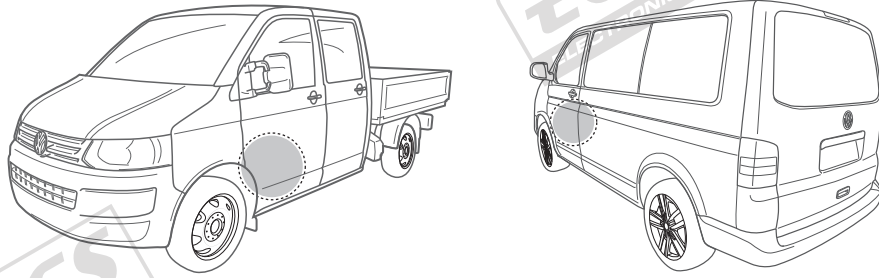
15



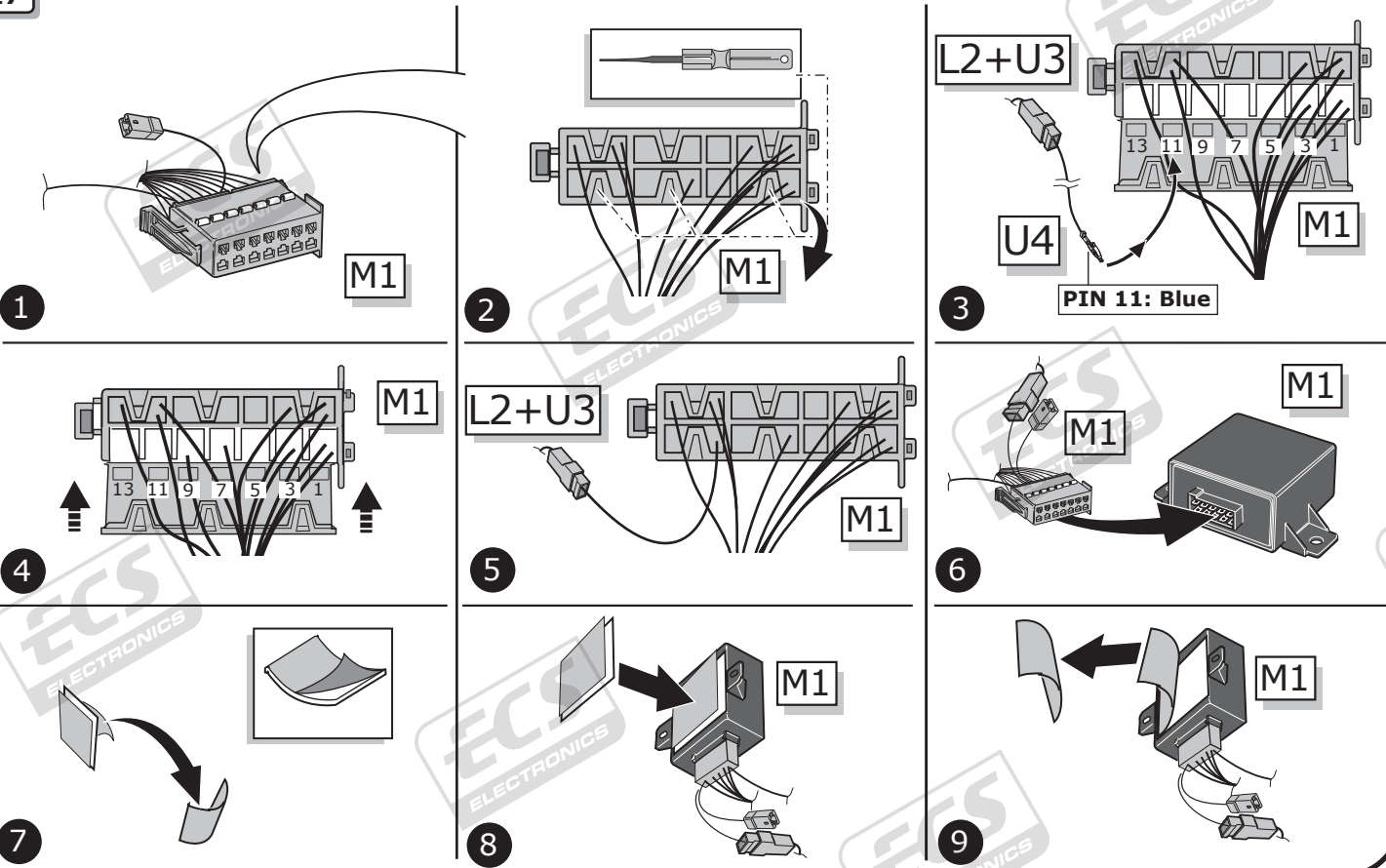
OPTION 2: fog lamp connection by CAN-bus

16

Option 2

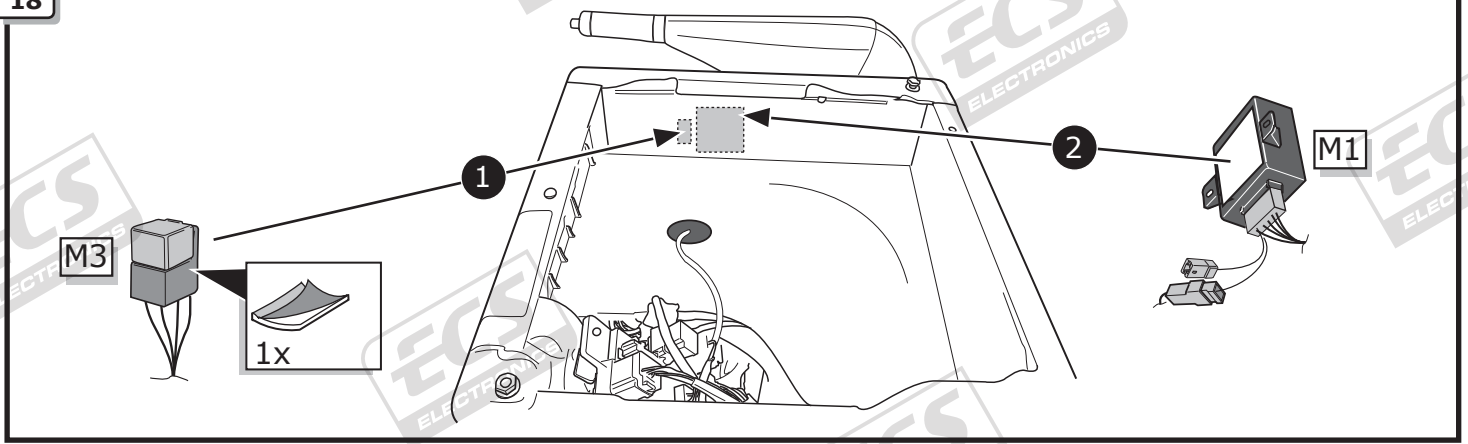


17



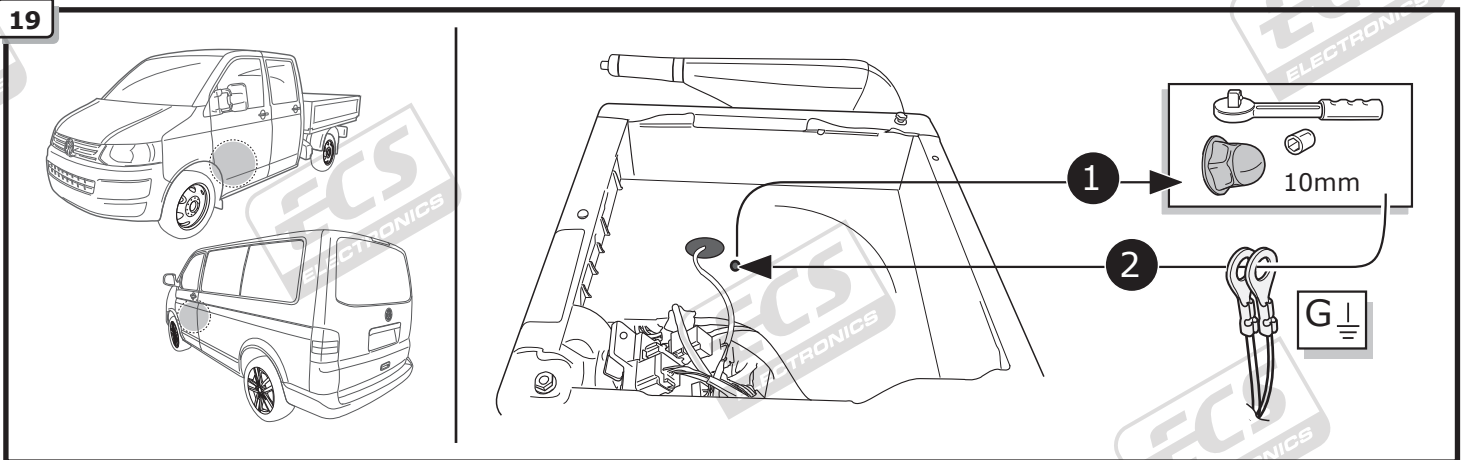
OPTION 2: fog lamp connection by CAN-bus

18

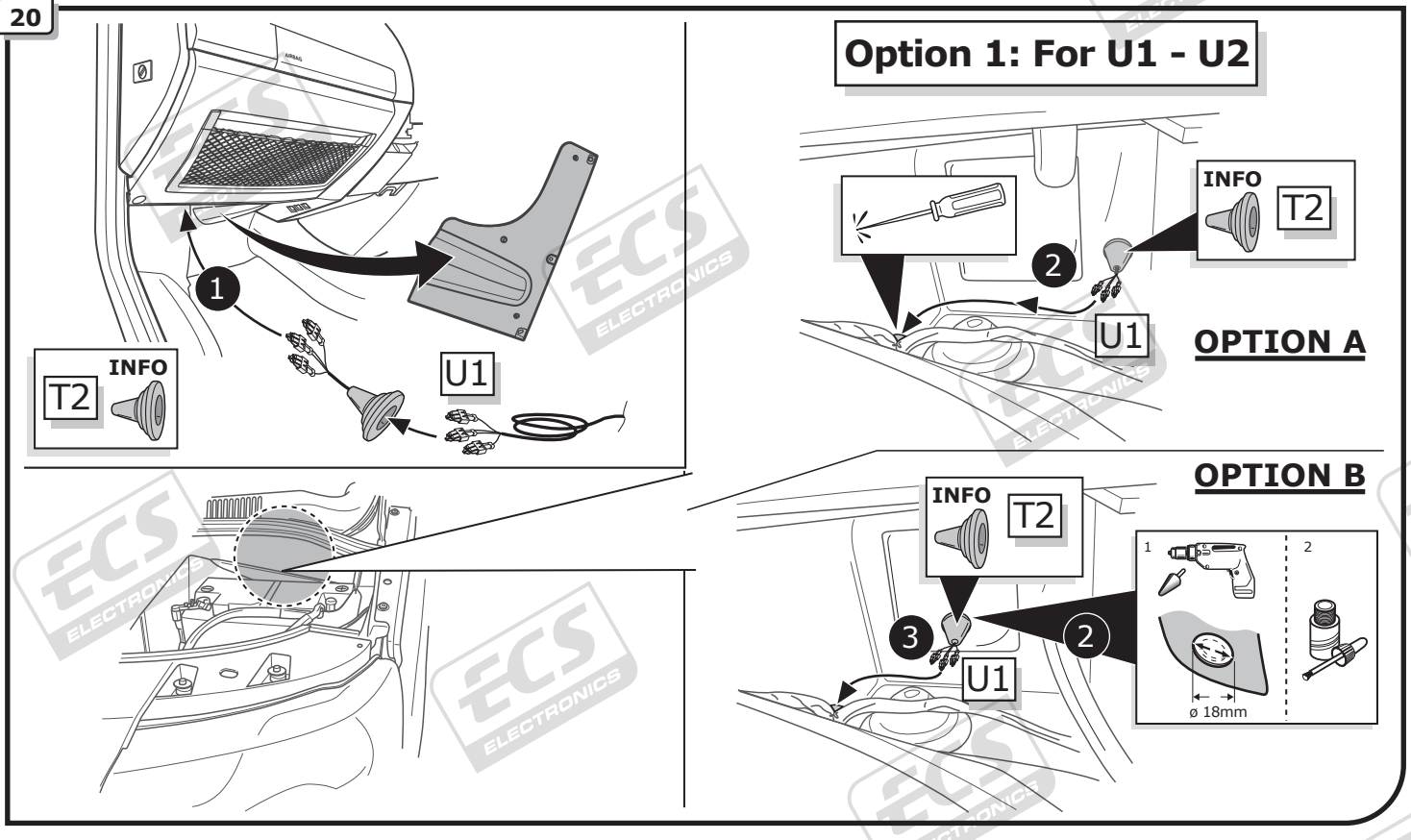


All models

19

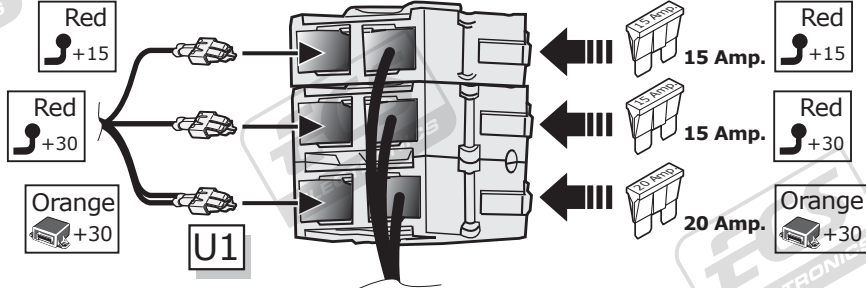
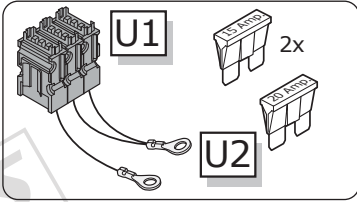


20



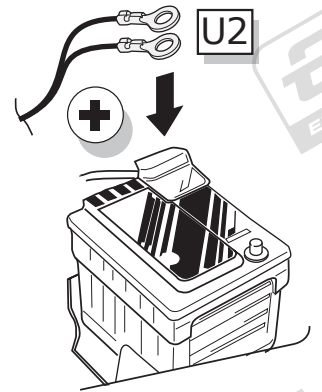
All models

21



1

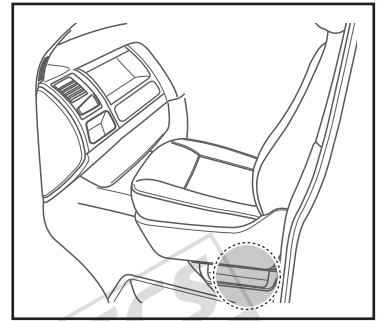
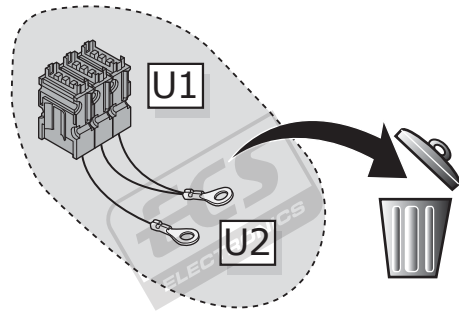
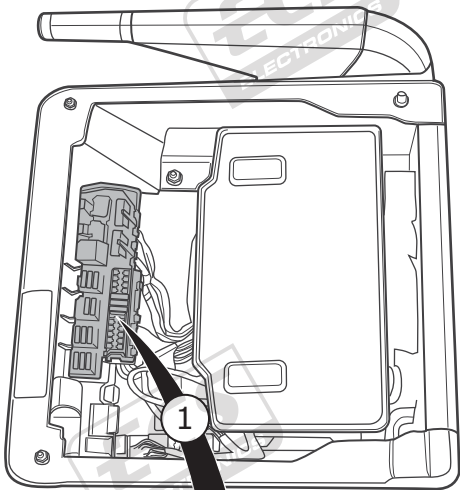
2



T5/ T5 Pickup

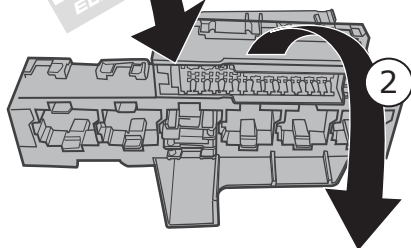
22

Option 2: For U1 - U2

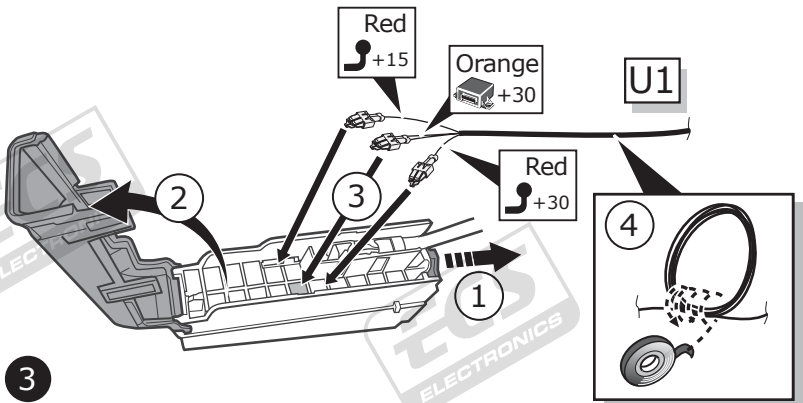


Choose any free position

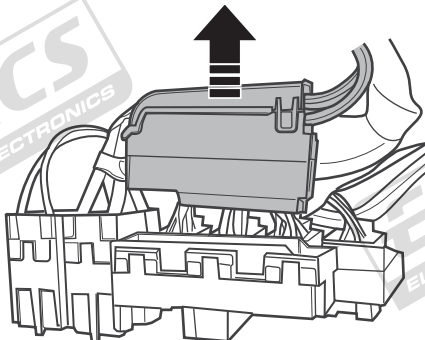
1



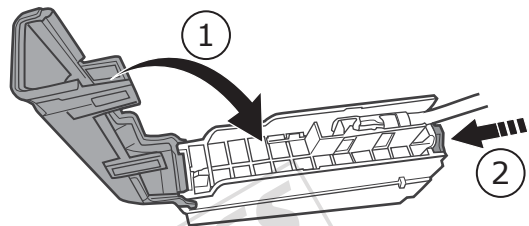
3



2

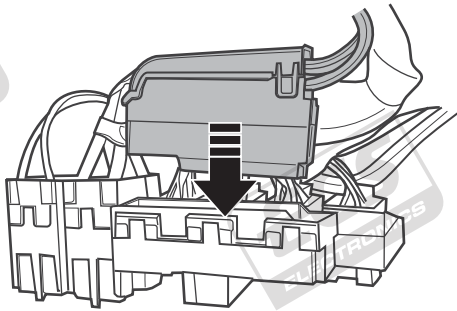


4

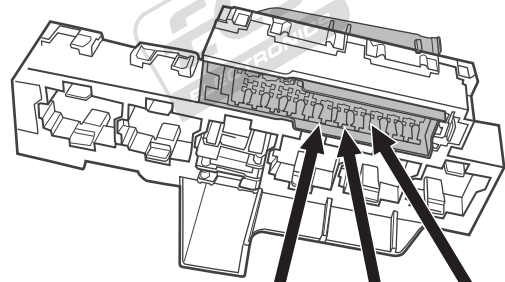


T5/ T5 Pickup

23



1

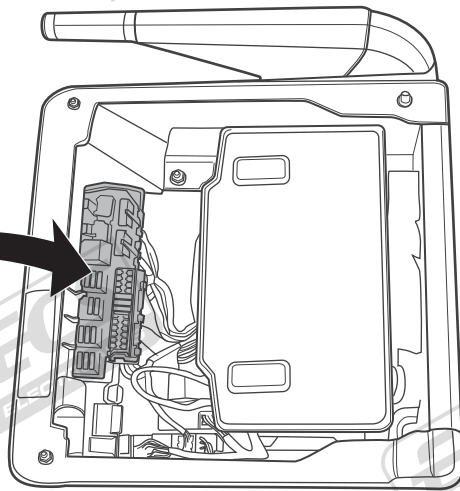
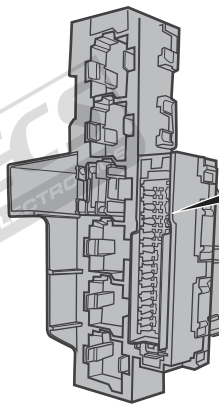


2

15 Amp.
Red
+15

20 Amp.
Orange
+30

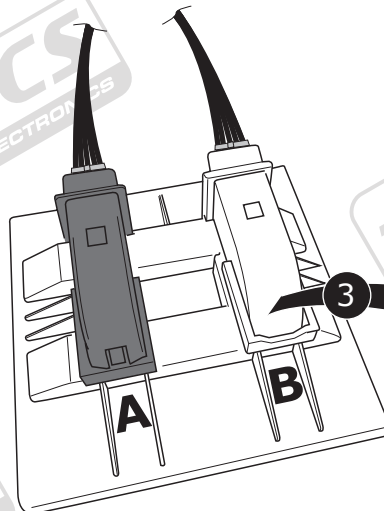
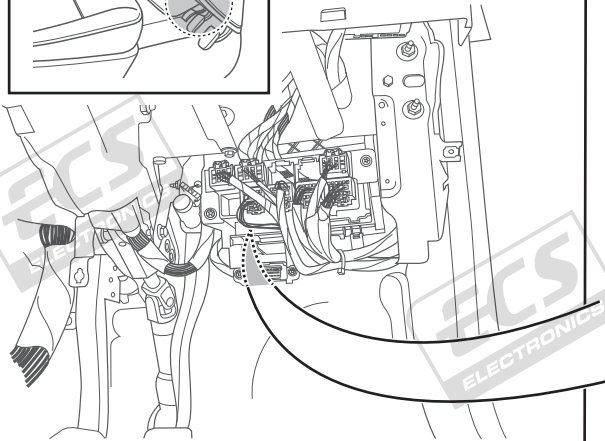
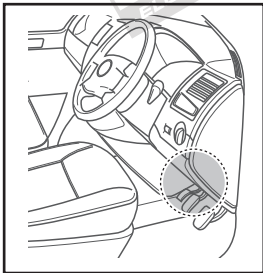
15 Amp.
Red
+30



3

All Models

24



UNLOCK

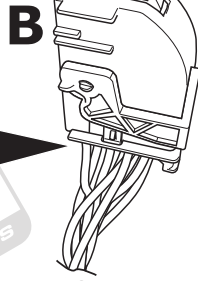
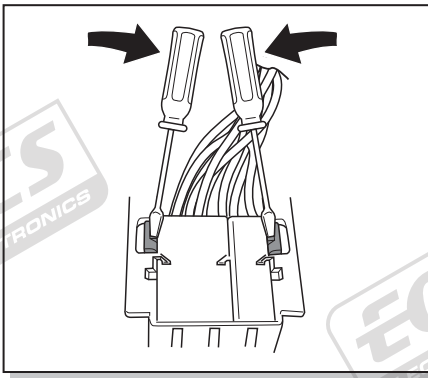
3

2

1

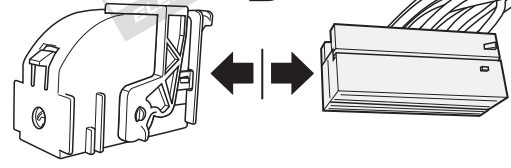
All Models

25

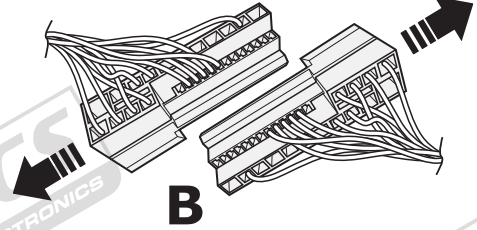


1

2



3



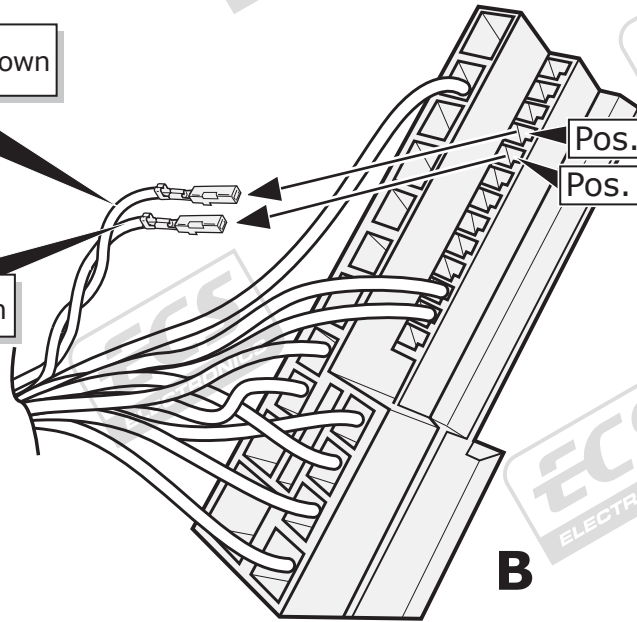
26

Can-bus
Datawire

Pos. 21 Orange/Brown

Pos. 20 Orange/Green

Pos. 21
Pos. 20



27

Pos. 2
Orange/Brown

Pos. 3
Orange/Green

LOCK

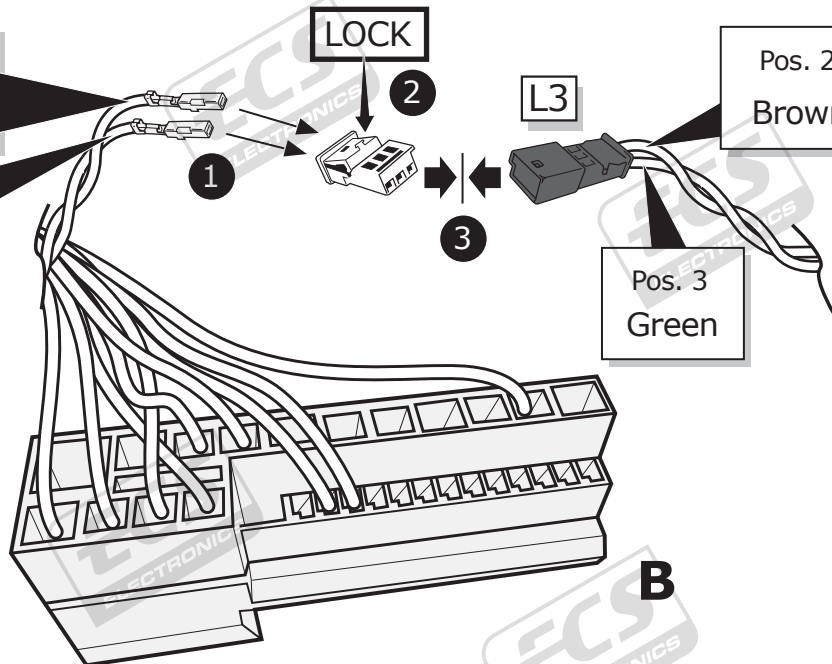
2

L3

Pos. 2
Brown

3

Pos. 3
Green



28

Can-bus
Datawire

Pos. 21 Brown

Pos. 20 Green

L3

Pos. 21

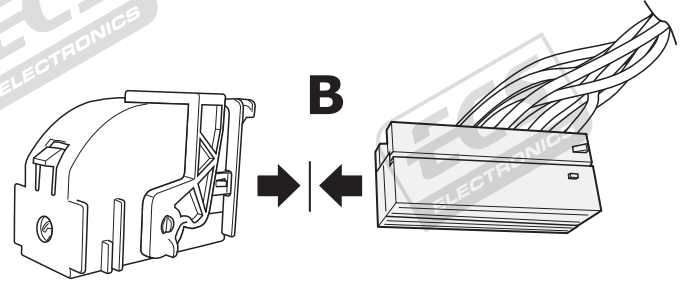
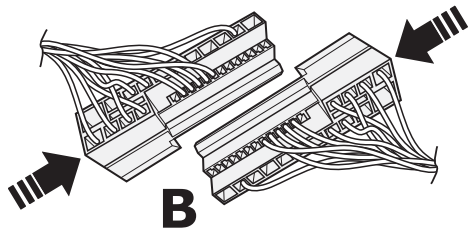
Pos. 20

B

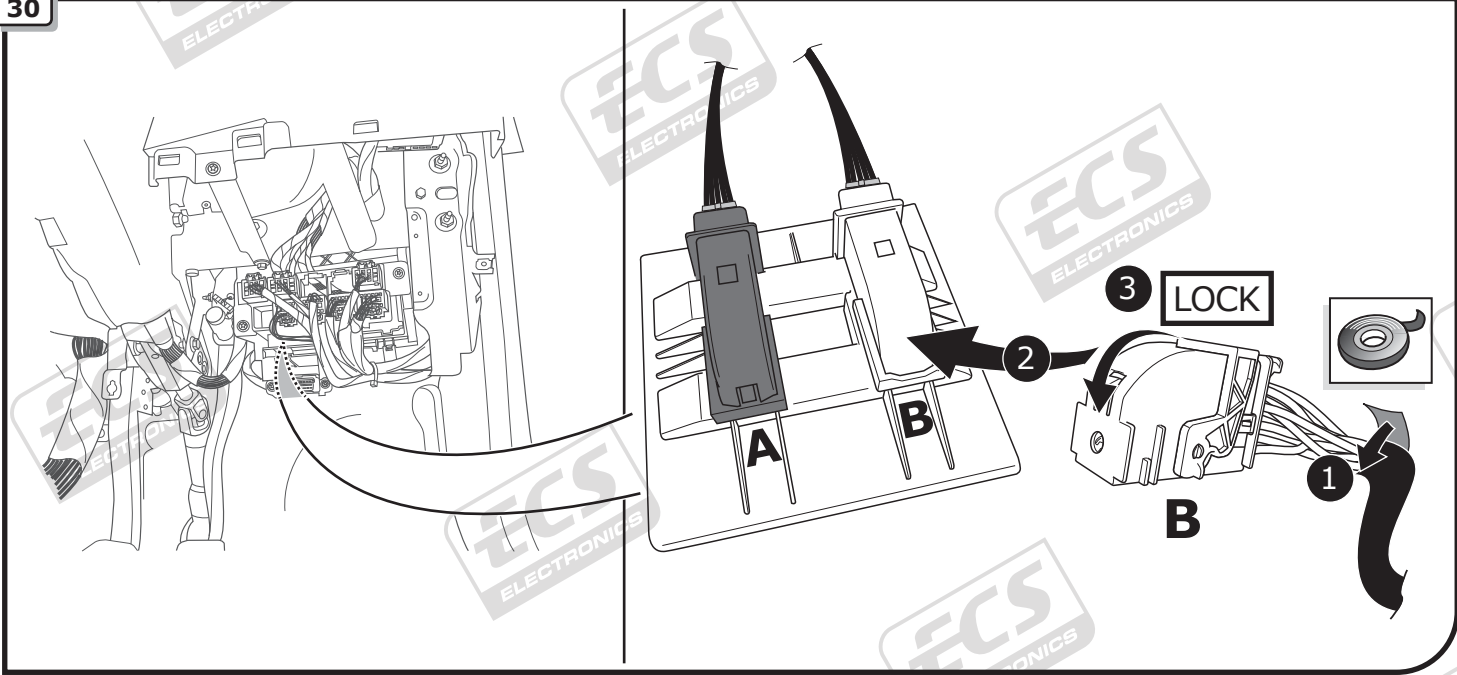
29

1

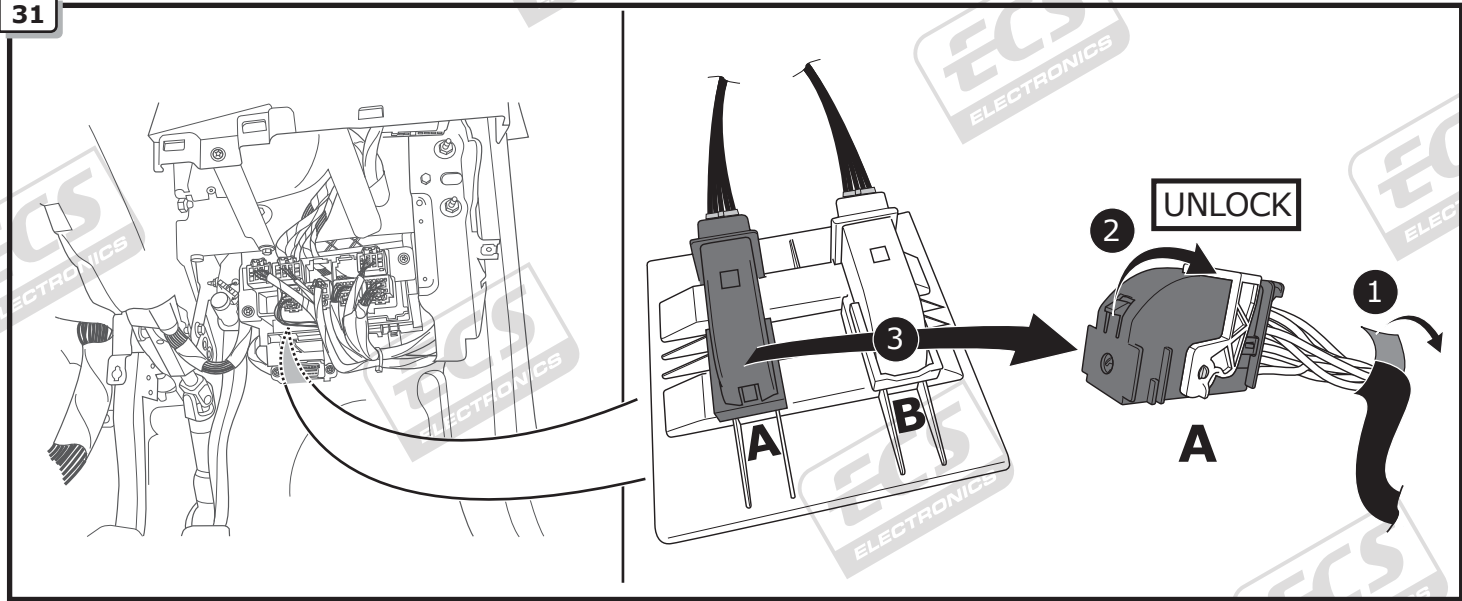
2



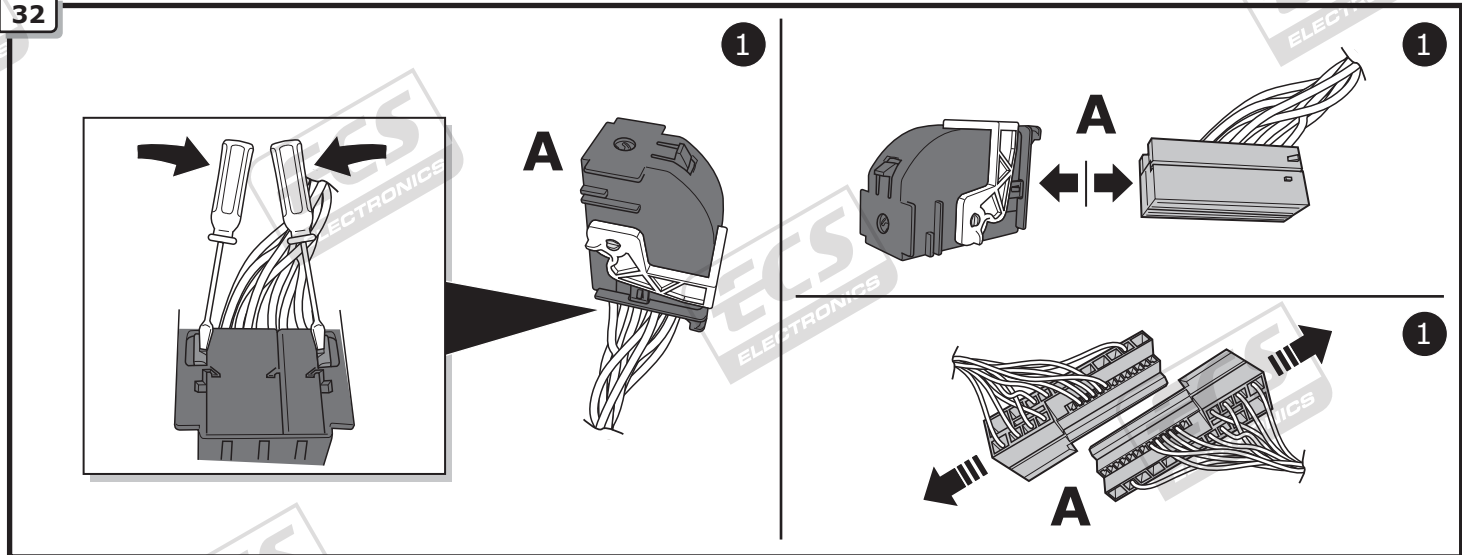
30



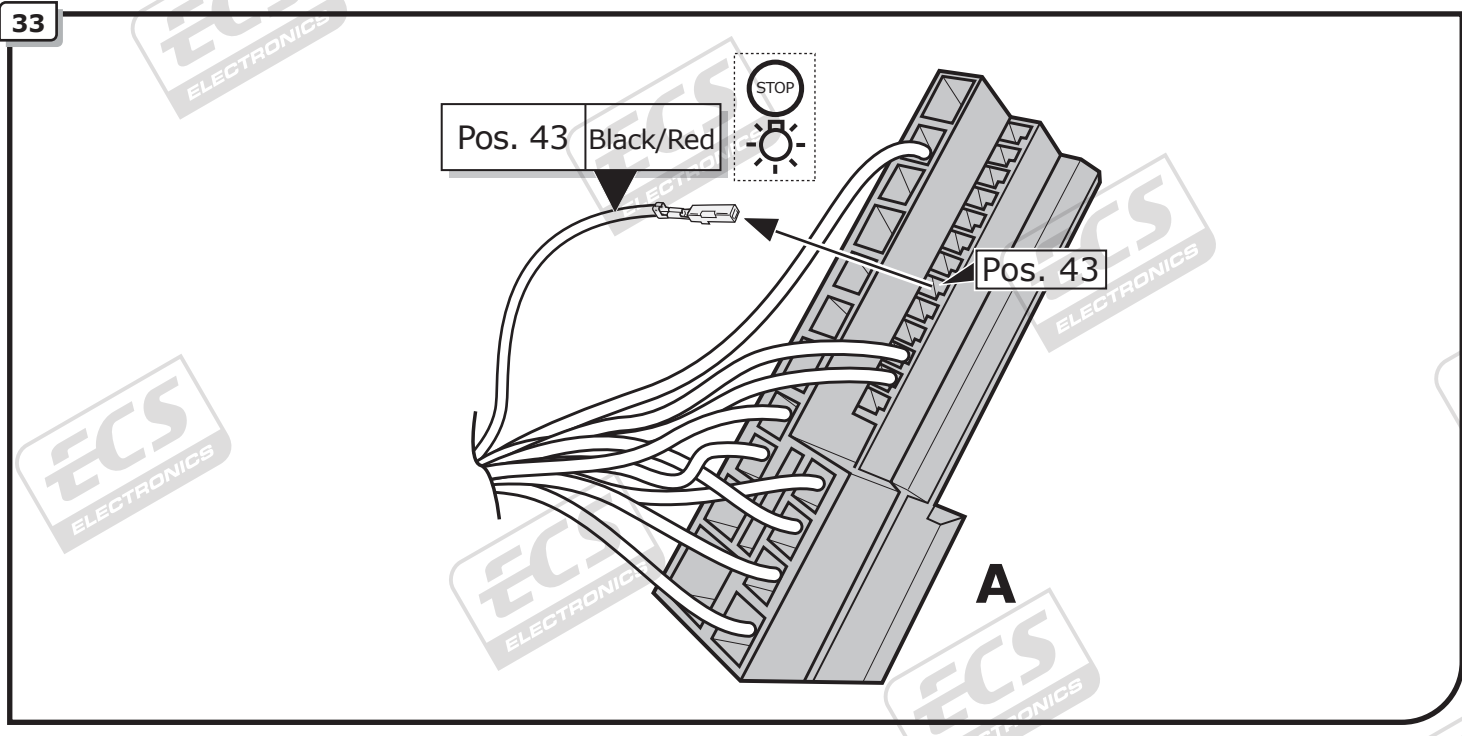
31



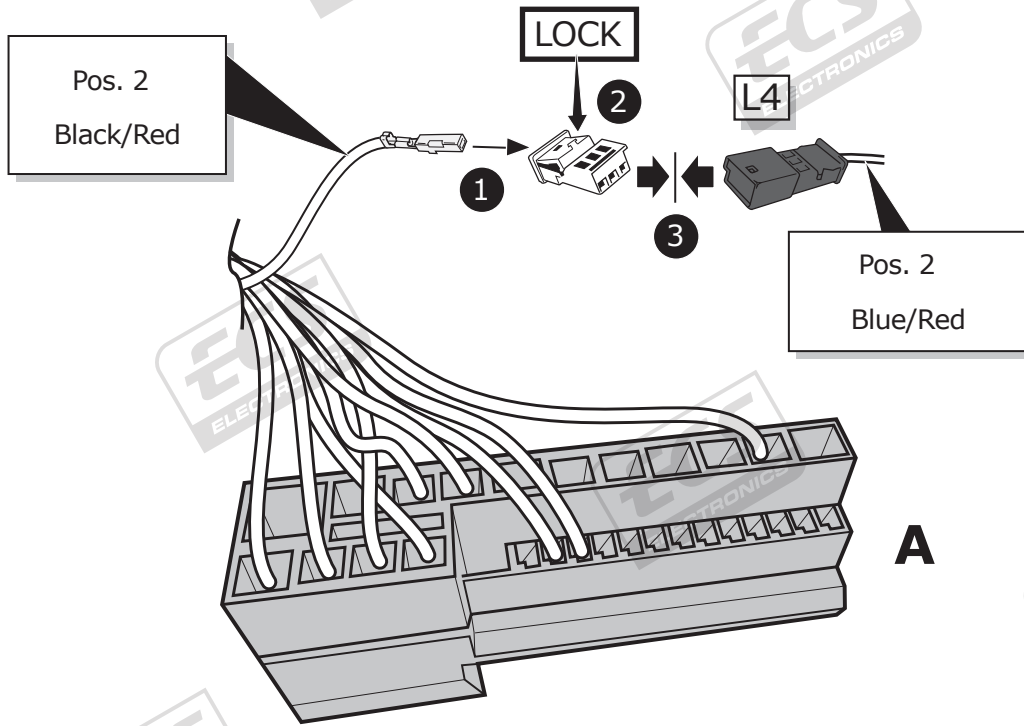
32



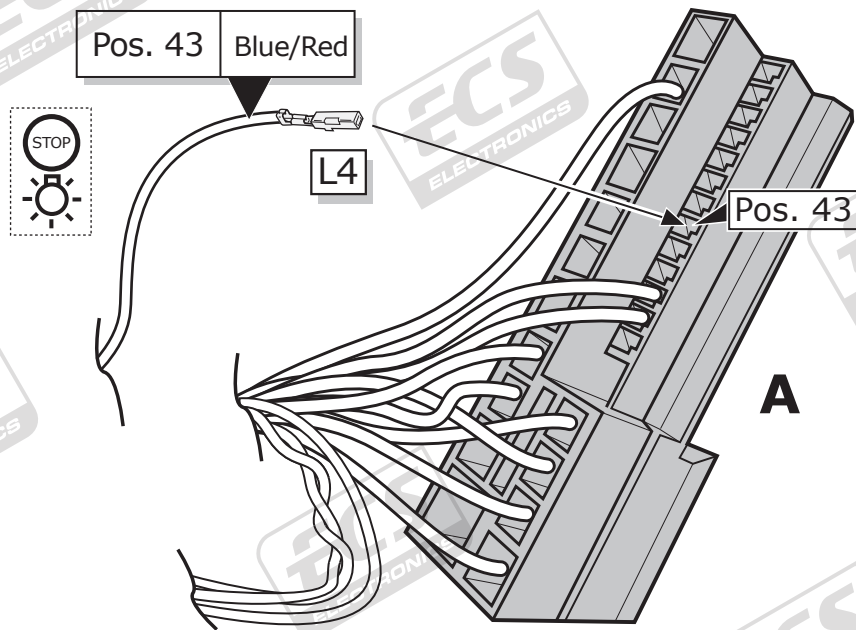
33



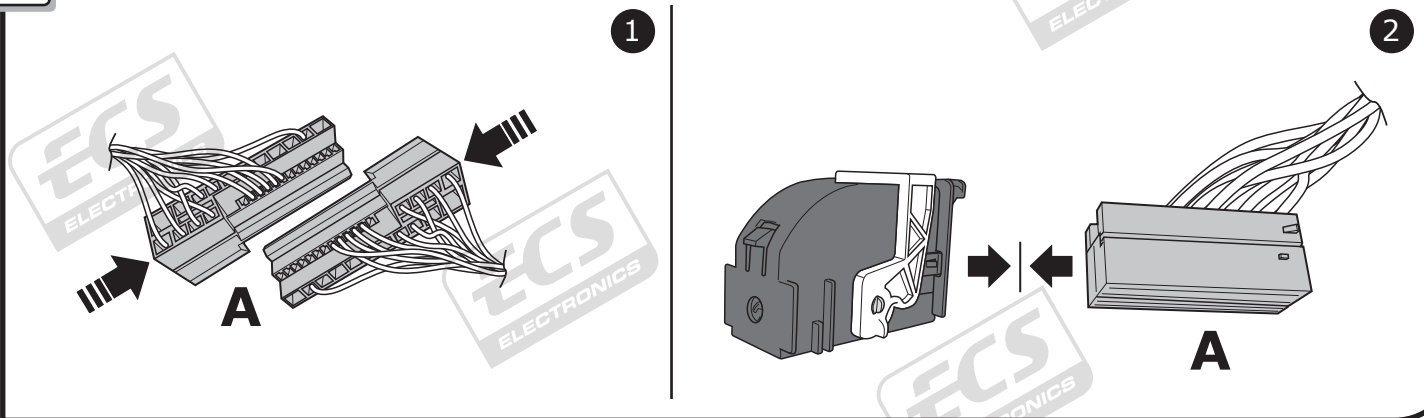
34



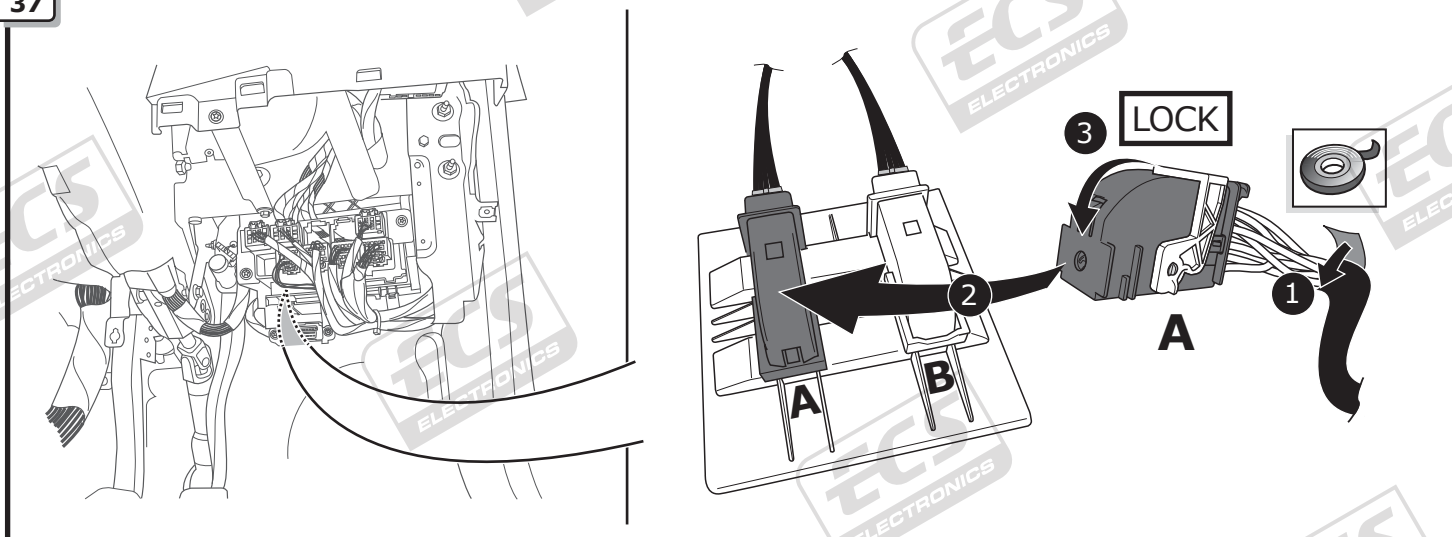
35



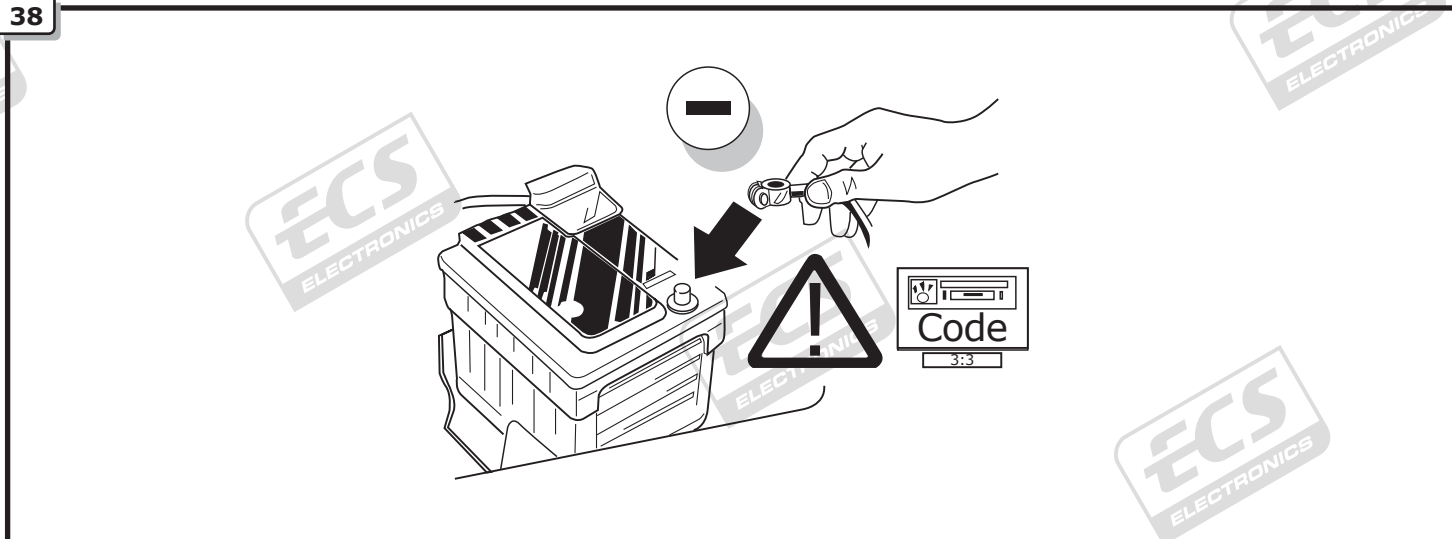
36



37



38



39

A VAG Service Tester must be used to code the vehicle's Gateway with the additional function for the towing hitch at the dealer.

40



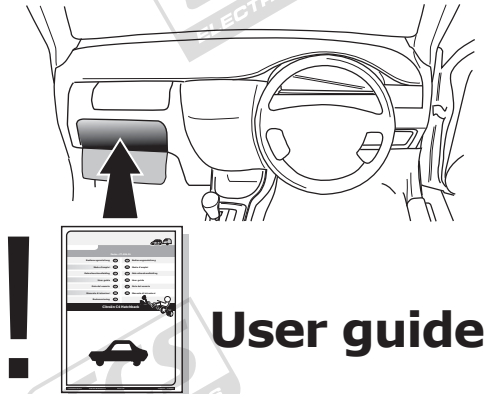
TEST ALL THE CIRCUITS WITH A TEST DEVICE WITH THE CORRECT POWER LOAD FOR EACH FUNCTION. A TEST DEVICE WITH LED'S CANNOT BE USED FOR THIS PURPOSE.

All Models

INFO

REINSTALL TRIM.

41



User guide



INFO

SOCKET CONNECTION

DIN/ISO 11446												
1/L	2	3/31	4/R	5/58-R	6/54	7/58-L	8	9	10	11	12	13
Pmax	21W	21W	21W	42W	3x21W	42W	21W	180W/15Amp	180W/15Amp			
Colour	Black/White	Blue	Brown	Black/Green	Grey/Red	Black/Red	Grey/Black	Black	Red	Yellow	Brown	Brown