

## Volkswagen

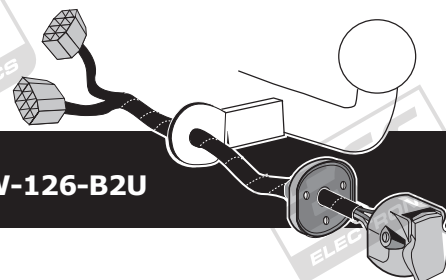
**Transporter T5 (GP) 2010 >> 06/2015**

**Transporter T5 Pickup (GP) 2010 >> 06/2015**

**Transporter T6 07/2015 >> 12/2019**

**Transporter T6 Pickup 07/2015 >> 12/2019**

**Partnr.: VW-126-B2U**



- Fitting instructions electric wiring kit tow bar with 12-N socket up to DIN/ISO Norm 1724.
- We would expressly point out that assembly not carried out properly by a competent installer will result in cancellation of any right to damage compensation, in particular those arising by virtue of the product liability act.
- Contents of these kits and their fitting manuals are subject to alteration without notice, please ensure that these instructions are read and fully understood before commencing installation.
- Do not overload circuits; the maximum loads per connection are detailed in this manual.
- Attention! Before Installation, please read this manual carefully and inform your customer to consult the vehicle owners manual to check for any vehicle modifications required before towing.
- In the event of functional problems, troubleshooting must be limited to about 0.5 hours, contact the technical support:  
[t.skinner@ecs-electronics.com](mailto:t.skinner@ecs-electronics.com) / 07440 202 052.

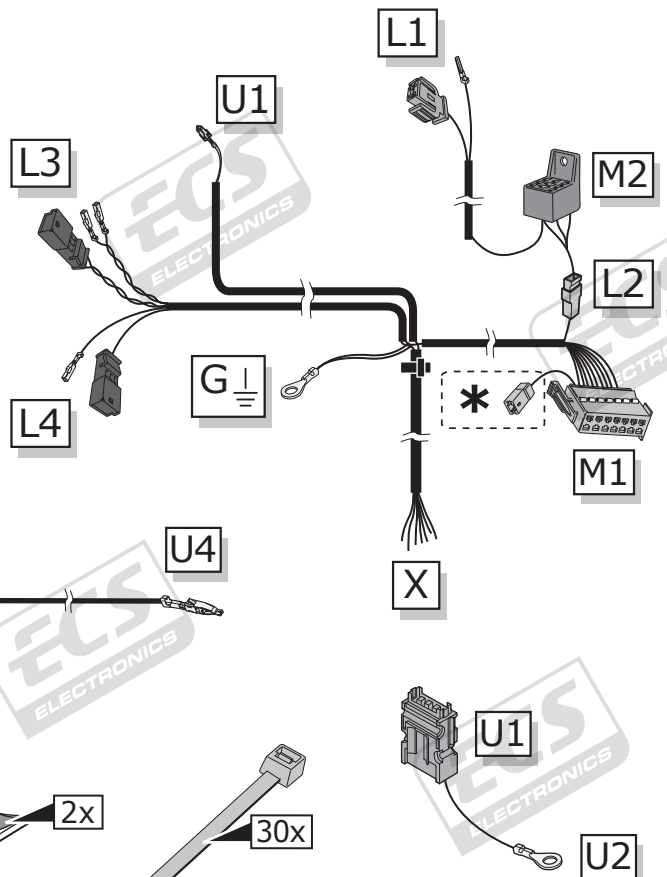
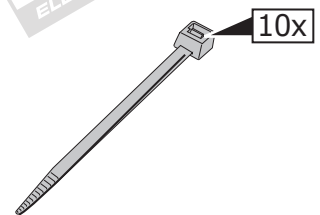
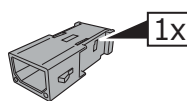
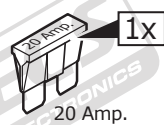
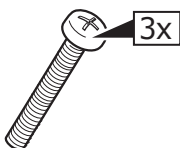
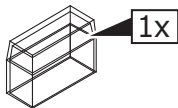
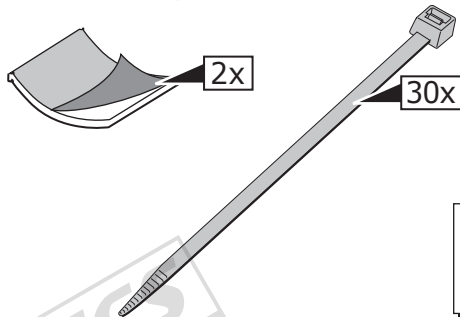
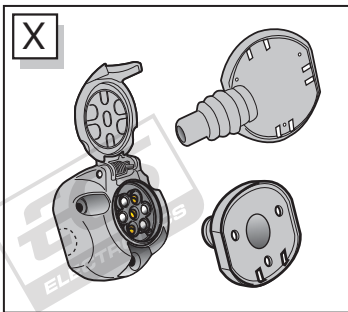
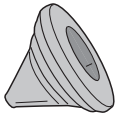
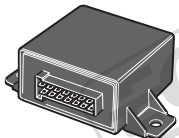
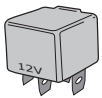
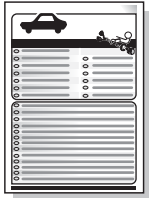
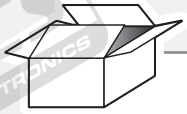
**TECHNICAL SUPPORT**

**CALL**  
**07440**  
**202**  
**052**

**ECS ELECTRONICS**

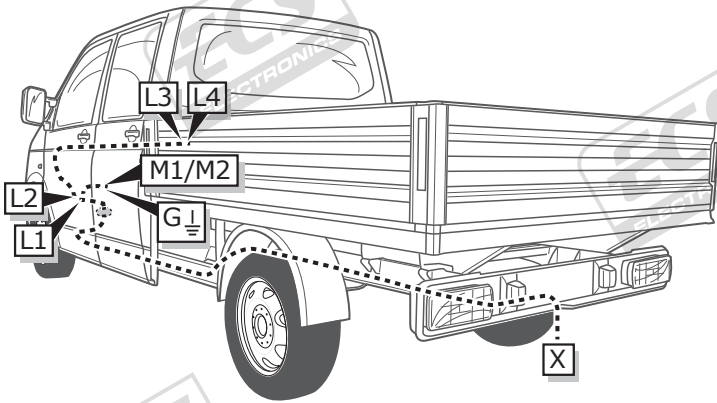
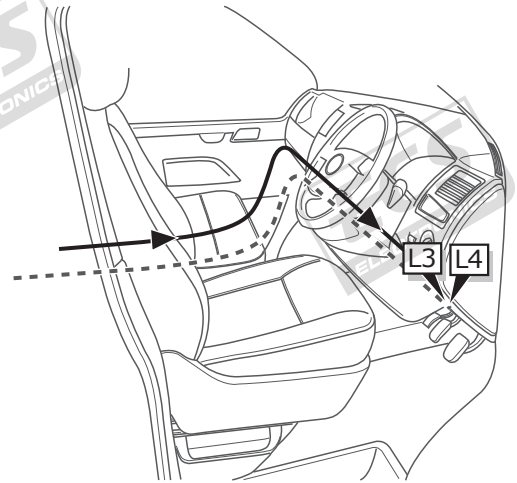
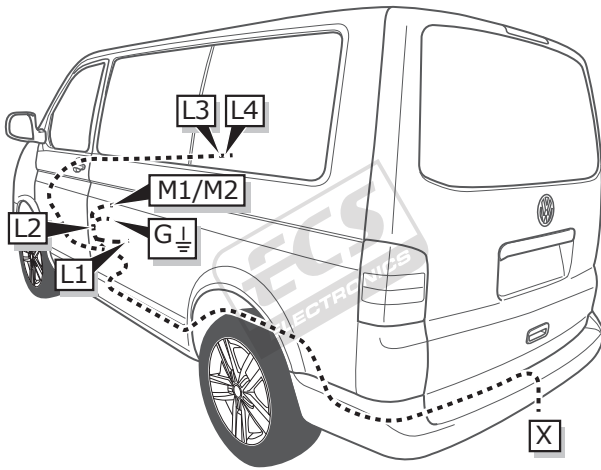
**MONDAY TO FRIDAY**  
08.00 - 11.00 am  
12.00 - 05.00 pm  
[t.skinner@ecs-electronics.com](mailto:t.skinner@ecs-electronics.com)  
[www.ecs-electronicsuk.co.uk](http://www.ecs-electronicsuk.co.uk)

# Part list

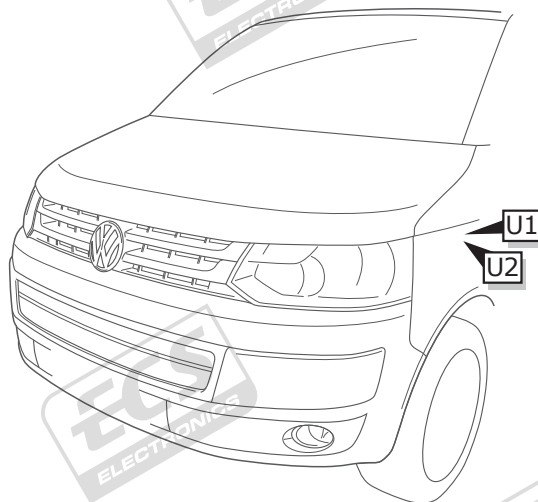


\* Reverse signal preparation  
 → **Pag. 22**

**ROUTING**

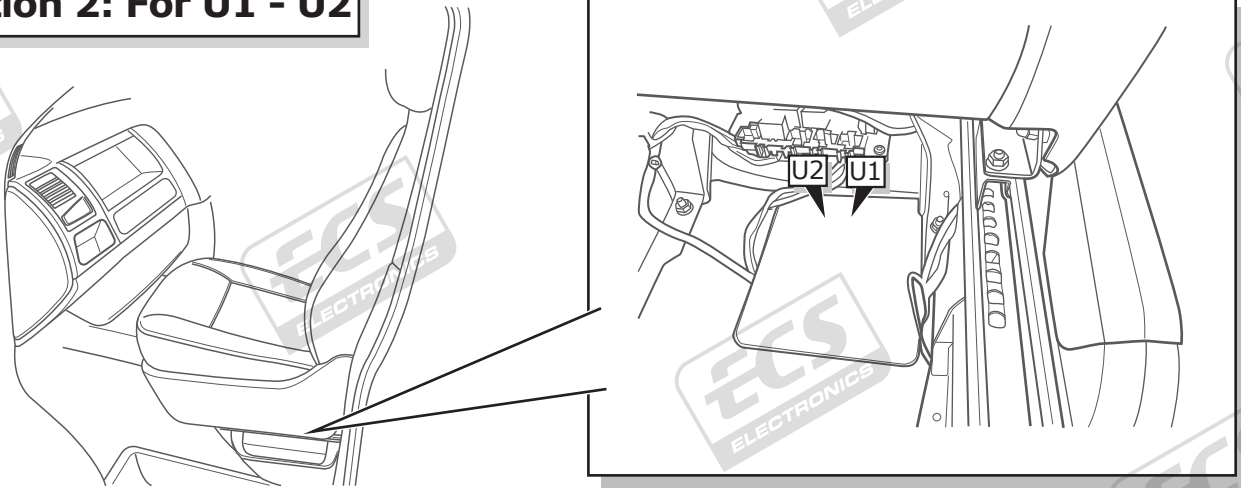


**Option 1: For U1 - U2**



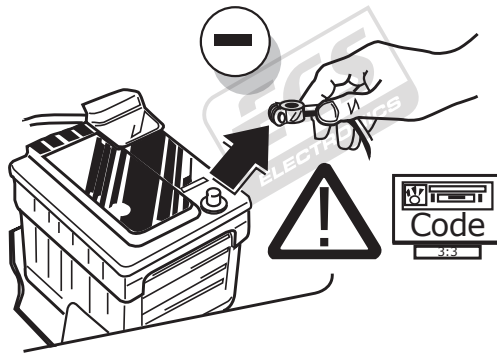
**ROUTING**

**Option 2: For U1 - U2**

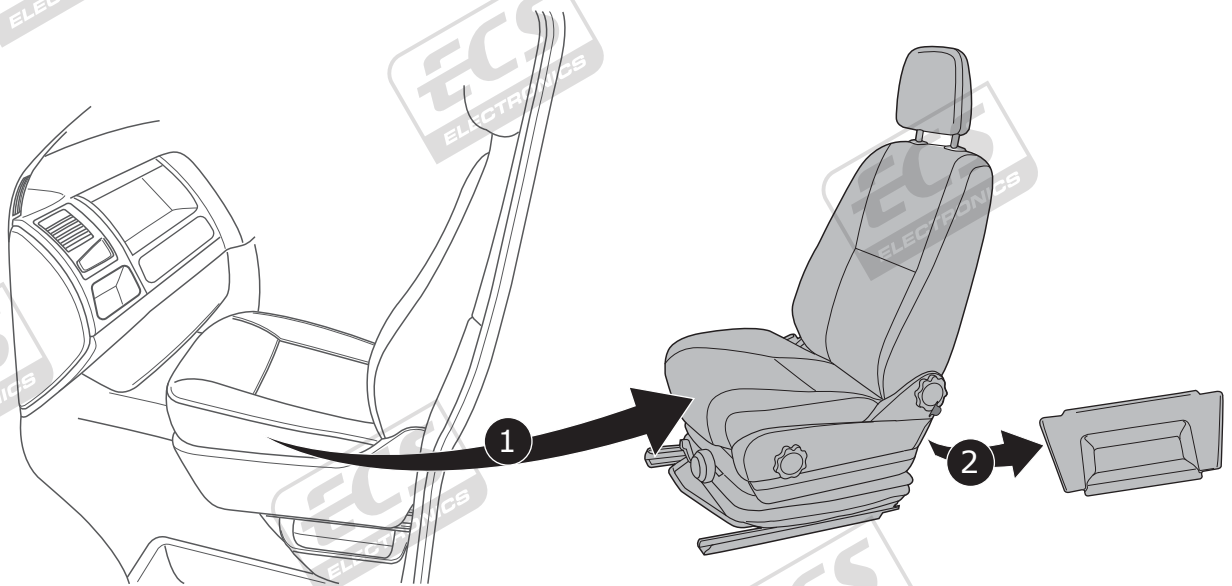


**All Models**

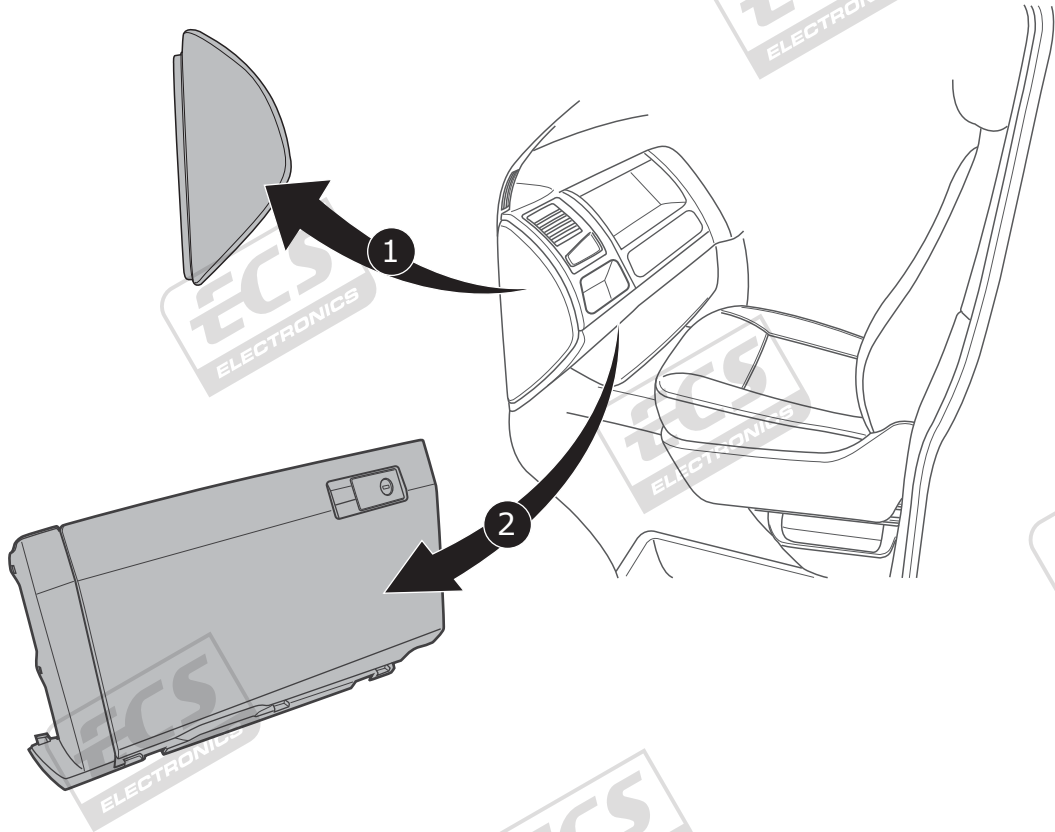
1



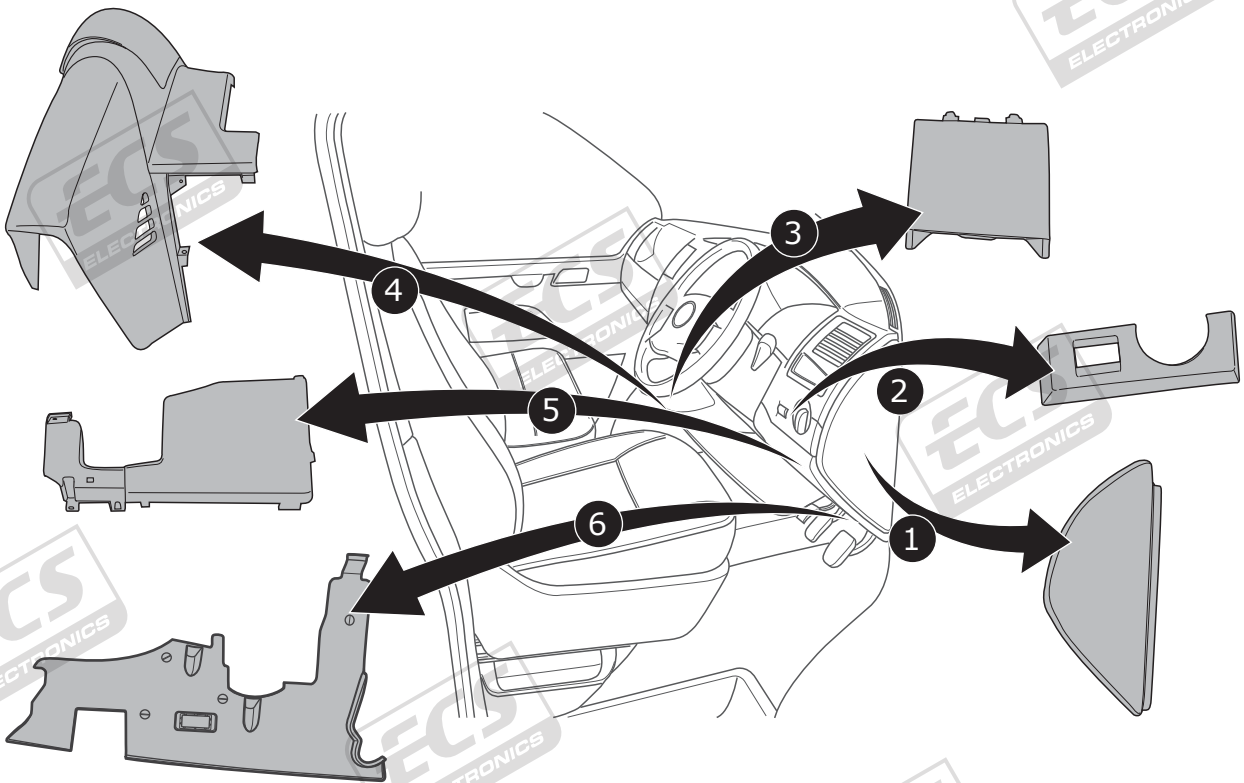
2



3

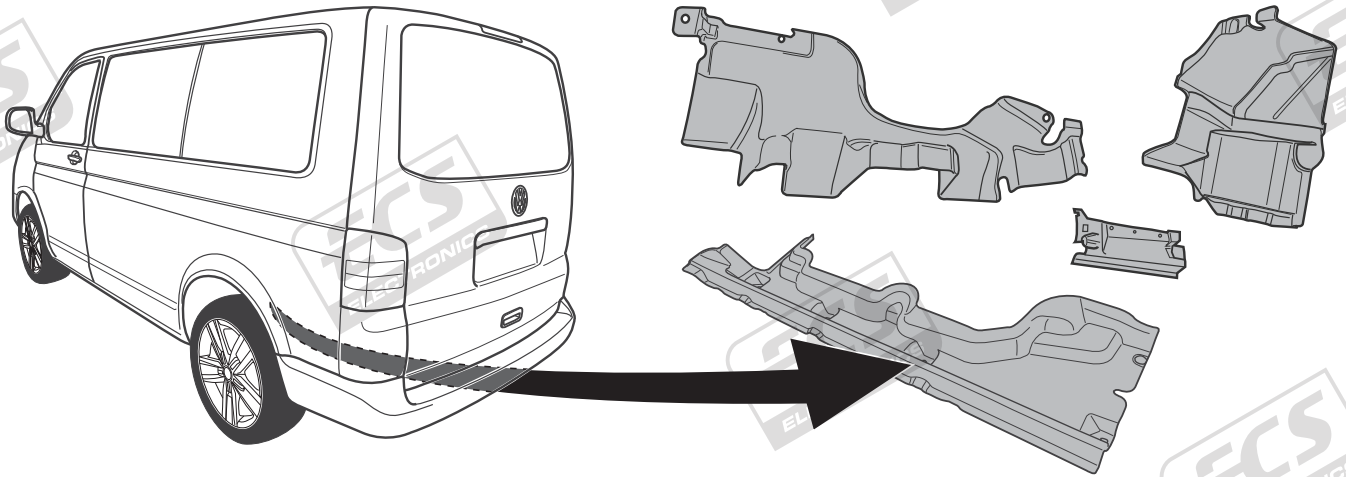


4

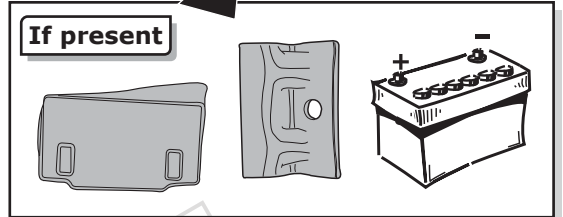
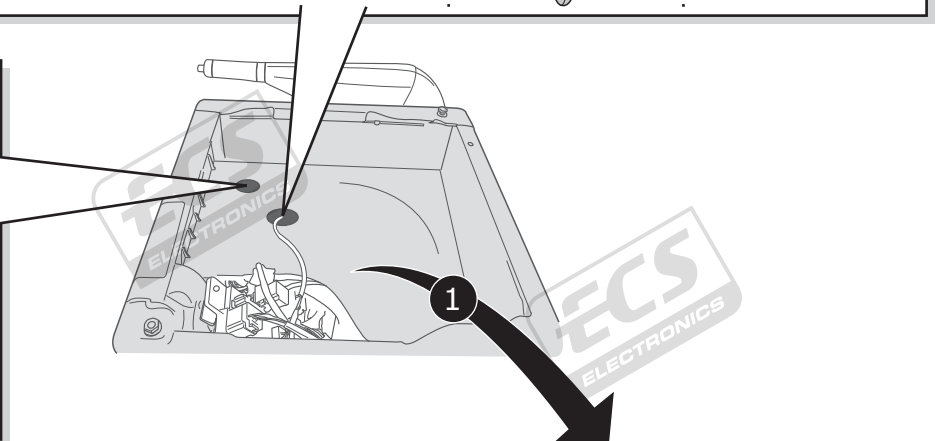
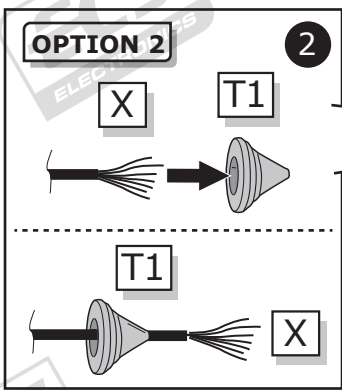
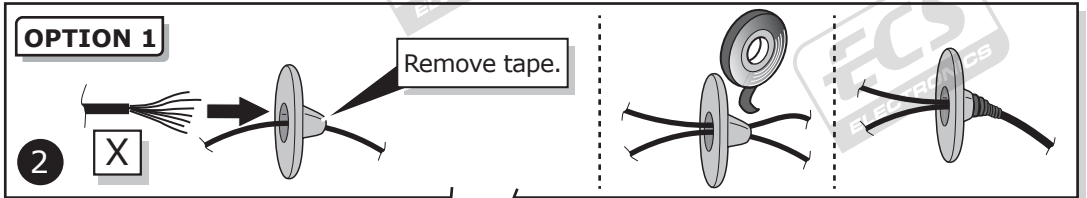
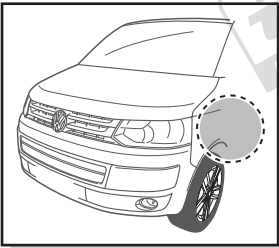




5



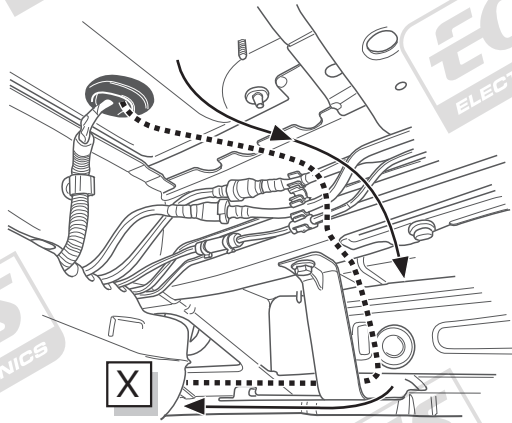
6



7

T5 & T5 Pickup

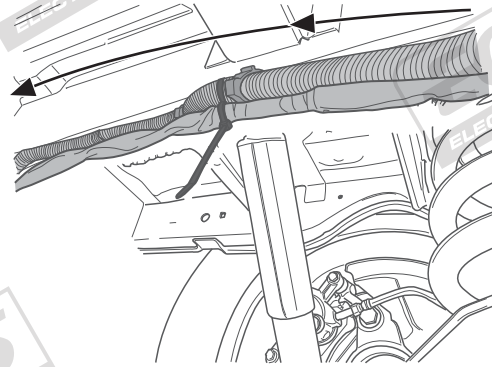
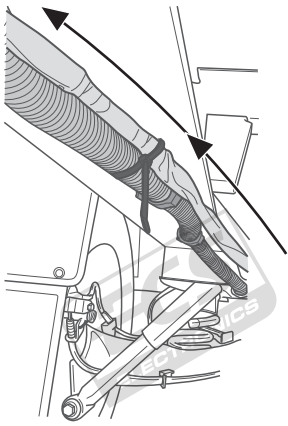
T6 & T6 Pickup



8

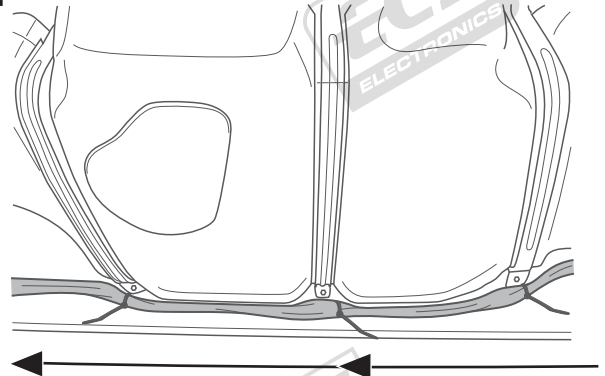
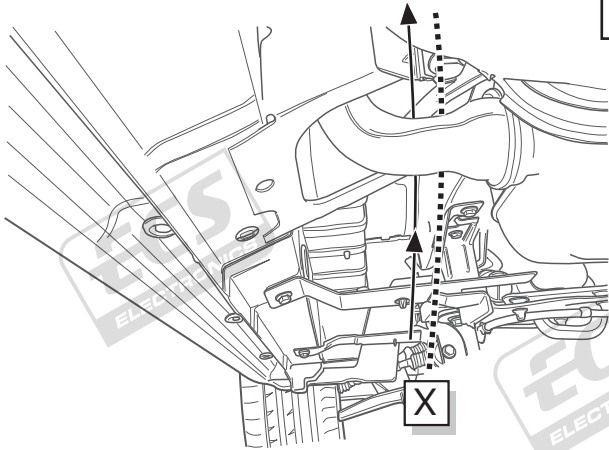
T5 Pickup

T6 Pickup



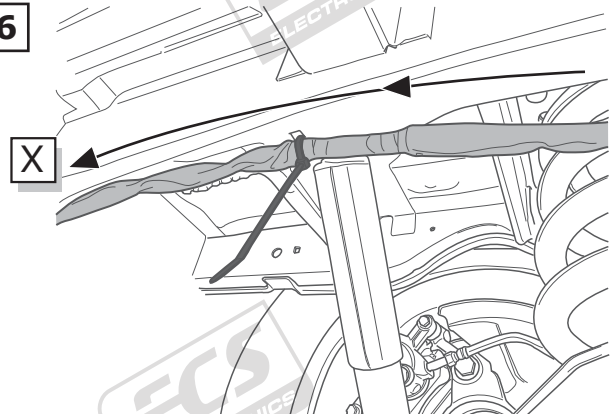
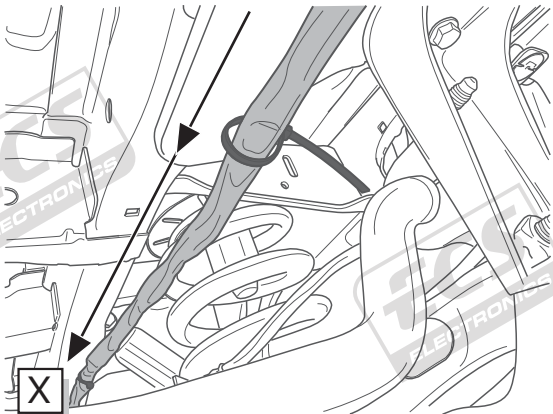
9

T5/ T6



10

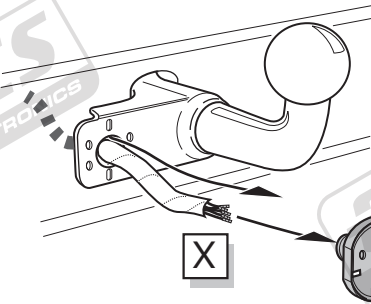
T5/ T6



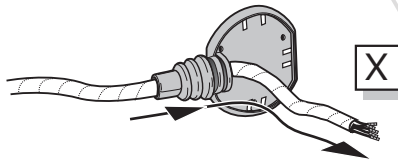
All models

A

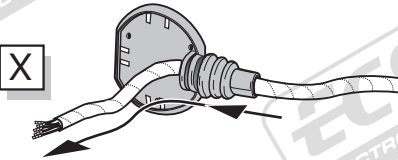
Option 1



Option 2



Option 3



INFO

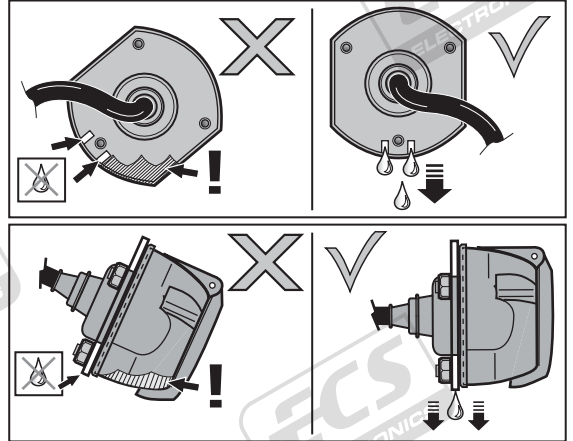
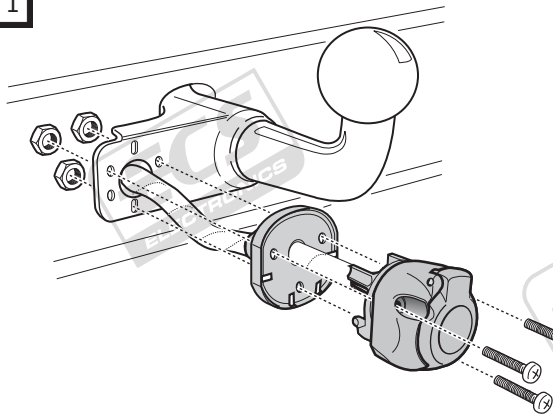
SOCKET CONNECTION



Pag. 21

B

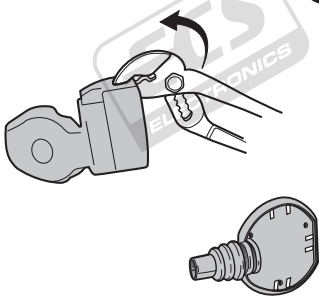
Option 1



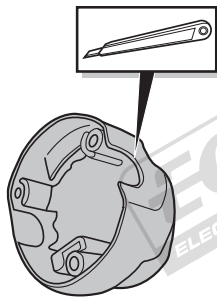
C

Option 2

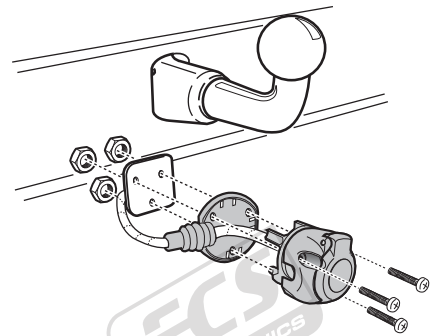
1



2



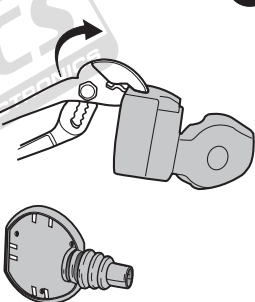
3



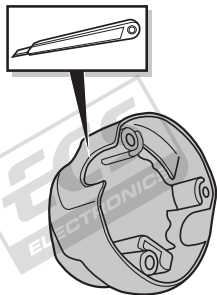
D

Option 3

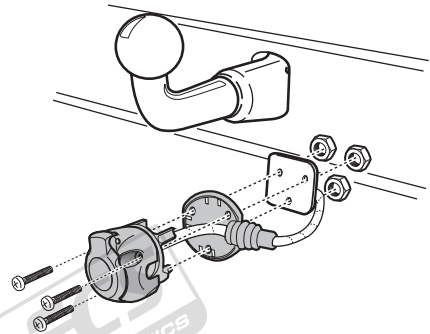
1



2

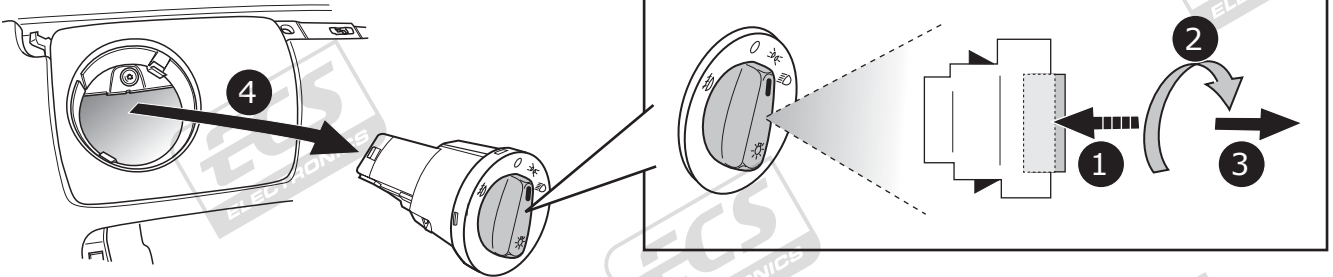
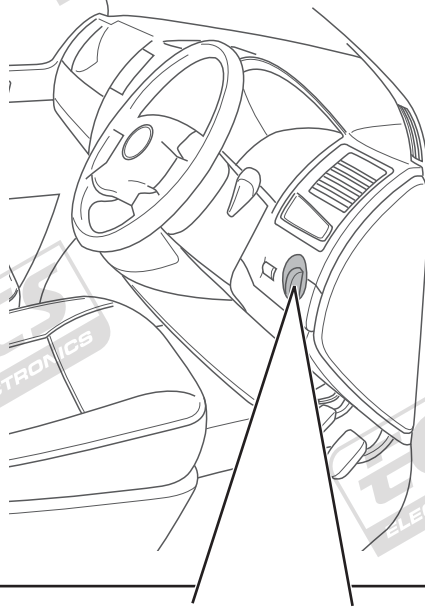


3



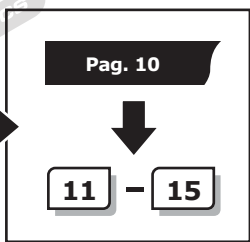
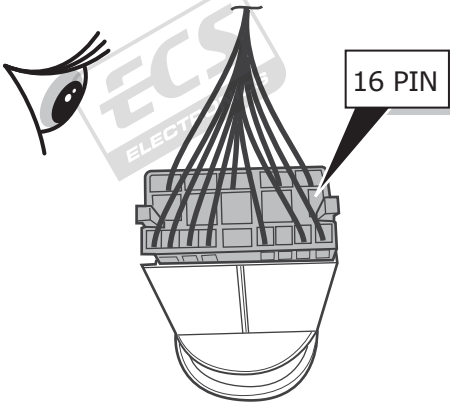


INFO



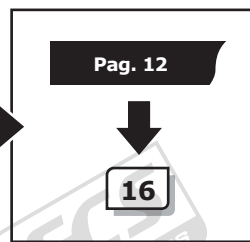
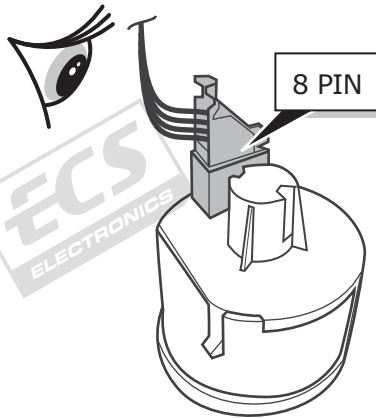
Option 1

T5 & T5 Pickup

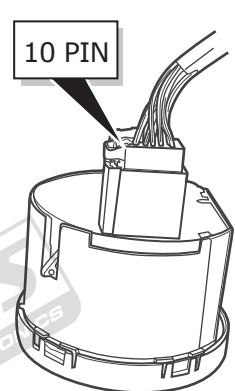


Option 2 CANBUS

T5 & T5 Pickup



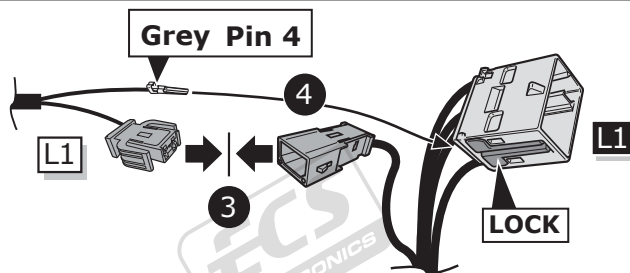
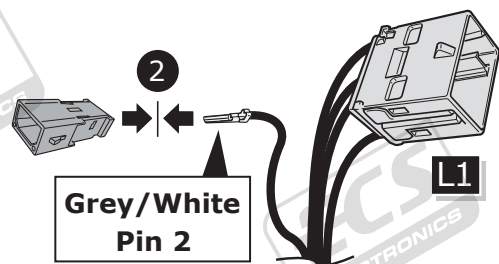
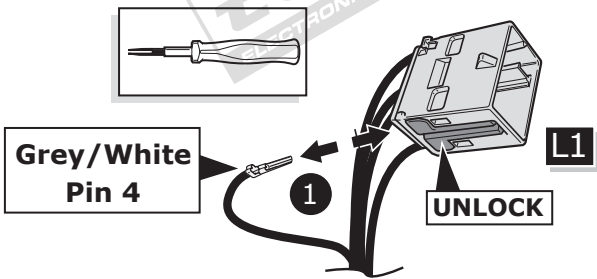
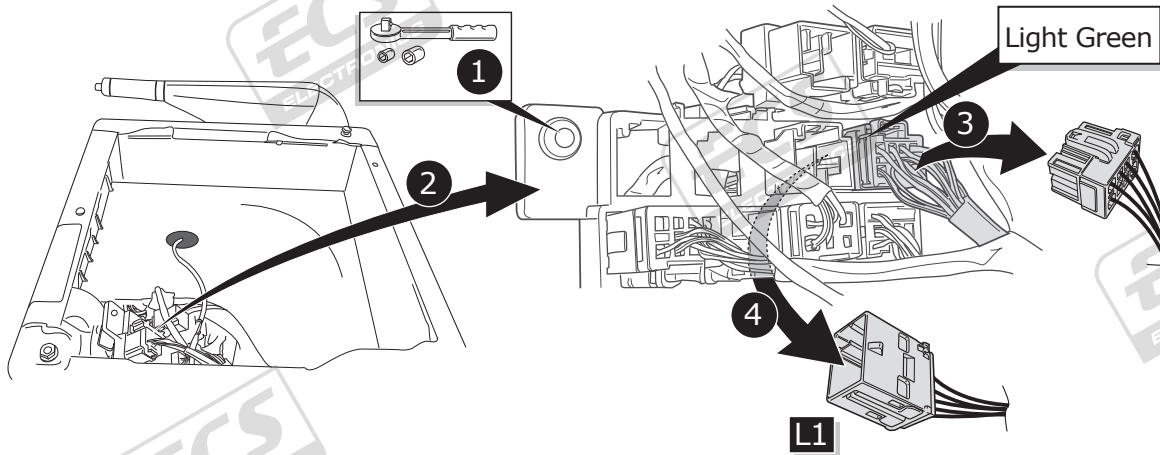
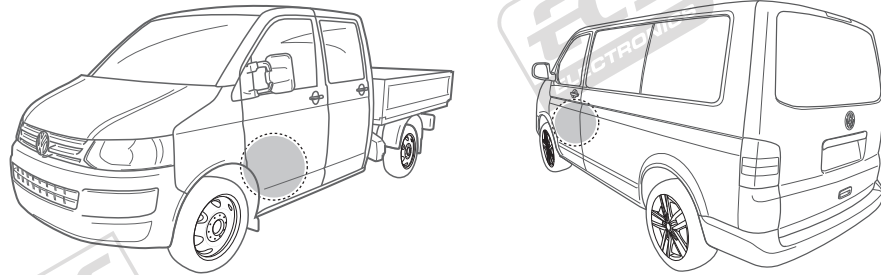
T6 & T6 Pickup



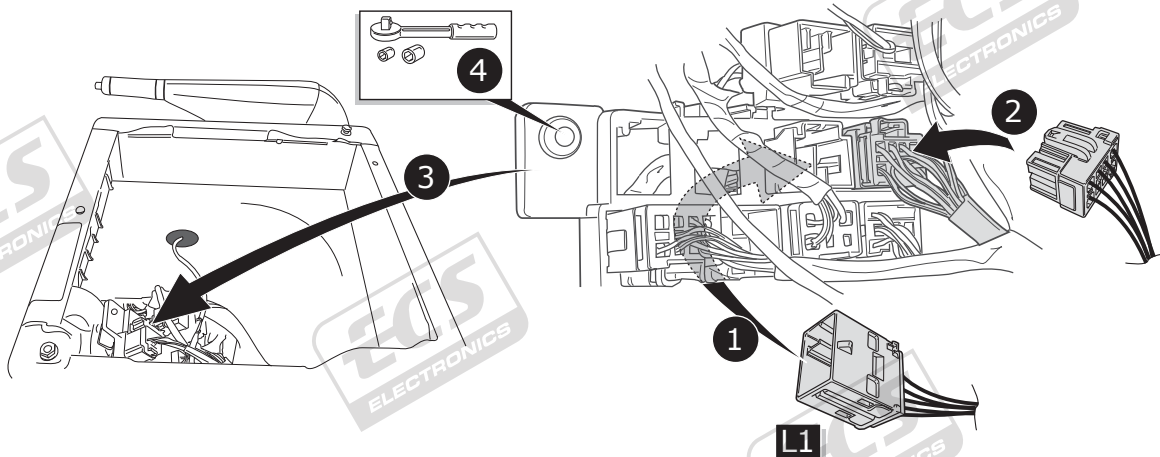
OPTION 1: fog lamp connection by rearlight

11

Option 1

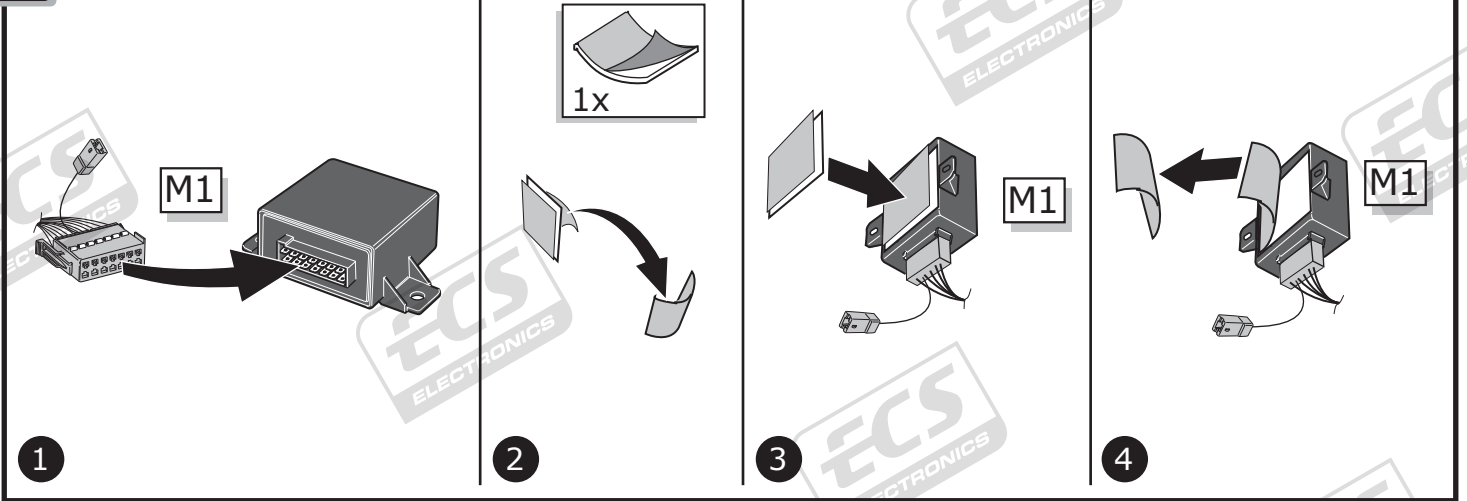


12

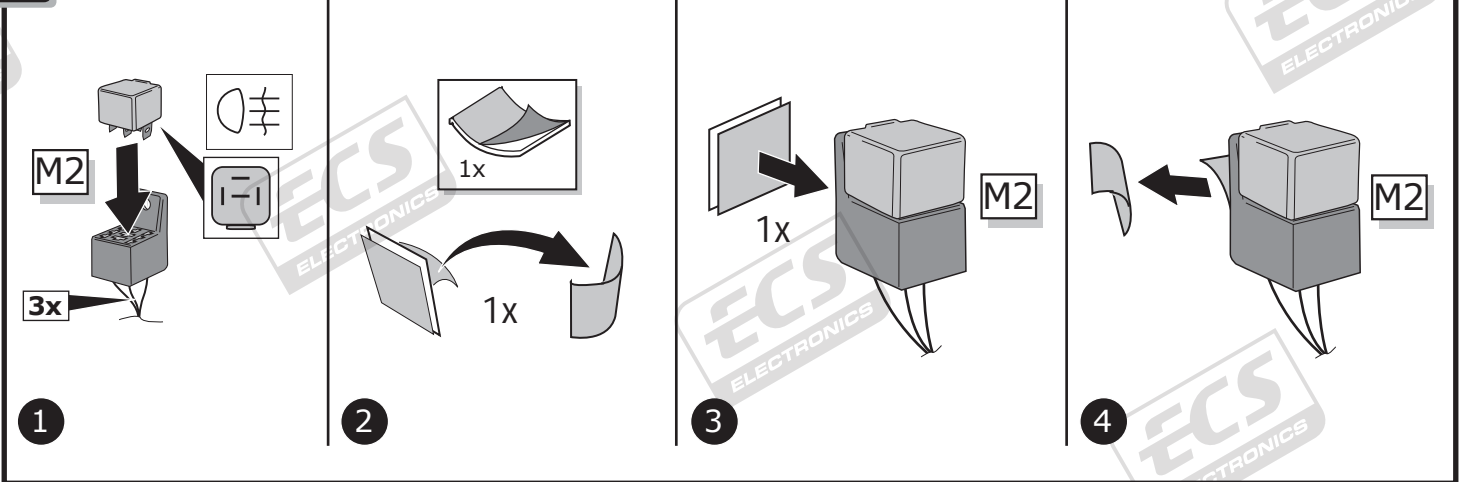


OPTION 1: fog lamp connection by rearlight

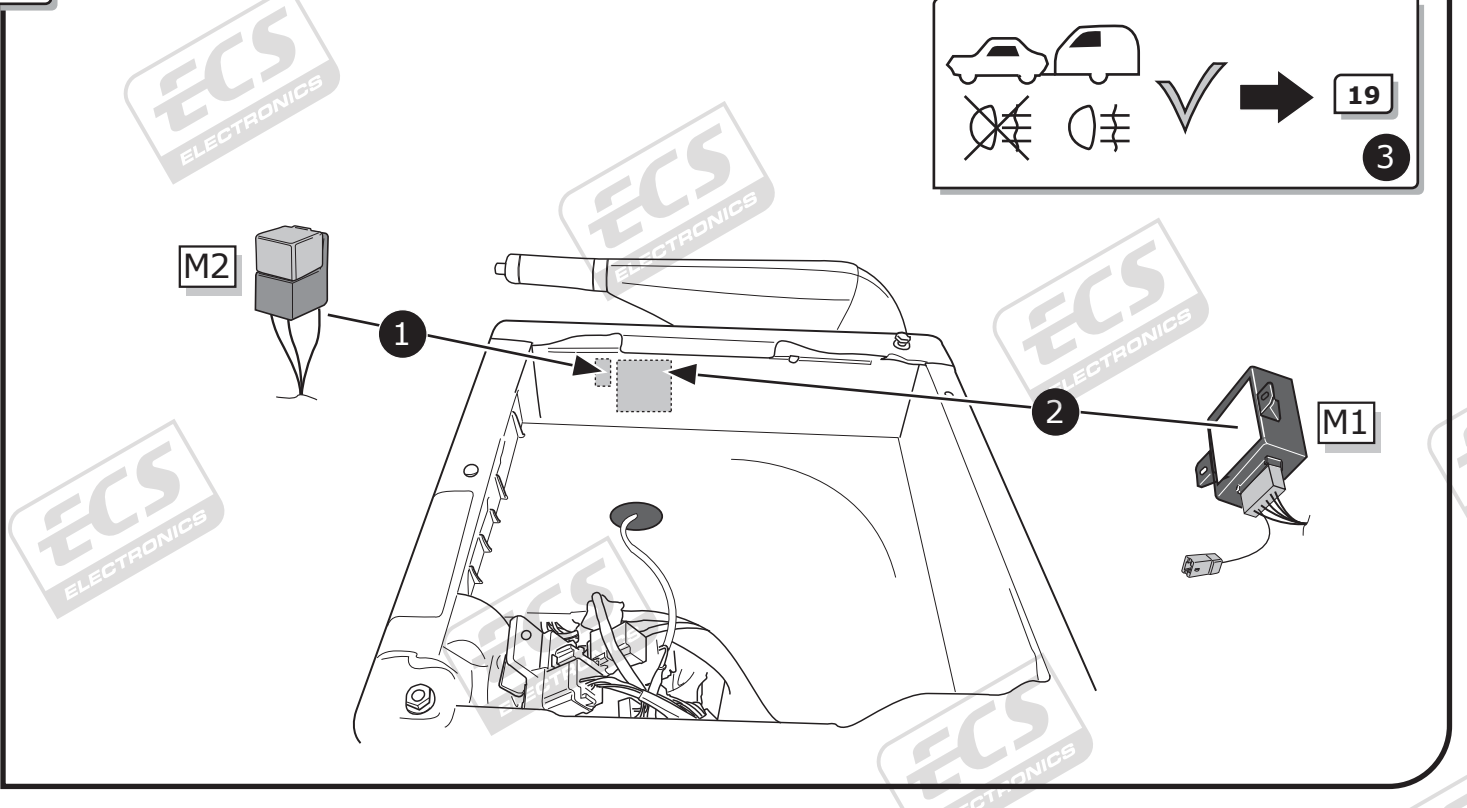
13



14



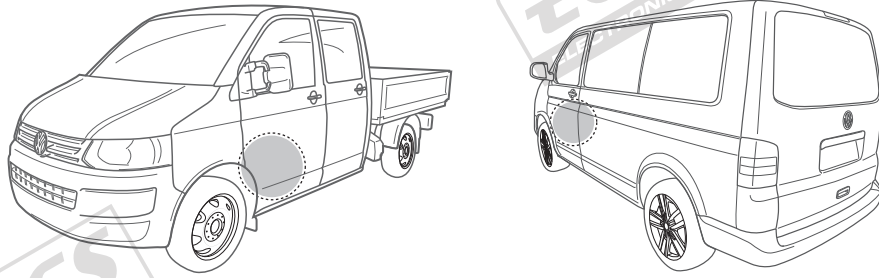
15



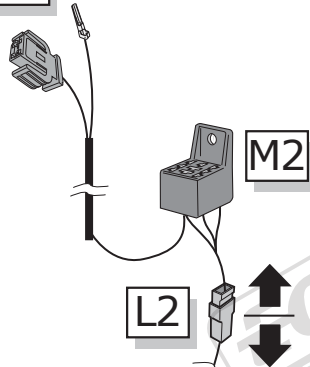
OPTION 2: fog lamp connection by CAN-bus

16

Option 2

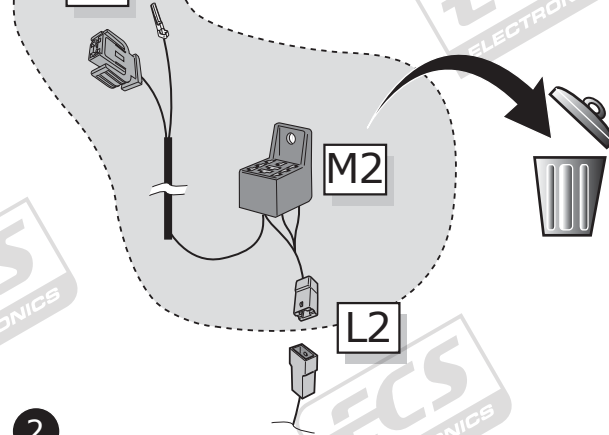


L1



1

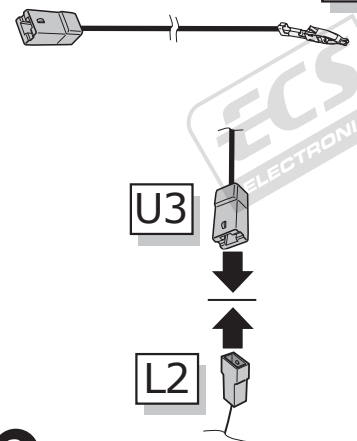
L1



2

U3

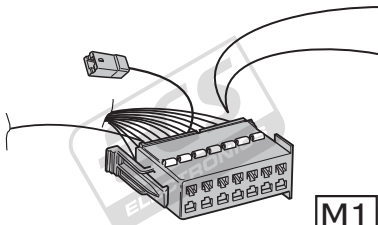
U4



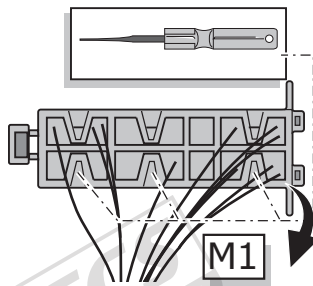
3

17

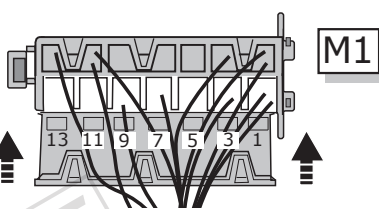
1



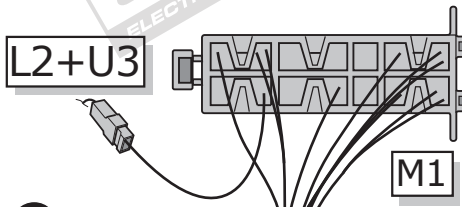
2



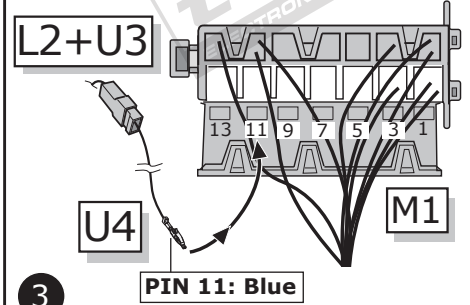
4



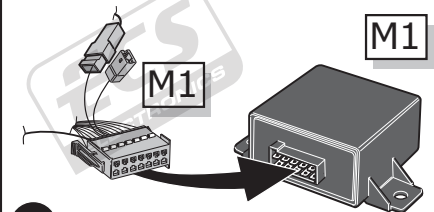
5



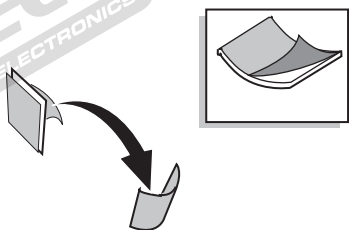
3



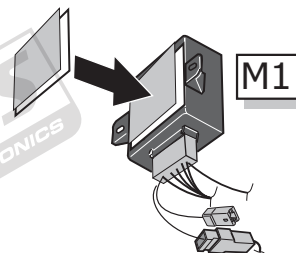
6



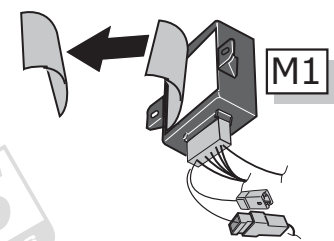
7



8

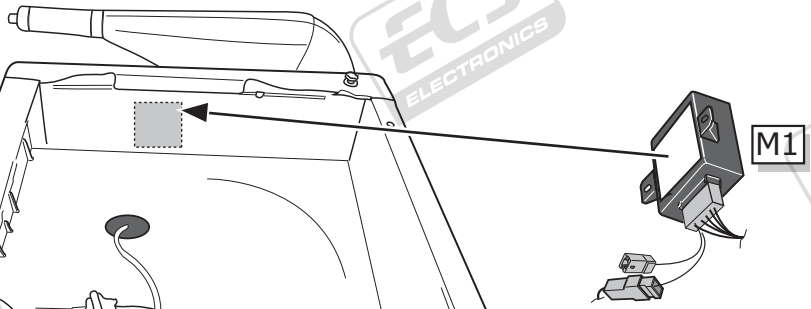


9



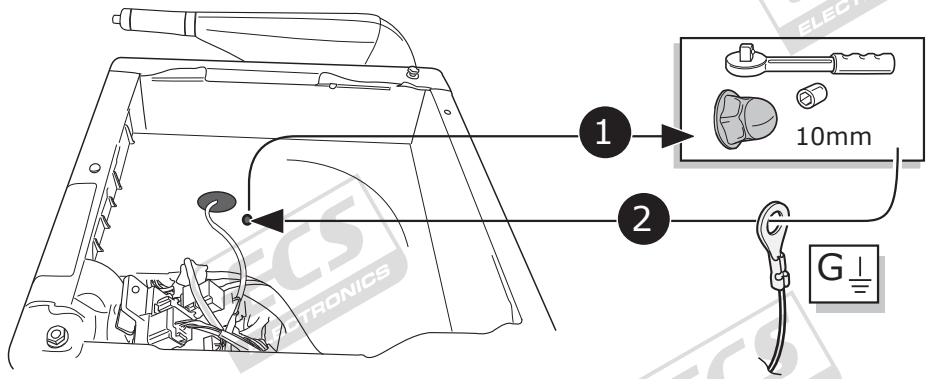
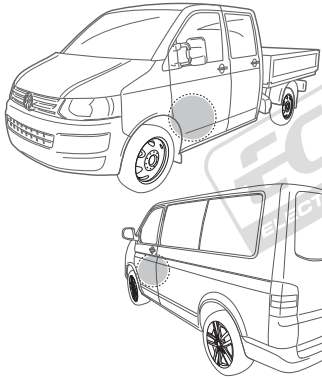
OPTION 2: fog lamp connection by CAN-bus

18

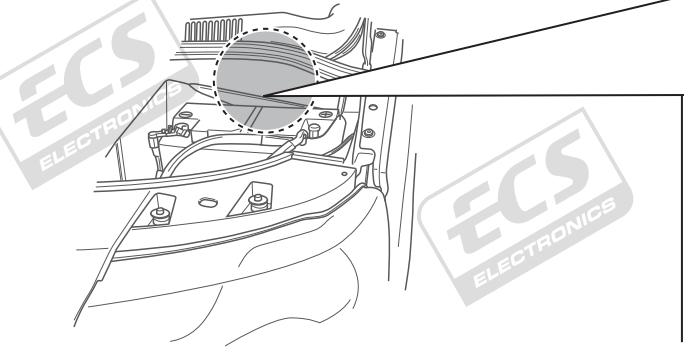
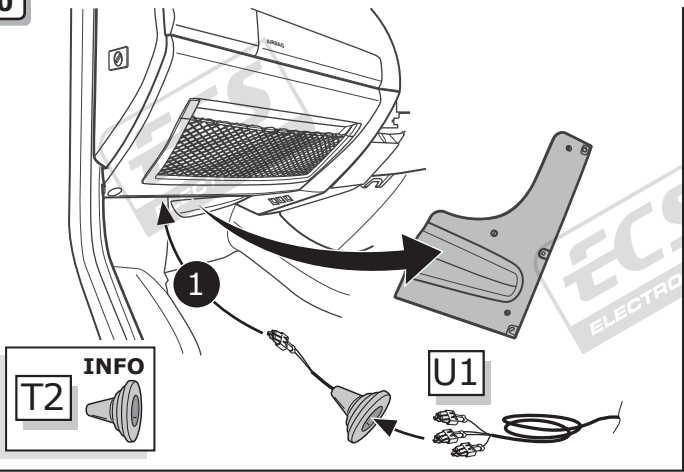


All models

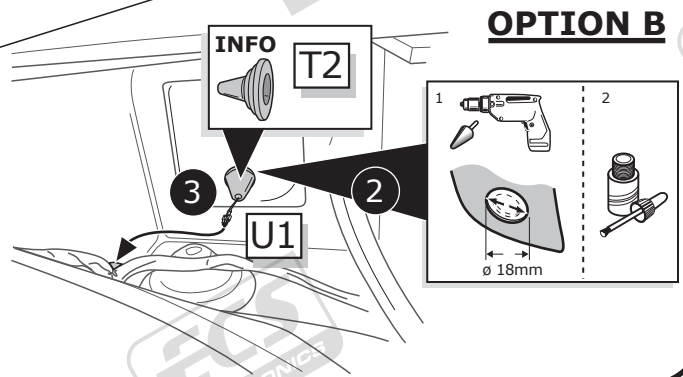
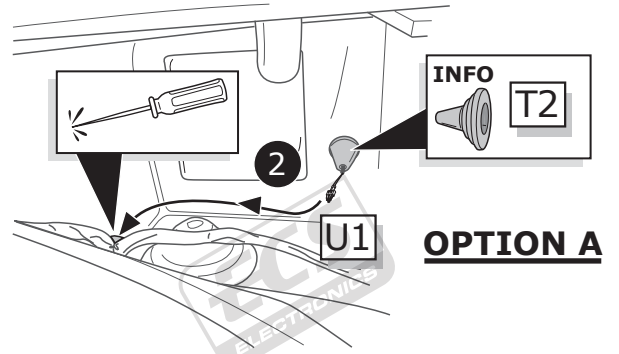
19



20



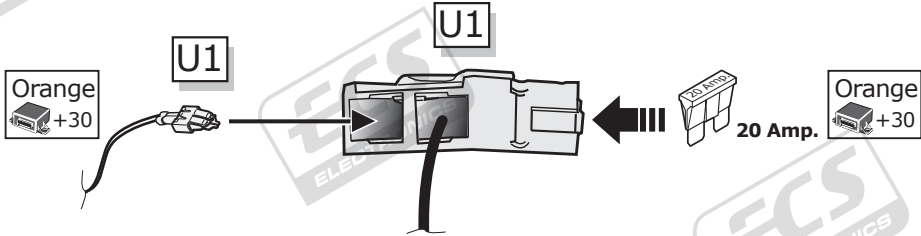
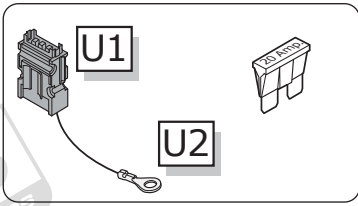
Option 1: For U1 - U2





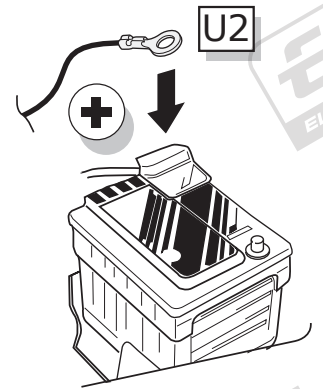
All models

21



1

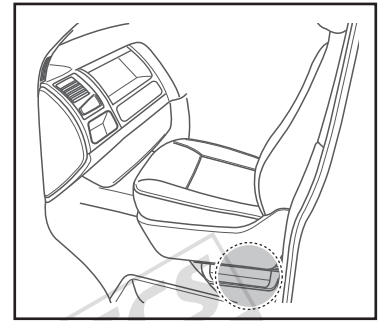
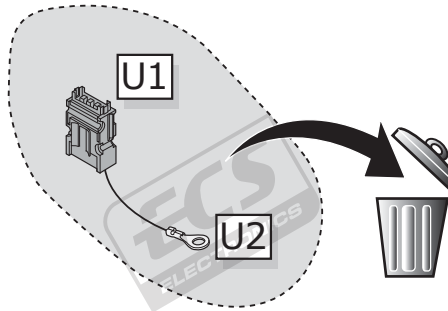
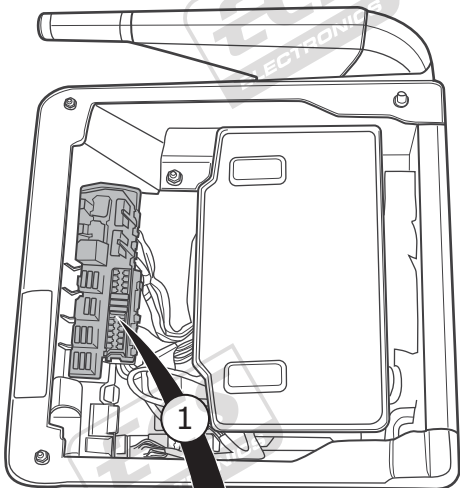
2



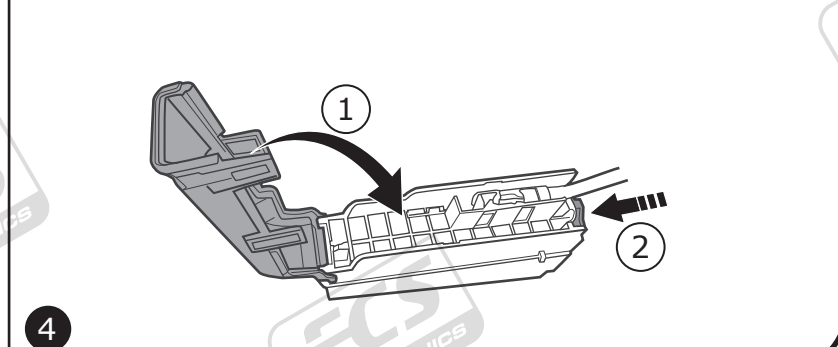
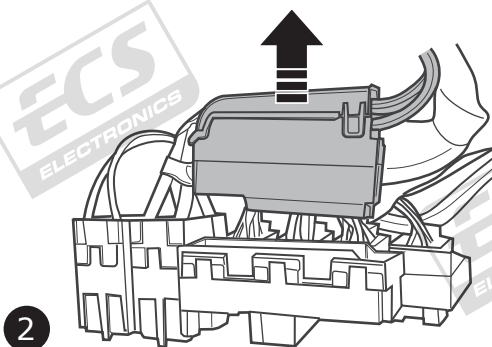
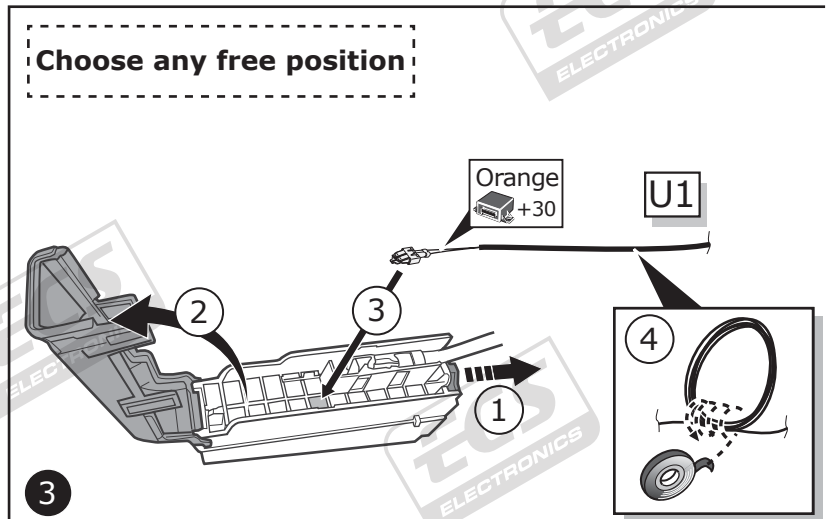
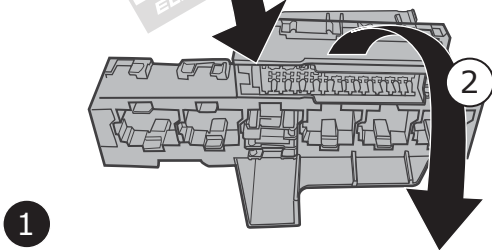
T5/ T5 Pickup

22

Option 2: For U1 - U2

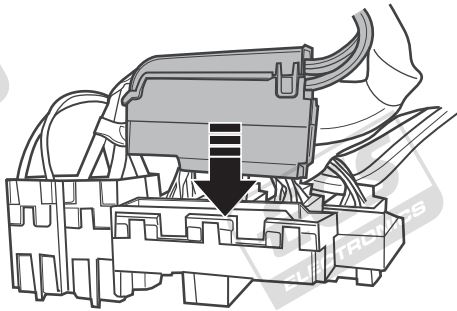


Choose any free position

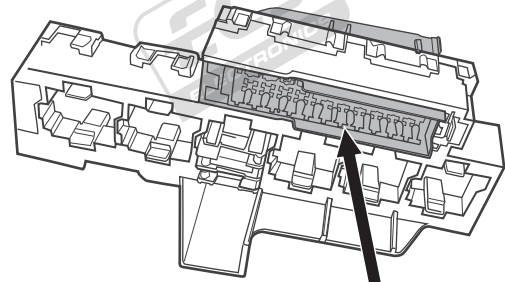


# T5/ T5 Pickup

23

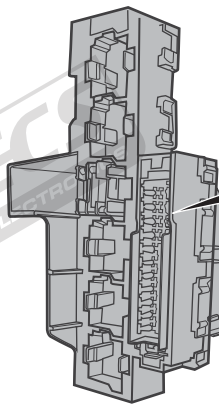


1

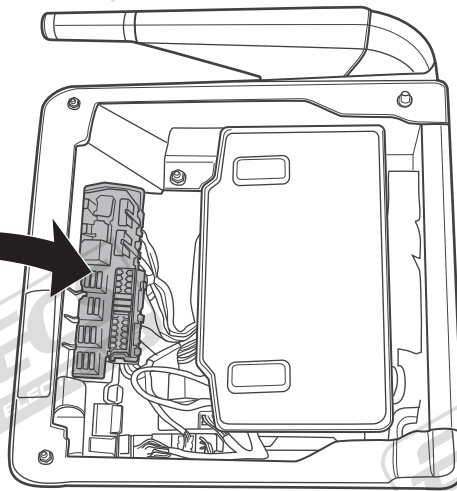


2

20 Amp.  
Orange  
+30

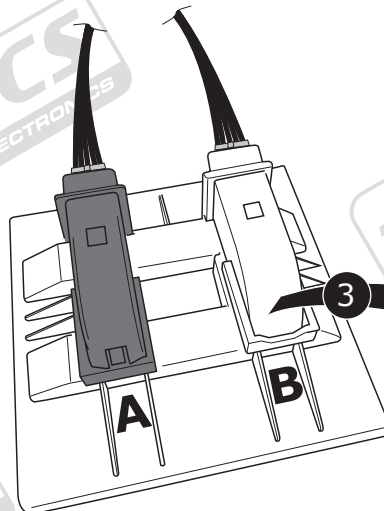
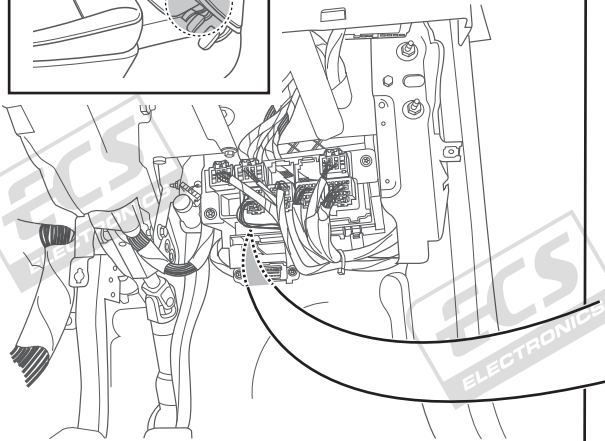
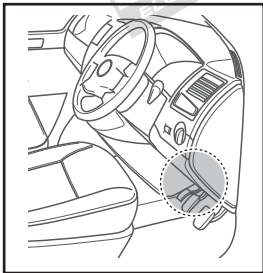


3



# All Models

24



3

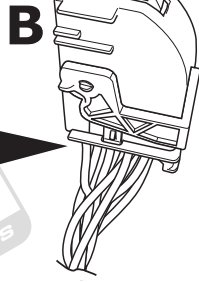
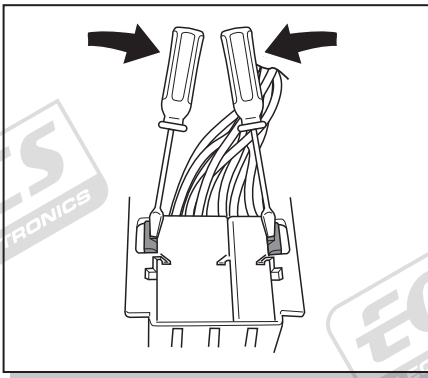
2

UNLOCK

1

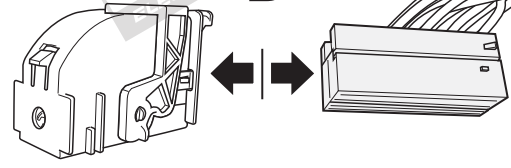
All Models

25

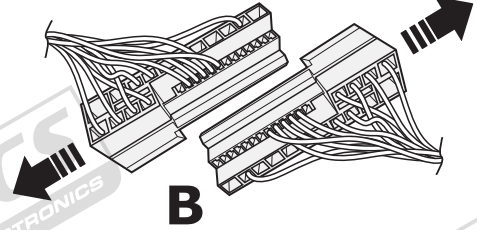


1

2



3



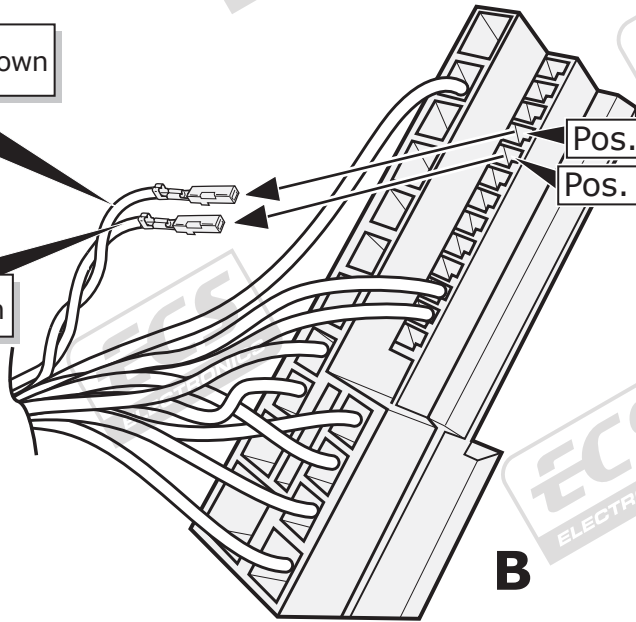
26

Can-bus  
Datawire

Pos. 21 Orange/Brown

Pos. 20 Orange/Green

Pos. 21  
Pos. 20



27

Pos. 2  
Orange/Brown

Pos. 3  
Orange/Green

LOCK

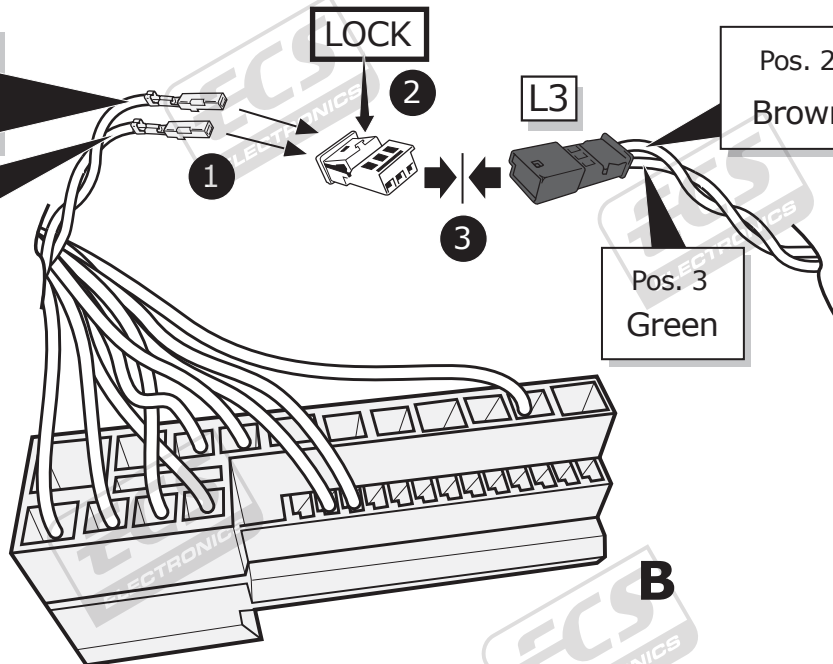
2

L3

Pos. 2  
Brown

3

Pos. 3  
Green



28

Can-bus  
Datawire

Pos. 21 Brown

Pos. 20 Green

L3

Pos. 21

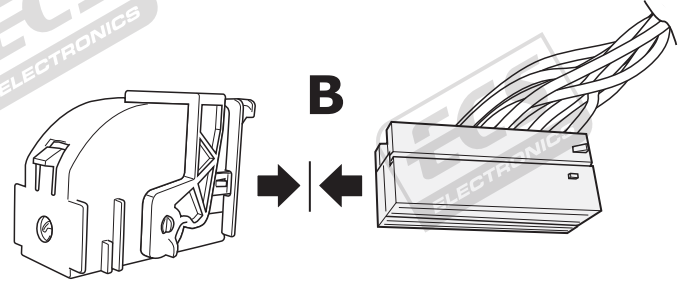
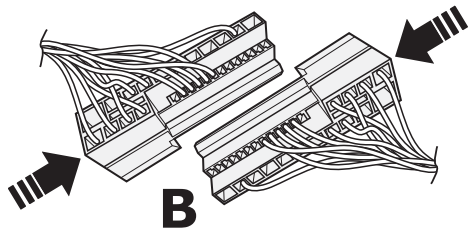
Pos. 20

B

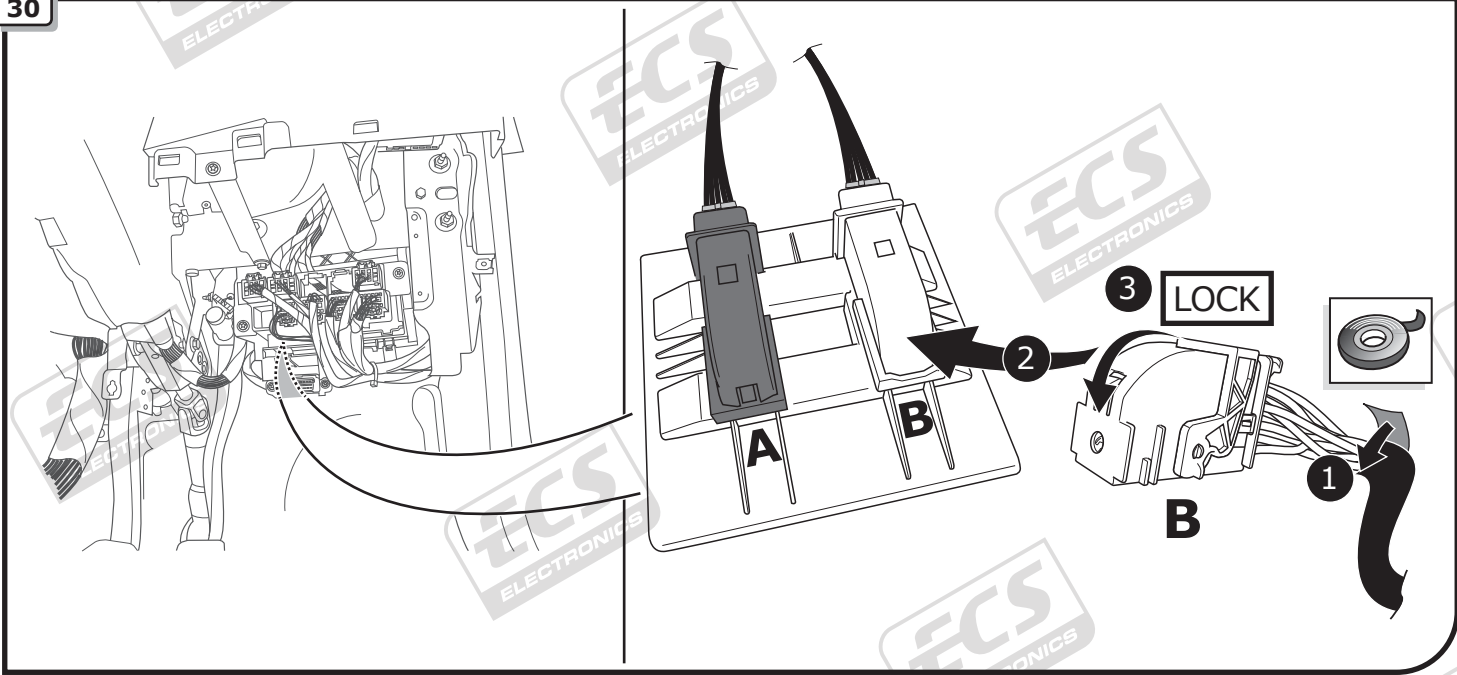
29

1

2

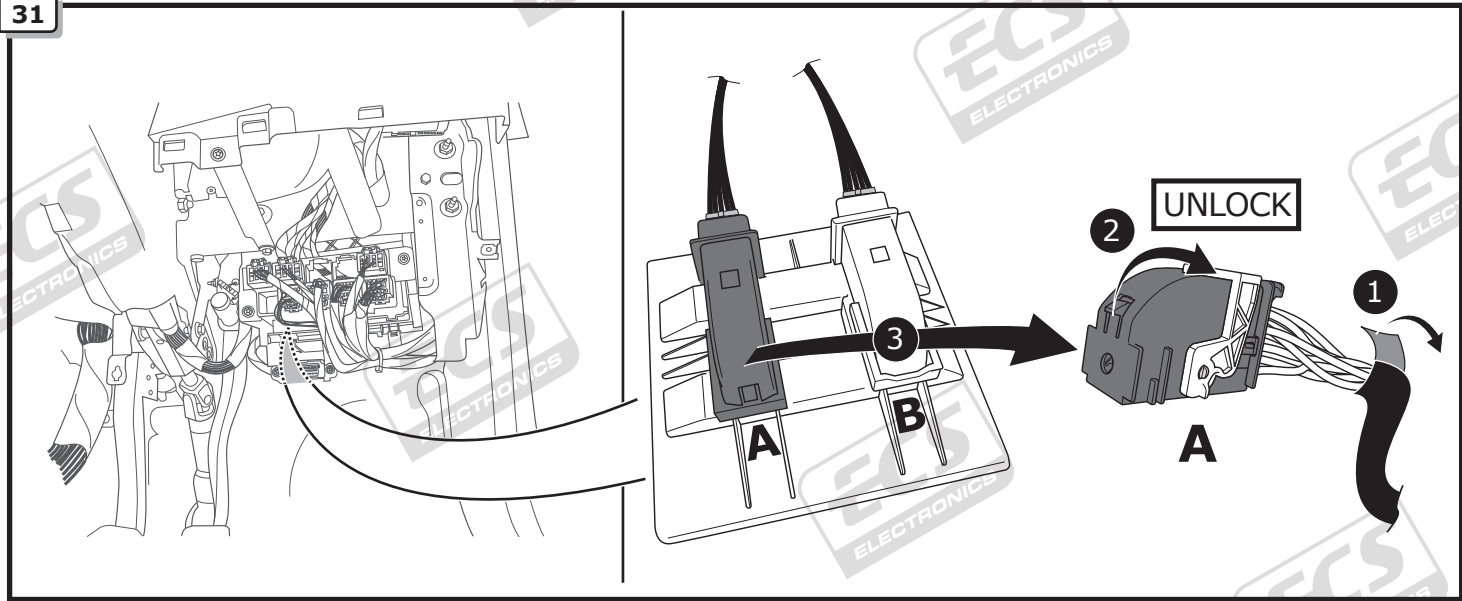


30

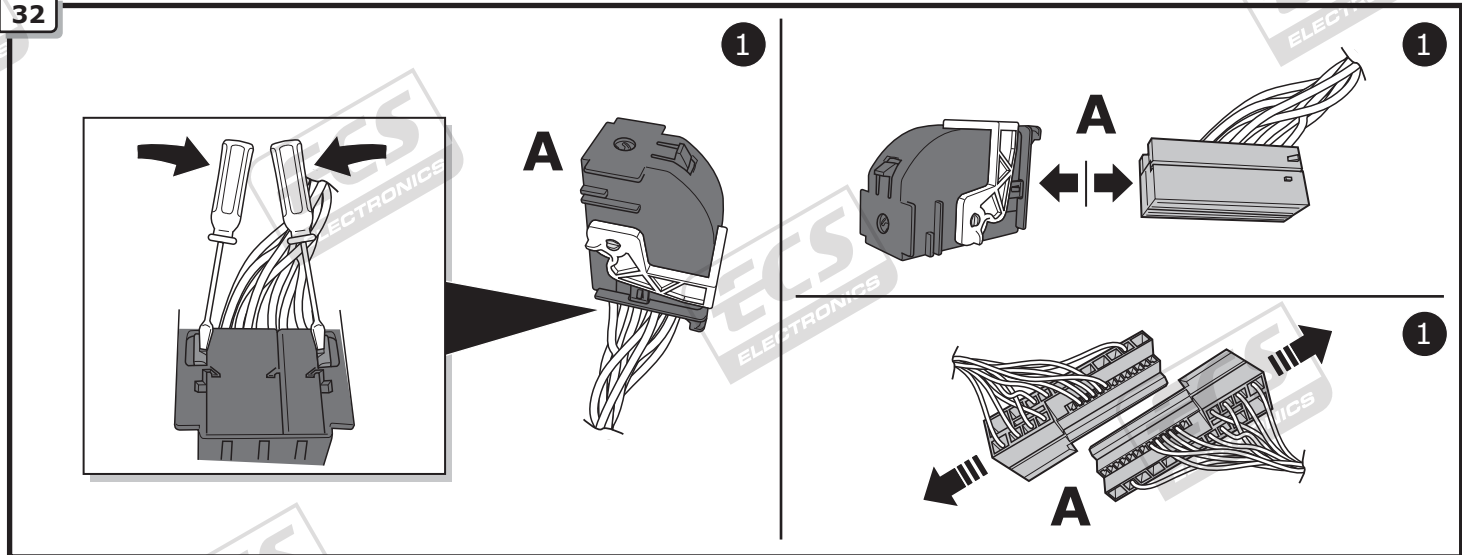




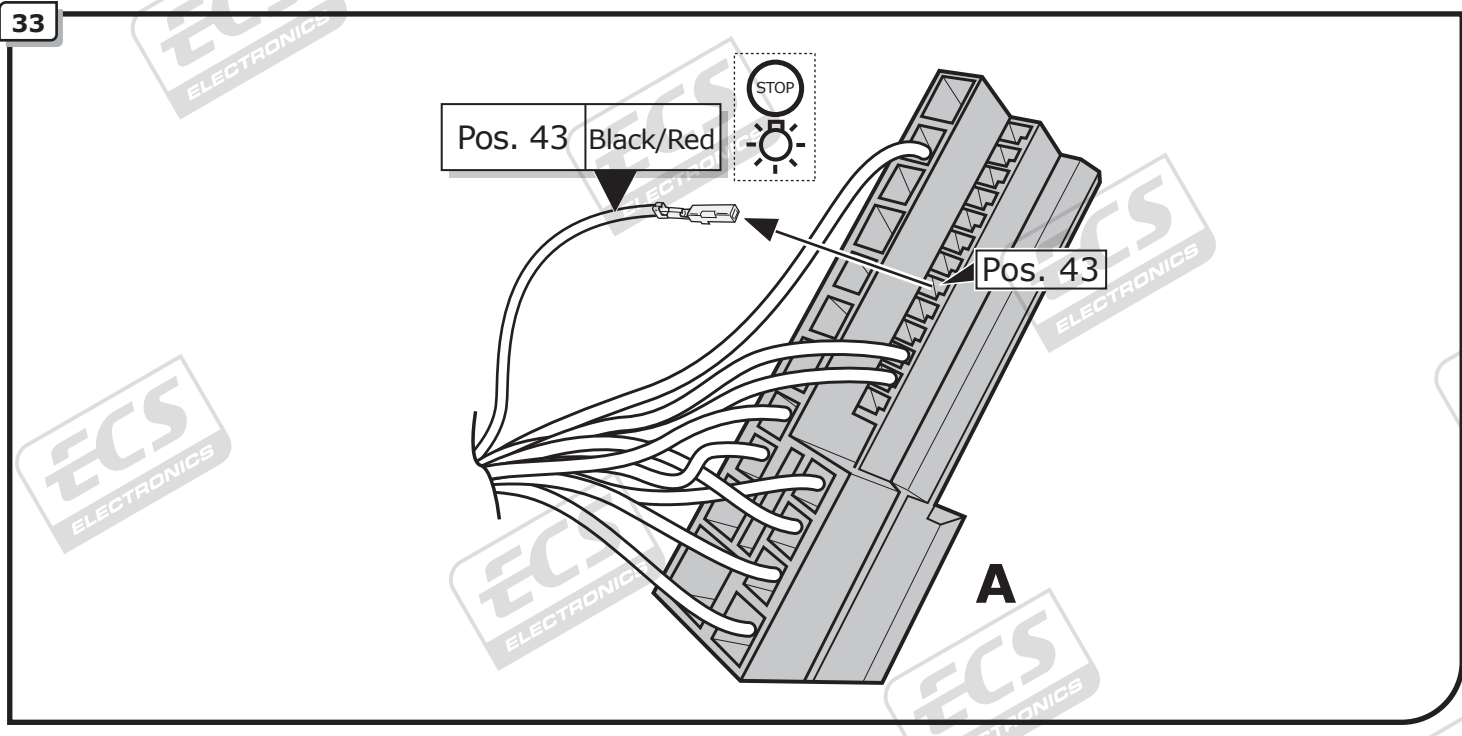
31



32

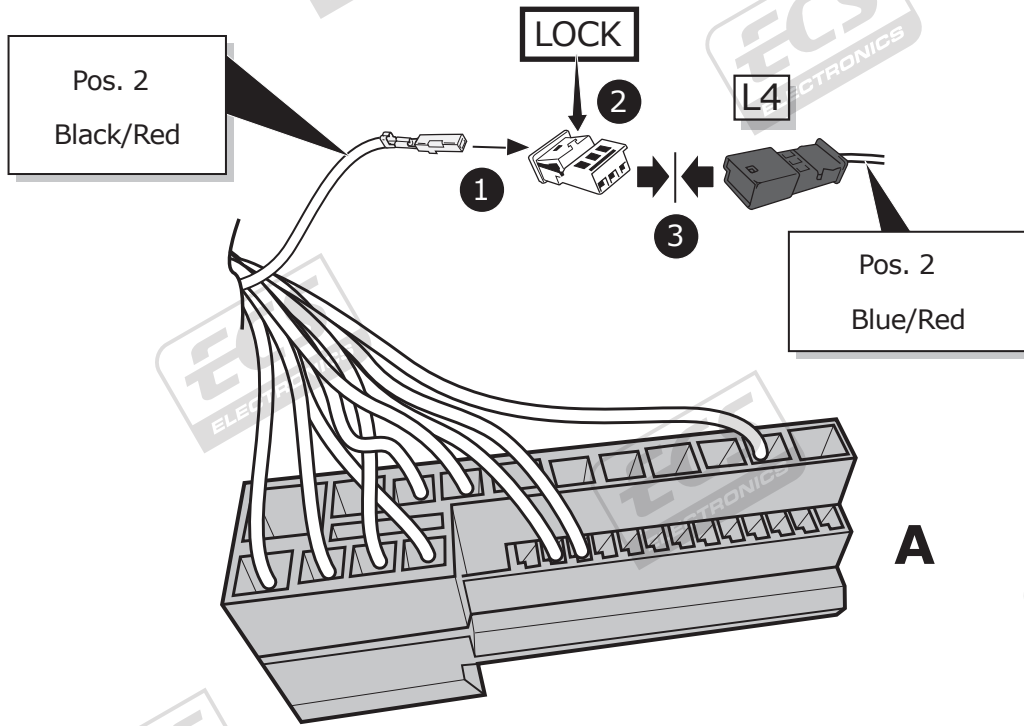


33

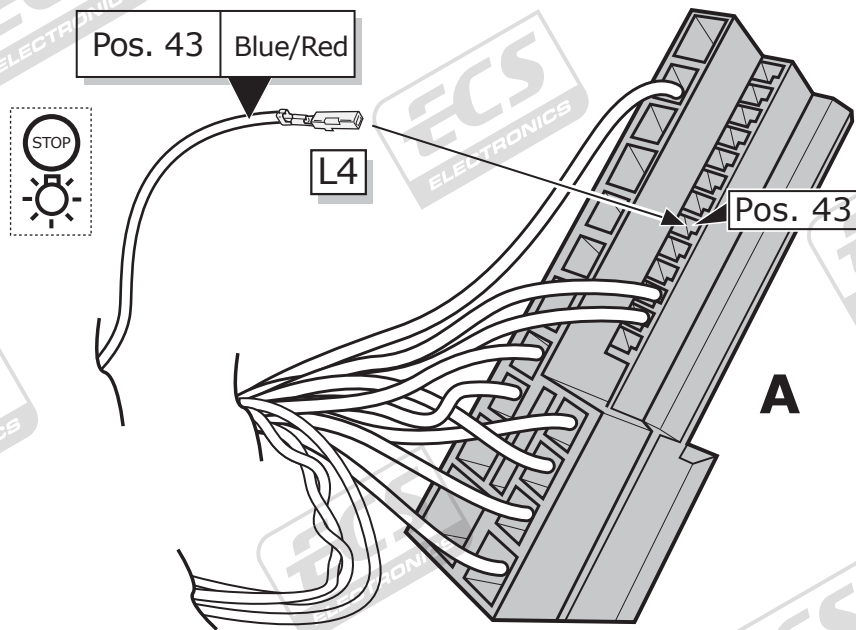




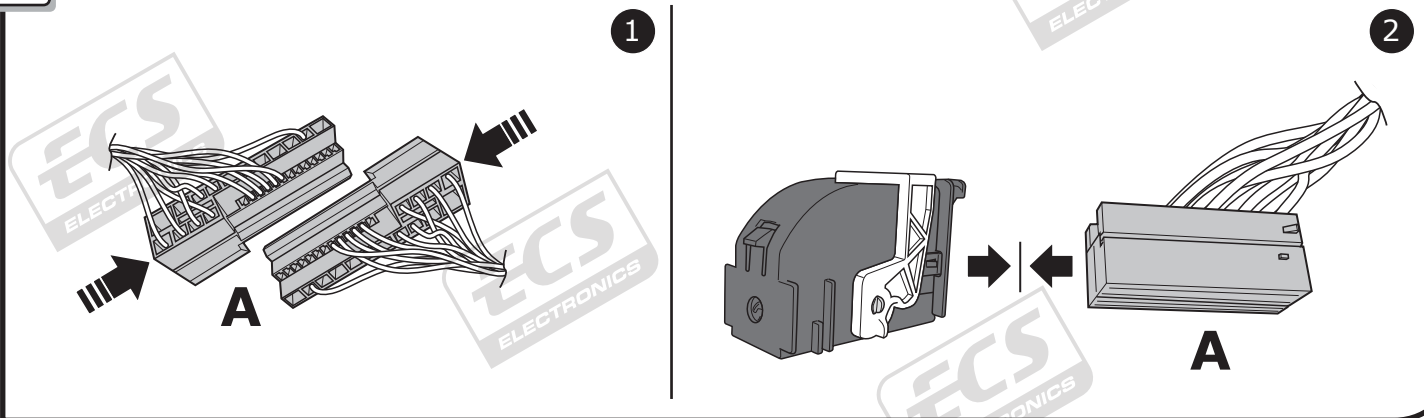
34



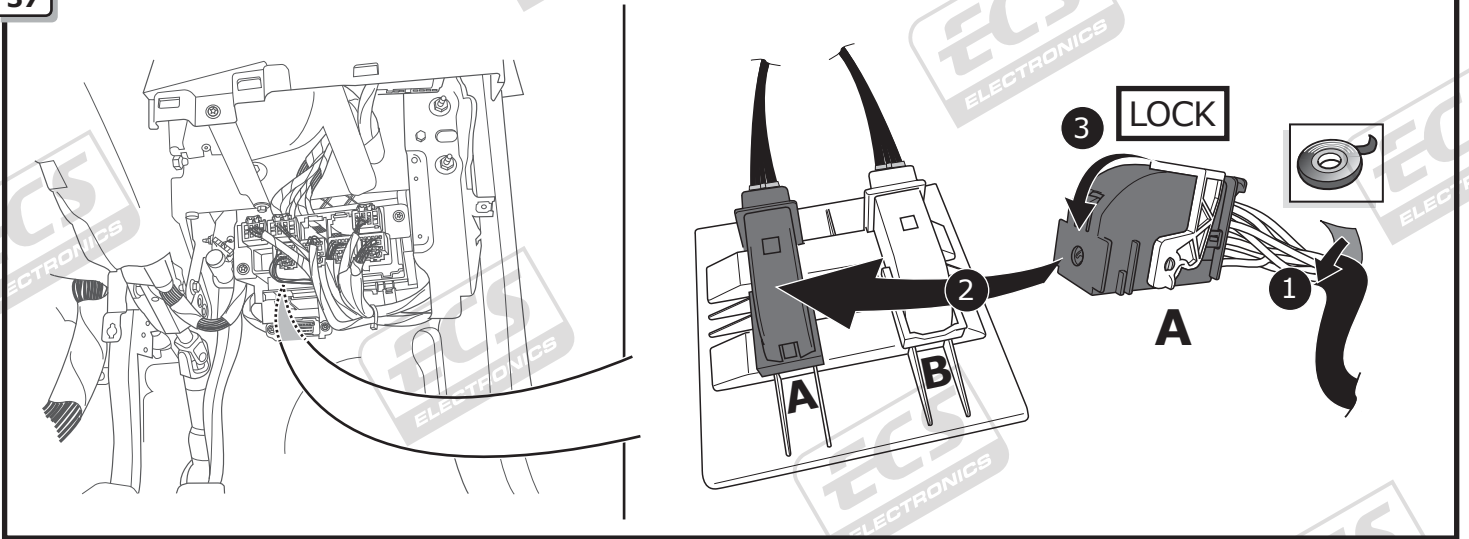
35



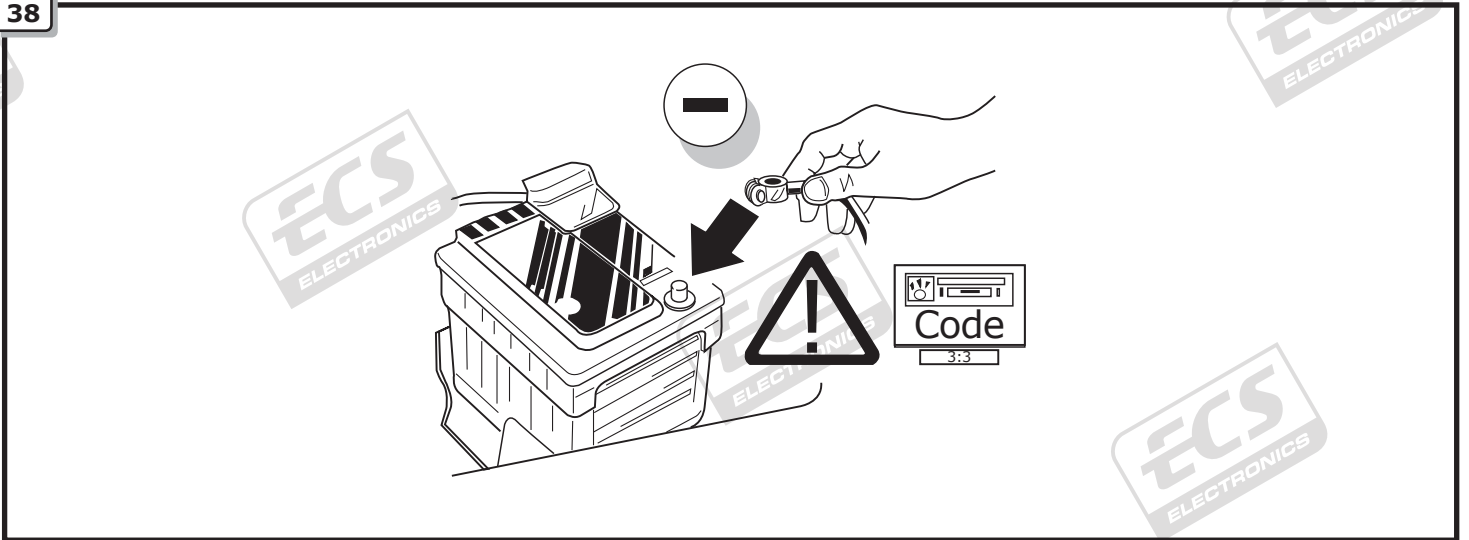
36



37



38



39

A VAG Service Tester must be used to code the vehicle's Gateway with the additional function for the towing hitch at the dealer.

40

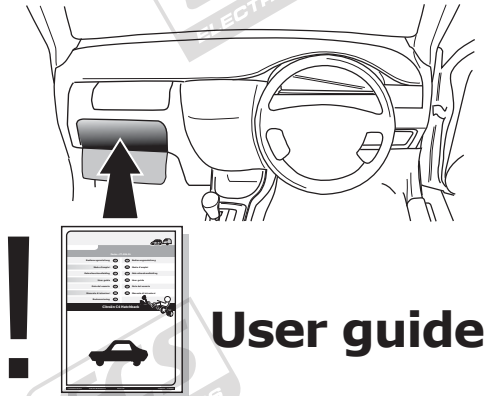


TEST ALL THE CIRCUITS WITH A TEST DEVICE WITH THE CORRECT POWER LOAD FOR EACH FUNCTION. A TEST DEVICE WITH LED'S CANNOT BE USED FOR THIS PURPOSE.

INFO

REINSTALL TRIM.

41



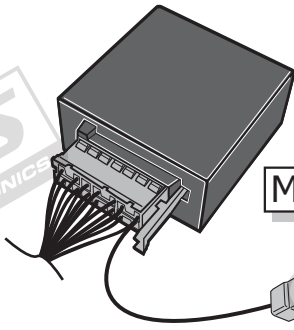
INFO

SOCKET CONNECTION

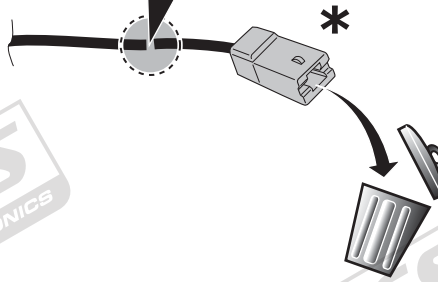
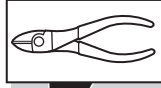
DIN/ISO 1724							
	1/L	2	3/31	4/R	5/58-R	6/54	7/58-L
Pmax	21W	21W		21W	42W	3x21W	42W
Colour	Black/White	Blue	Brown	Black/Green	Grey/Red	Black/Red	Grey/Black

# Reverse signal preparation

A



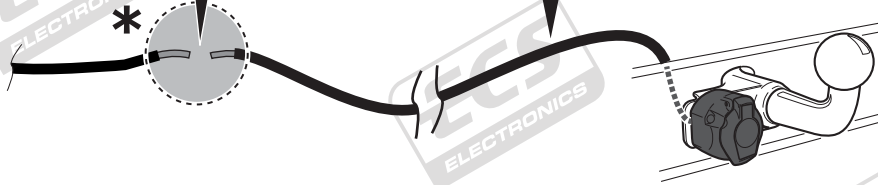
1



2



B



⚠ MAX = 21W