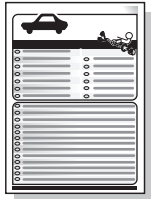
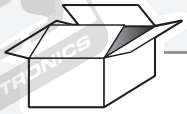


Volkswagen Touareg NF 05/2010- Partnr.: VW-101-D1U

- Fitting instructions electric wiring kit tow bar with 13-P socket up to DIN/ISO Norm 11446.
- We would expressly point out that assembly not carried out properly by a competent installer will result in cancellation of any right to damage compensation, in particular those arising by virtue of the product liability act.
- Contents of these kits and their fitting manuals are subject to alteration without notice, please ensure that these instructions are read and fully understood before commencing installation.
- Do not overload circuits; the maximum loads per connection are detailed in this manual.
- Attention! Before Installation, please read this manual carefully and inform your customer to consult the vehicle owners manual to check for any vehicle modifications required before towing.
- In the event of functional problems, troubleshooting must be limited to about 0.5 hours, contact the technical support:
t.skinner@ecs-electronics.com / 07440 202 052.



Part list



R1



M



*

X

G I



M

L1



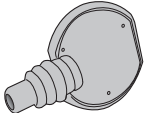
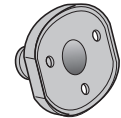
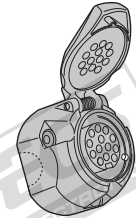
L2

L3



1x

X



* OPTION P.D.C.

PARK DISTANCE CONTROL



PARK DISTANCE CONTROL

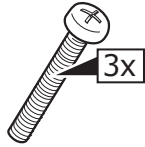
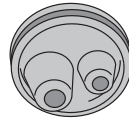


For not OEM P.D.C. system use the: **VW-083-ZZ**

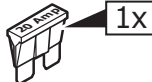
U1



T



3x



1x



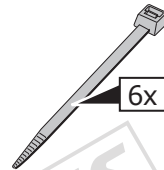
2x



3x

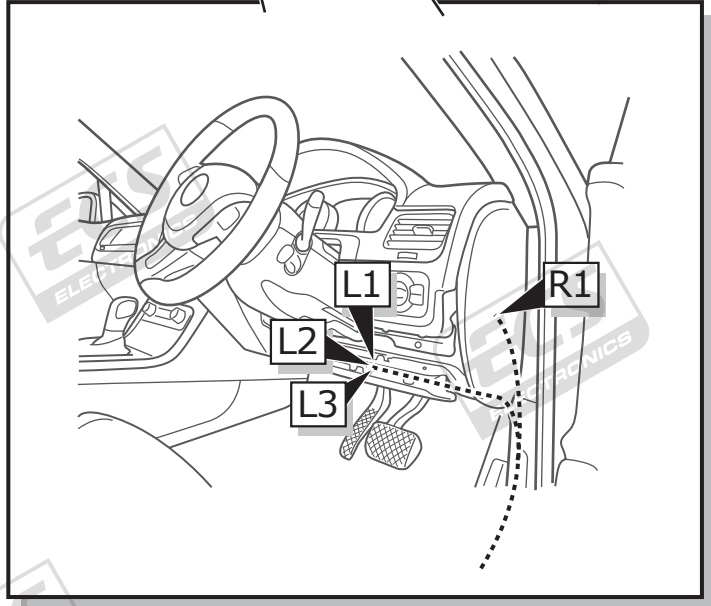
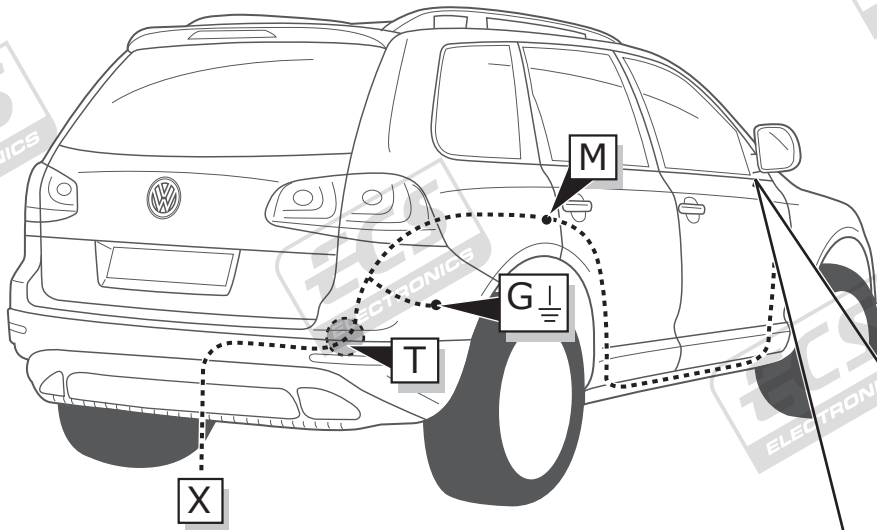


2x

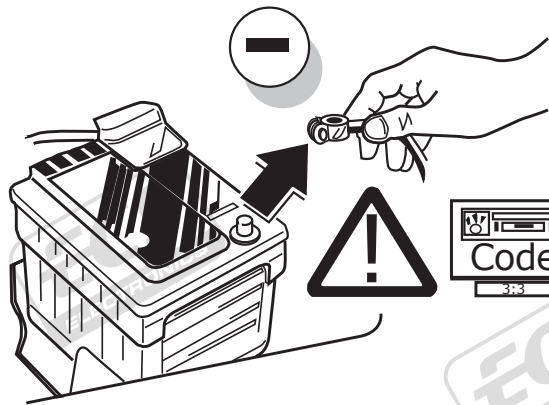


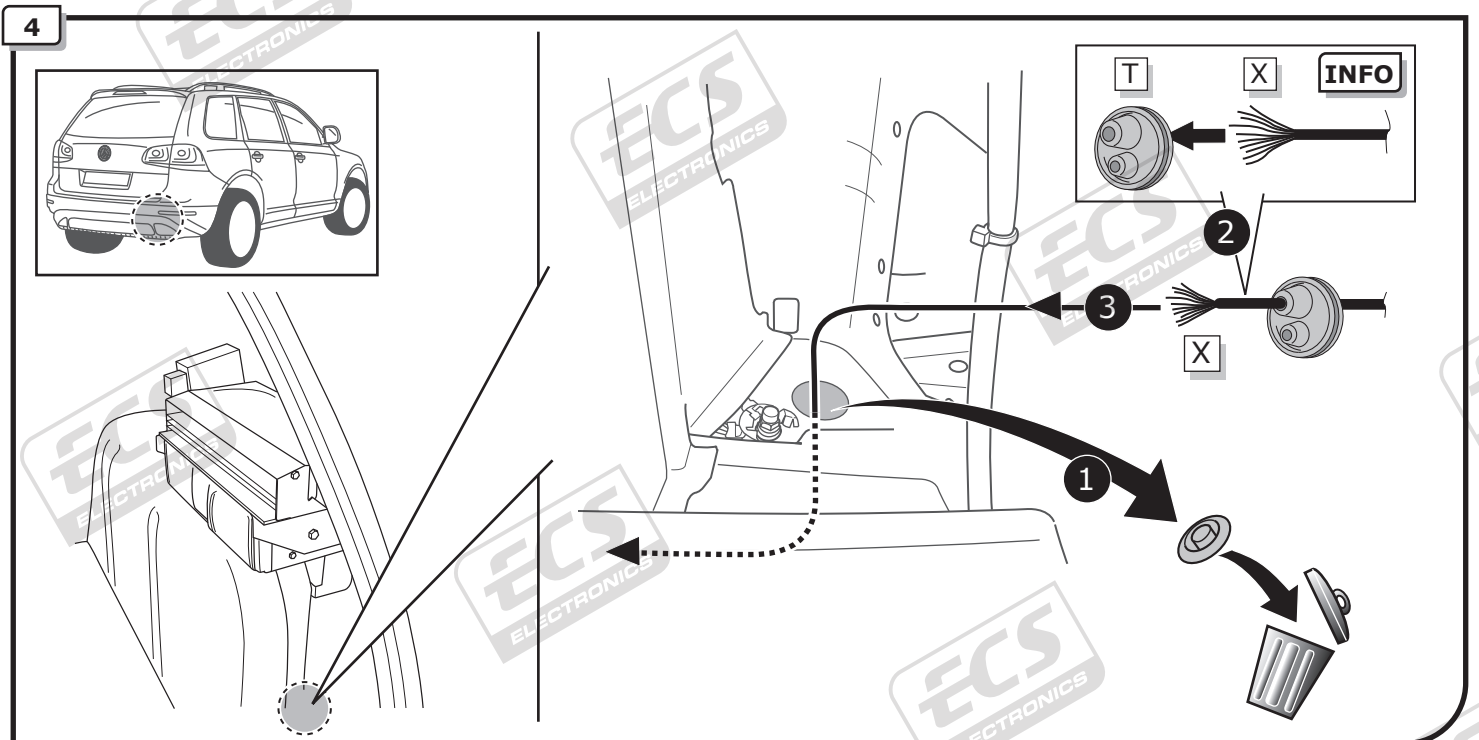
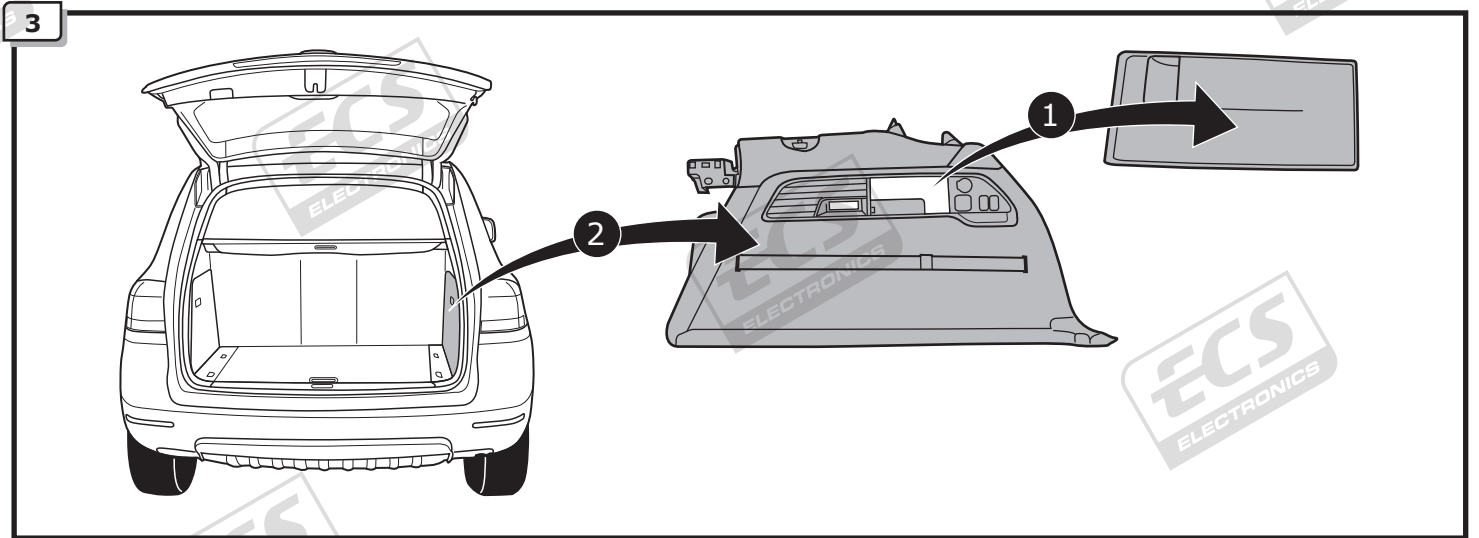
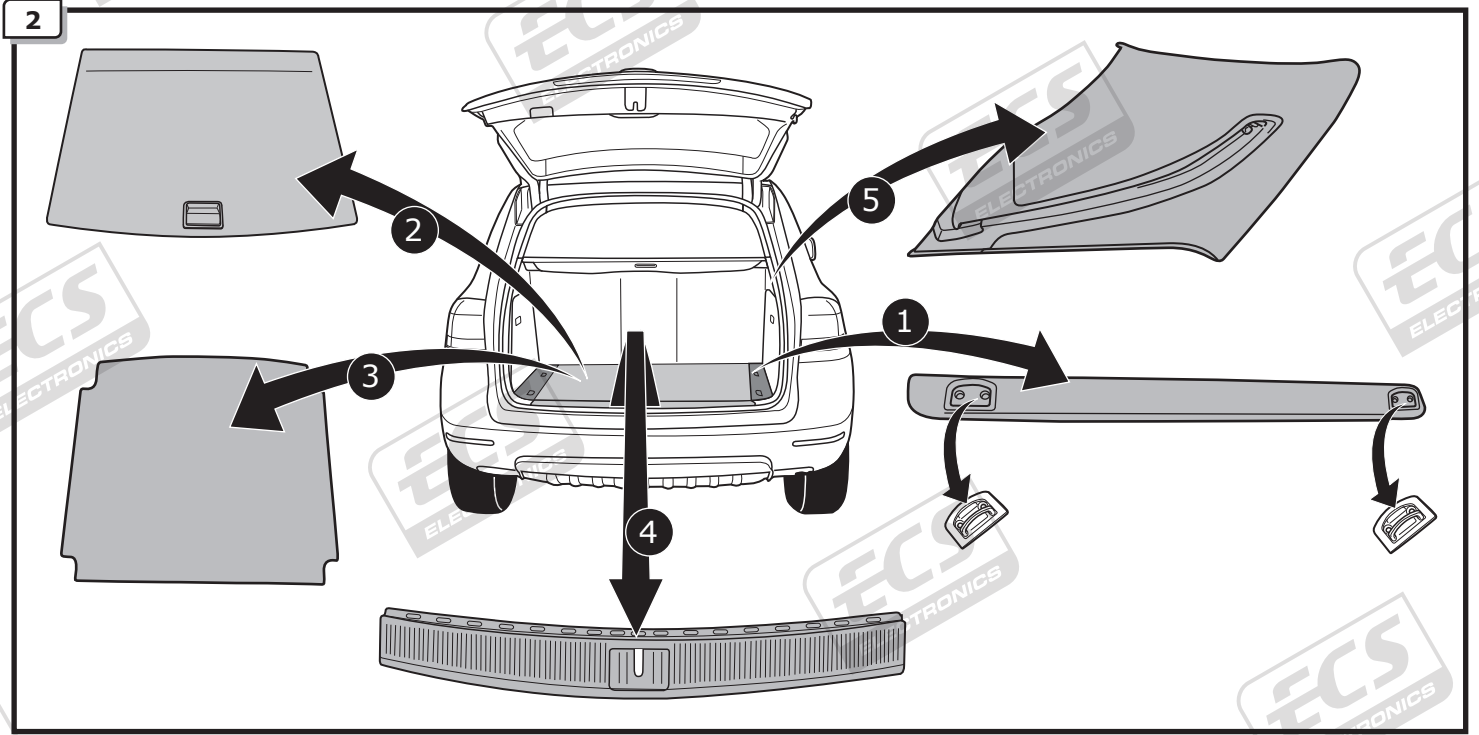
6x

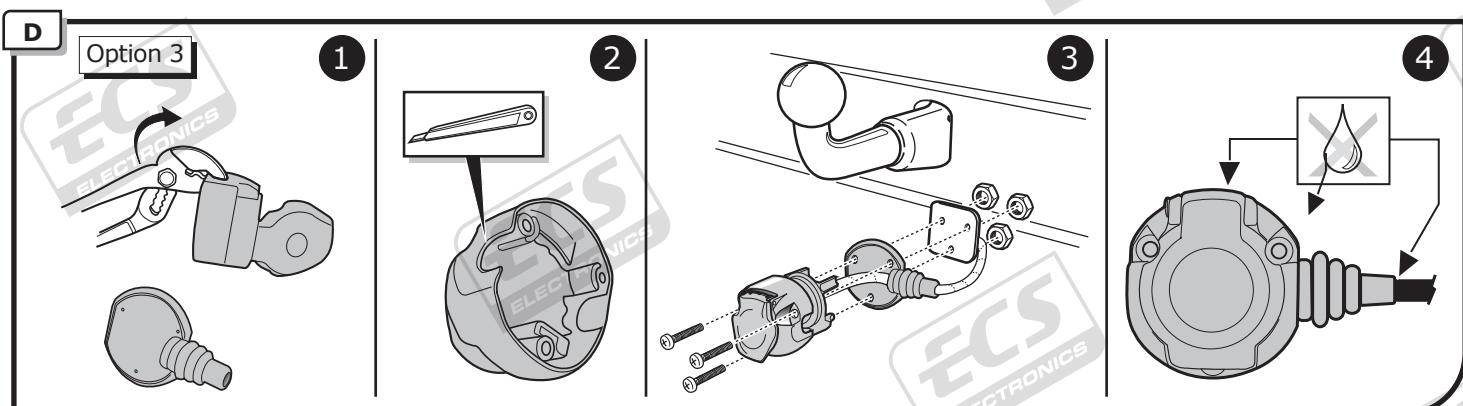
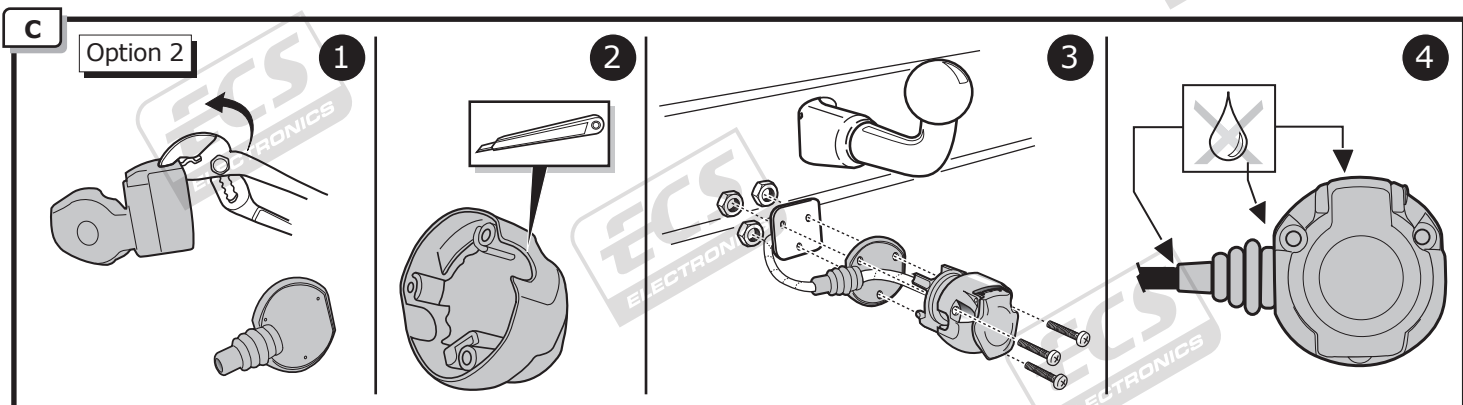
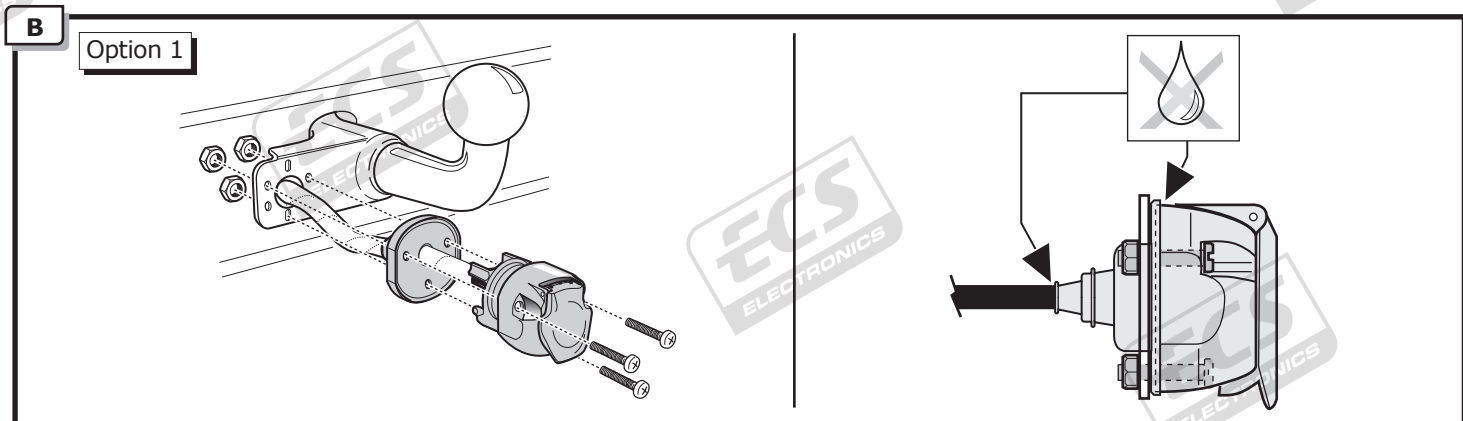
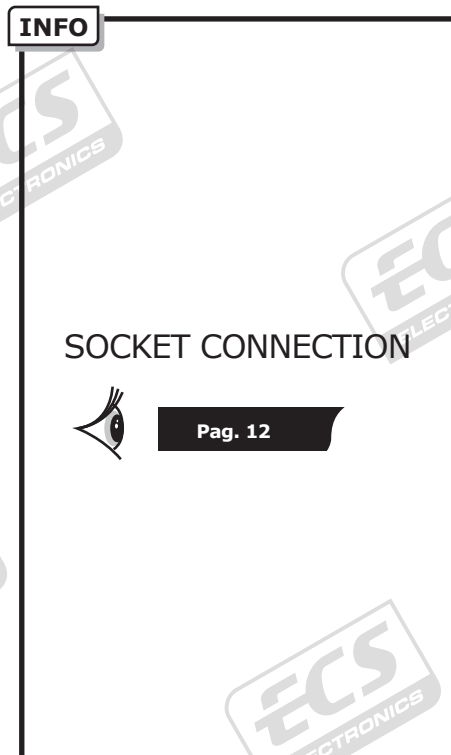
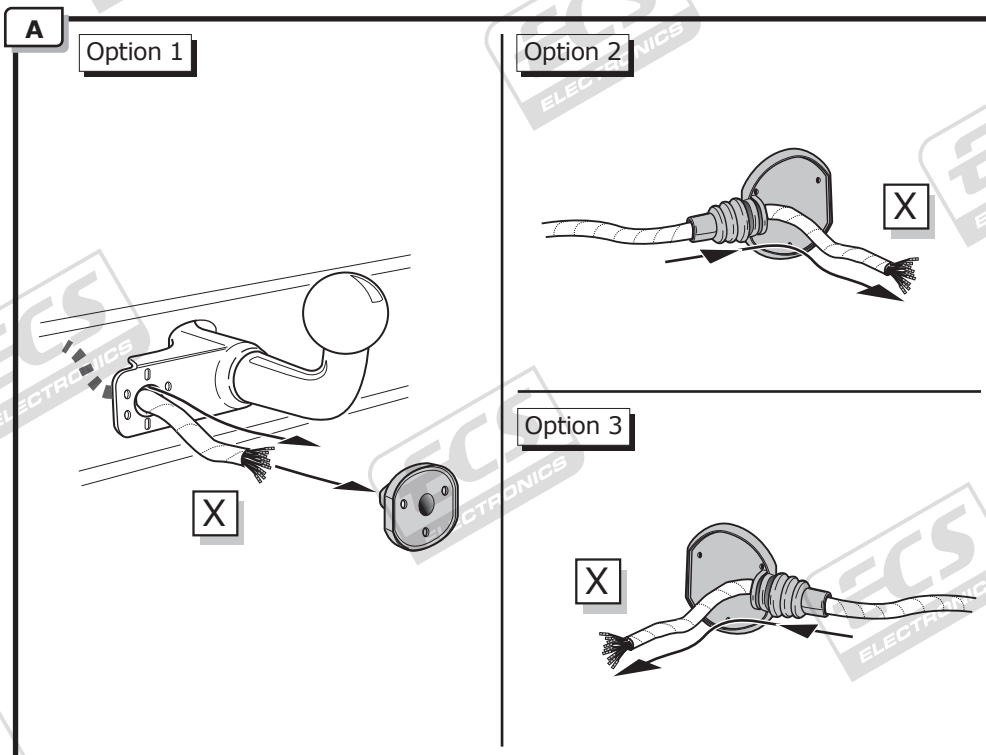
ROUTING

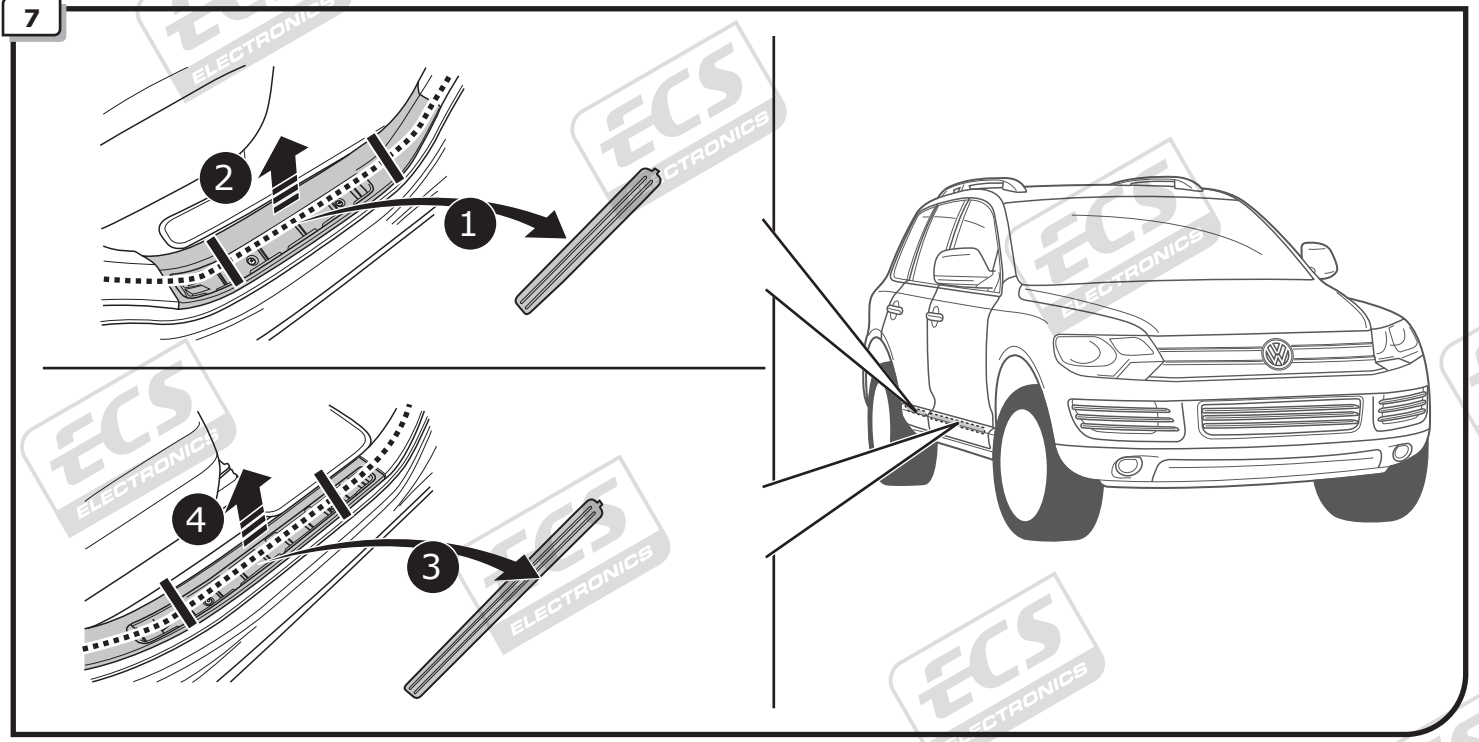
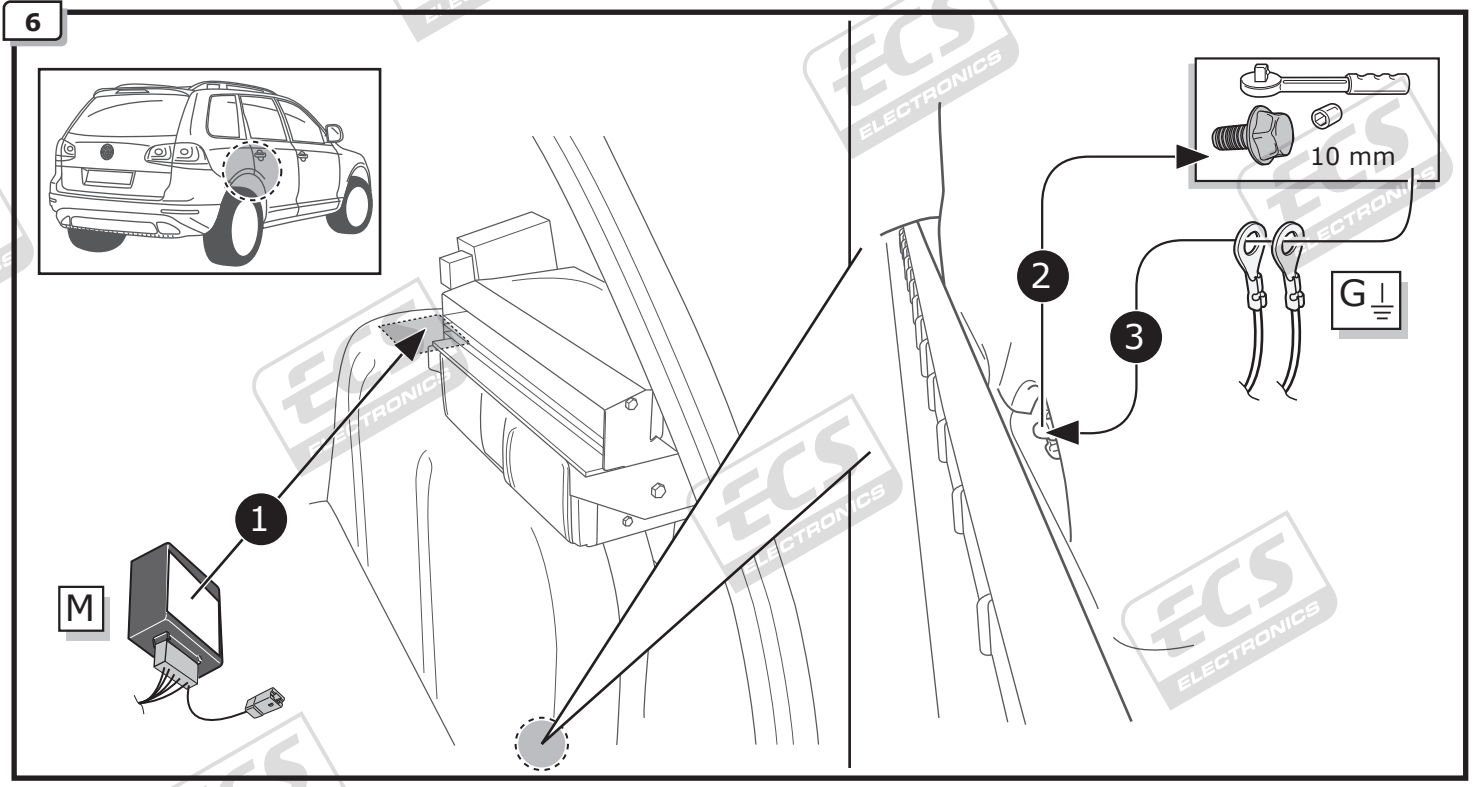
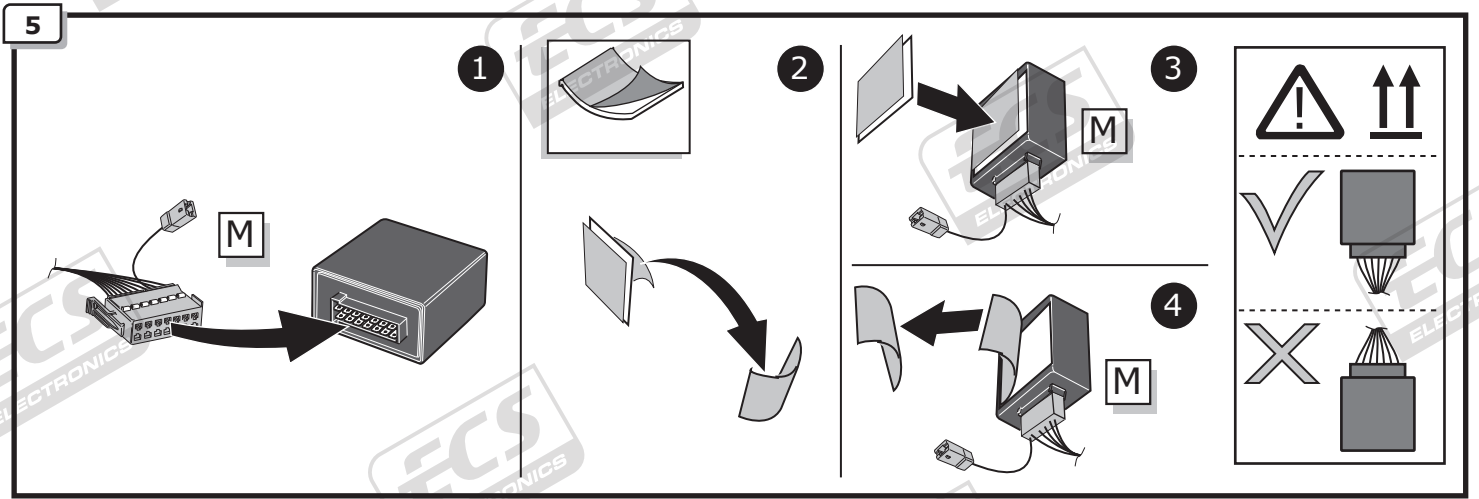


1

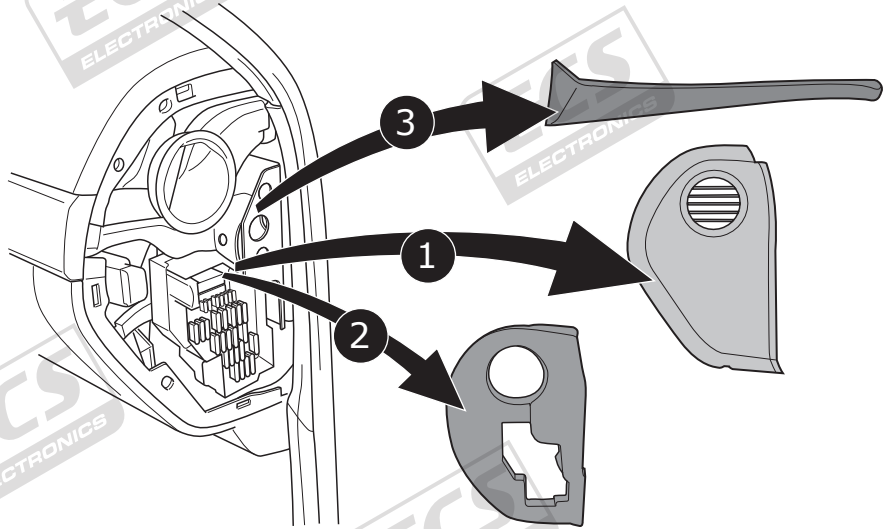
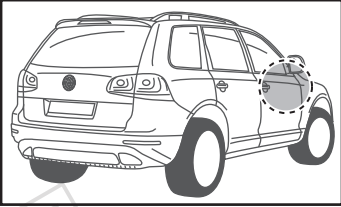




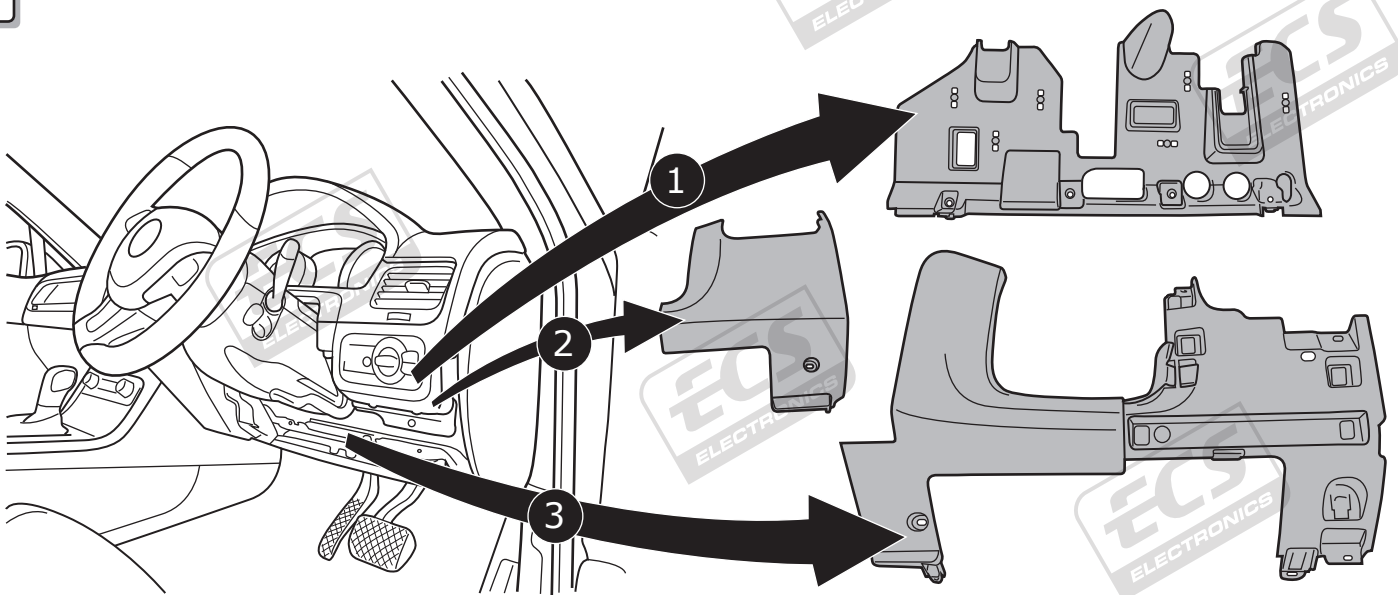




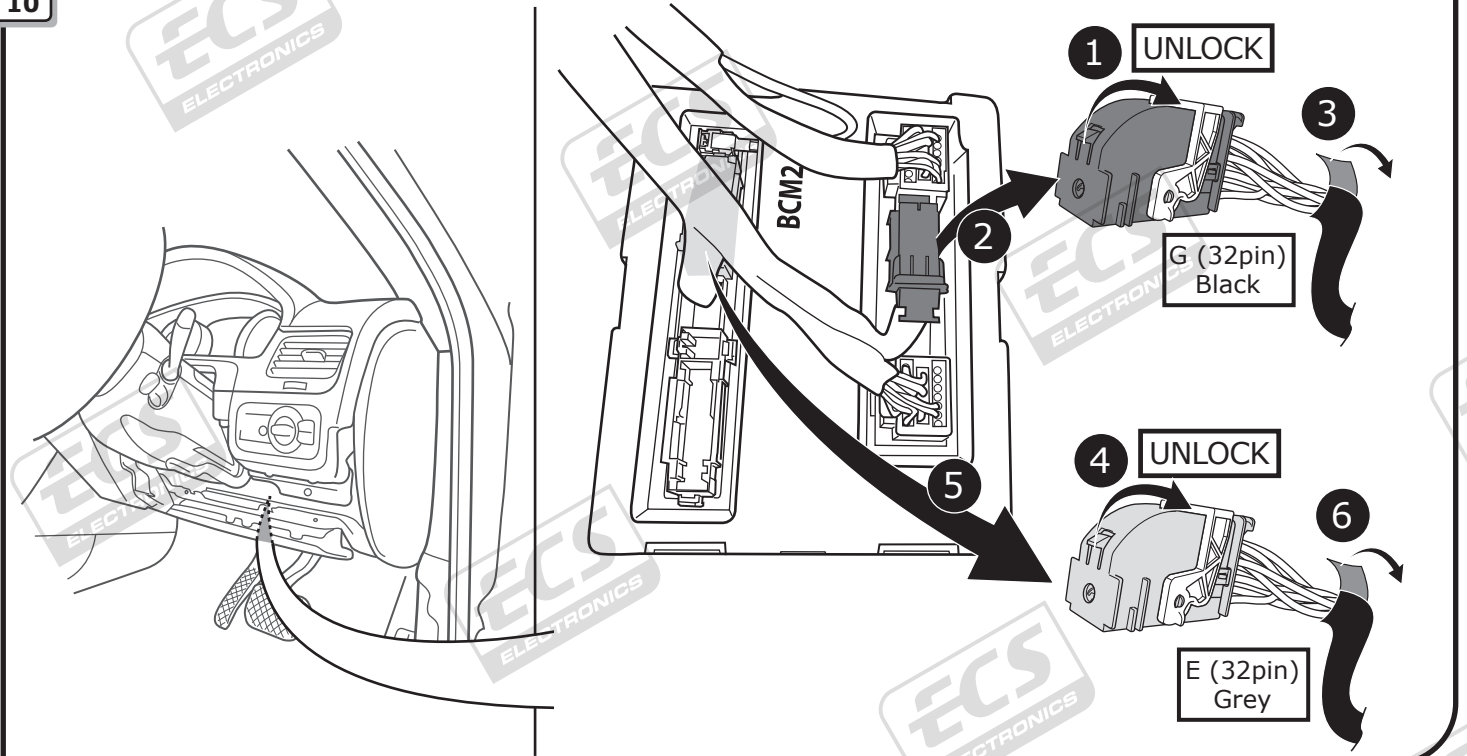
8



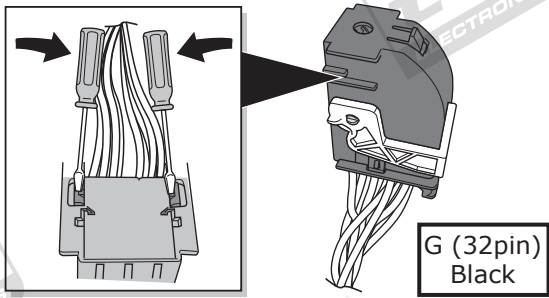
9



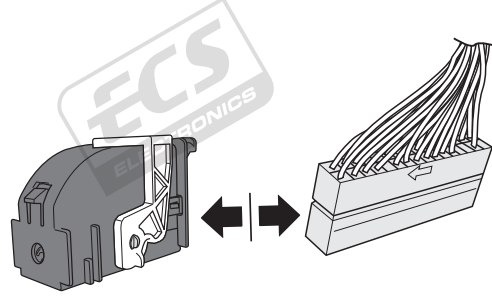
10



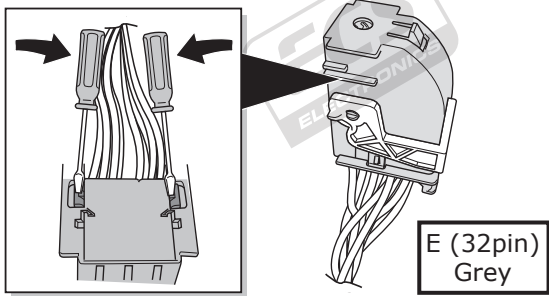
11



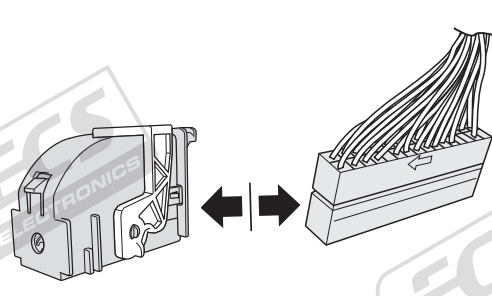
1



2



3



4

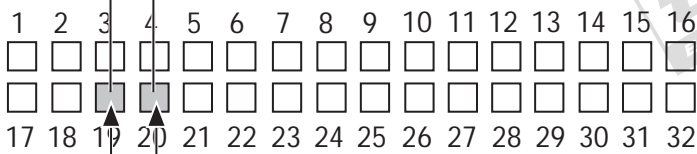
12

G (32pin)
Black

Can-bus
Datawire

Orange/Green

Orange/Brown



Brown

Green

L1

Pos. 2: Orange/Brown

Pos. 3: Orange/Green

2 ! Lock

Pos. 2: Brown

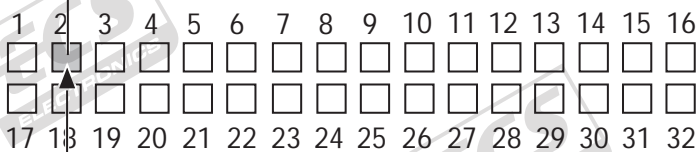
Pos. 3: Green

L2

E (32pin)
Grey



Black/Red



Blue/Red

L1

Pos. 2: Black/Red

2 ! Lock

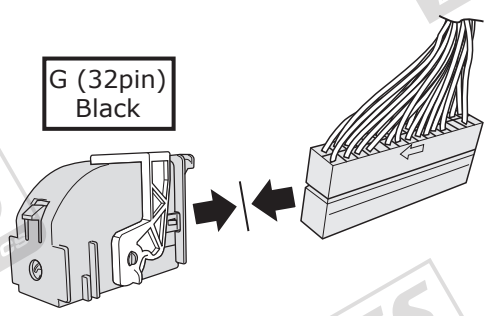
Pos. 2: Blue/Red

L3

13

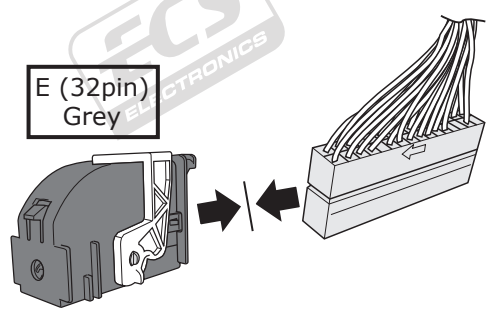
G (32pin)
Black

1

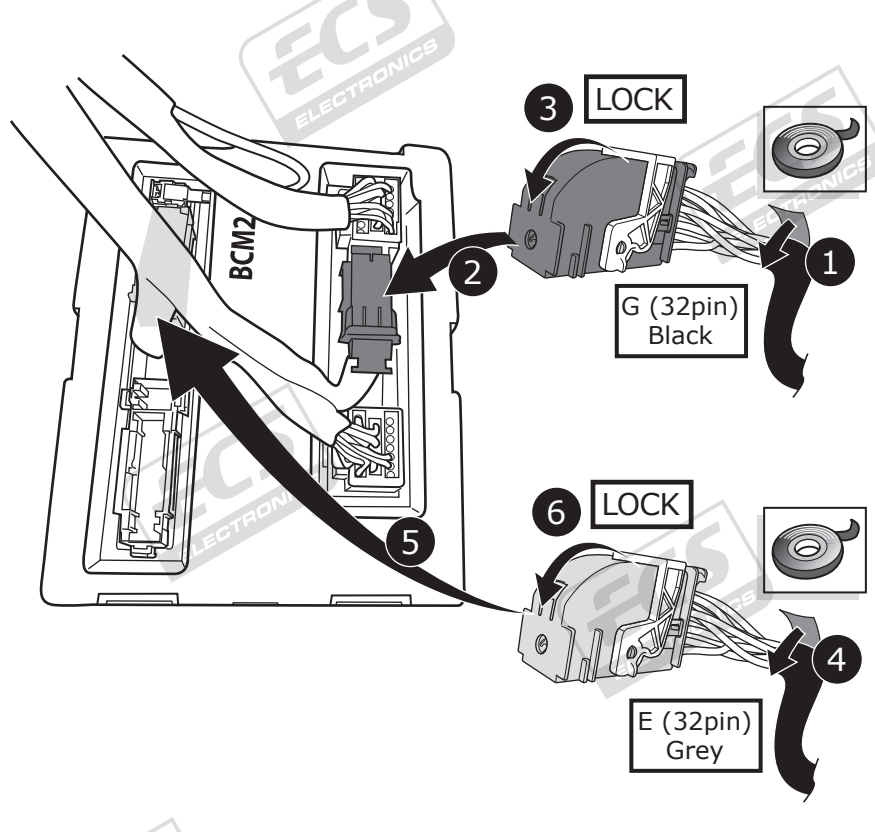
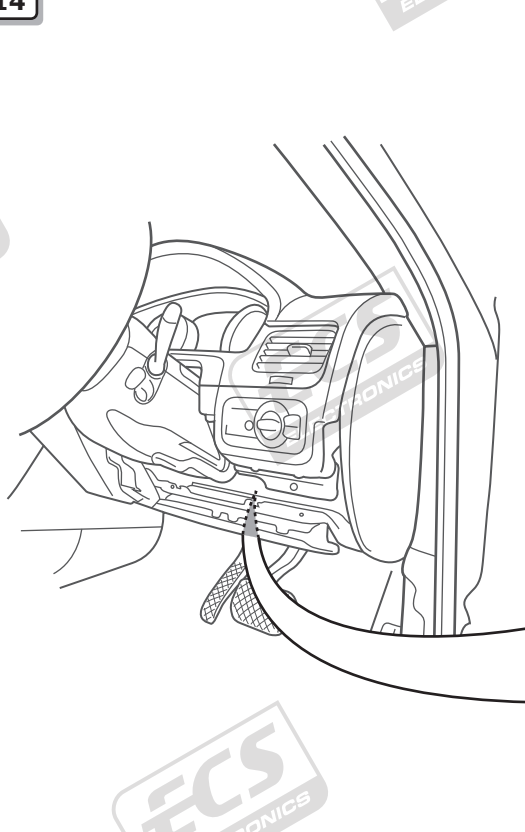


2

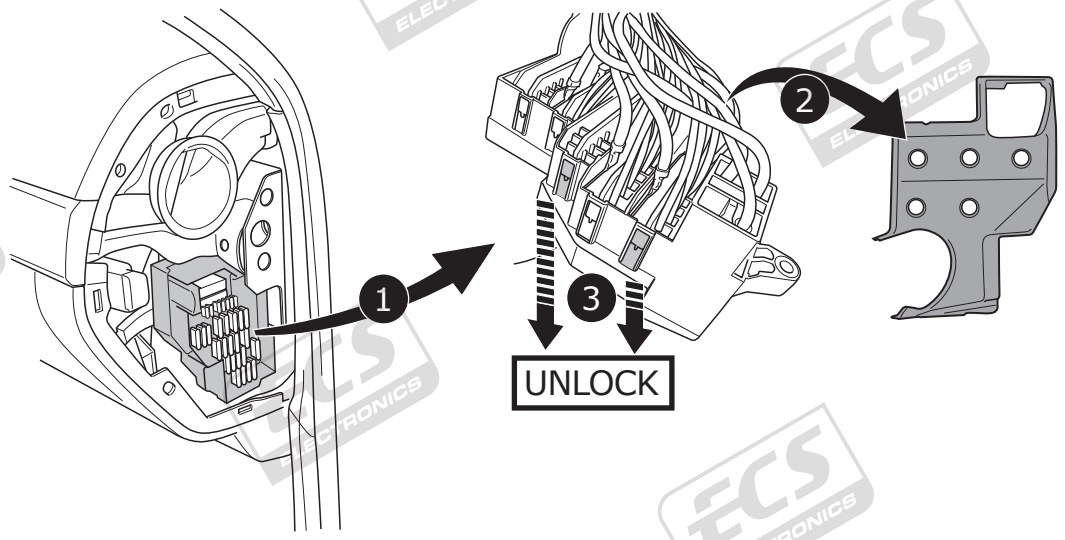
E (32pin)
Grey

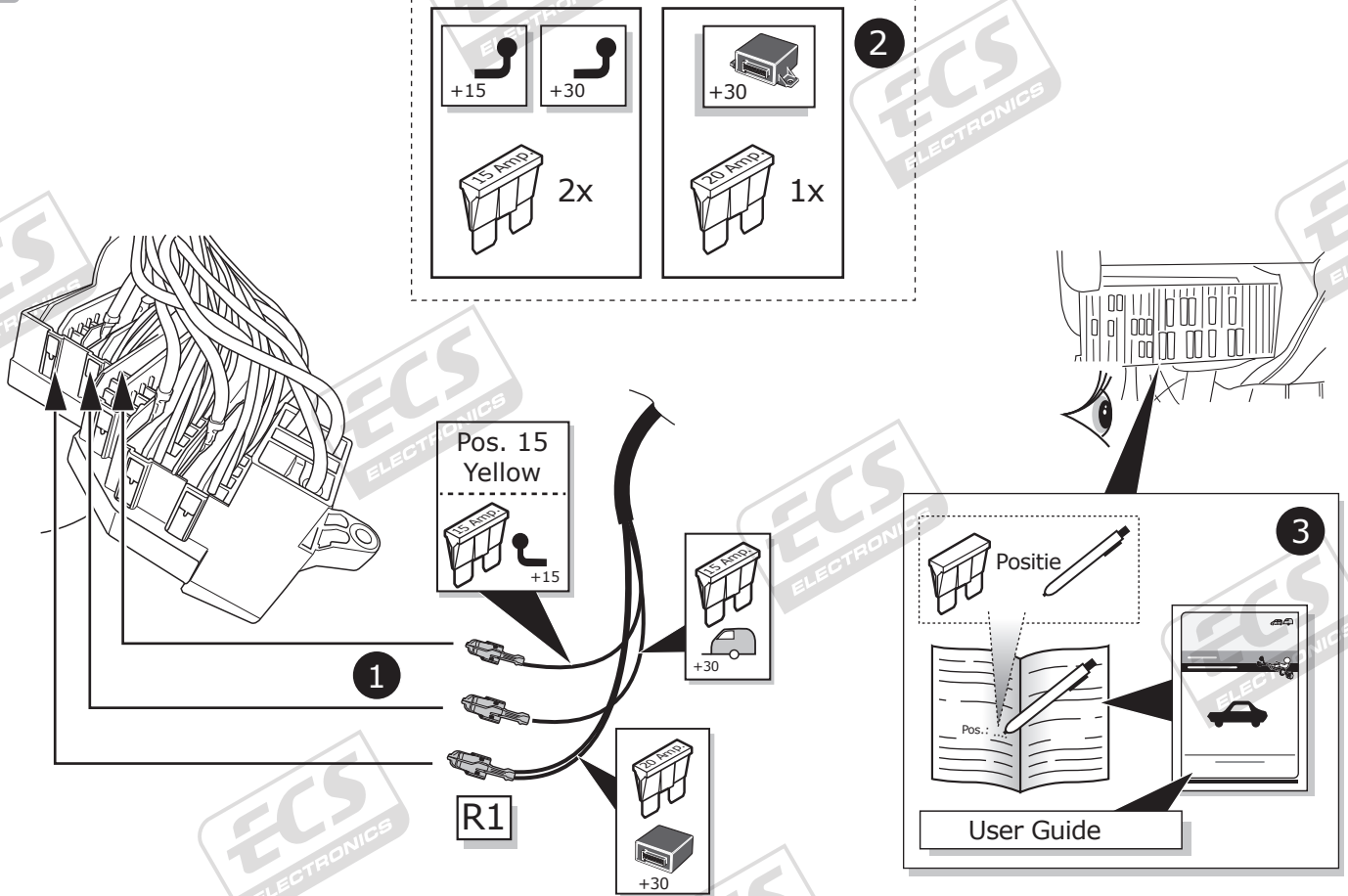


14

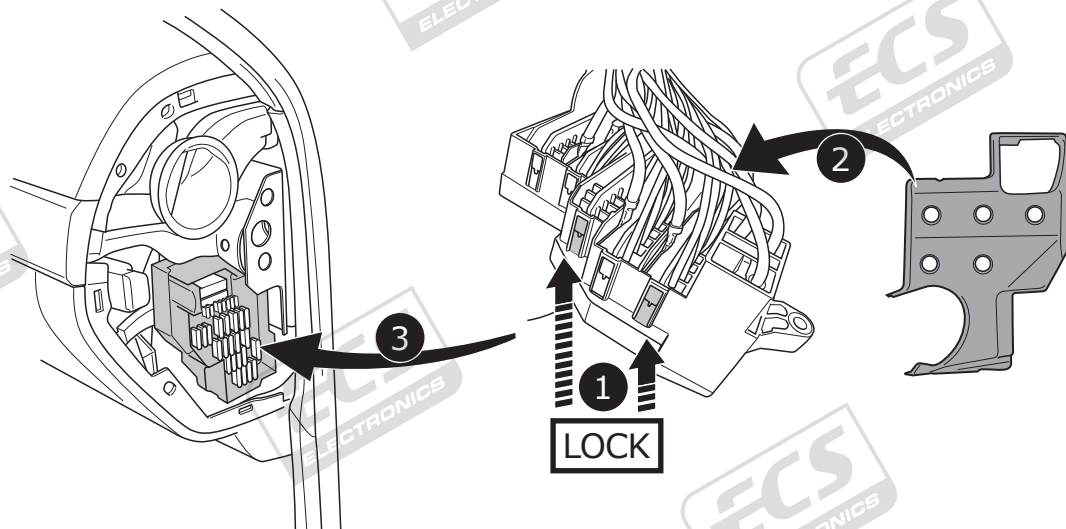
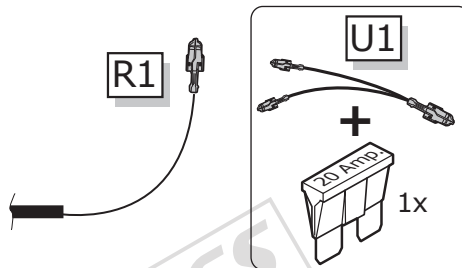


15

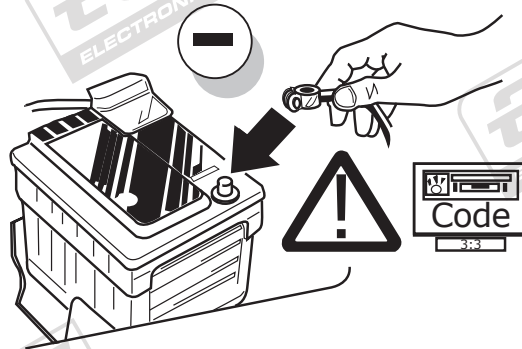




If Positions are taken:



18



19

A VAG Service Tester must be used to code the vehicle's Gateway with the additional function for the towing hitch at the dealer.

20

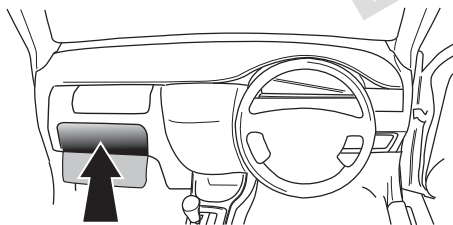


TEST ALL THE CIRCUITS WITH A TEST DEVICE WITH THE CORRECT POWER LOAD FOR EACH FUNCTION. A TEST DEVICE WITH LED'S CANNOT BE USED FOR THIS PURPOSE.

INFO

REINSTALL TRIM.

21



User guide

TECHNICAL SUPPORT

CALL 07440 202 052

ECS ELECTRONICS MONDAY TO FRIDAY
08.00 - 11.00 am
12.00 - 05.00 pm
tekstner@ecs-electronics.com
www.ecs-electronicsuk.co.uk

SOCKET CONNECTION

DIN/ISO 11446													
	1/L	2	3/31	4/R	5/58-R	6/54	7/58-L	8	9	10	11	12	13
Pmax	21W	21W		21W	42W	3x21W	42W	21W	180W/15Amp	180W/15Amp			
Colour	Black/White	Blue	Brown	Black/Green	Grey/Red	Black/Red	Grey/Black	Black	Red	Yellow	Brown	-	Brown