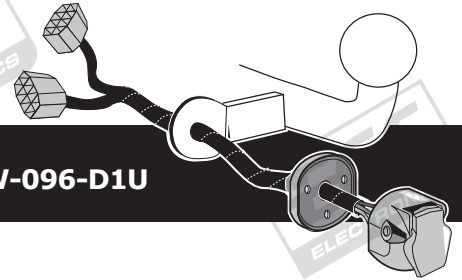


Volkswagen

- **Touran I 03/2003-07/2010**
- **Touran I 08/2010-08/2015**

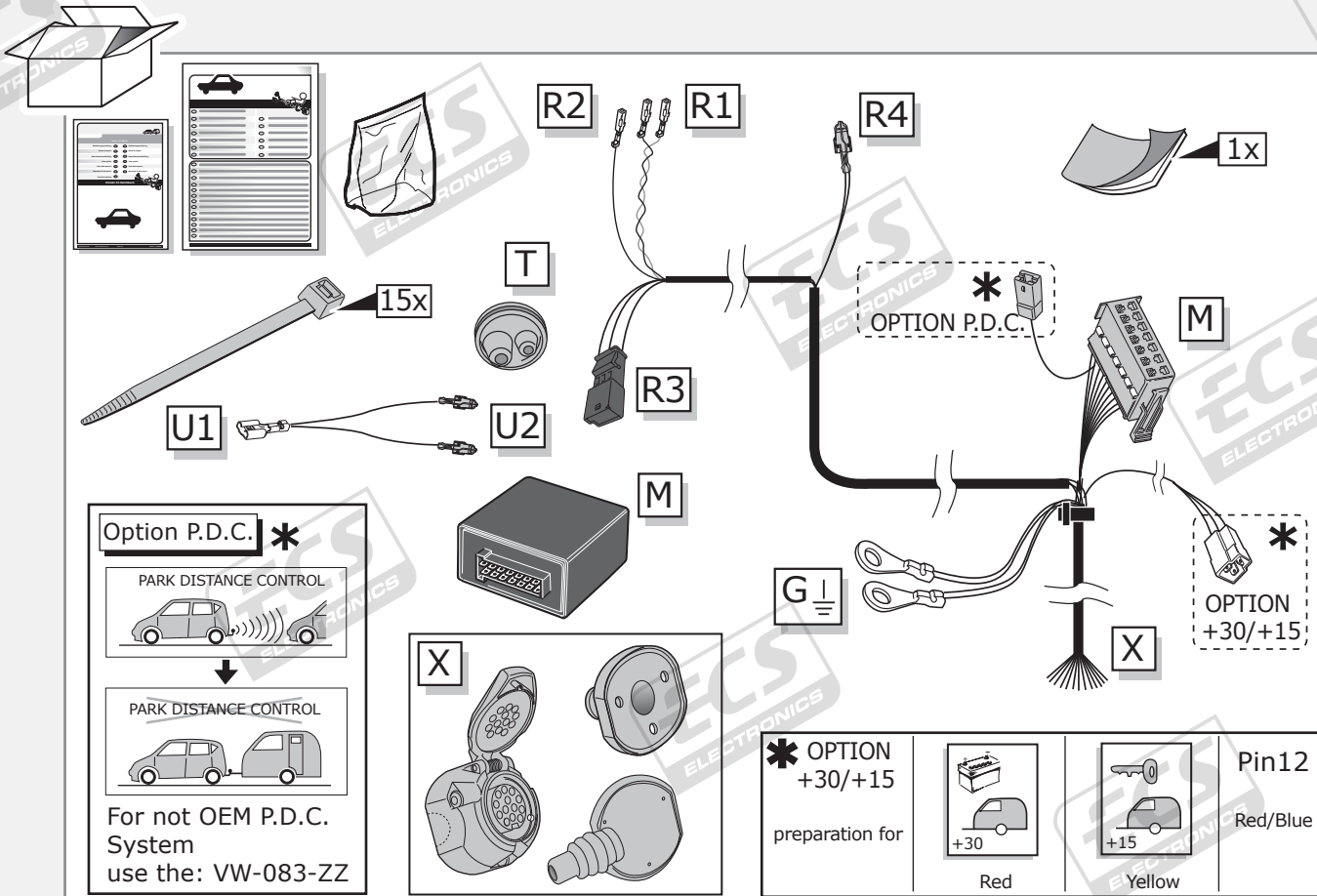
Partnr.: VW-096-D1U



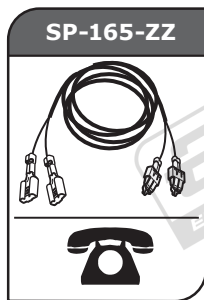
- Fitting instructions electric wiring kit tow bar with 13-P socket up to DIN/ISO Norm 11446.
- We would expressly point out that assembly not carried out properly by a competent installer will result in cancellation of any right to damage compensation, in particular those arising by virtue of the product liability act.
- Contents of these kits and their fitting manuals are subject to alteration without notice, please ensure that these instructions are read and fully understood before commencing installation.
- Do not overload circuits; the maximum loads per connection are detailed in this manual.
- Attention! Before Installation, please read this manual carefully and inform your customer to consult the vehicle owners manual to check for any vehicle modifications required before towing.
- In the event of functional problems, troubleshooting must be limited to about 0.5 hours, contact the technical support:
t.skinner@ecs-electronics.com / 07440 202 052.



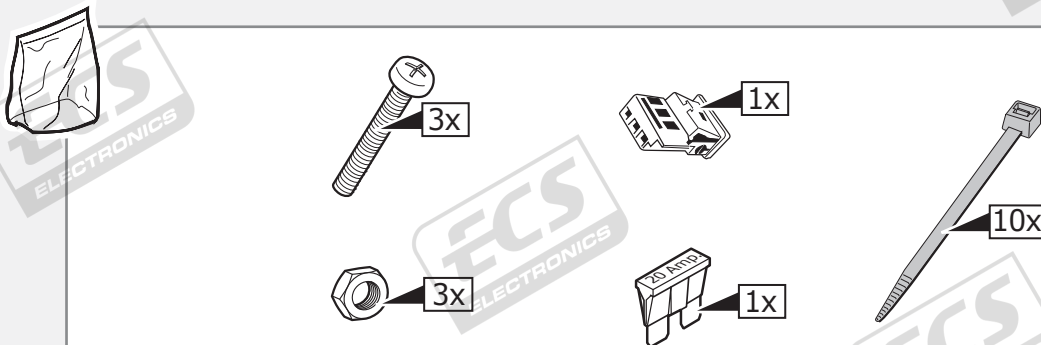
Part list



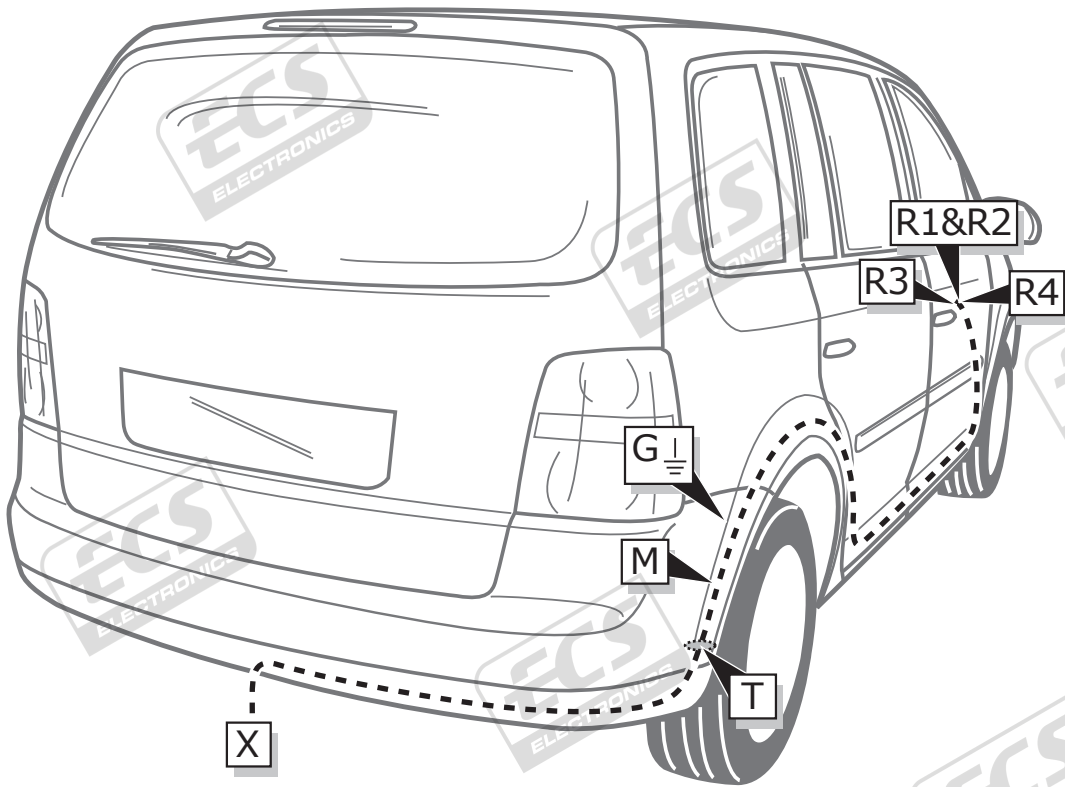
Option *
+30/+15 extension kit



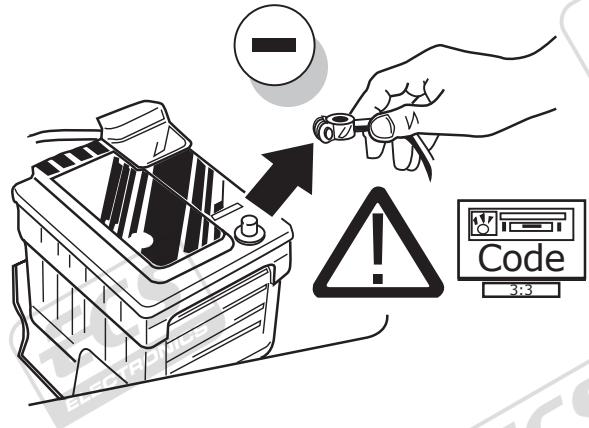
Consult your supplier.



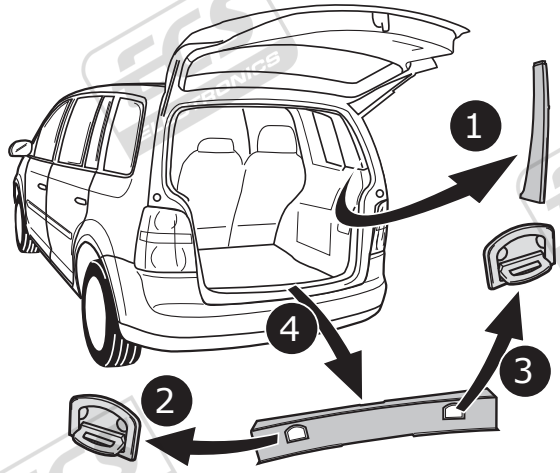
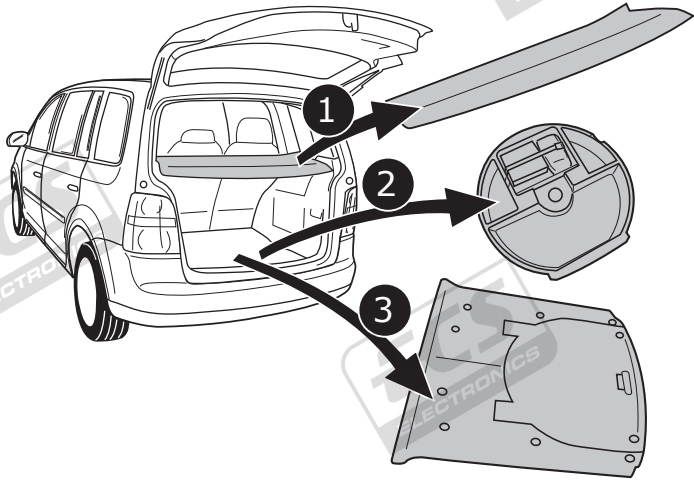
ROUTING



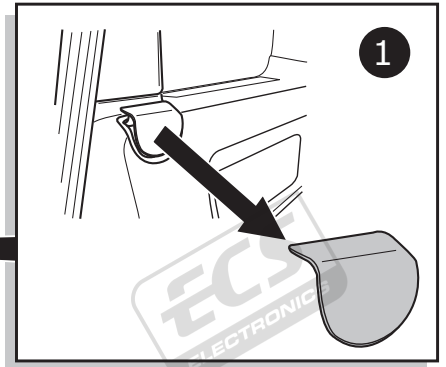
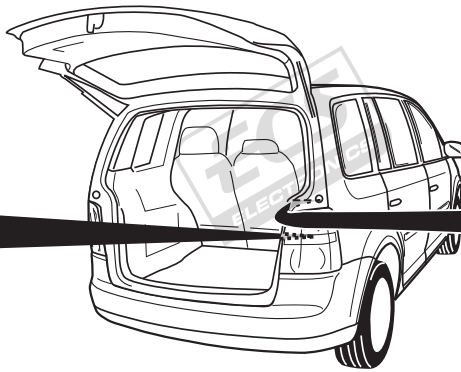
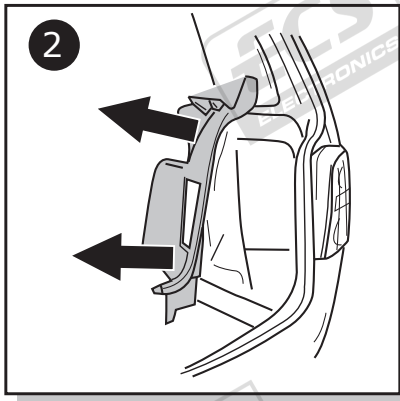
1



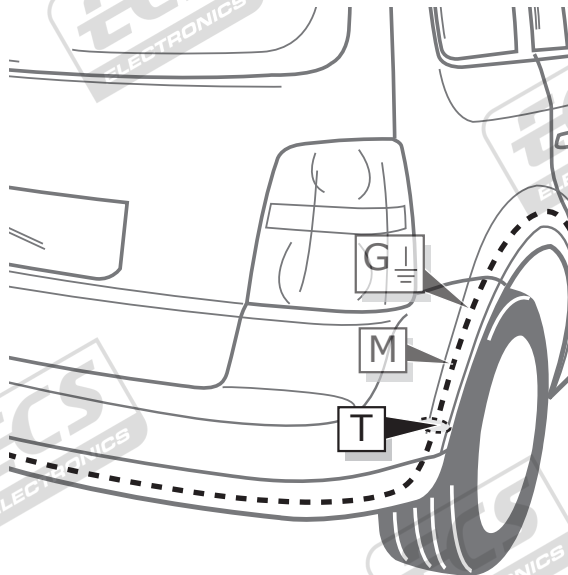
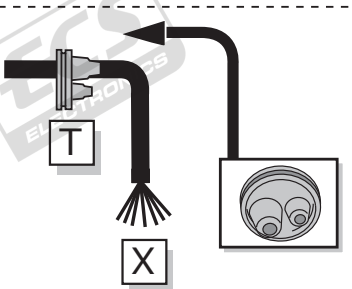
2

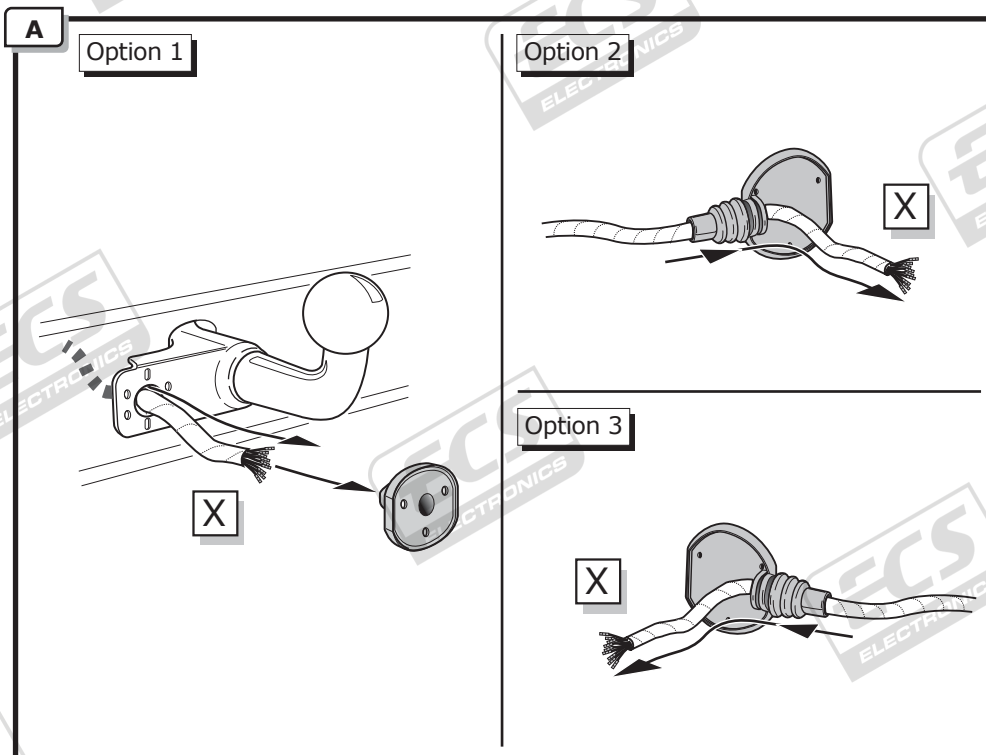


3



4

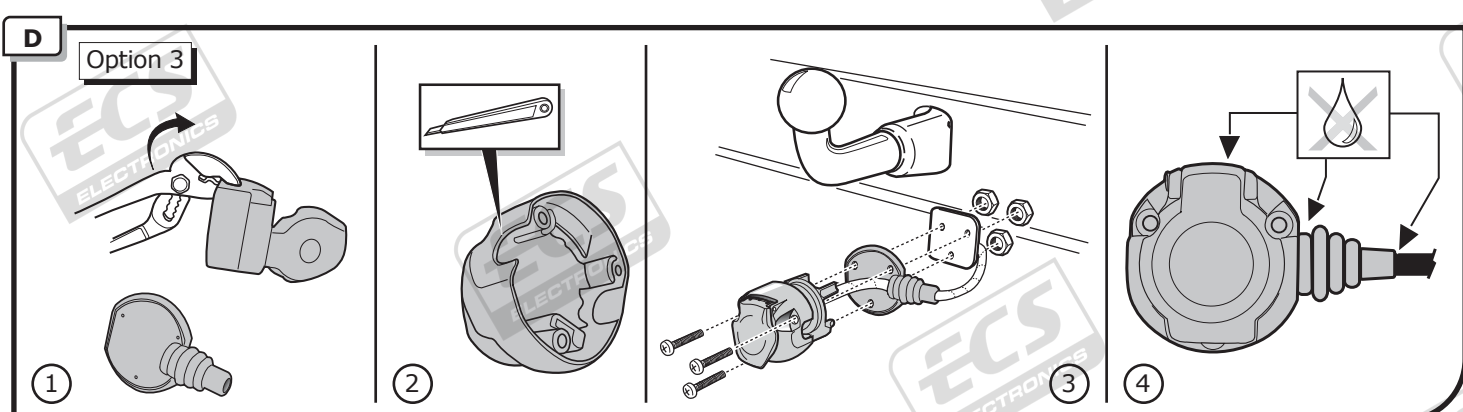
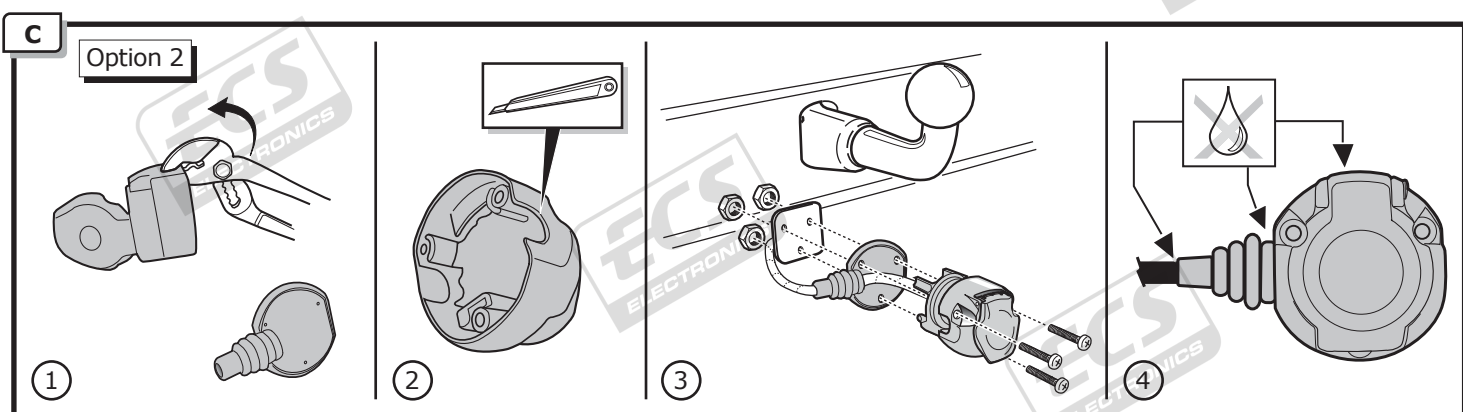
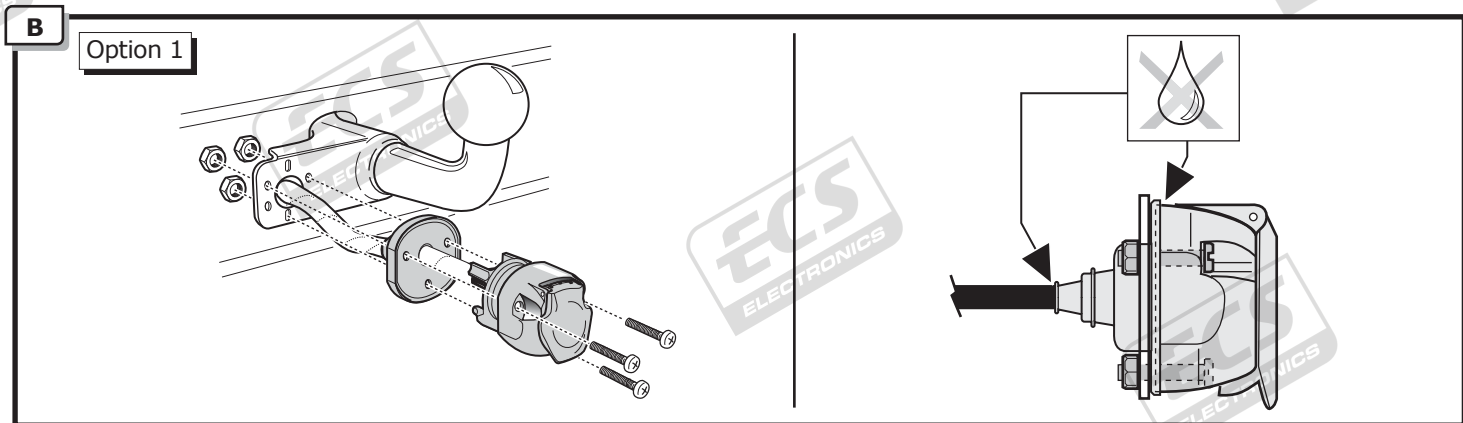


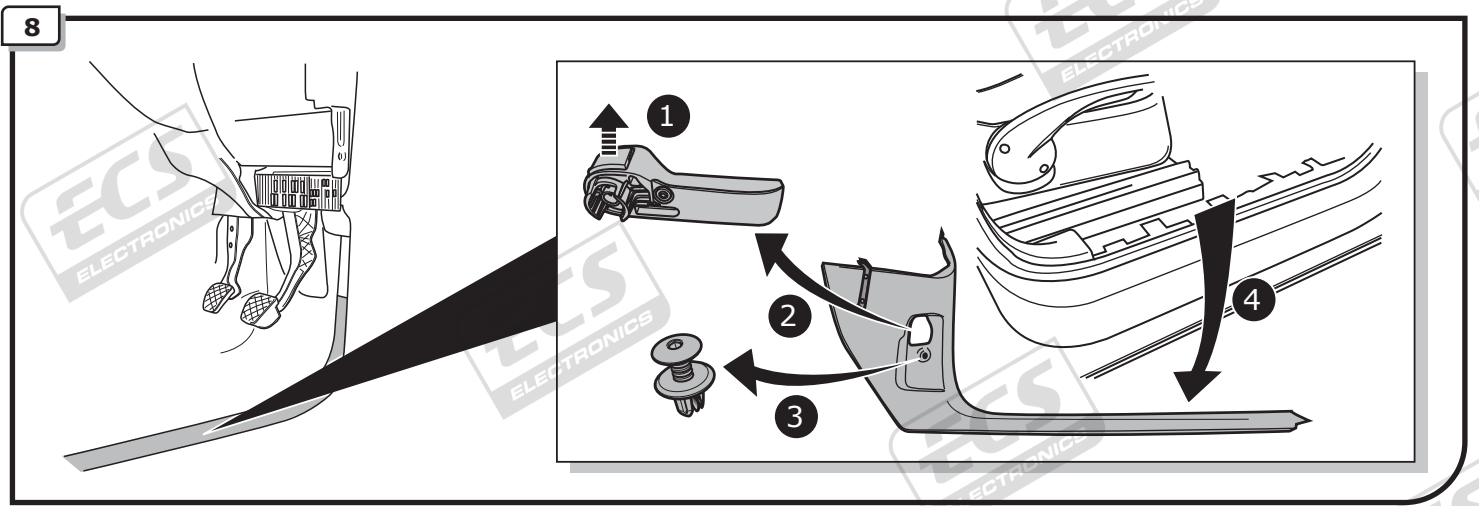
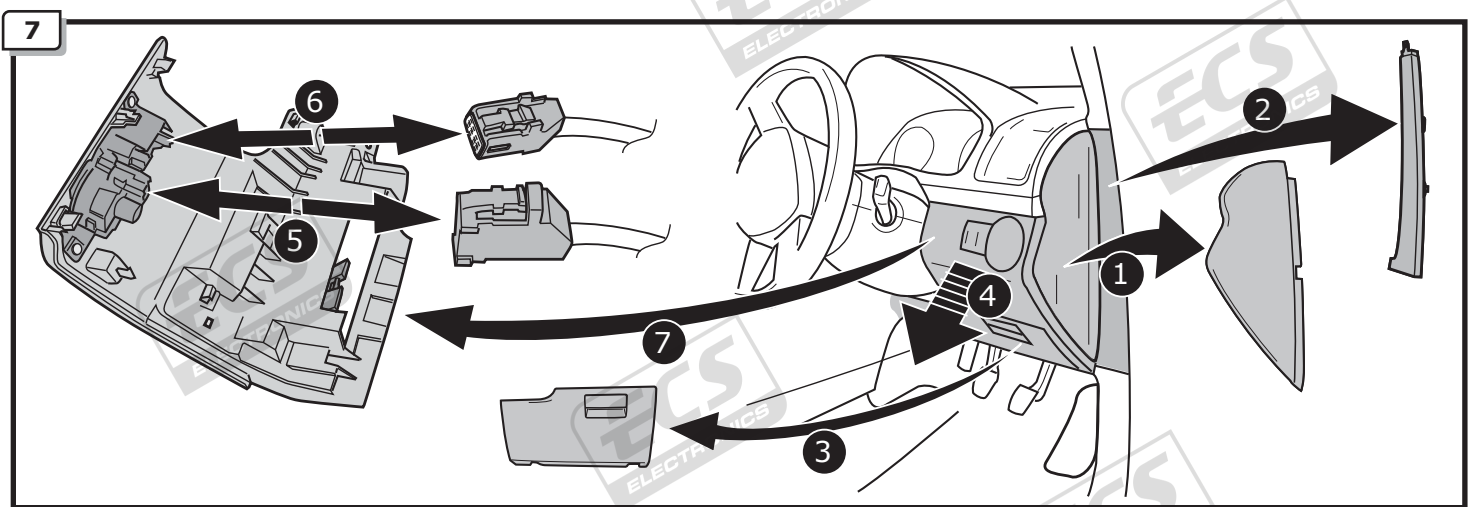
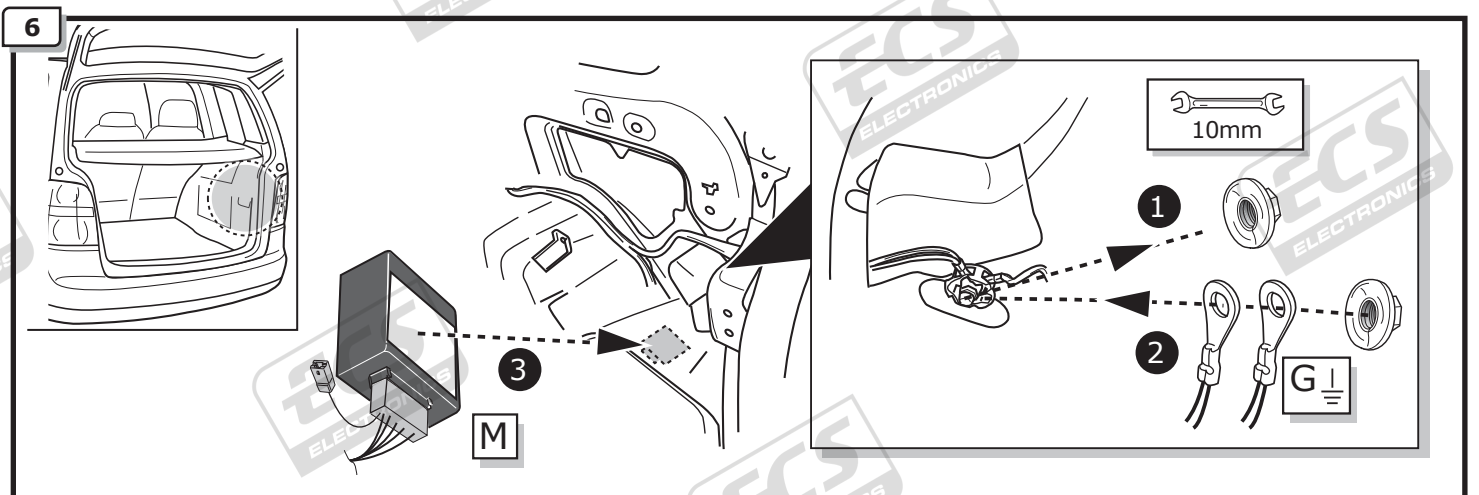
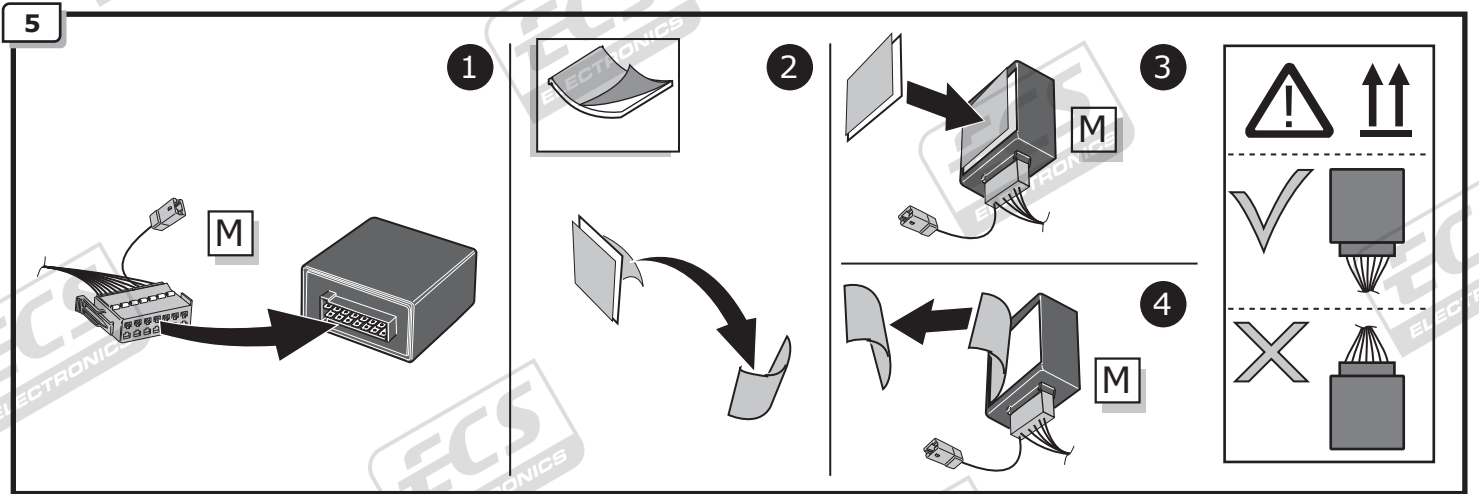


INFO

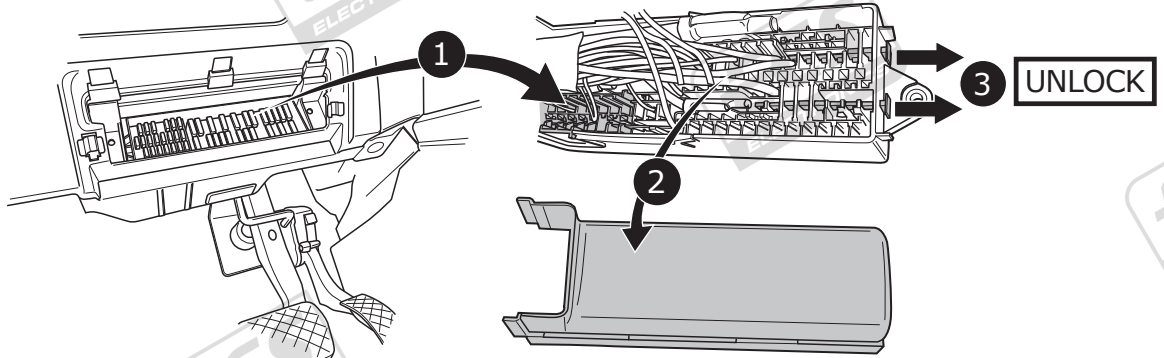
SOCKET CONNECTION

Pag. 12

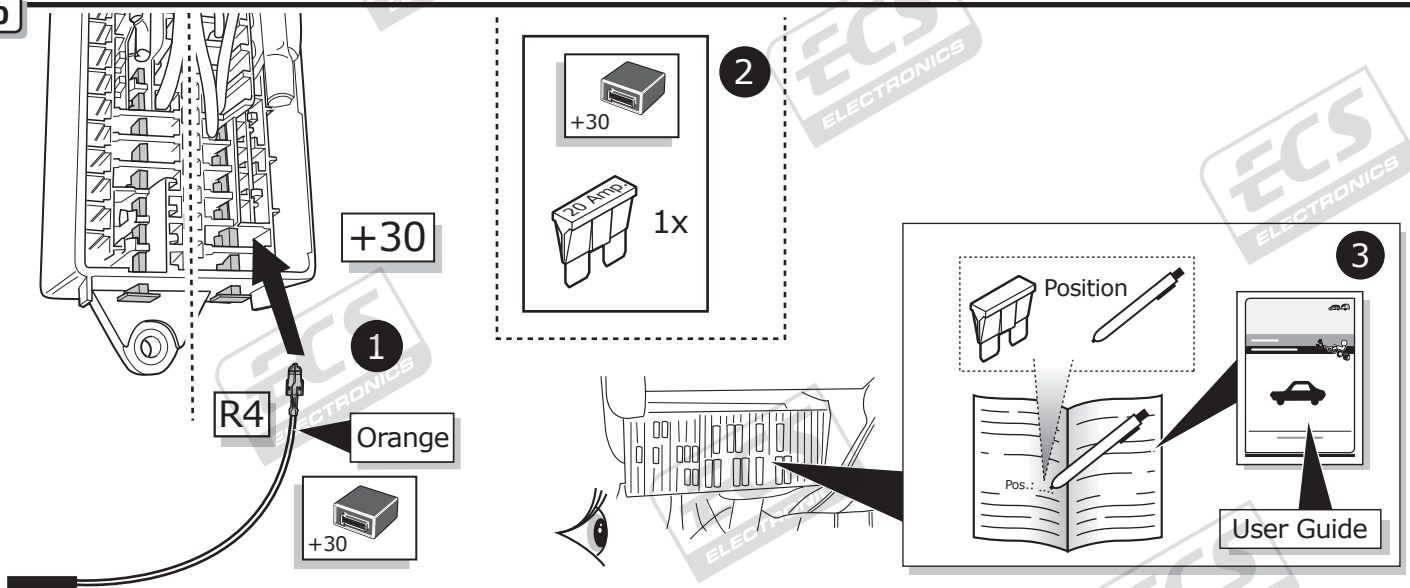




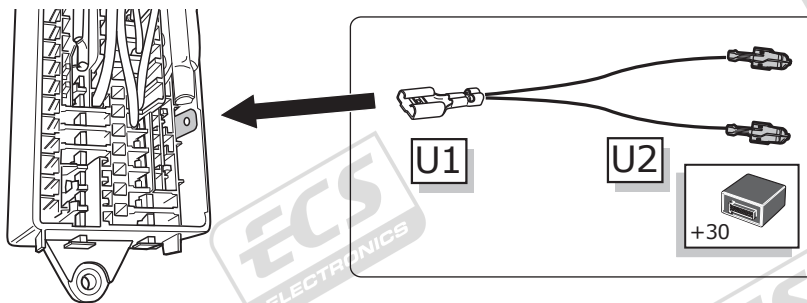
9



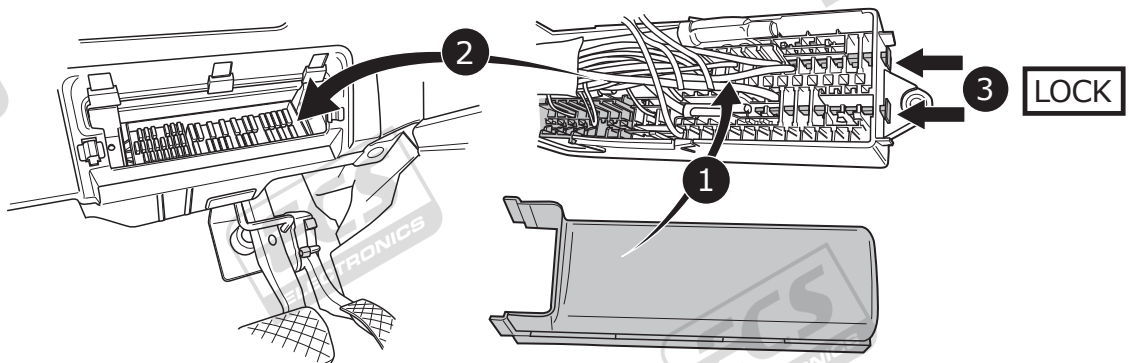
10



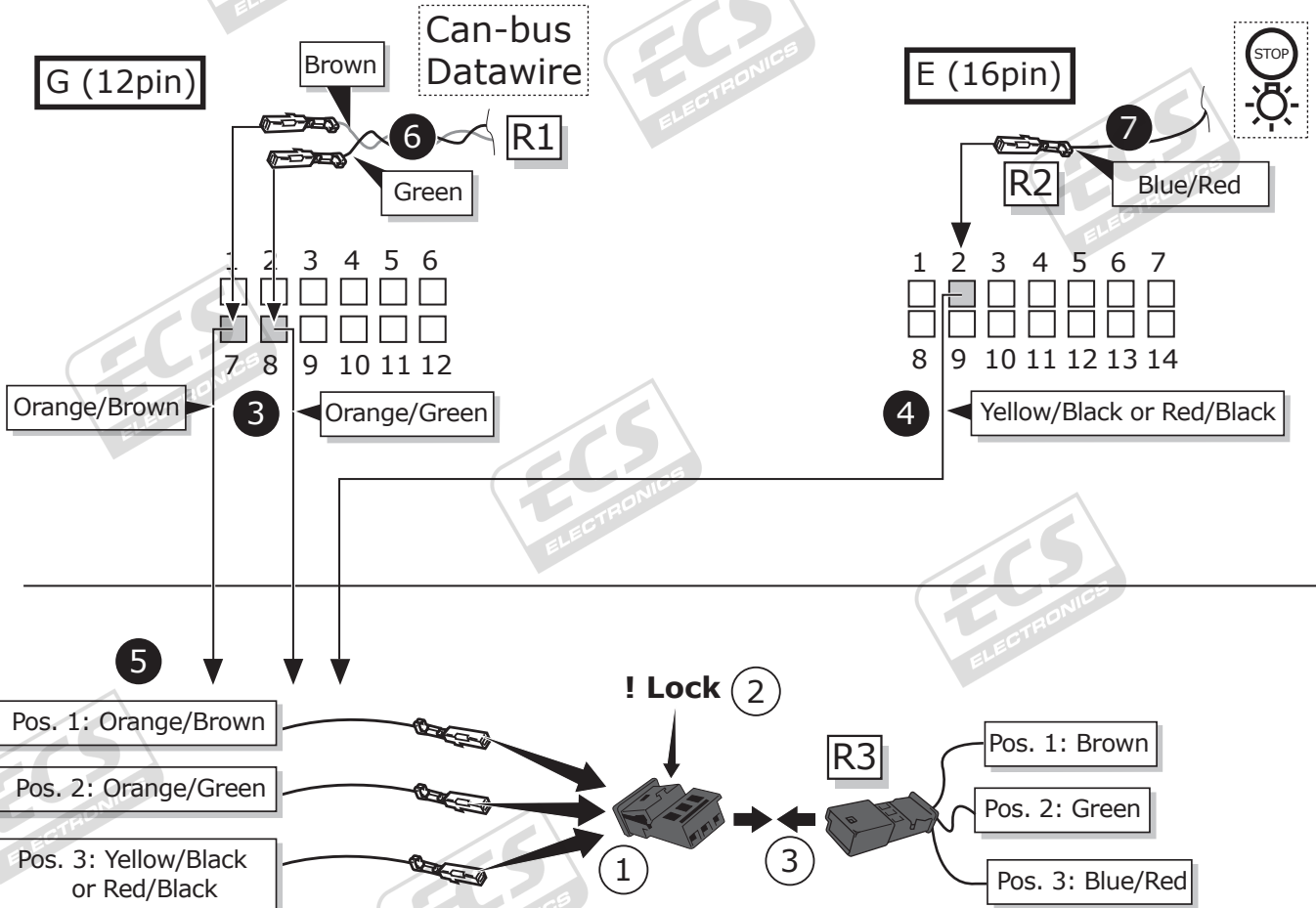
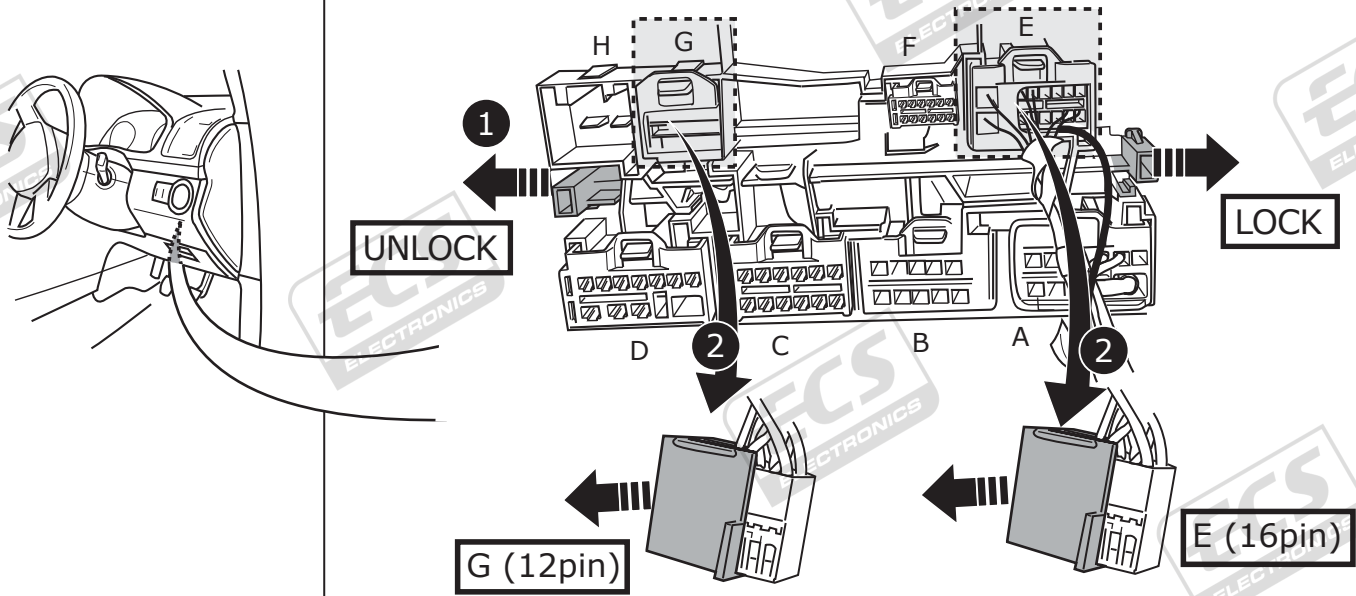
Use if there is no prepared +30 location:



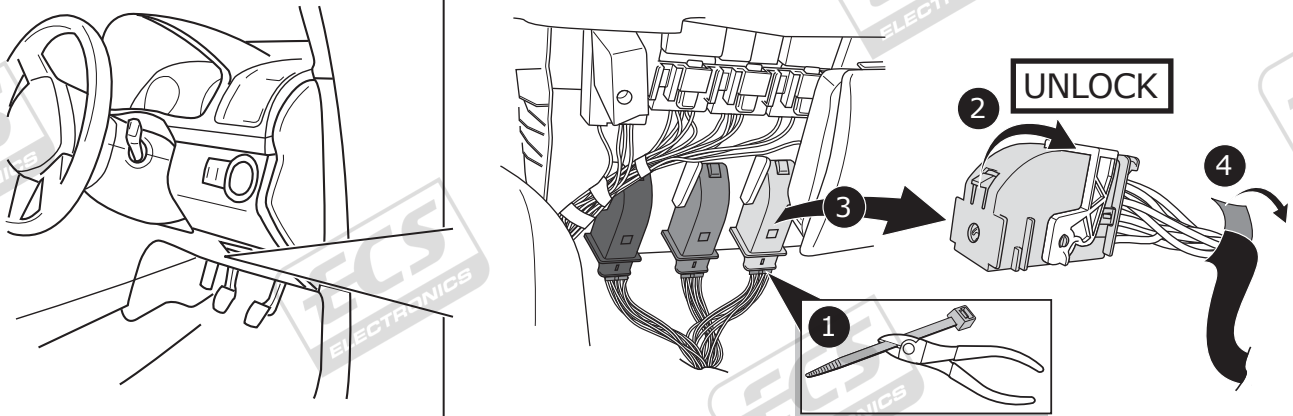
11



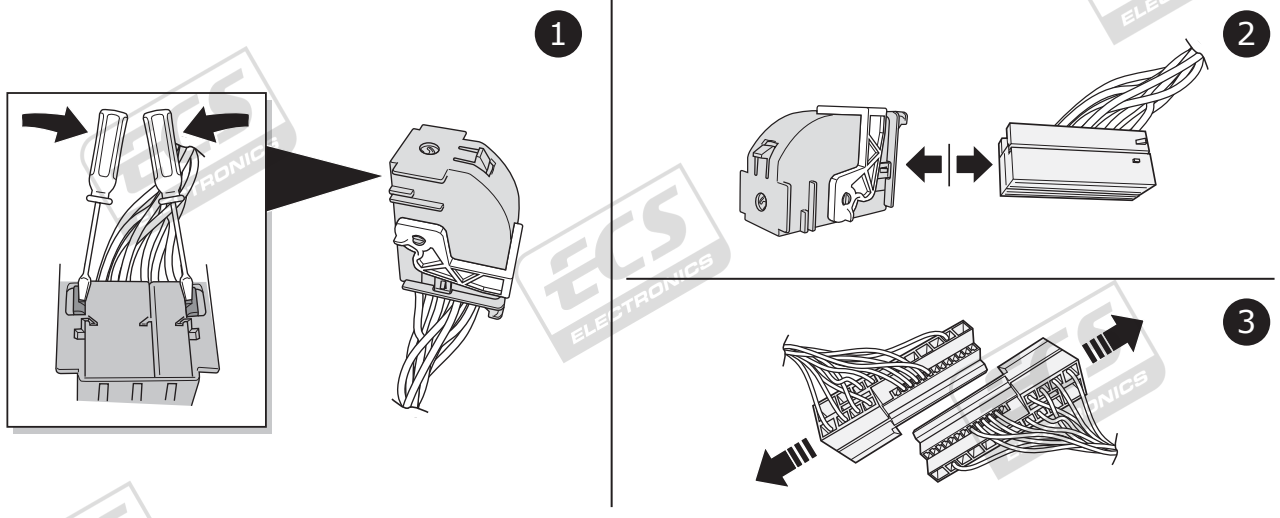
12



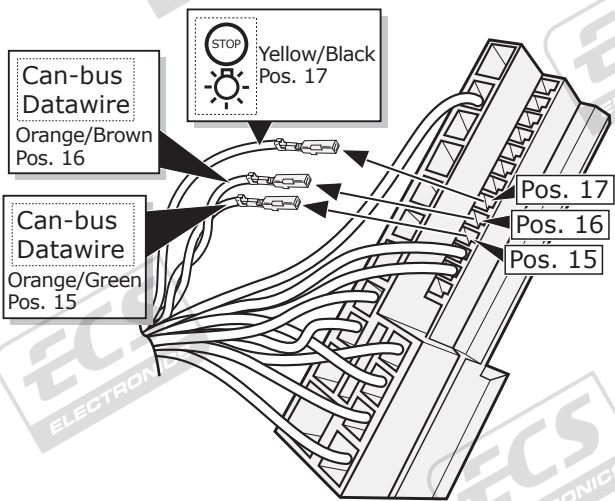
13



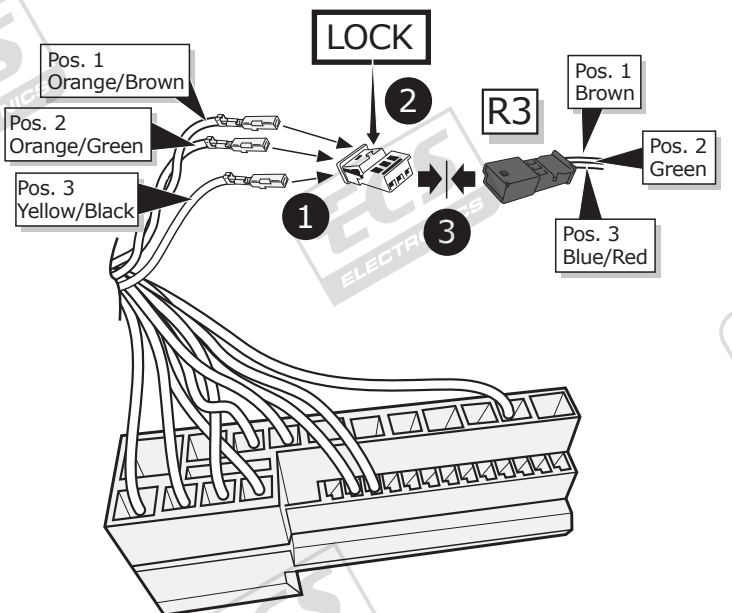
14



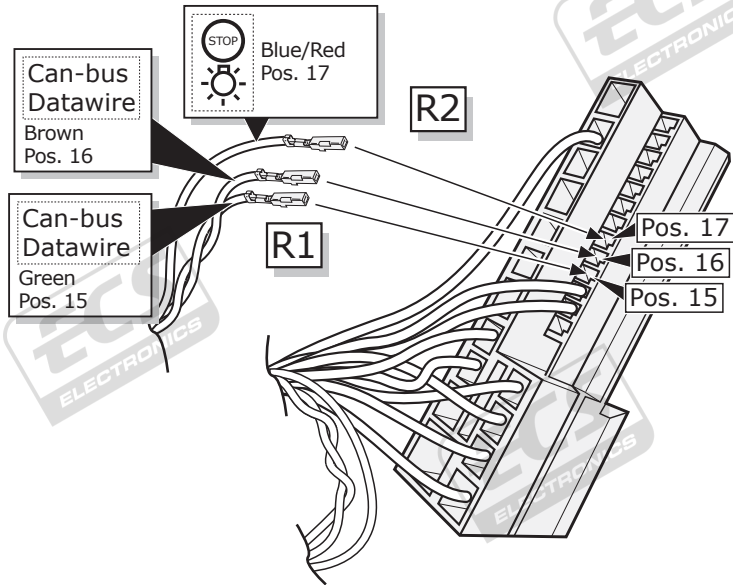
15



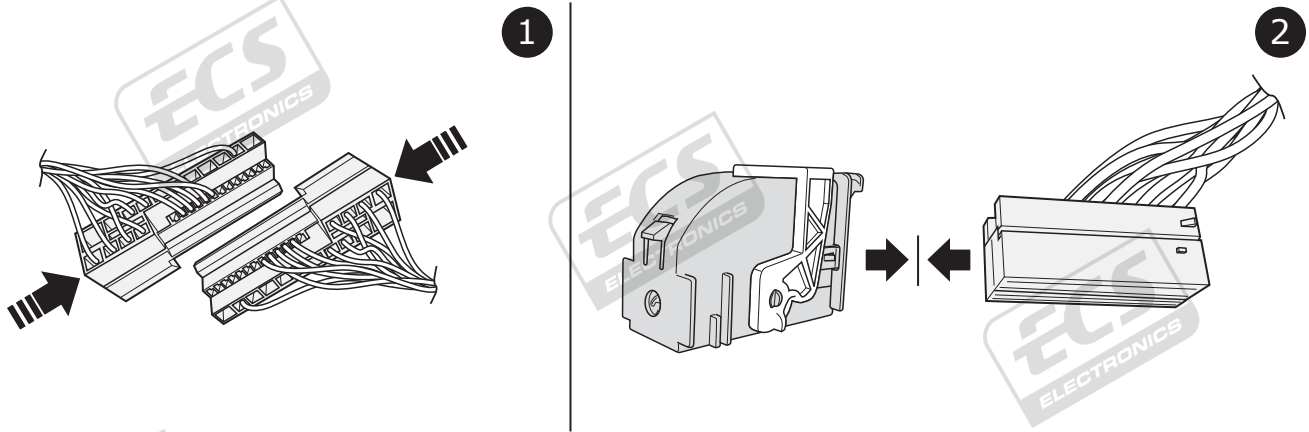
16



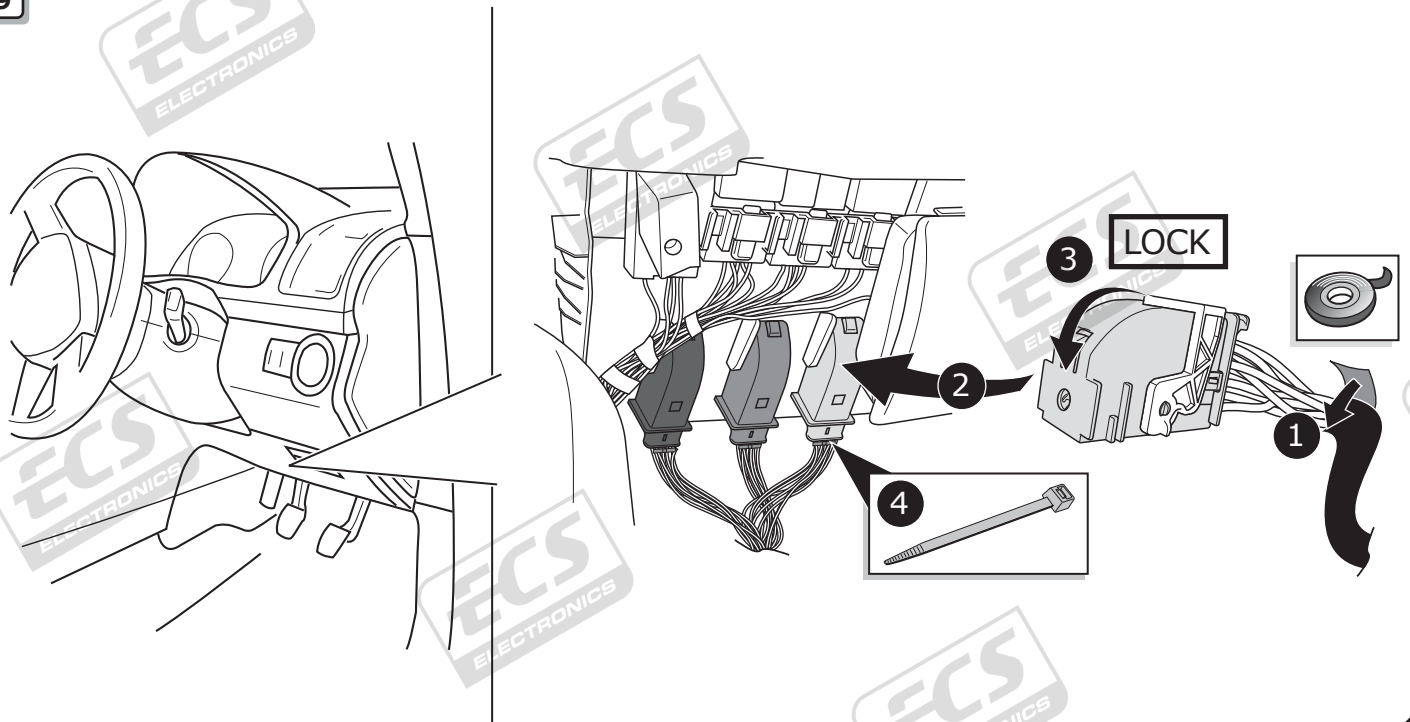
17



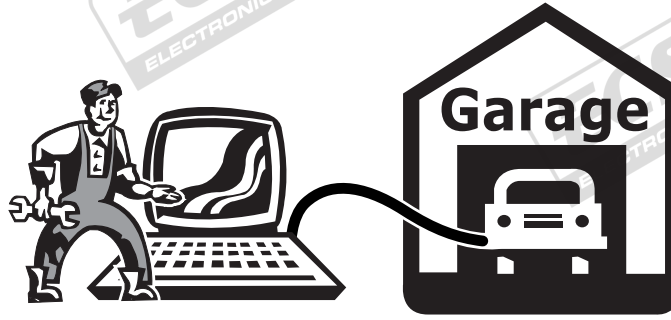
18



19

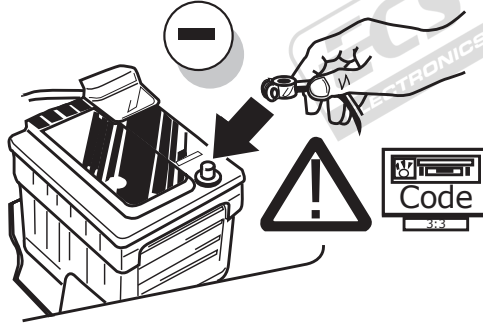


20



A VAG Service Tester must be used to code the vehicle's Gateway with the additional function for the towing hitch at the dealer.

21



22

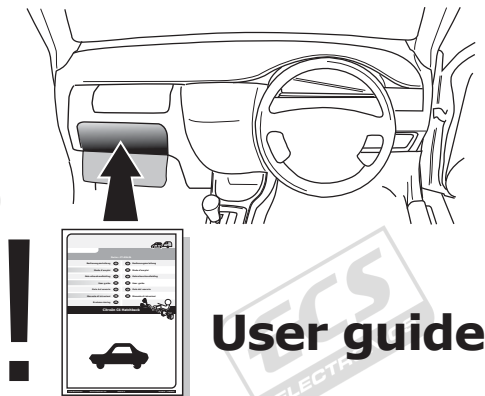


TEST ALL THE CIRCUITS WITH A TEST DEVICE WITH THE CORRECT POWER LOAD FOR EACH FUNCTION. A TEST DEVICE WITH LED'S CANNOT BE USED FOR THIS PURPOSE.

INFO



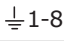







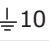
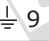
REINSTALL TRIM.

23



A graphic for technical support. It features a headset icon with the text "CALL 07440 202 052". Below it, it says "MONDAY TO FRIDAY 08.00 - 11.00 am 12.00 - 05.00 pm". At the bottom, there is the ECS Electronics logo and contact details: "t.skinner@ecs-electronics.com" and "www.ecs-electronicsuk.co.uk".

SOCKET CONNECTION

DIN/ISO 11446												—	
	1/L	2	3/31	4/R	5/58-R	6/54	7/58-L	8	9	10	11	12	13
Pmax	21W	21W		21W	42W	3x21W	42W	21W	180W/15Amp	180W/15Amp			
Colour	Black/ White	Blue	Brown	Black/ Green	Grey/ Red	Black/ Red	Grey/ Black	Black	Red	Yellow	Brown	Red/ Blue	Brown