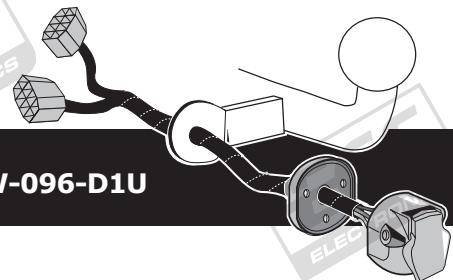


Volkswagen

- Eos 01/2006>>
- Golf V 10/2003-09/2008
- Golf V Variant 06/2007-08/2009
- Golf V Plus 01/2005-02/2009
- CrossGolf 01/2007-
- Golf VI 10/2008-10/2012
- Golf VI Variant 09/2009-07/2013
- Golf VI Plus 03/2009>>
- Jetta 08/2005-12/2010
- Jetta 01/2011-
- Tiguan I 11/2007-03/2016



Partnr.: VW-096-D1U

- Fitting instructions electric wiring kit tow bar with 13-P socket up to DIN/ISO Norm 11446.
- We would expressly point out that assembly not carried out properly by a competent installer will result in cancellation of any right to damage compensation, in particular those arising by virtue of the product liability act.
- Contents of these kits and their fitting manuals are subject to alteration without notice, please ensure that these instructions are read and fully understood before commencing installation.
- Do not overload circuits; the maximum loads per connection are detailed in this manual.
- Attention! Before Installation, please read this manual carefully and inform your customer to consult the vehicle owners manual to check for any vehicle modifications required before towing.
- In the event of functional problems, troubleshooting must be limited to about 0.5 hours, contact the technical support:
t.skinner@ecs-electronics.com / 07440 202 052.

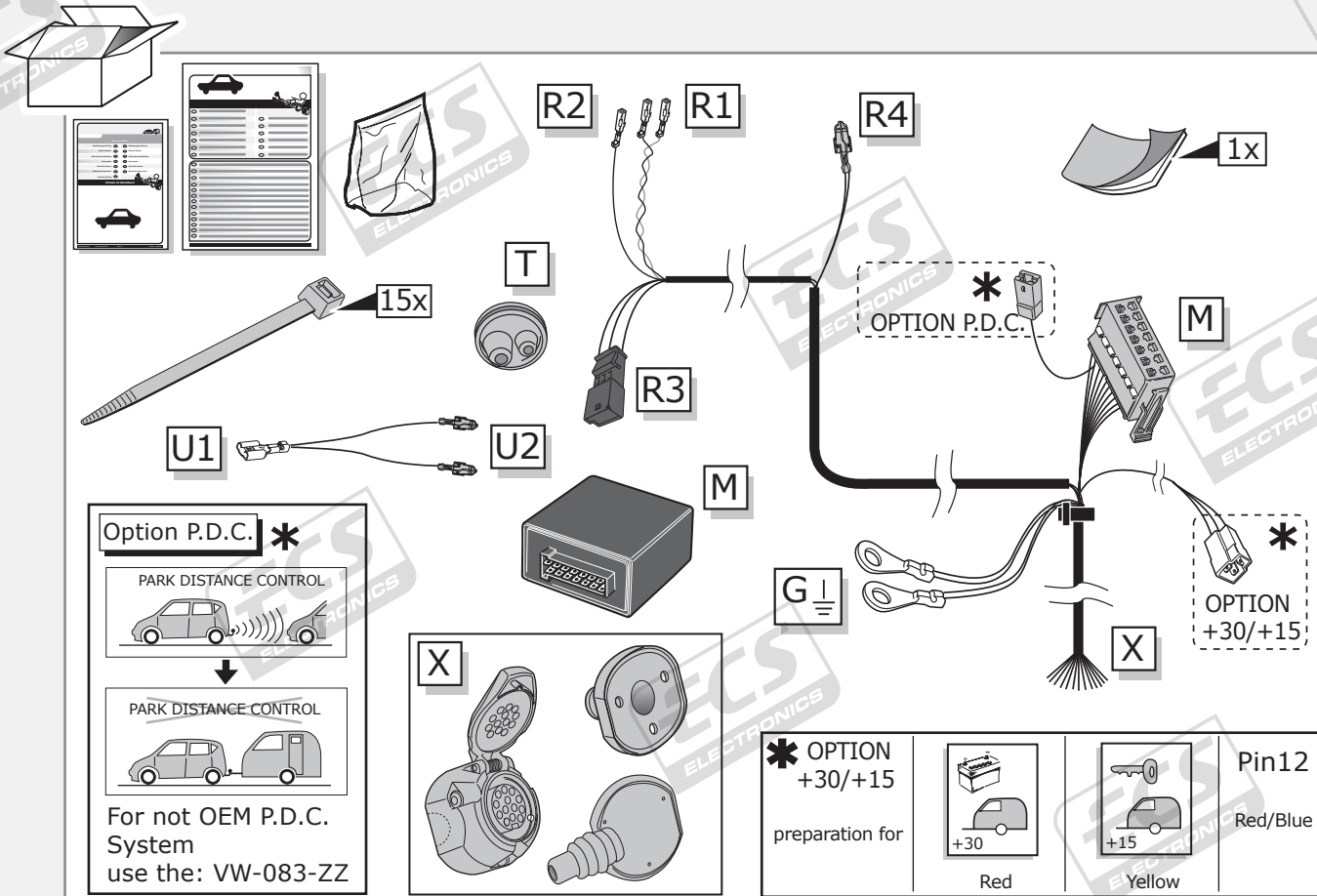
TECHNICAL SUPPORT

CALL
07440
202
052

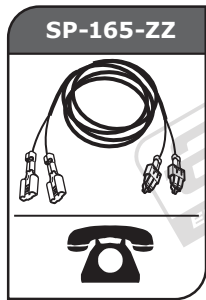
ECS ELECTRONICS

MONDAY TO FRIDAY
08.00 - 11.00 am
12.00 - 05.00 pm
t.skinner@ecs-electronics.com
www.ecs-electronicsuk.co.uk

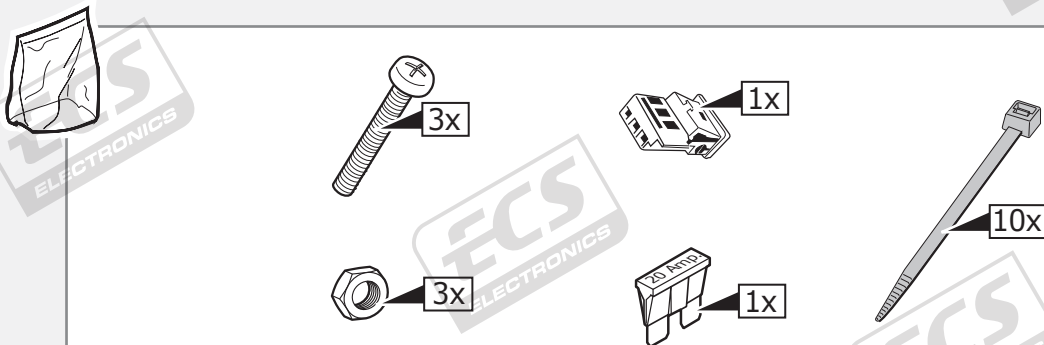
Part list



Option *
+30/+15 extension kit

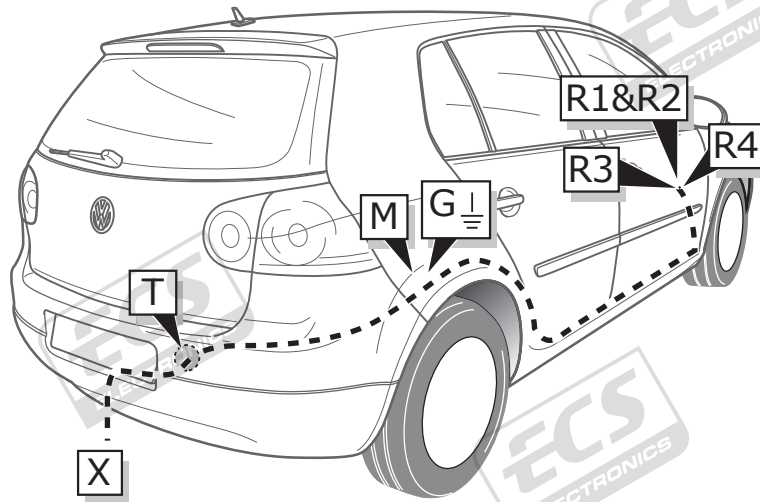


Consult your supplier.



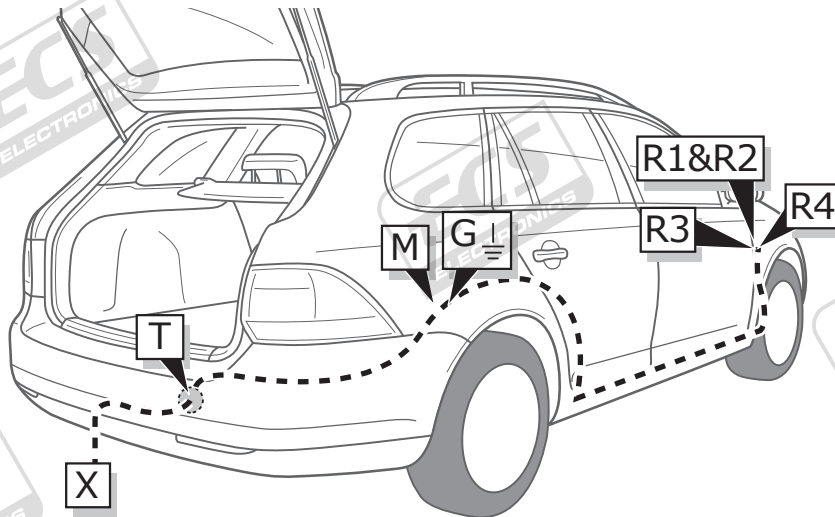
Golf V / Golf VI / Golf VI Plus

ROUTING



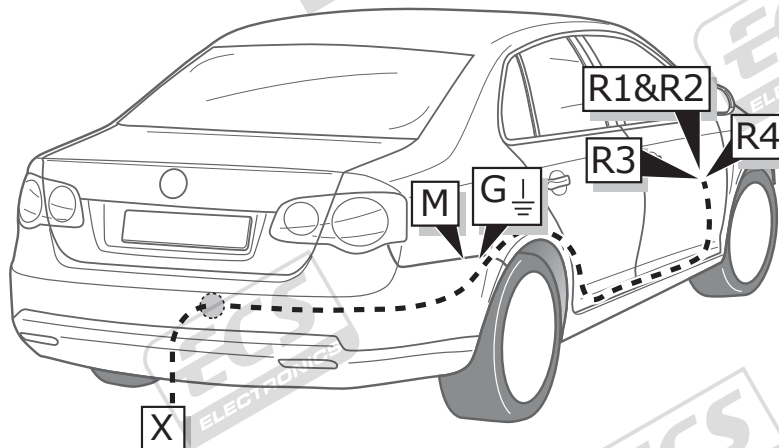
Golf V Variant / Golf VI Variant

ROUTING



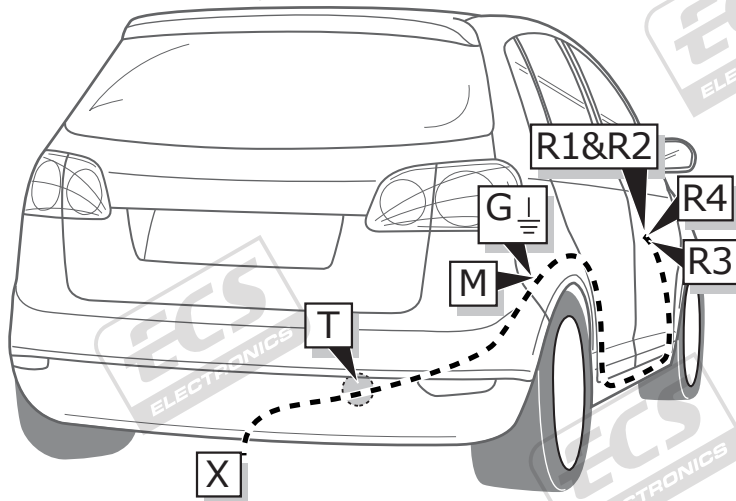
Jetta

ROUTING



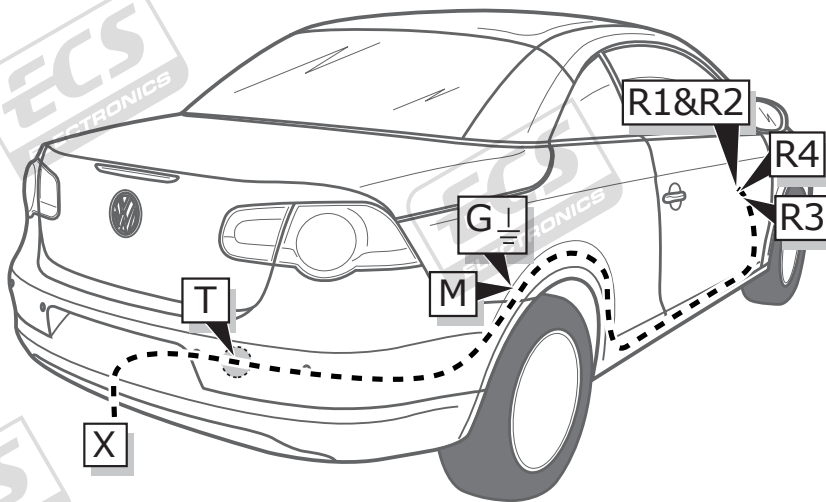
Golf V Plus / CrossGolf / Tiguan

ROUTING



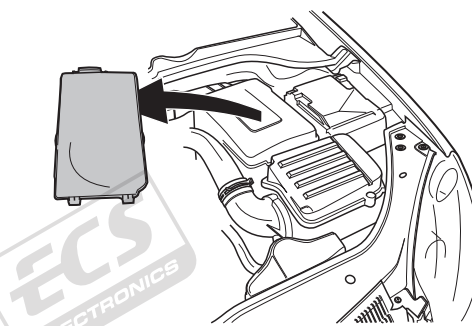
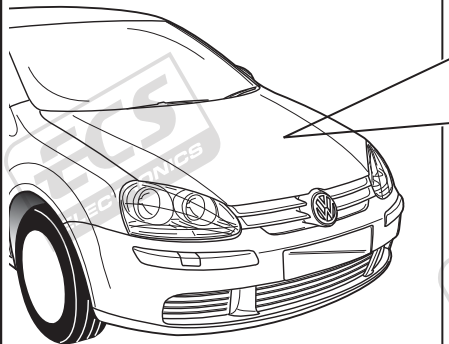
Eos

ROUTING



Golf V / Golf V Plus / Golf V Variant / Golf VI / Golf VI Variant / CrossGolf / Jetta / Tiguan / Golf VI Plus / Eos

1



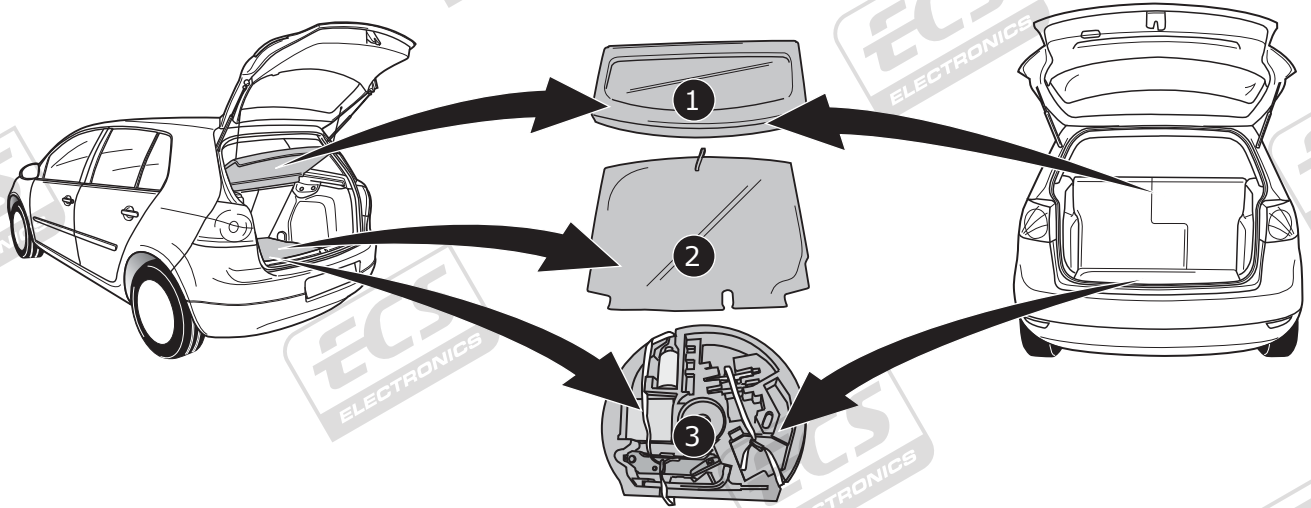
1



2

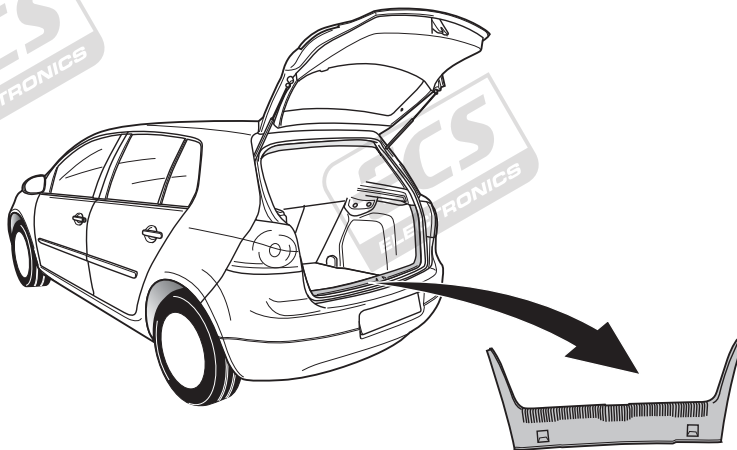
Golf V / Golf VI / Golf V Plus / CrossGolf / Golf VI Plus

2



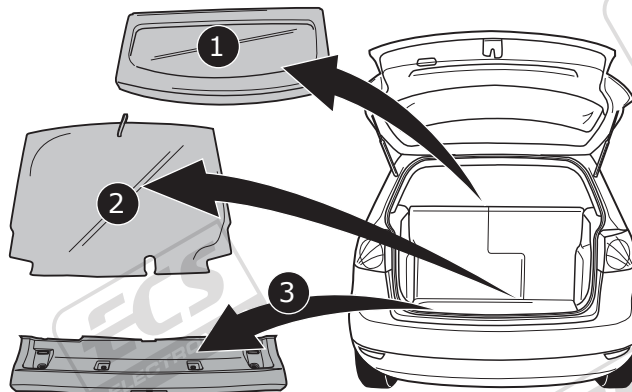
Golf V / Golf VI / Golf VI Plus

3



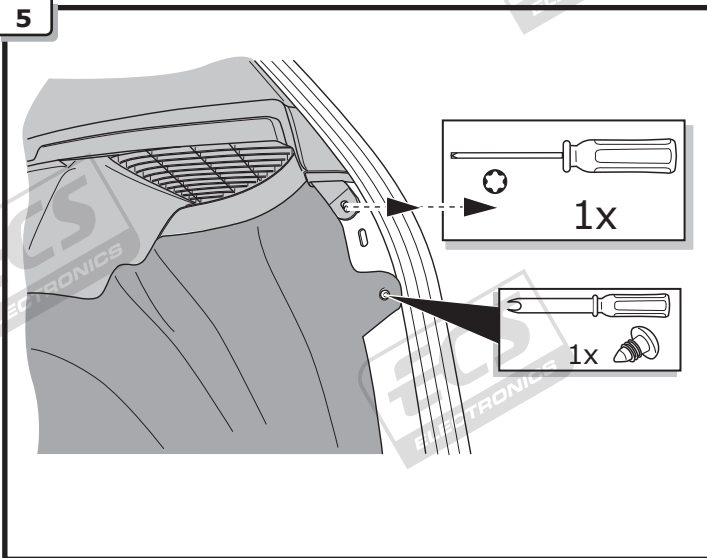
Tiguan

4

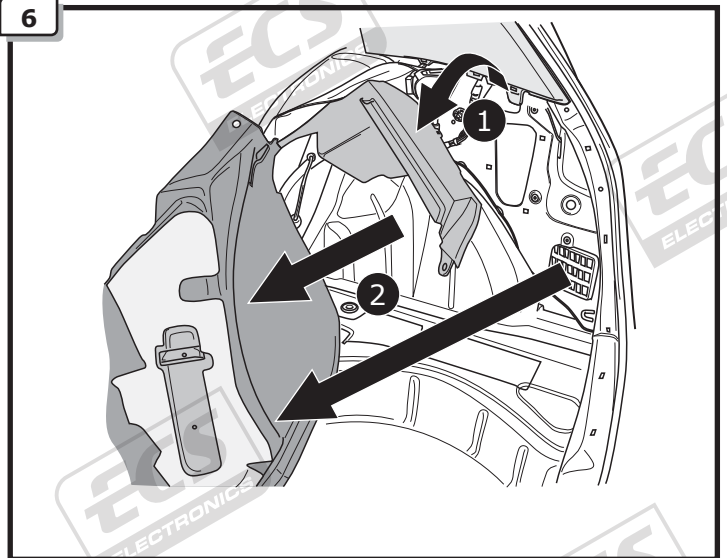


Golf V / Golf VI / Golf V Plus / CrossGolf

5

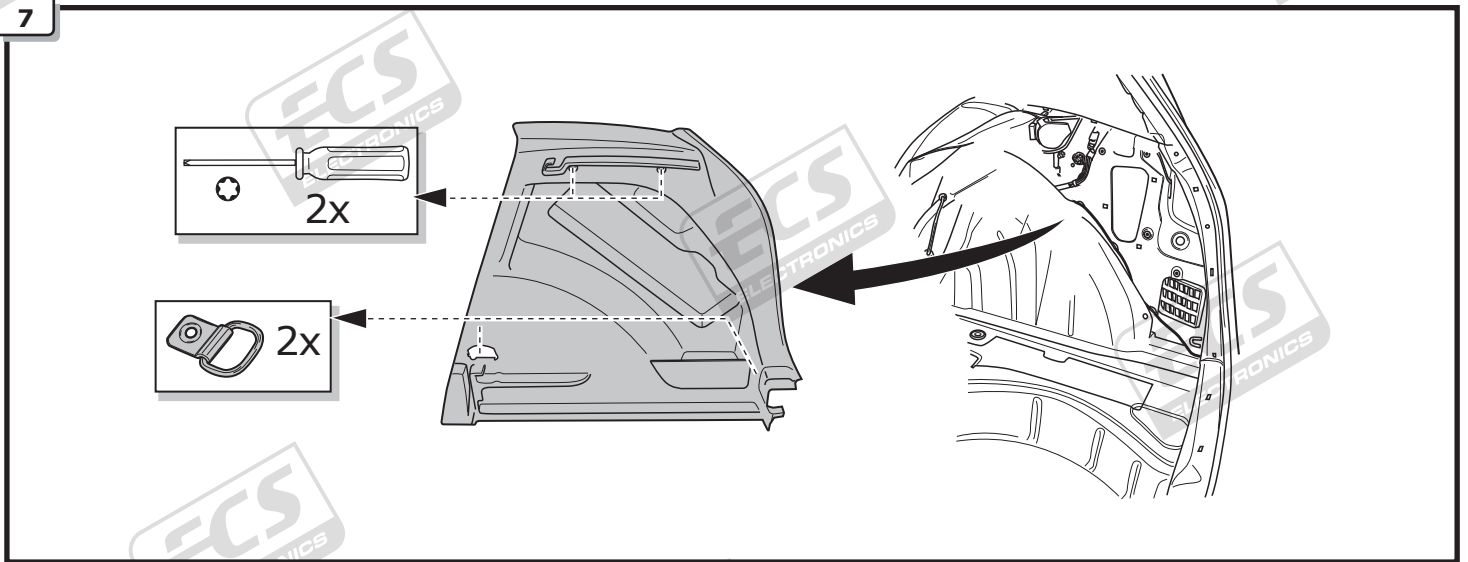


6



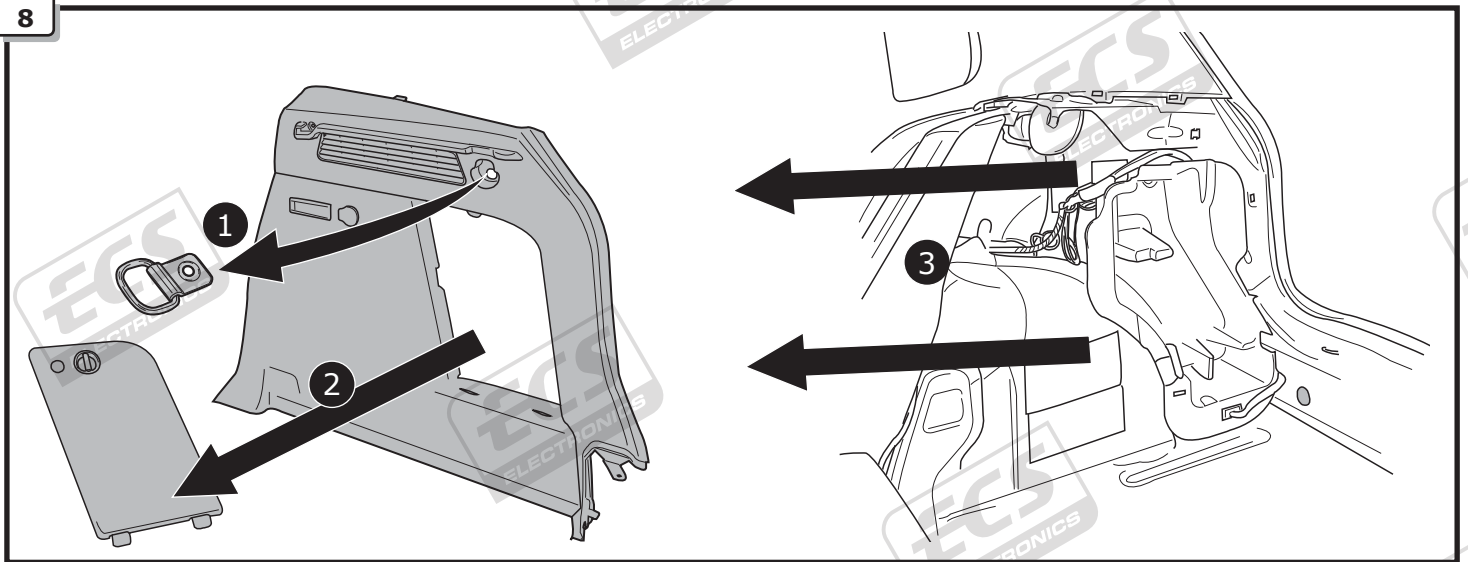
Golf VI Plus

7



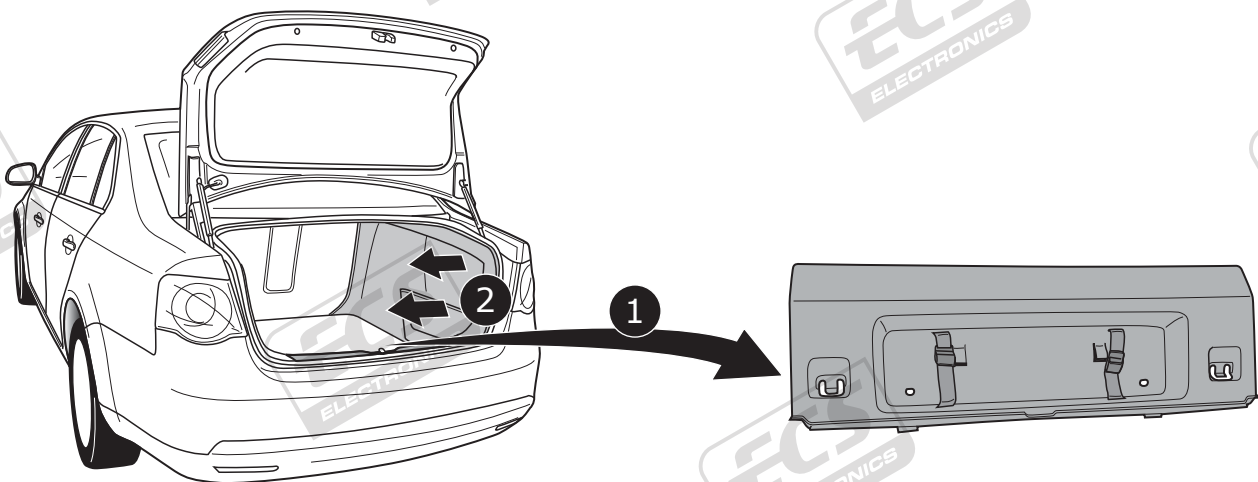
Tiguan

8



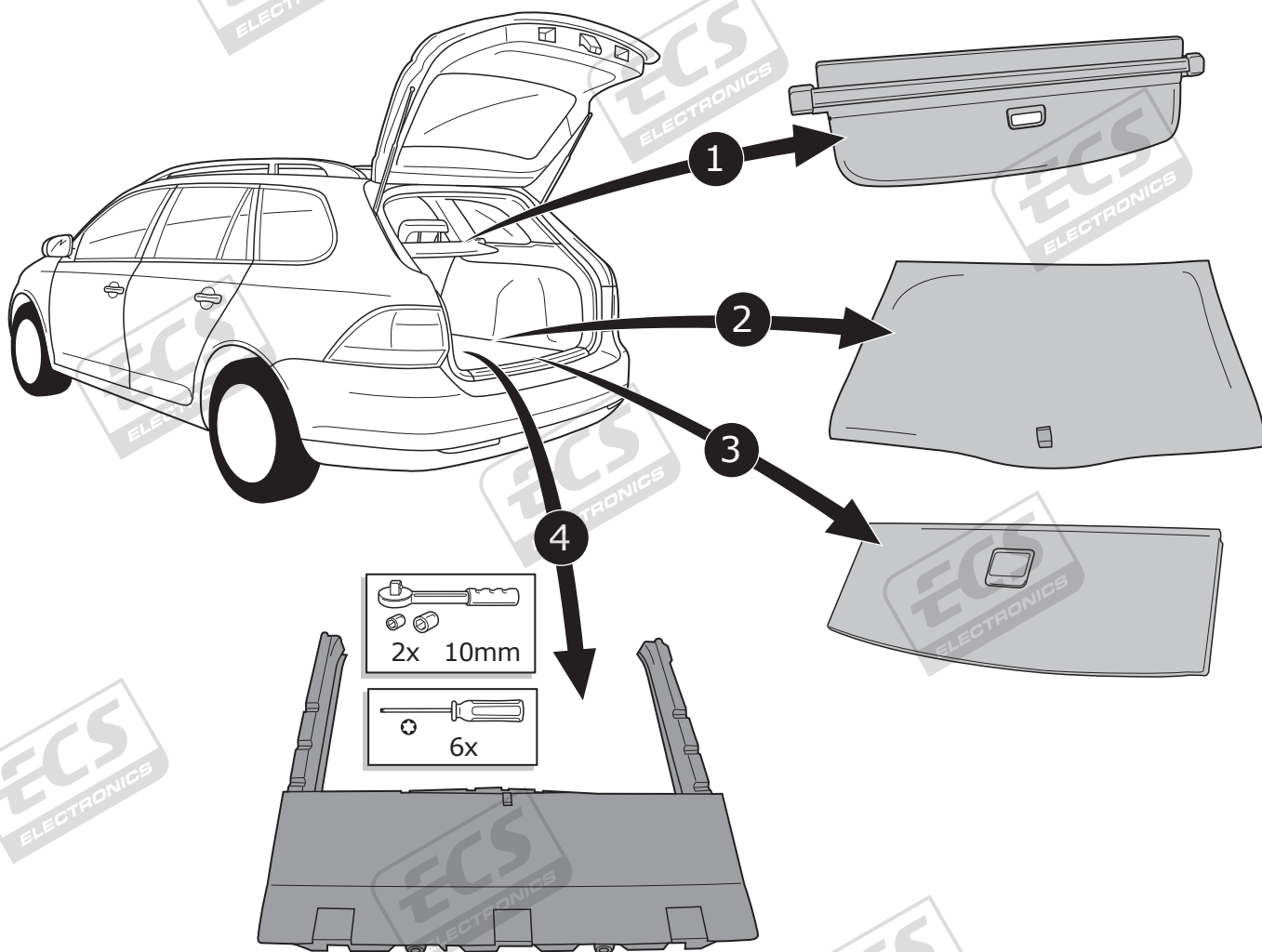
Jetta

9

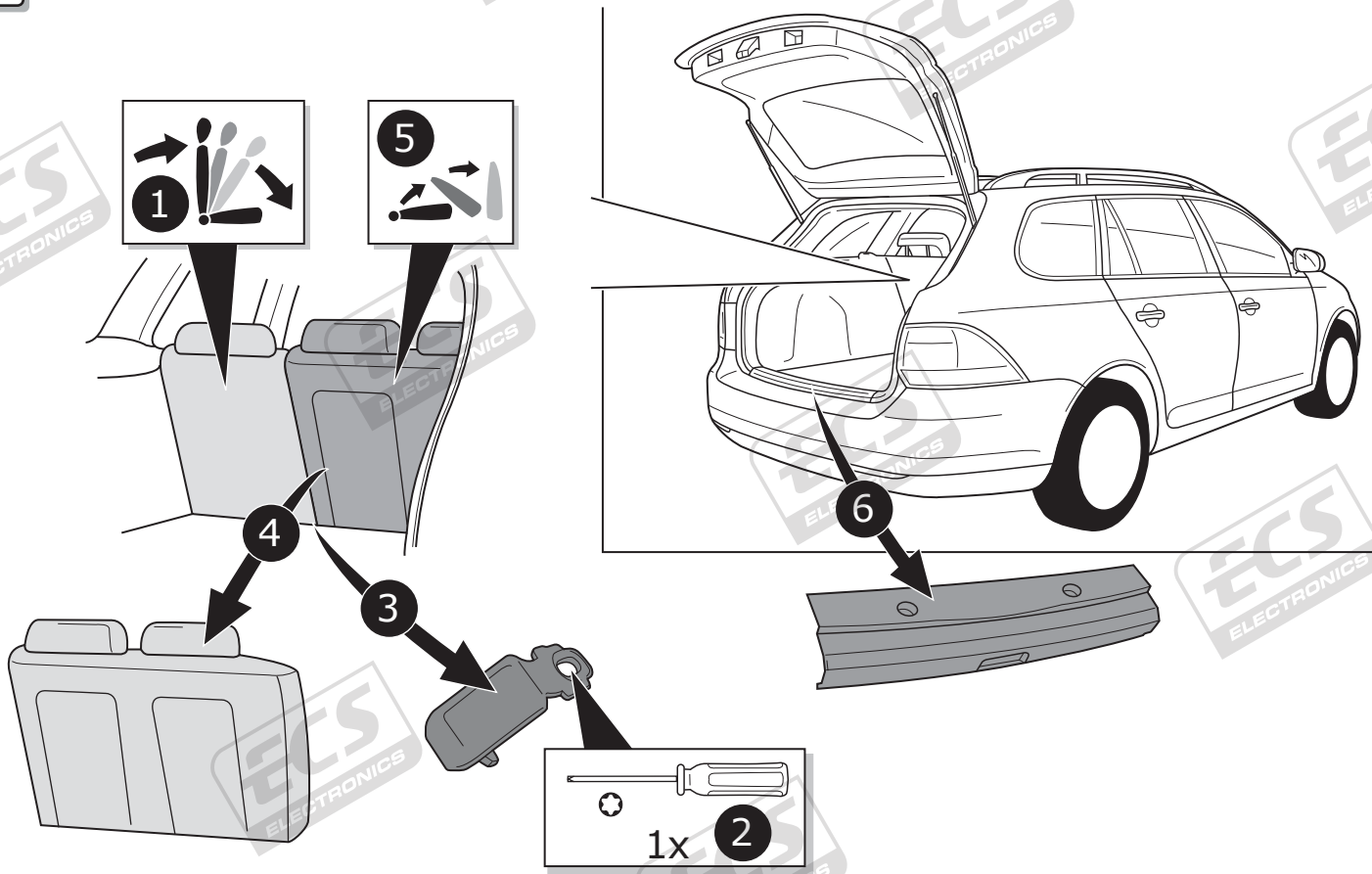


Golf V Variant / Golf VI Variant

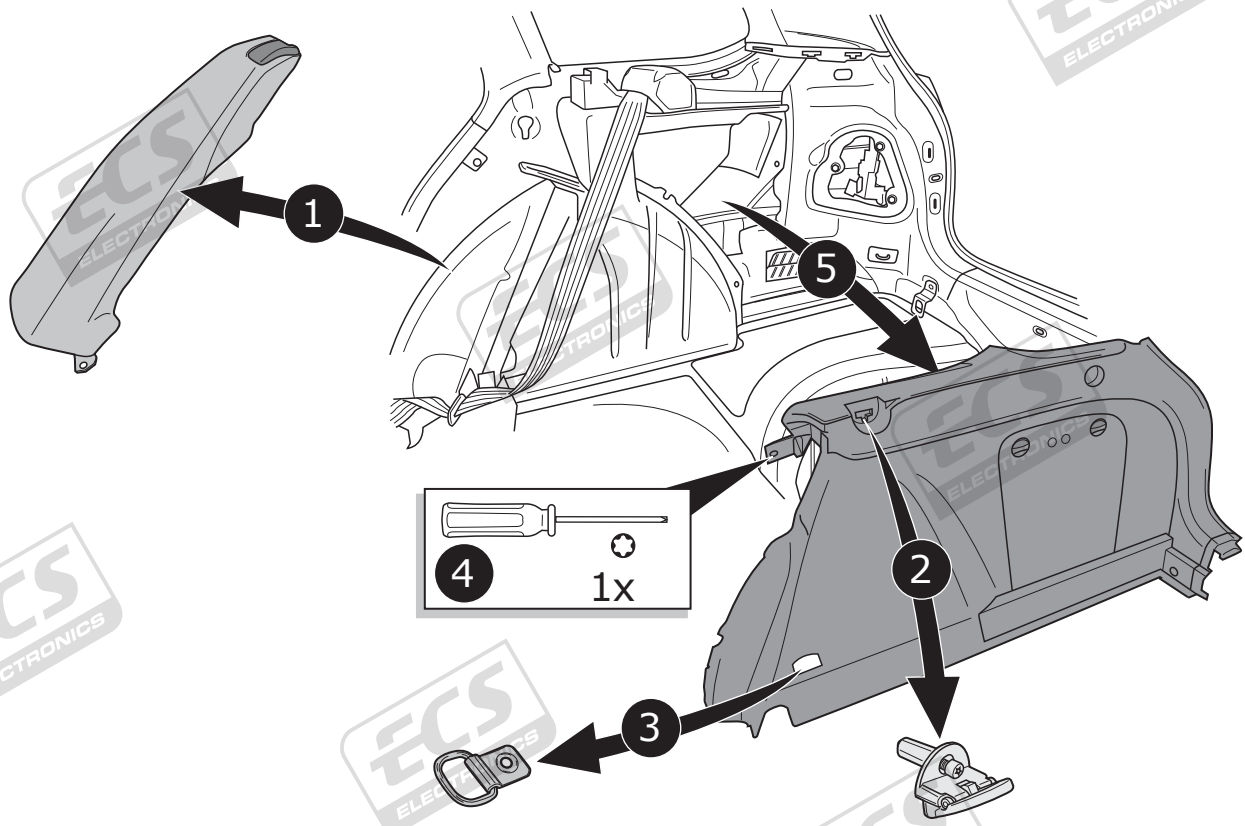
10



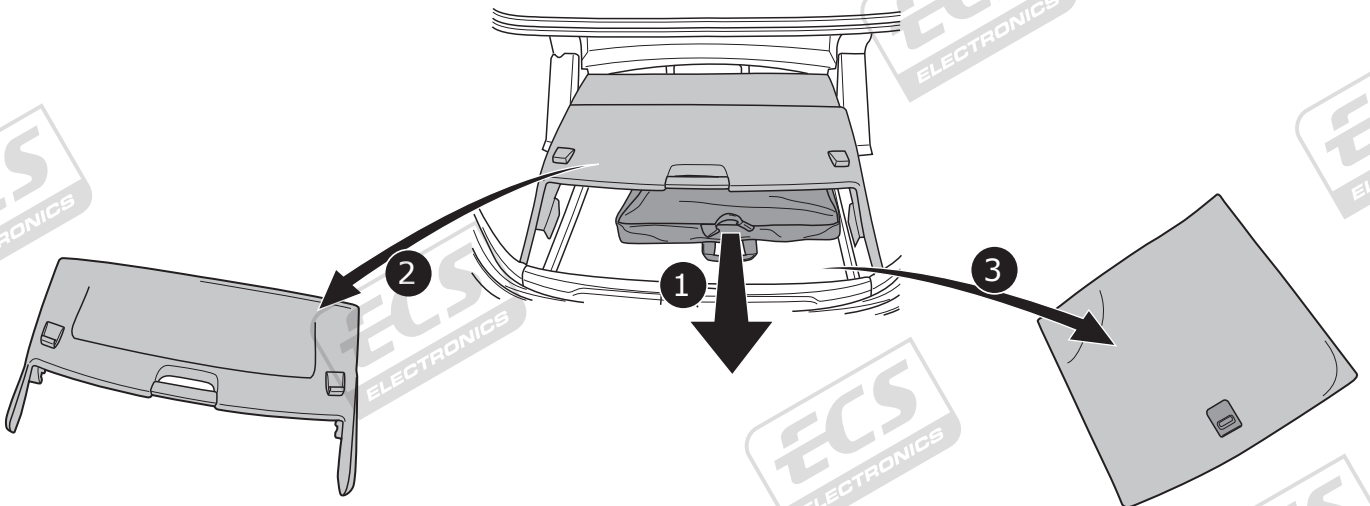
11



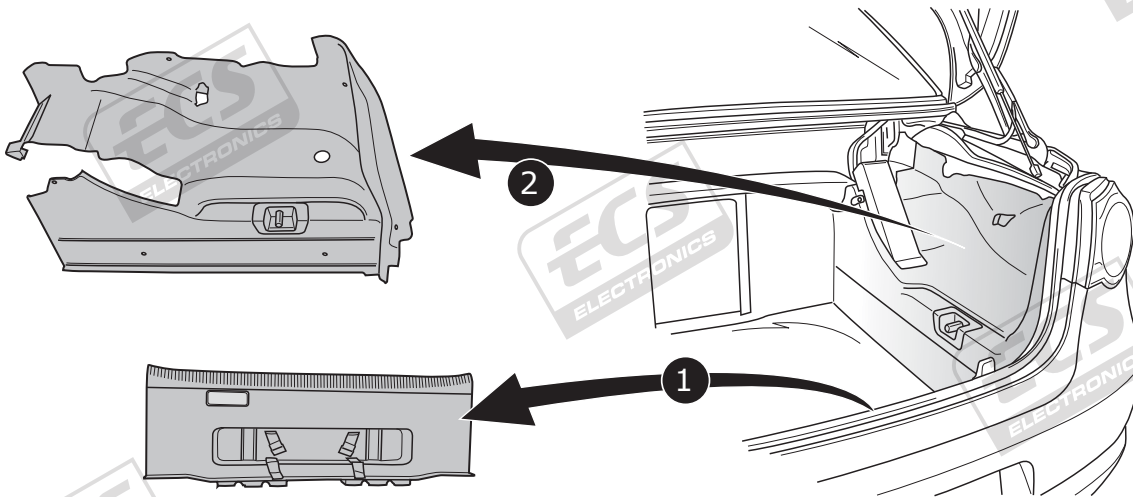
12



13

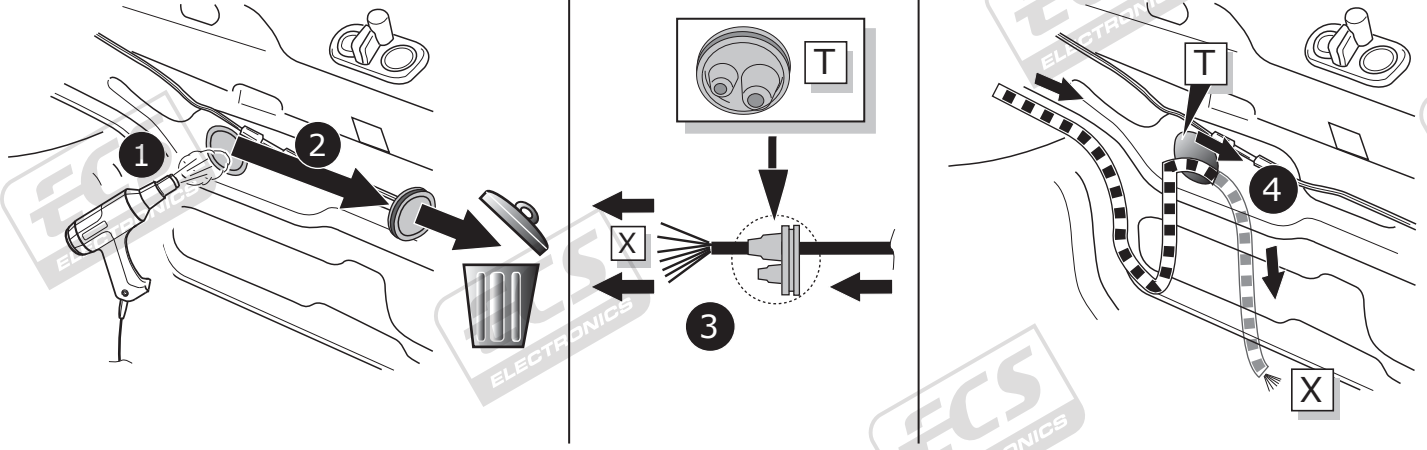


14



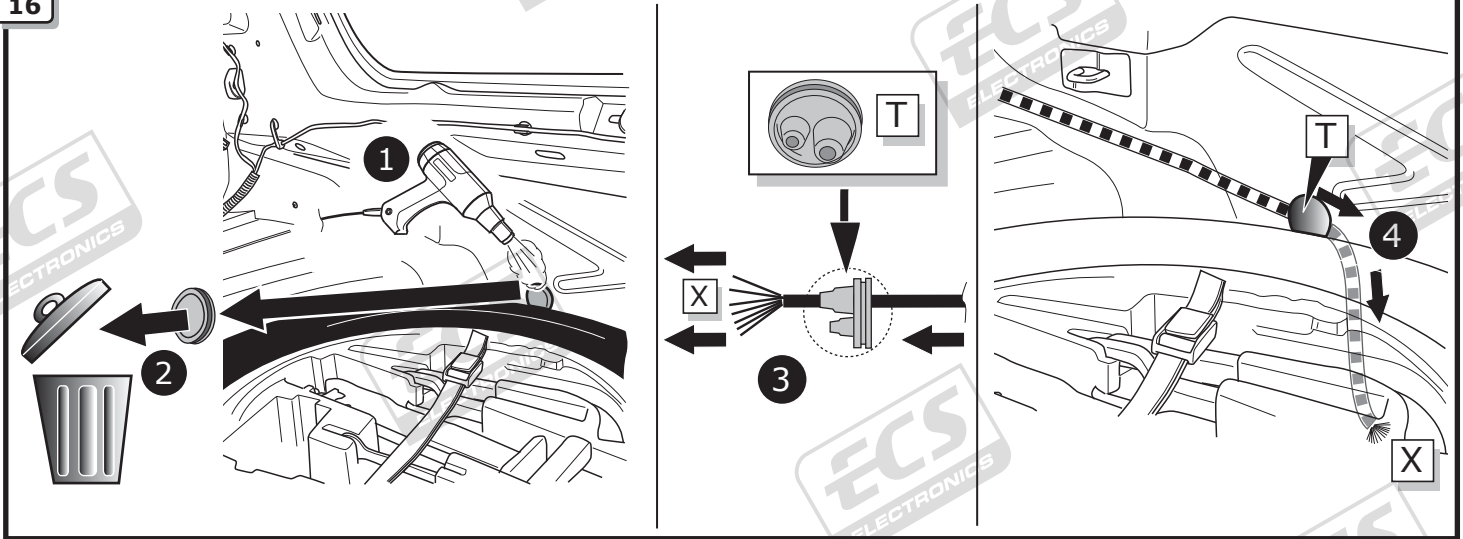
Golf V / Golf VI / Golf VI Variant / Golf V Plus / Golf V Variant / CrossGolf / Golf VI Plus

15



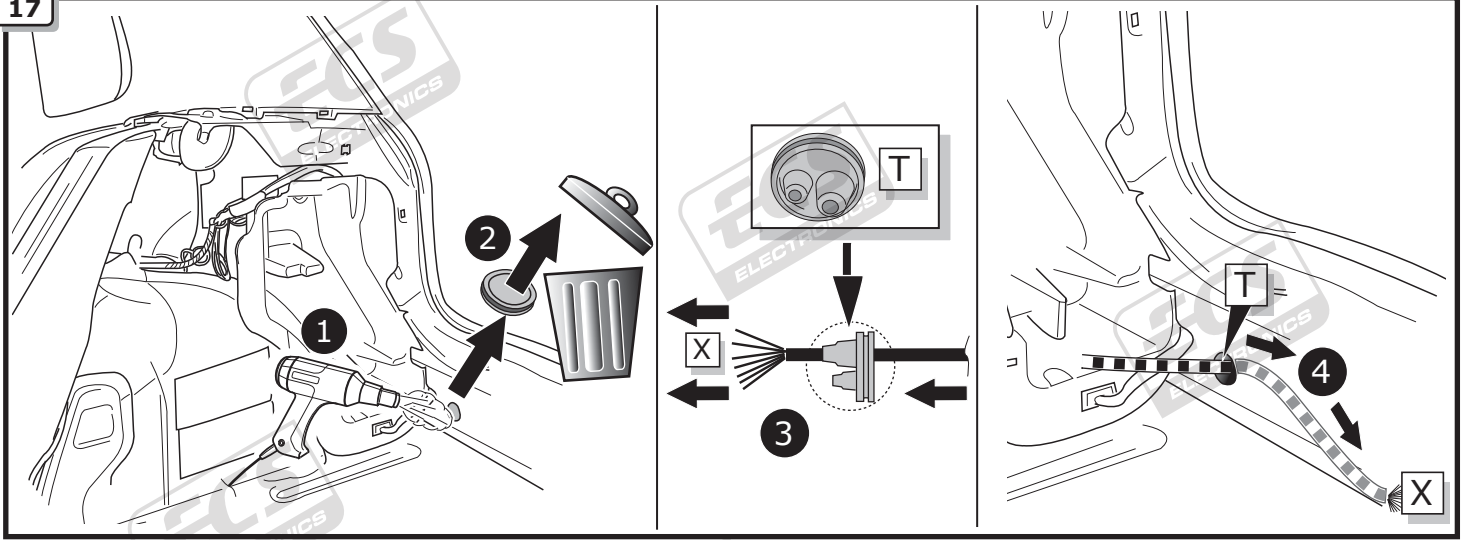
Jetta

16



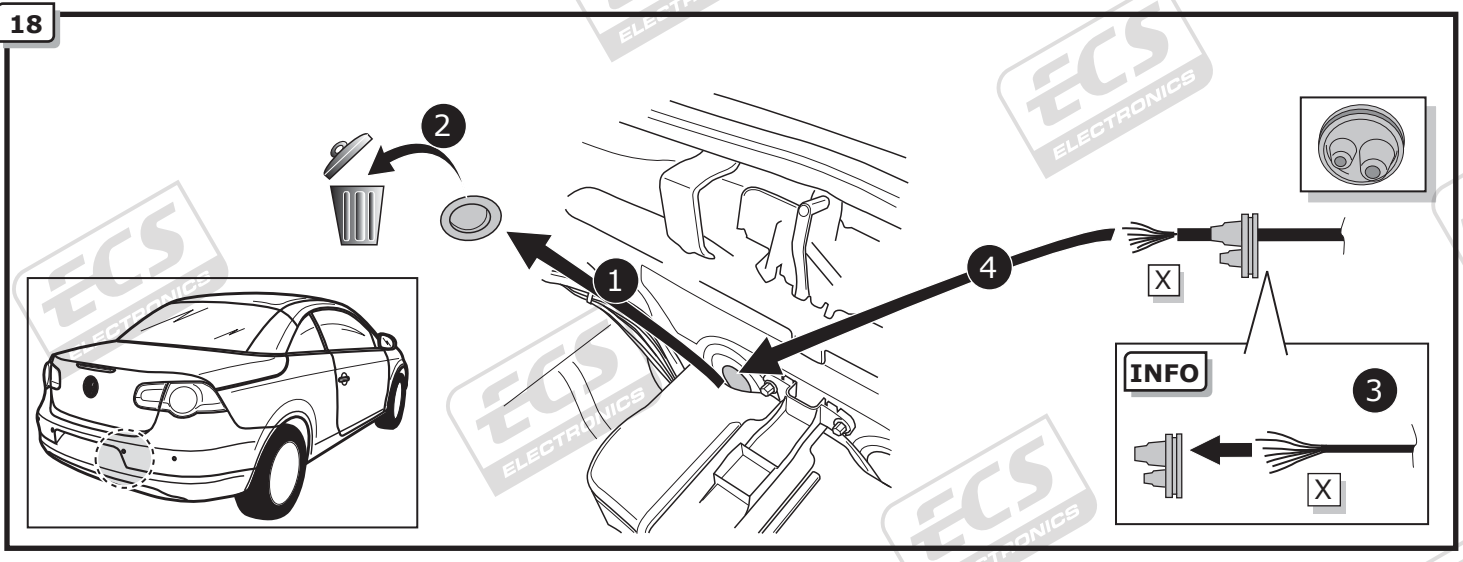
Tiguan

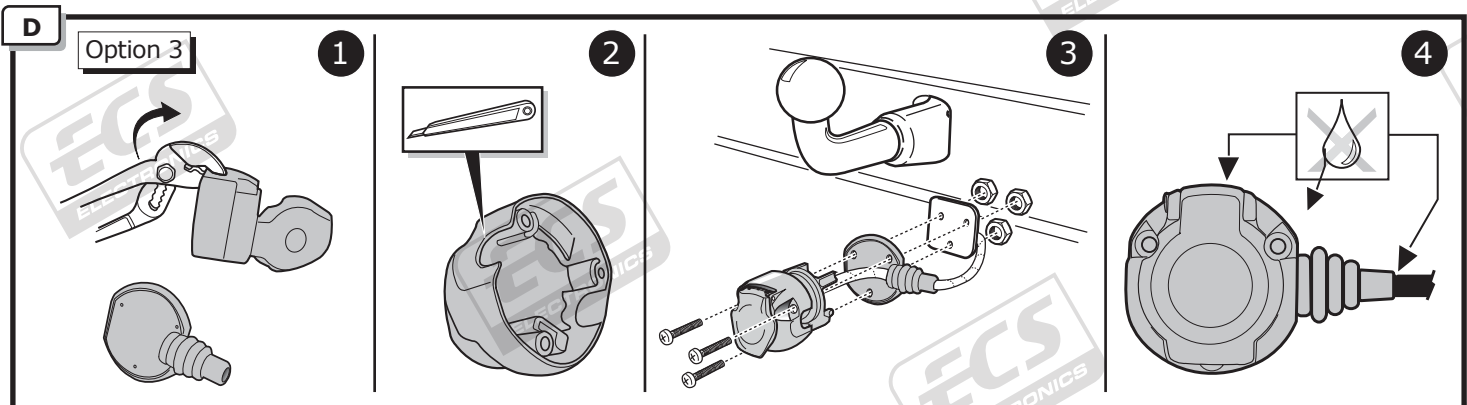
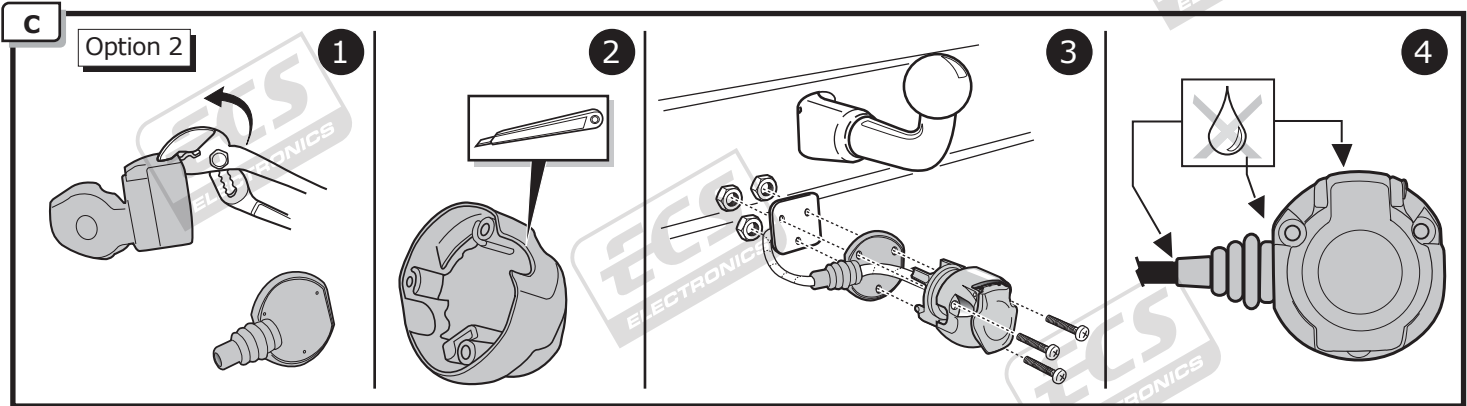
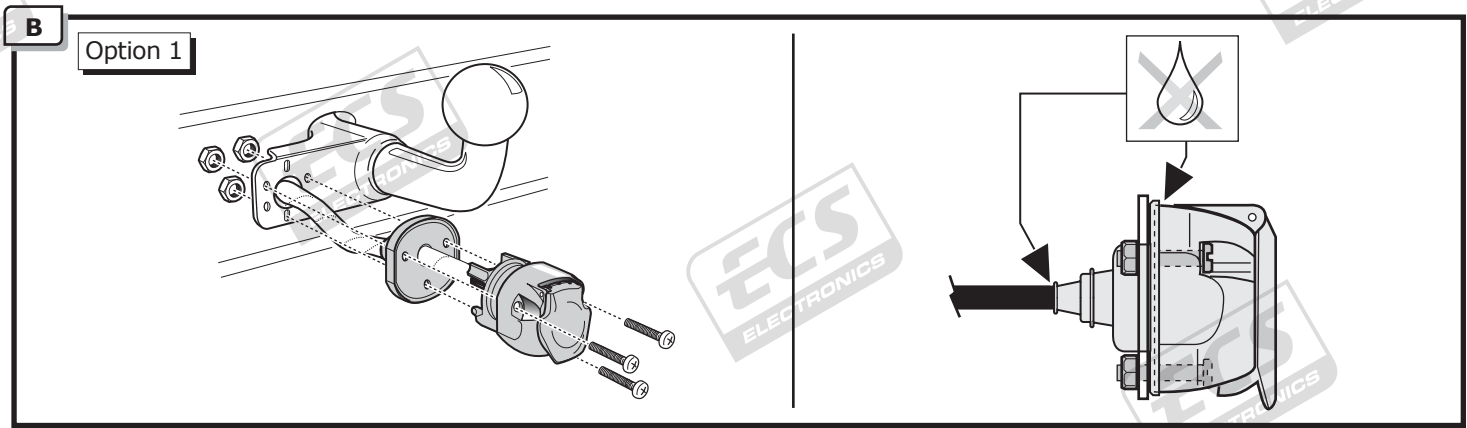
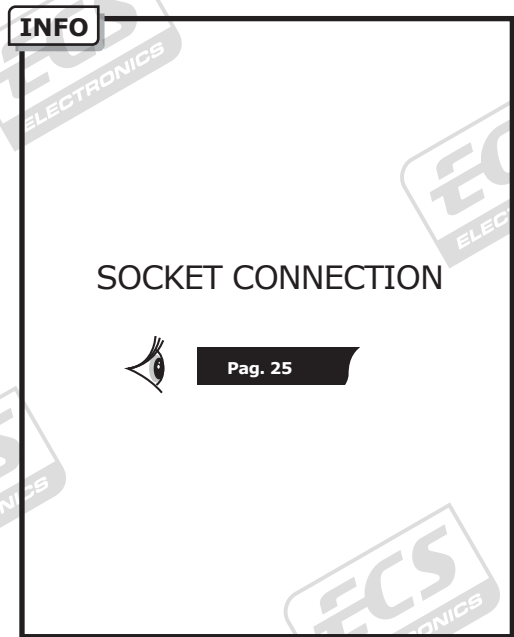
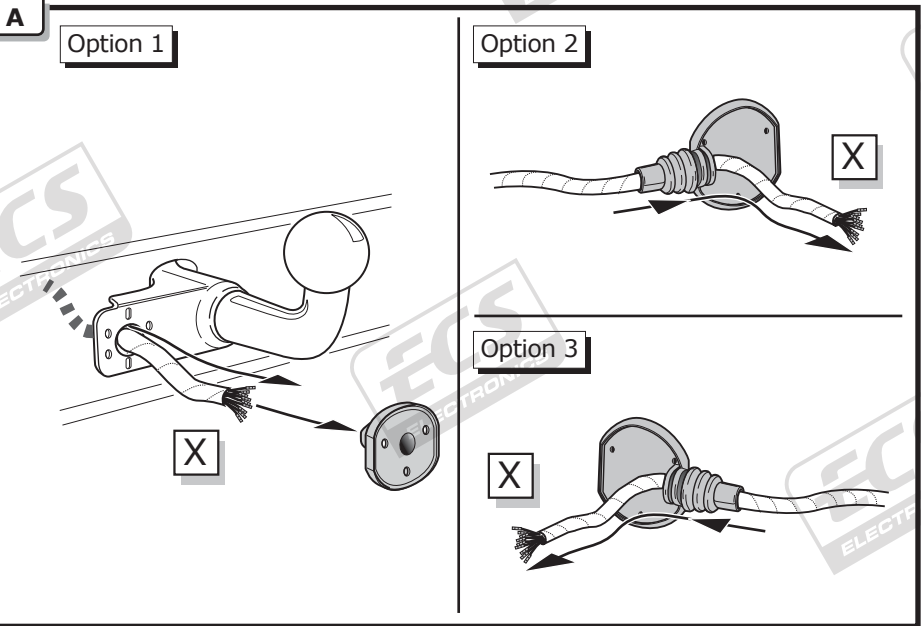
17



Eos

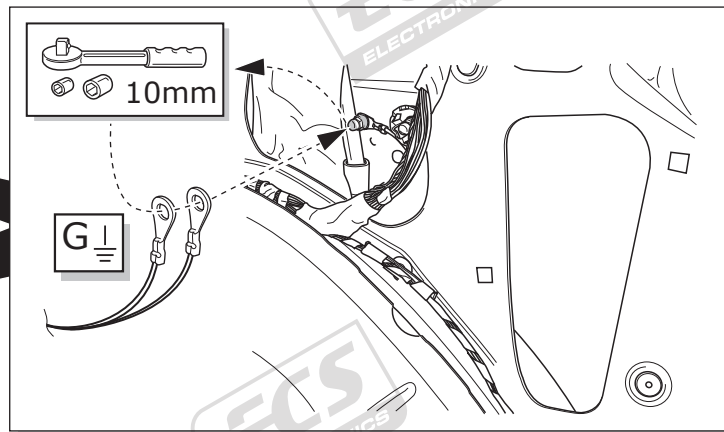
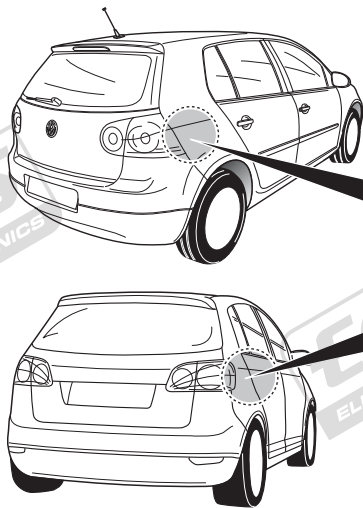
18





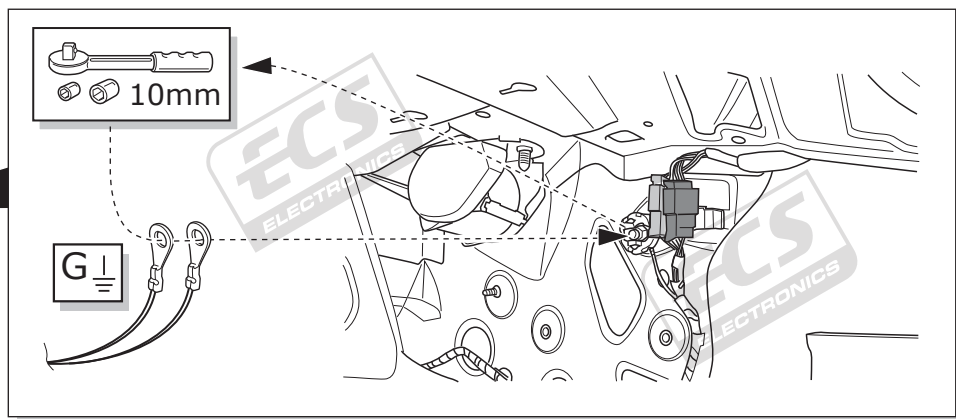
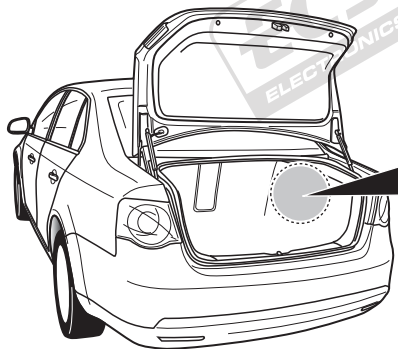
Golf V / Golf VI / Golf V Plus / CrossGolf / Golf VI Plus

19



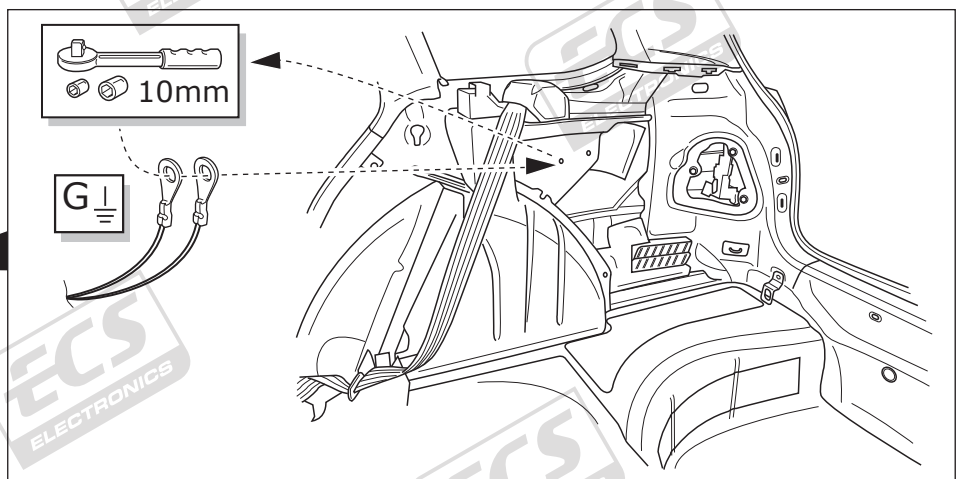
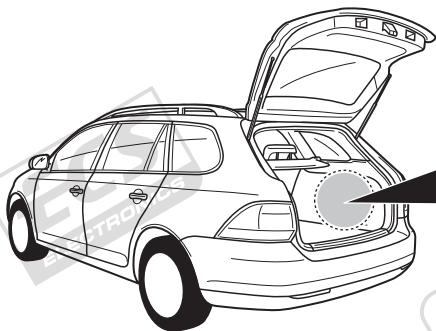
Jetta

20



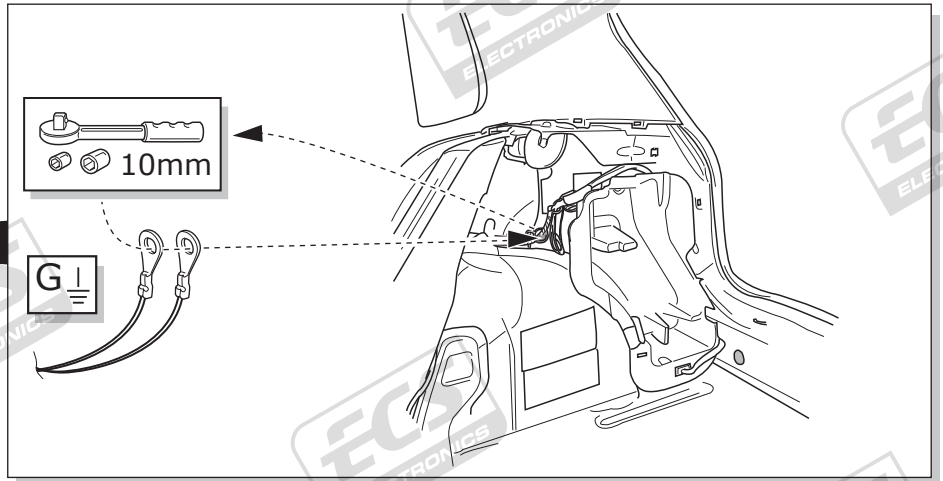
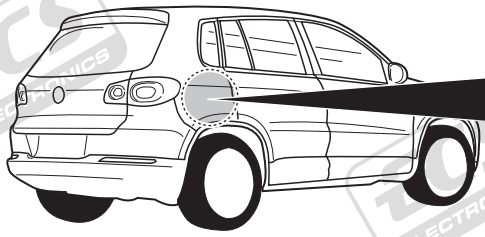
Golf V Variant / Golf VI Variant

21



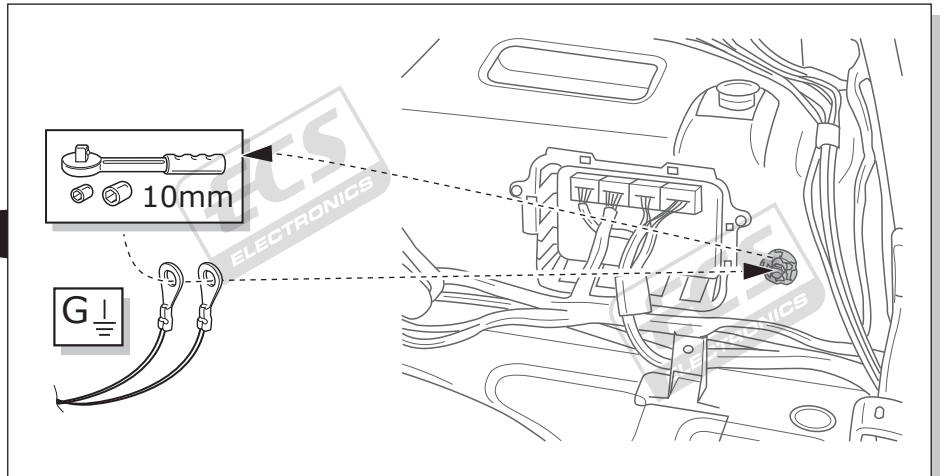
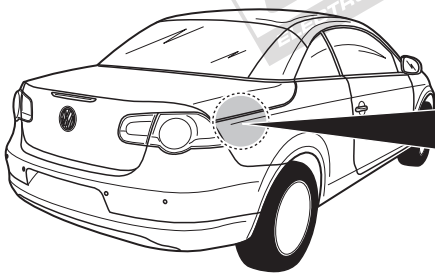
Tiguan

22



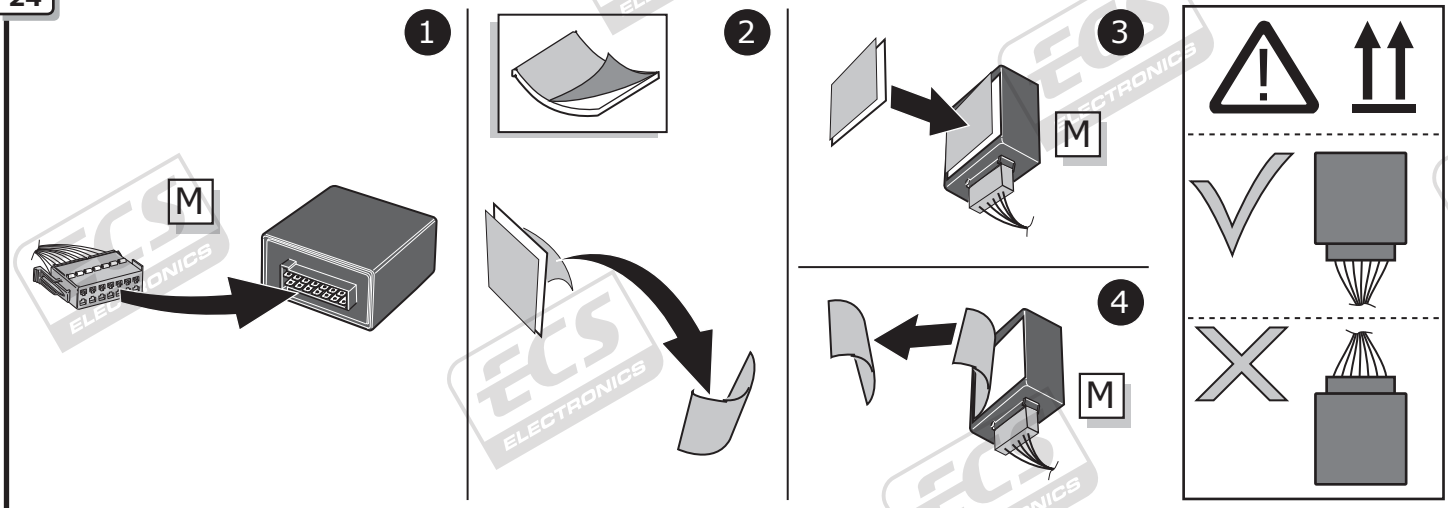
Eos

23

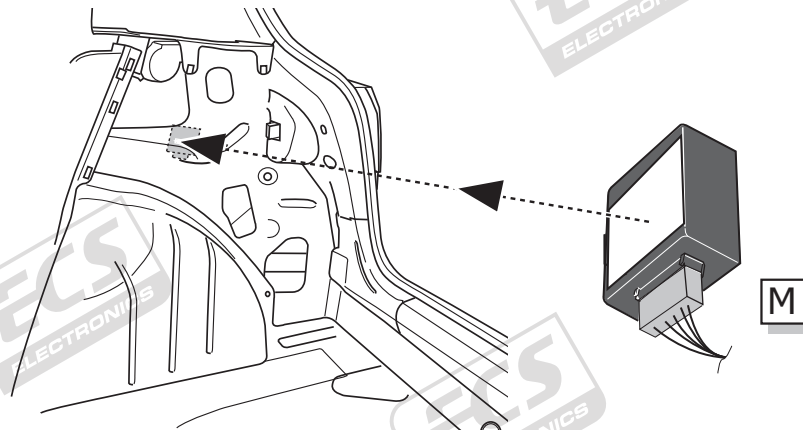


Golf V / Golf VI / Golf VI Variant / Golf V Plus / Golf V Variant / CrossGolf / Jetta / Tiguan / Golf VI Plus / Eos

24

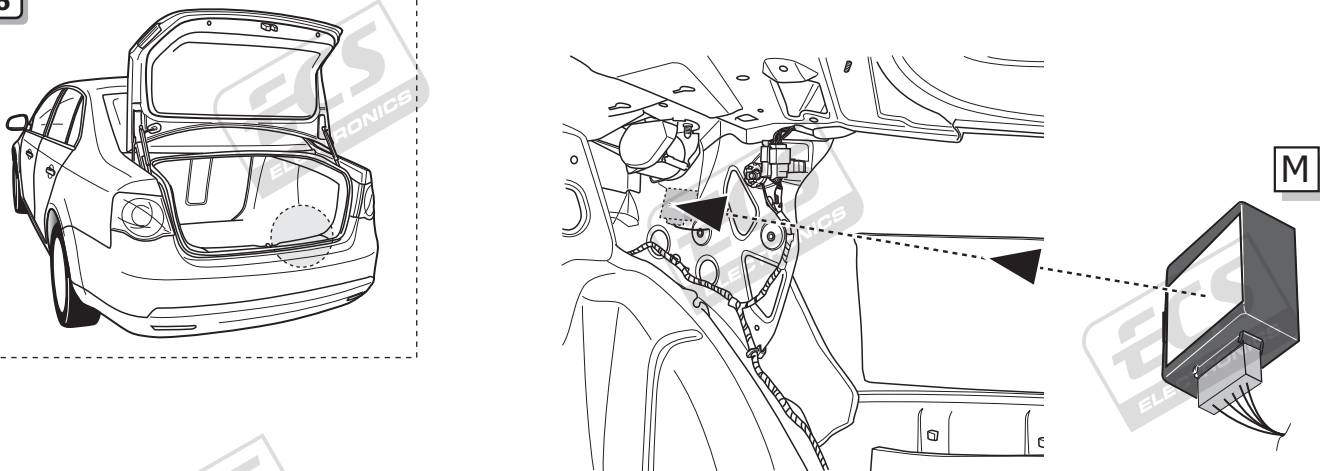


25



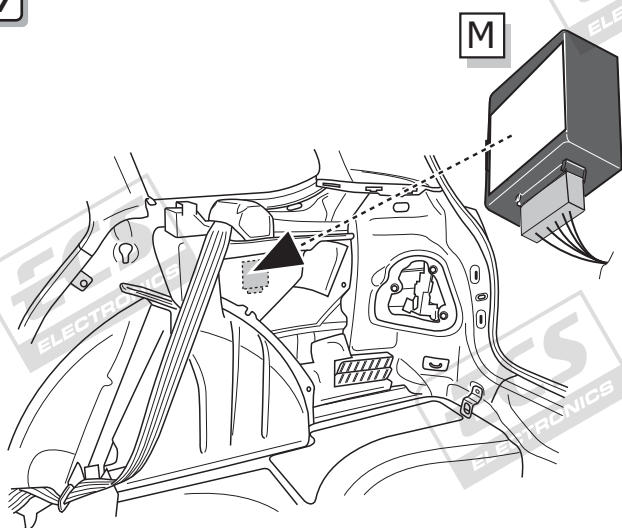
Jetta

26



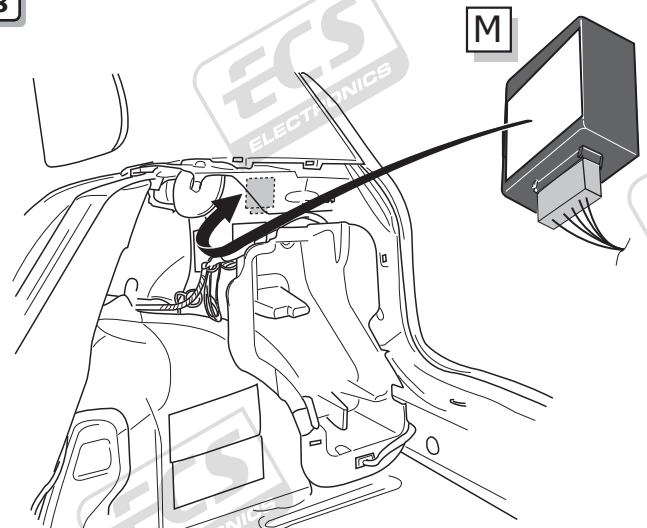
Golf V Variant

27

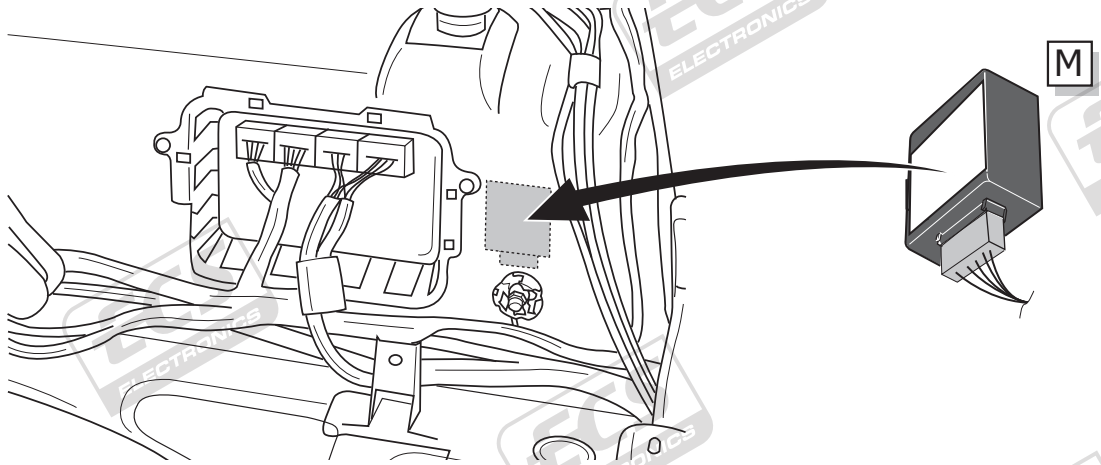


Tiguan

28

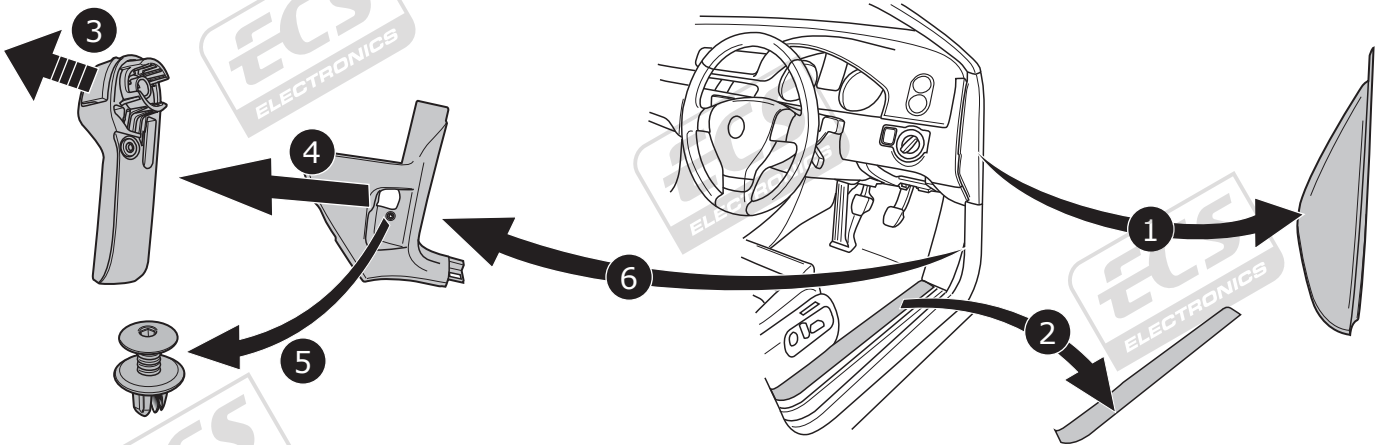


29



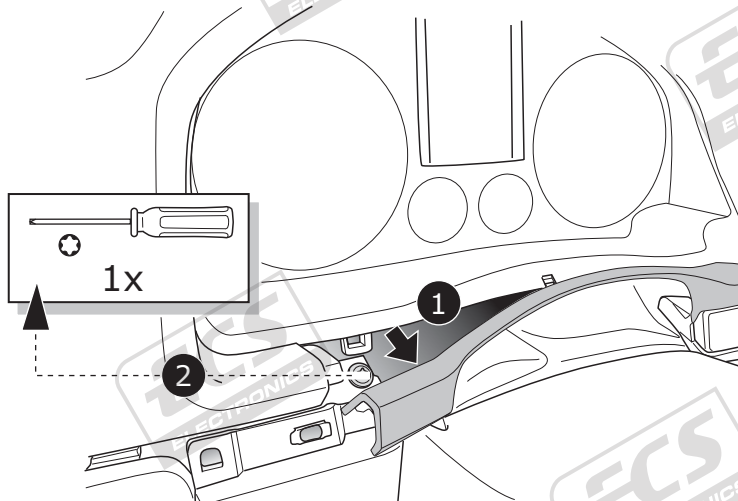
Golf V / Golf VI / Golf VI variant / Golf V Plus / CrossGolf / Tiguan / Golf VI Plus

30

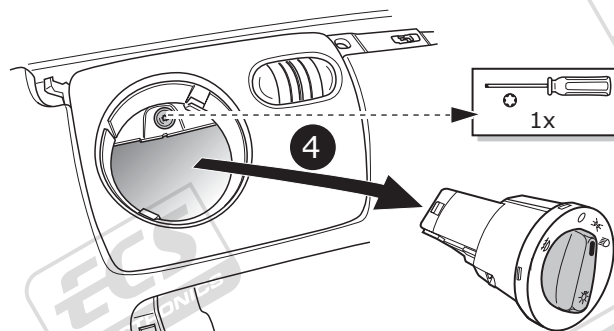
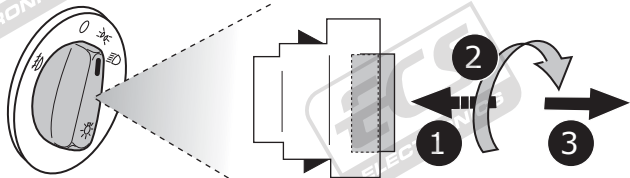


Golf V Variant / Jetta / Tiguan / Golf VI Plus

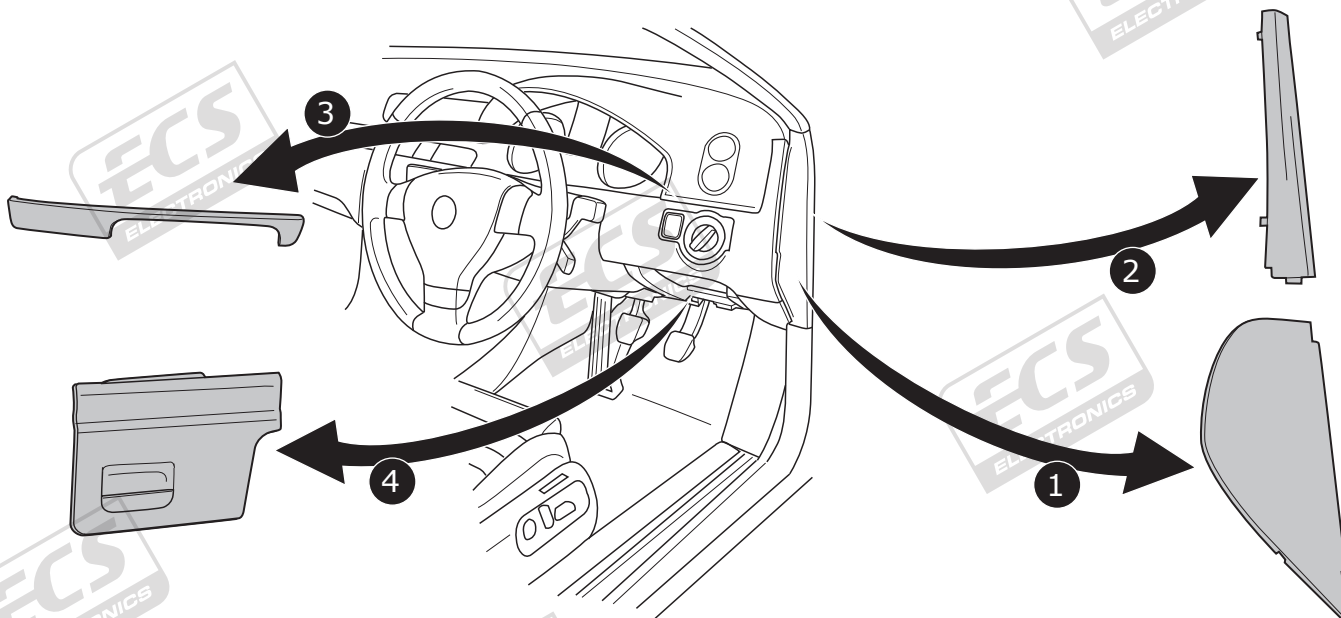
31



32

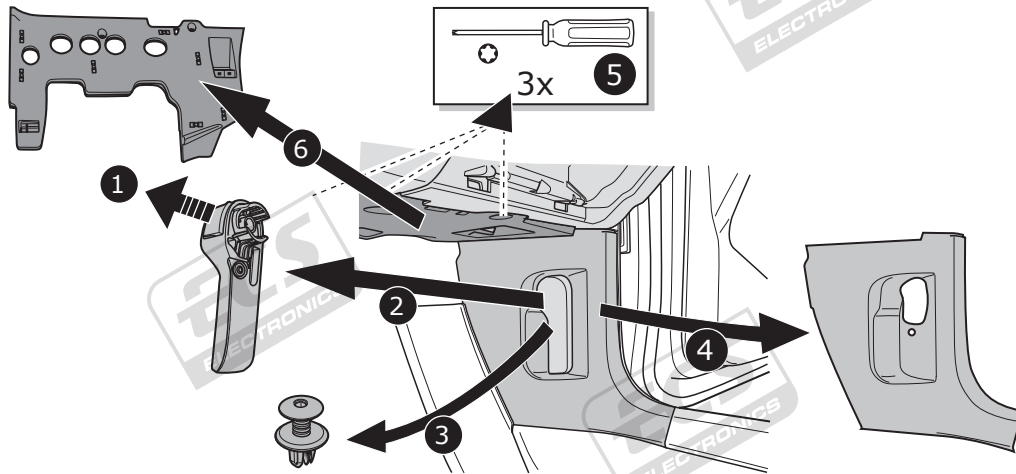


33

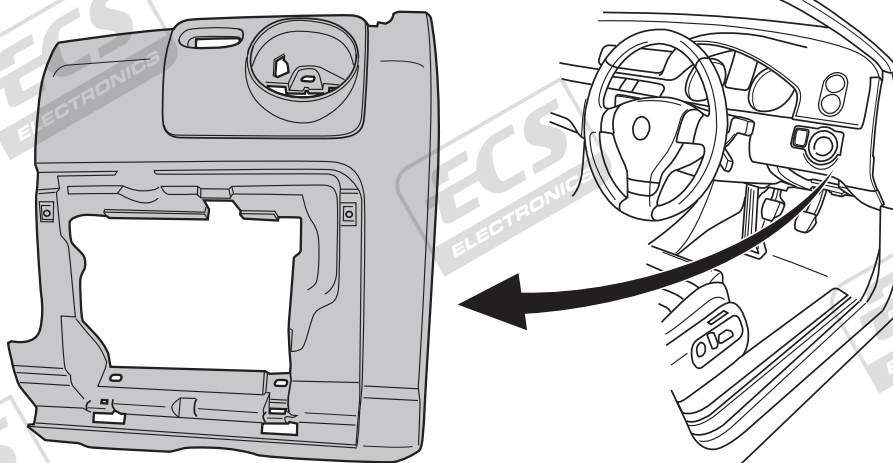


Golf V Variant / Jetta

34

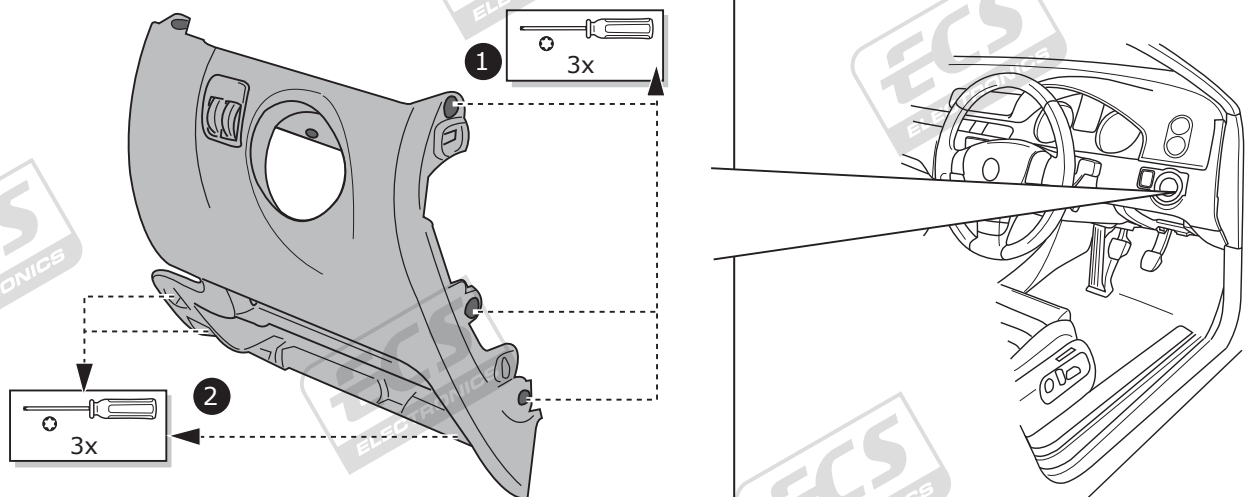


35

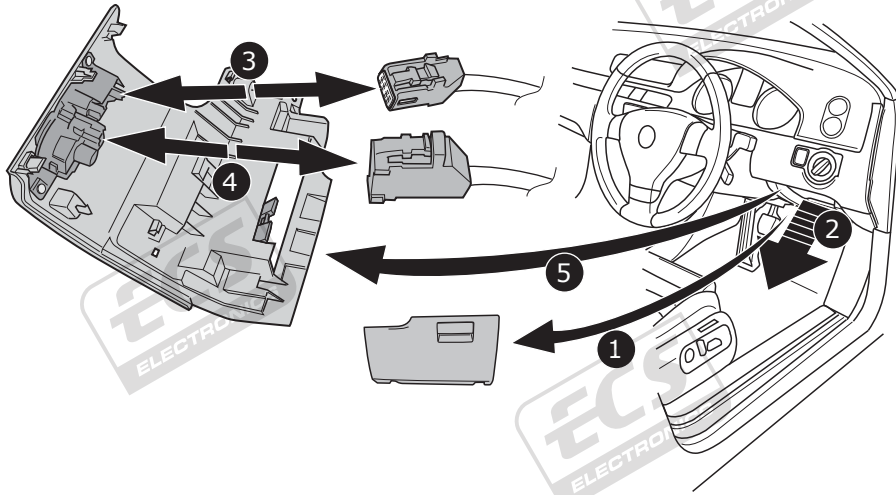


Tiguan

36

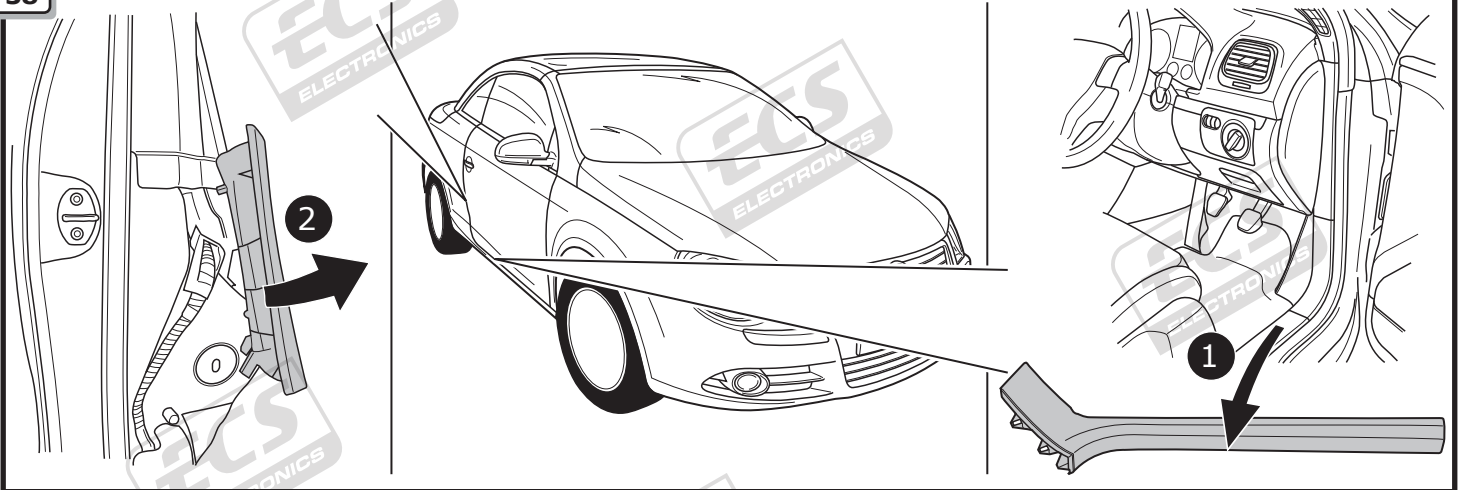


37

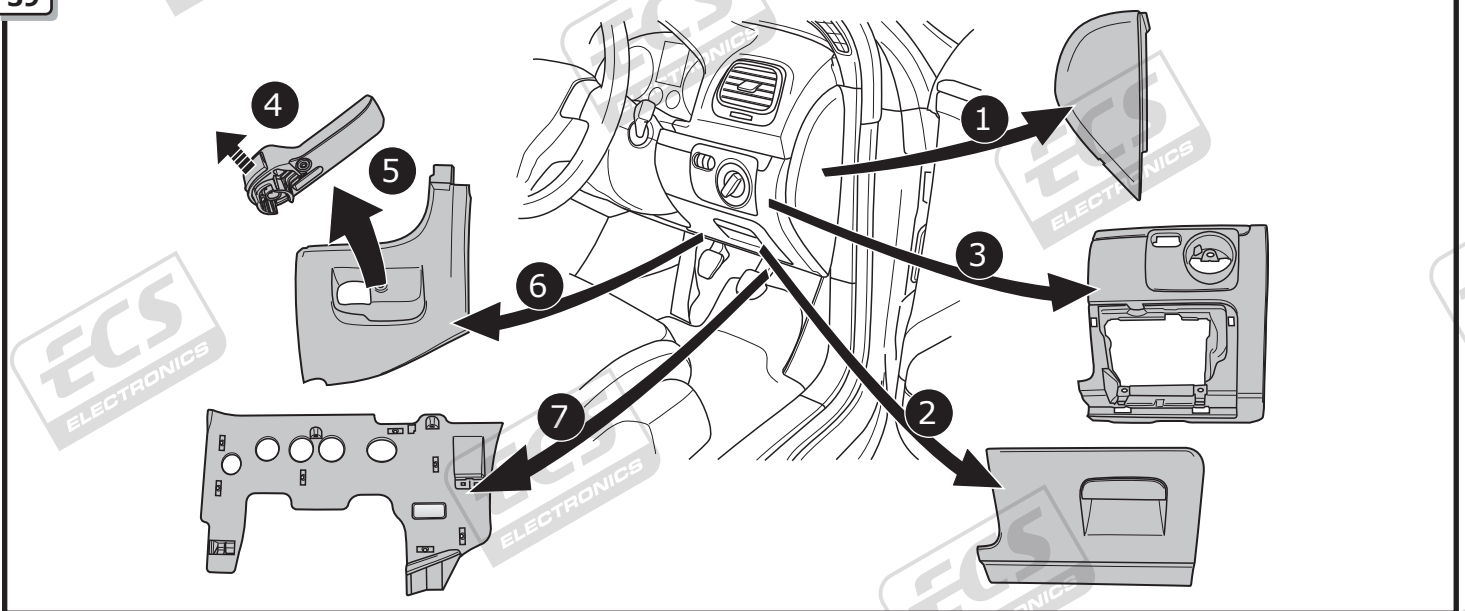


Eos

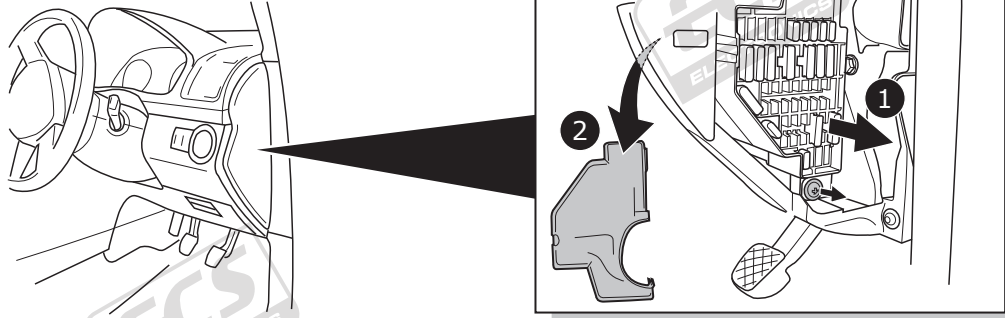
38



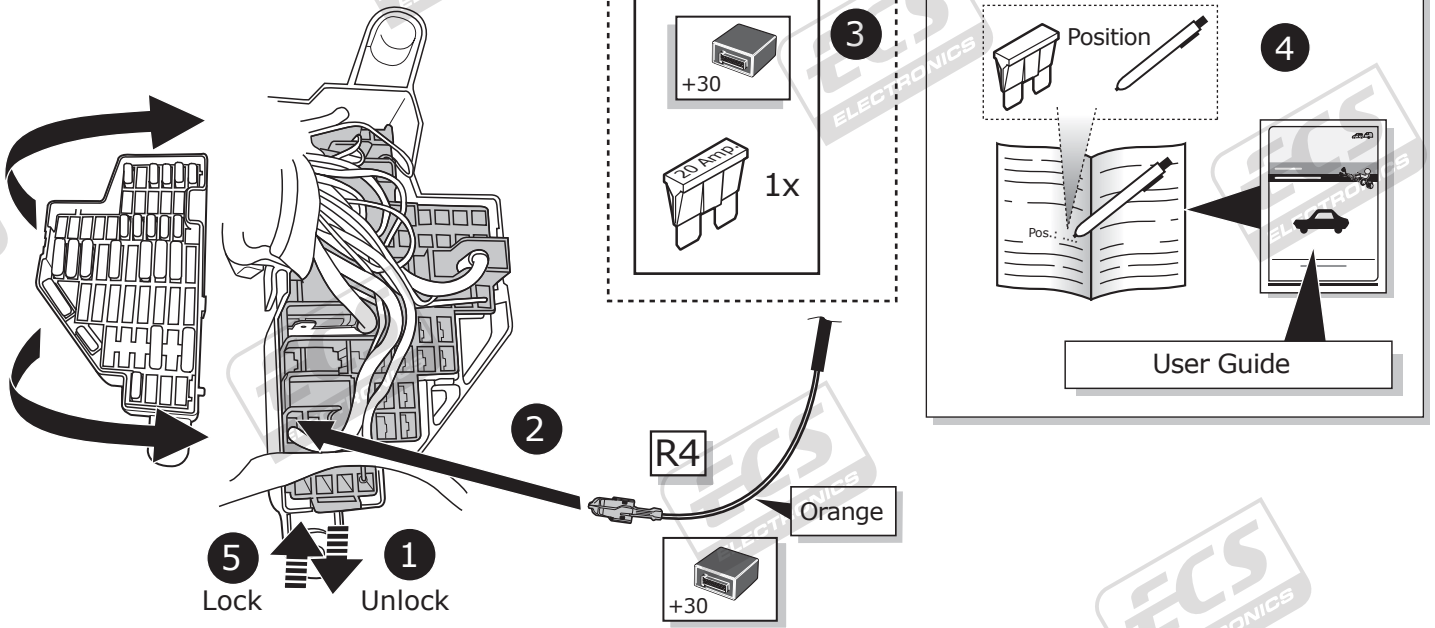
39



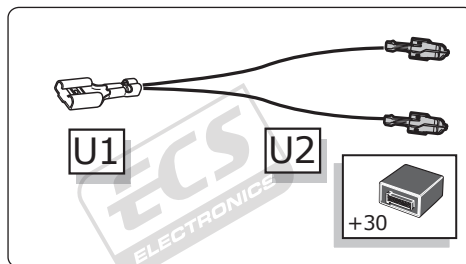
40



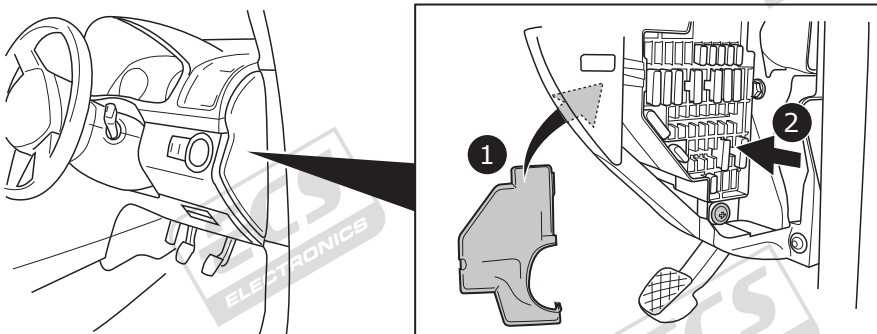
41



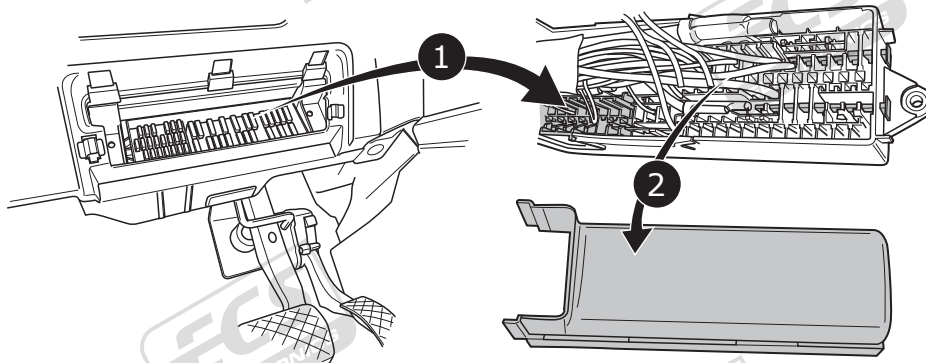
Use if there is no prepared +30 location:



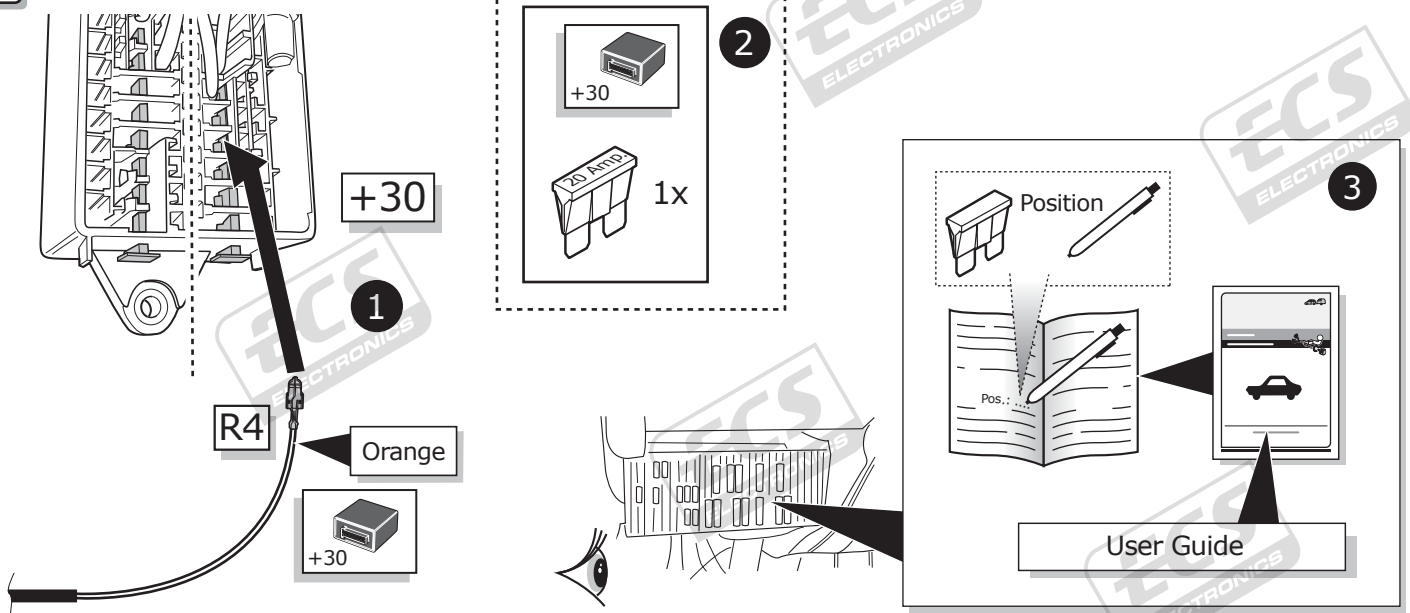
42



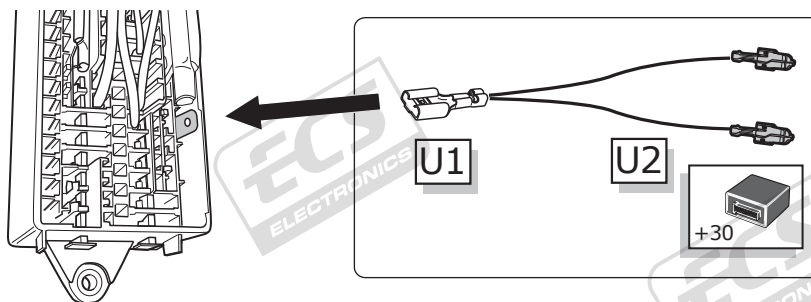
43



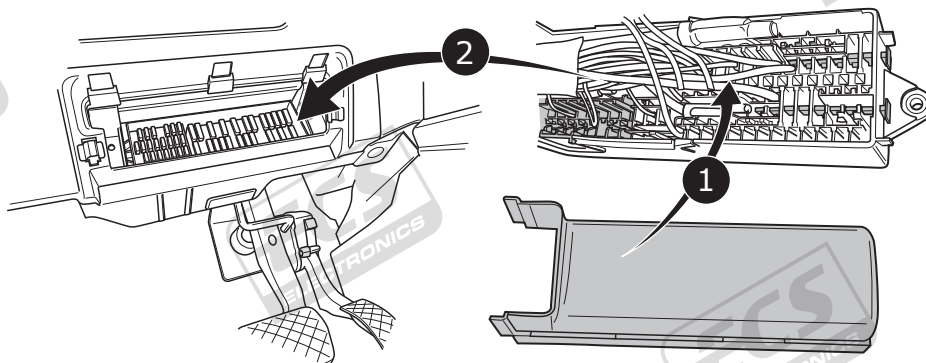
44



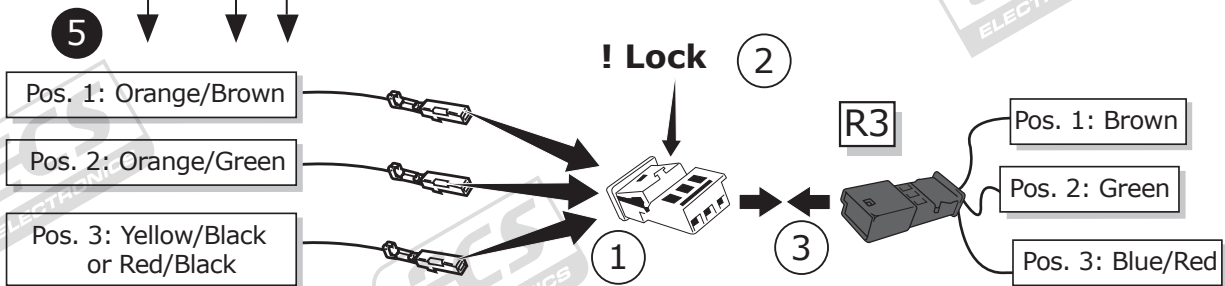
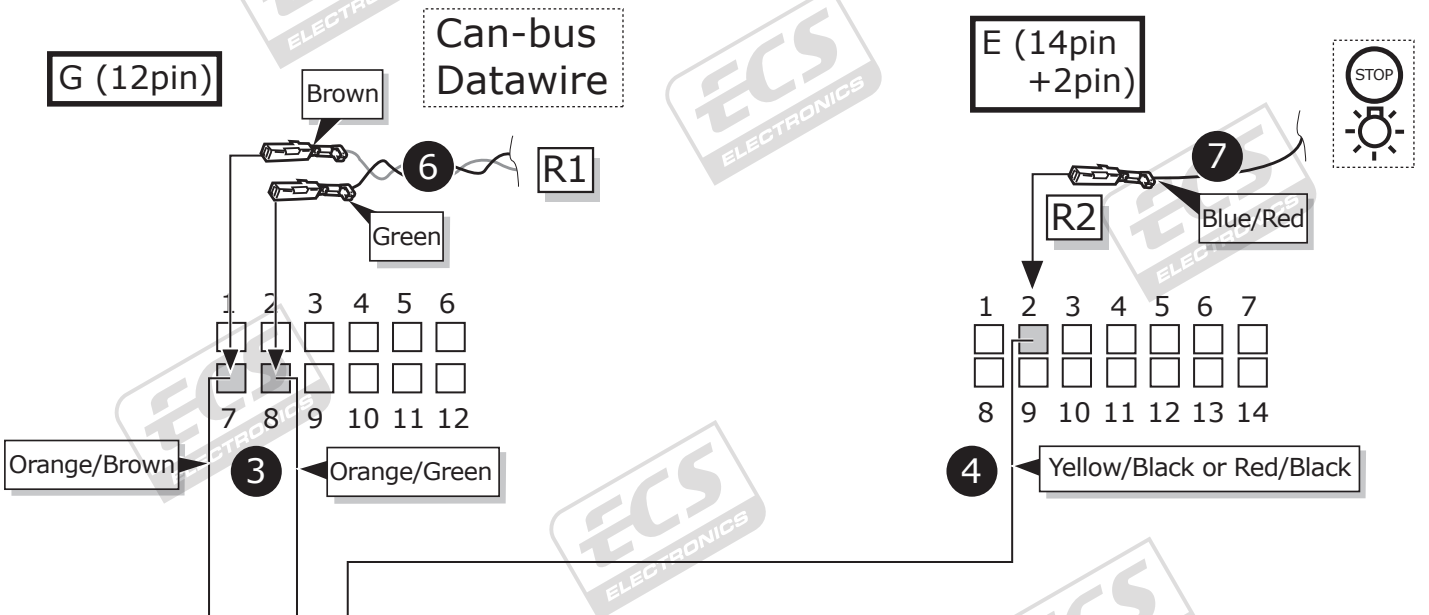
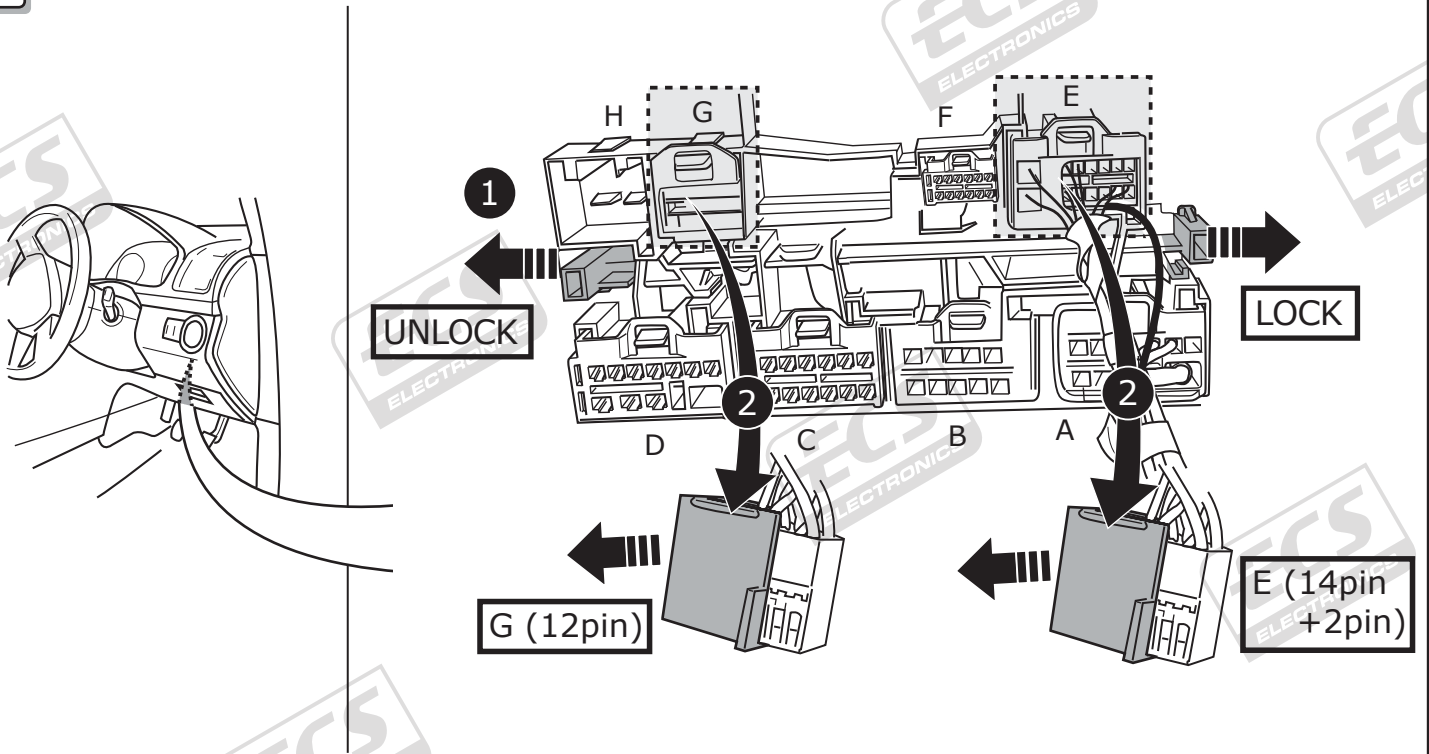
Use if there is no prepared +30 location:



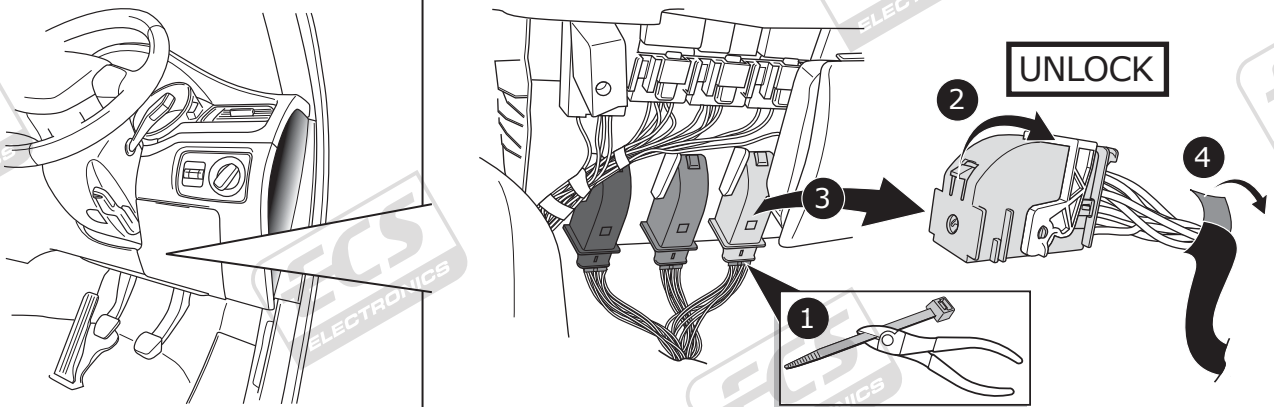
45



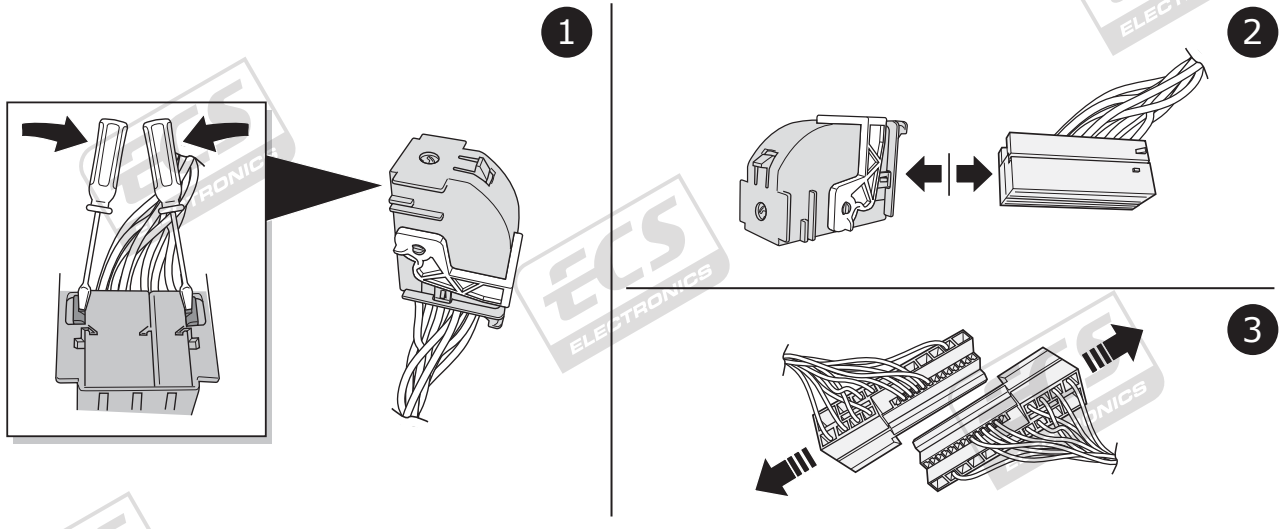
46



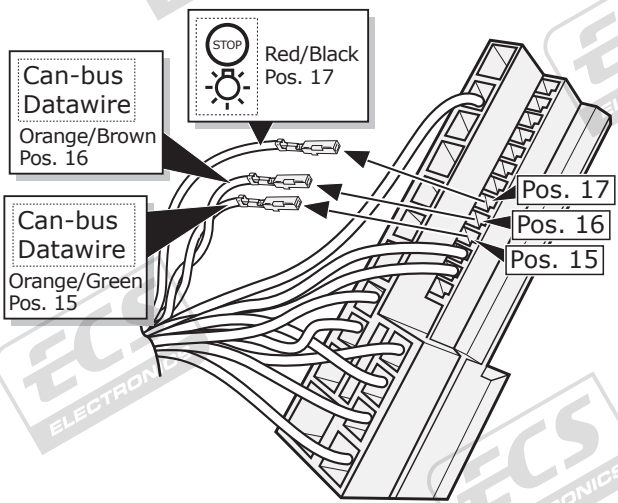
47



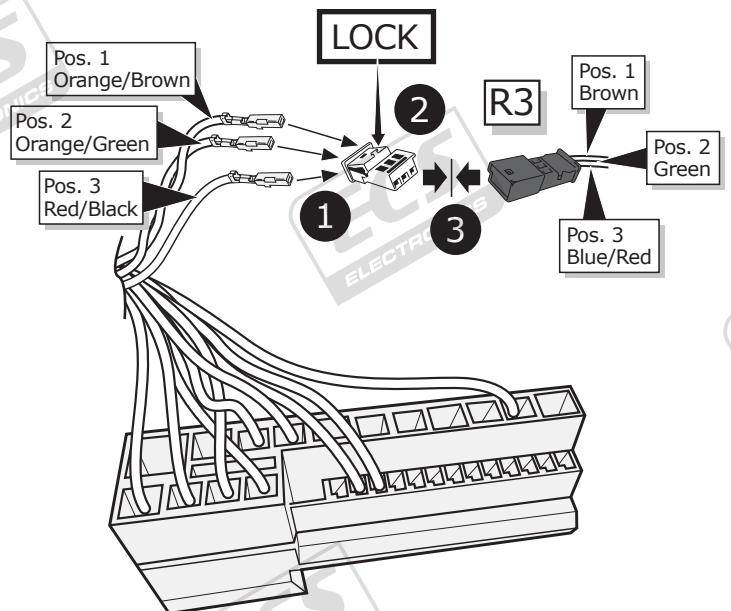
48



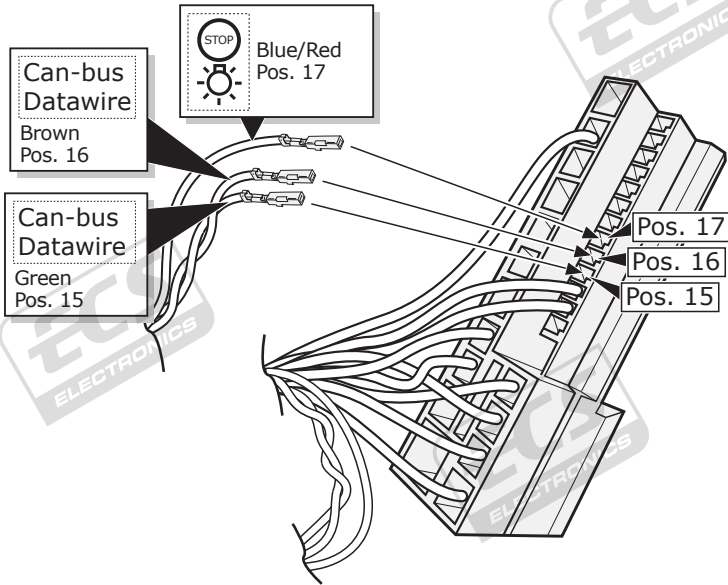
49



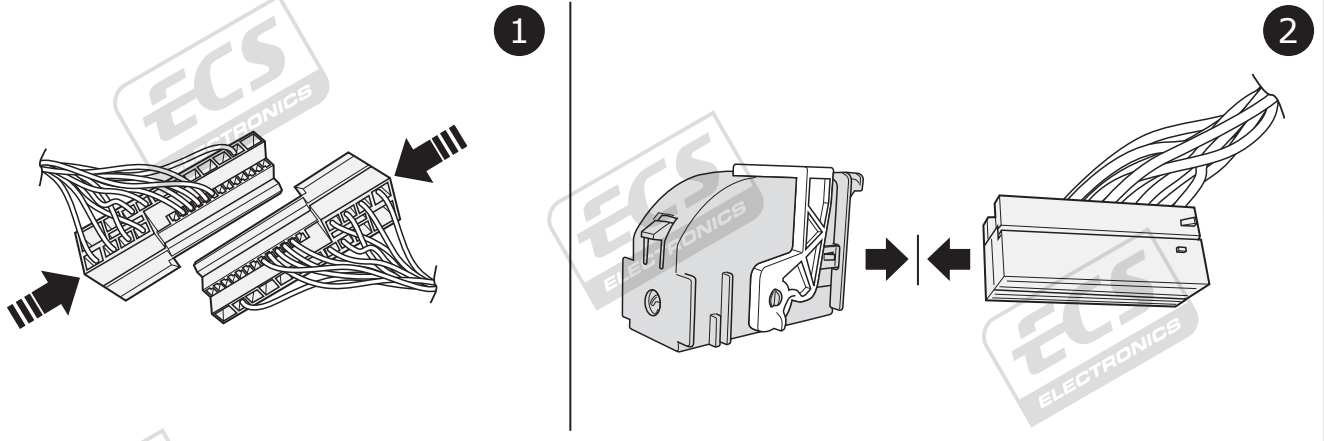
50



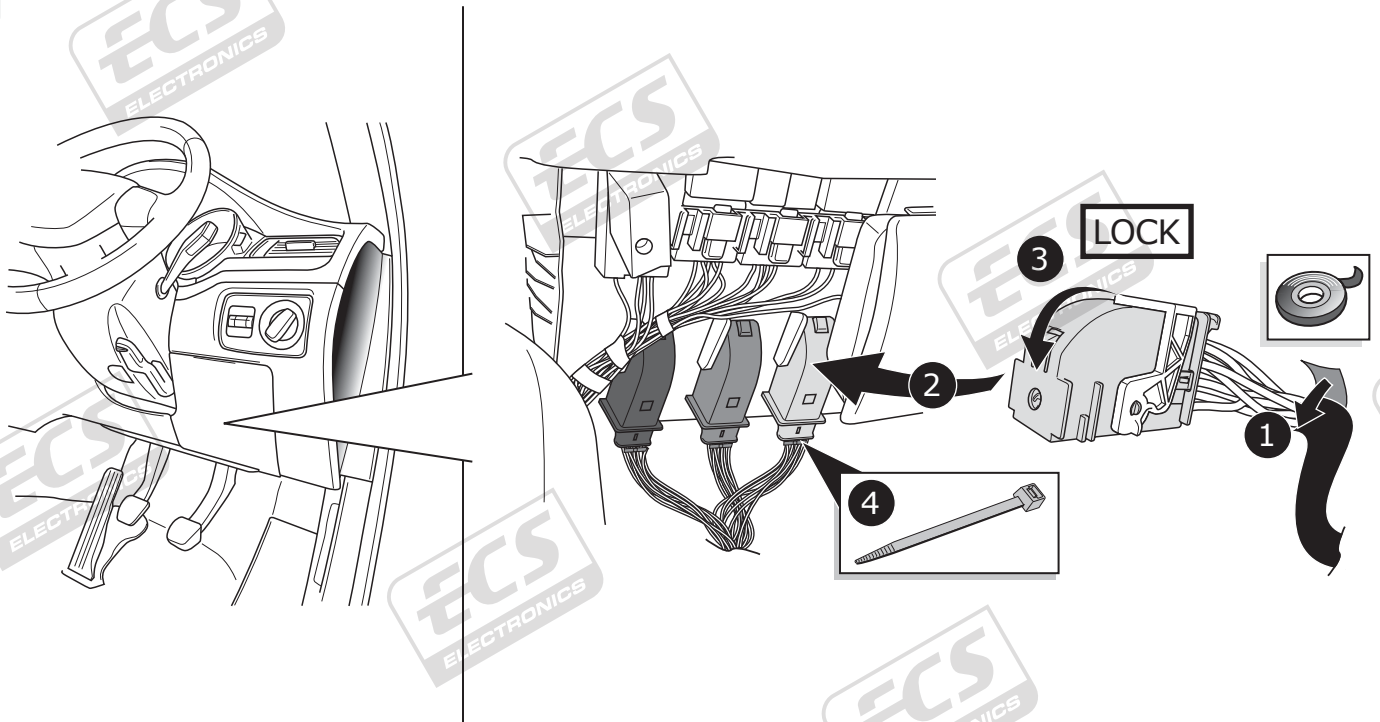
51



52



53

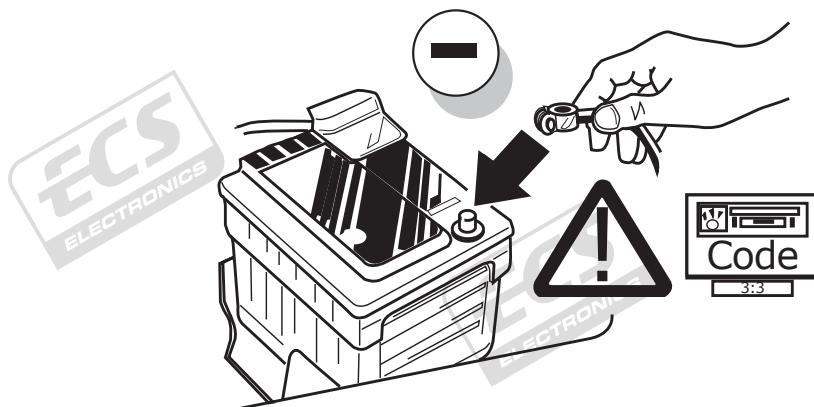


54



A VAG Service Tester must be used to code the vehicle's Gateway with the additional function for the towing hitch at the dealer.

55



56

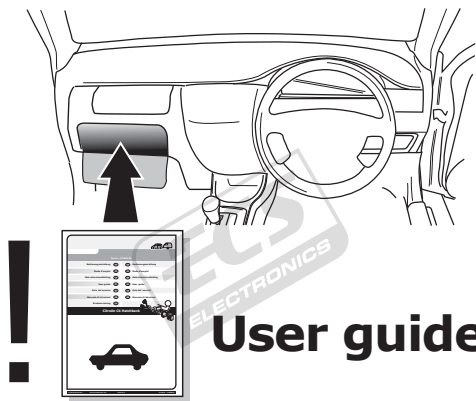


TEST ALL THE CIRCUITS WITH A TEST DEVICE WITH THE CORRECT POWER LOAD FOR EACH FUNCTION. A TEST DEVICE WITH LED'S CANNOT BE USED FOR THIS PURPOSE.

INFO

REINSTALL TRIM.

57



User guide



INFO

SOCKET CONNECTION

DIN/ISO 11446							6/54			8		9		10		11	12		13
Pmax	21W	21W		21W	42W	3x21W	42W	21W	180W/15Amp	180W/15Amp									
Colour	Black/White	Blue	Brown	Black/Green	Grey/Red	Black/Red	Grey/Black	Black	Red	Yellow	Brown	Red/Blue					Brown		