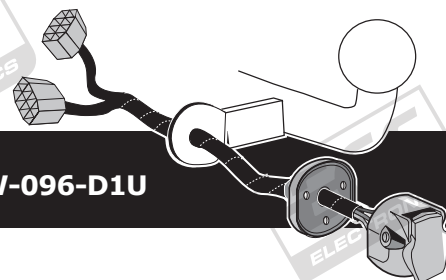


Volkswagen

- **Caddy III 02/2004>>05/2010**
- **Caddy III 06/2010>>05/2015**
- **Caddy IV 06/2015>>**
- **Caddy Life 03/2004>>**
- **Caddy Maxi 01/2008>>**

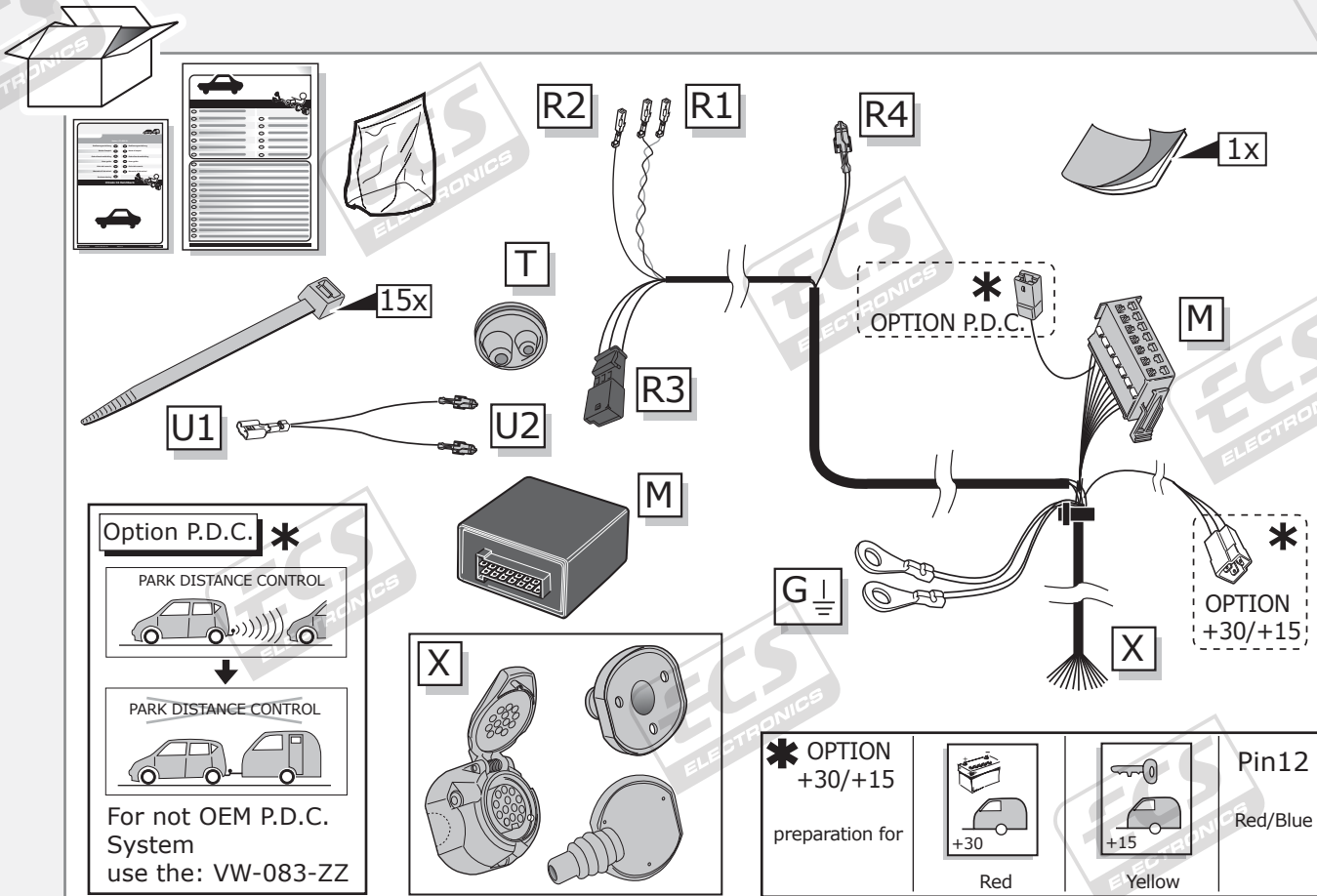
Partnr.: VW-096-D1U



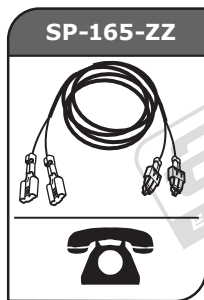
- Fitting instructions electric wiring kit tow bar with 13-P socket up to DIN/ISO Norm 11446.
- We would expressly point out that assembly not carried out properly by a competent installer will result in cancellation of any right to damage compensation, in particular those arising by virtue of the product liability act.
- Contents of these kits and their fitting manuals are subject to alteration without notice, please ensure that these instructions are read and fully understood before commencing installation.
- Do not overload circuits; the maximum loads per connection are detailed in this manual.
- Attention! Before Installation, please read this manual carefully and inform your customer to consult the vehicle owners manual to check for any vehicle modifications required before towing.
- In the event of functional problems, troubleshooting must be limited to about 0.5 hours, contact the technical support:
t.skinner@ecs-electronics.com / 07440 202 052.



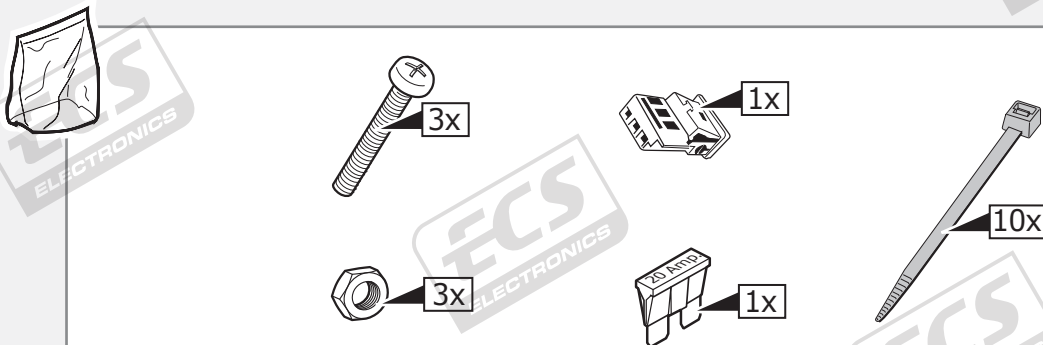
Part list



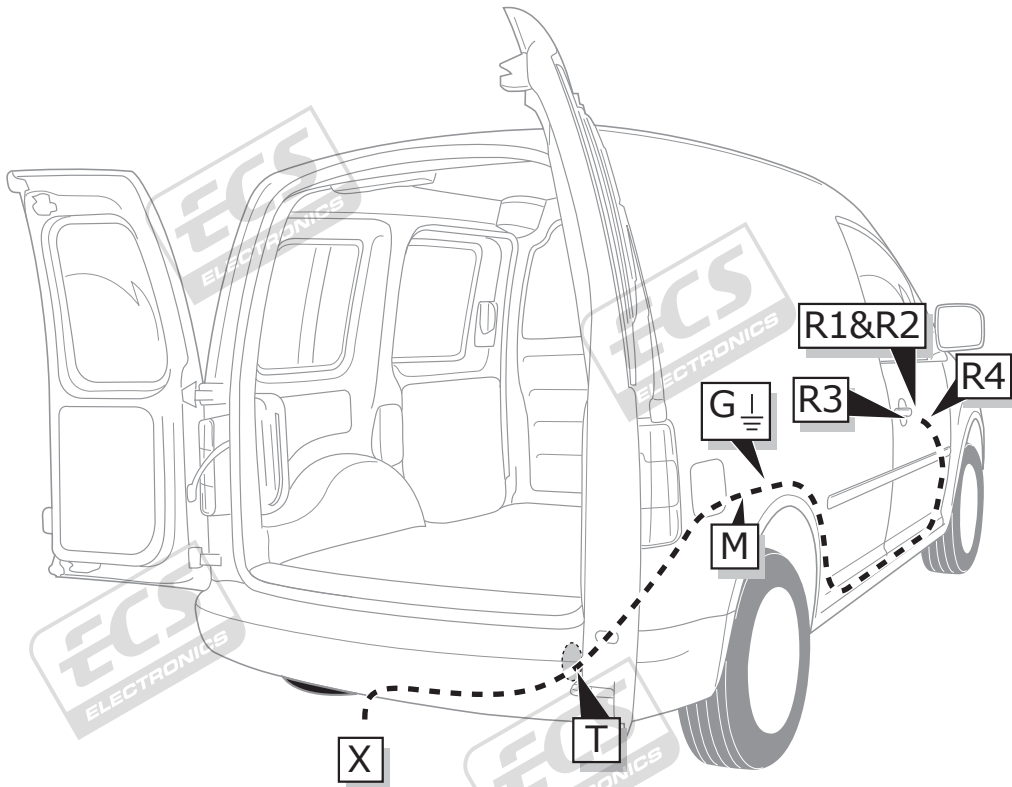
Option *
+30/+15 extension kit



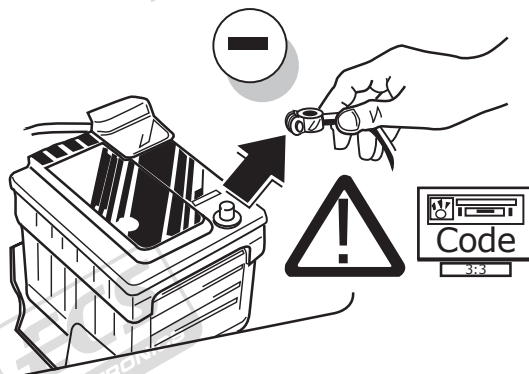
Consult your supplier.



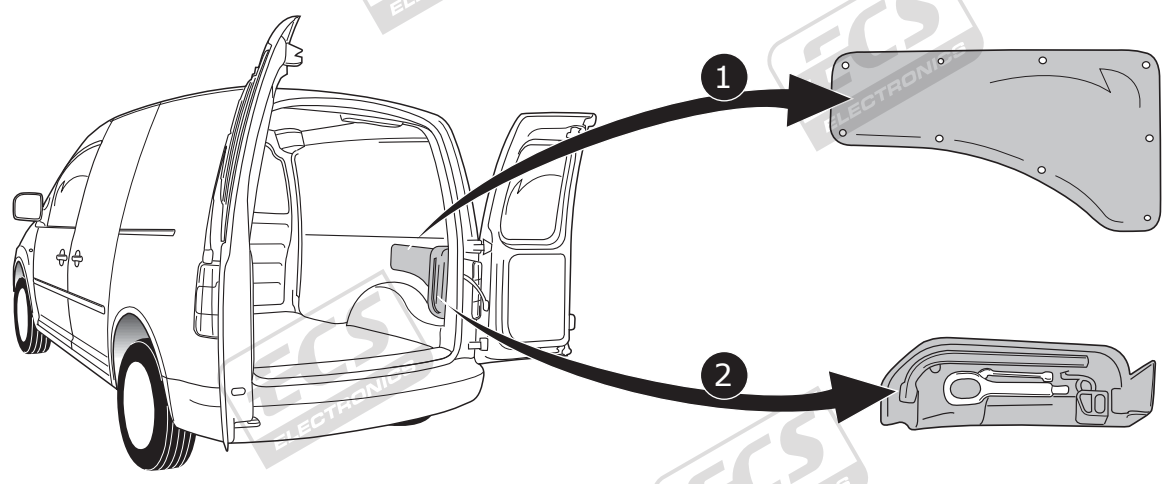
ROUTING



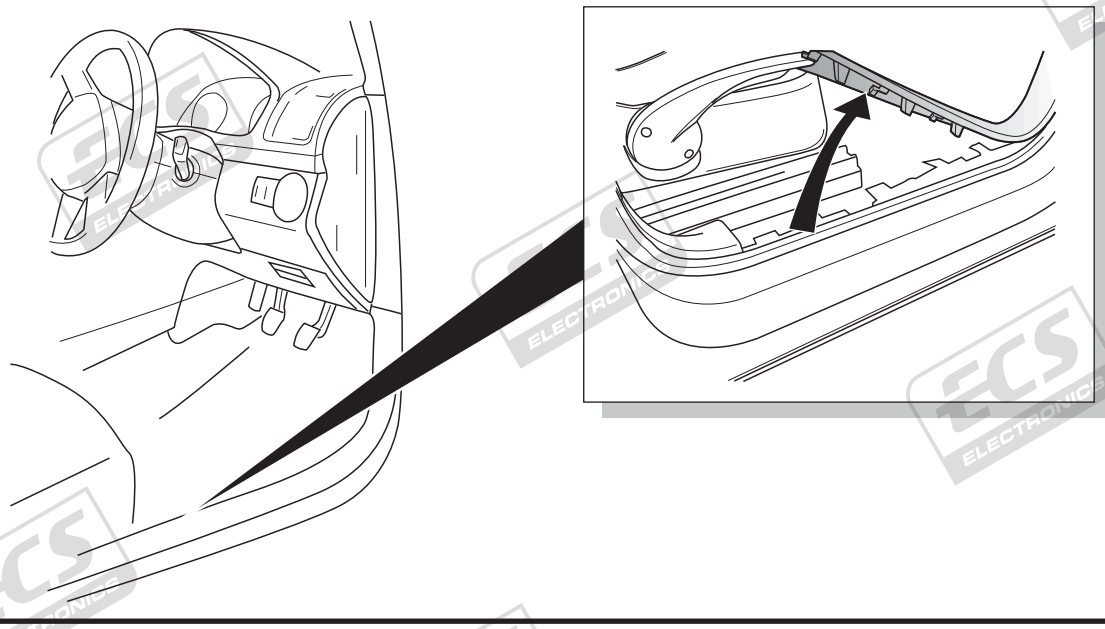
1



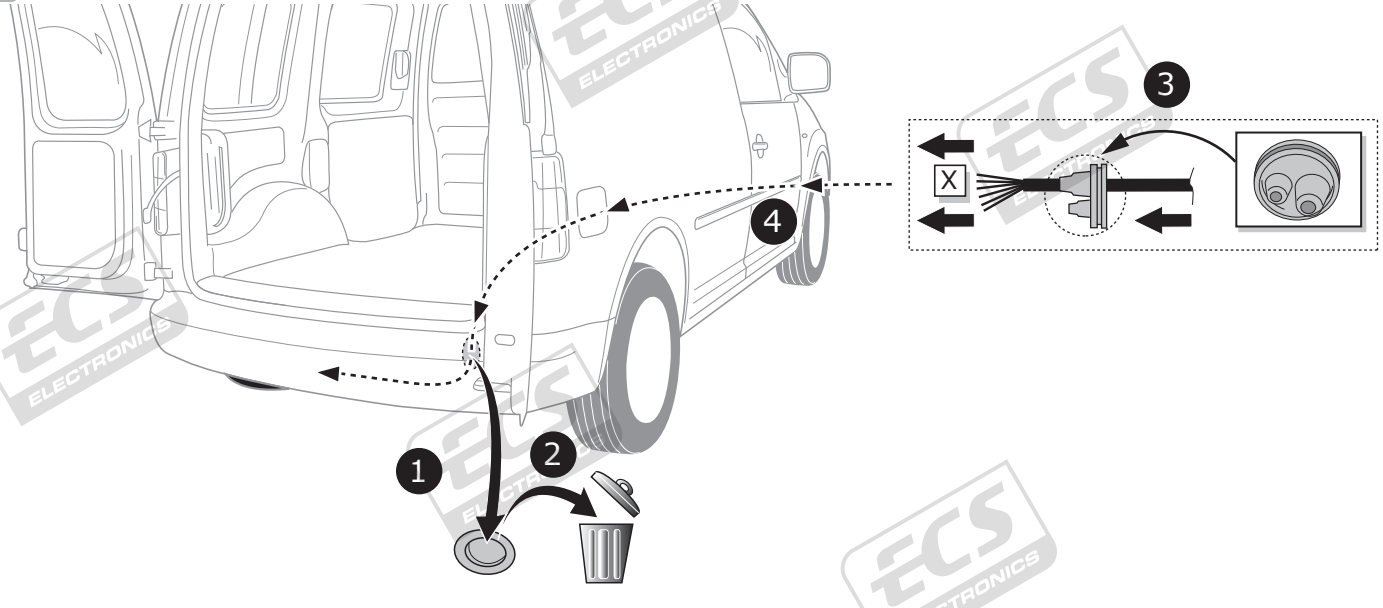
2

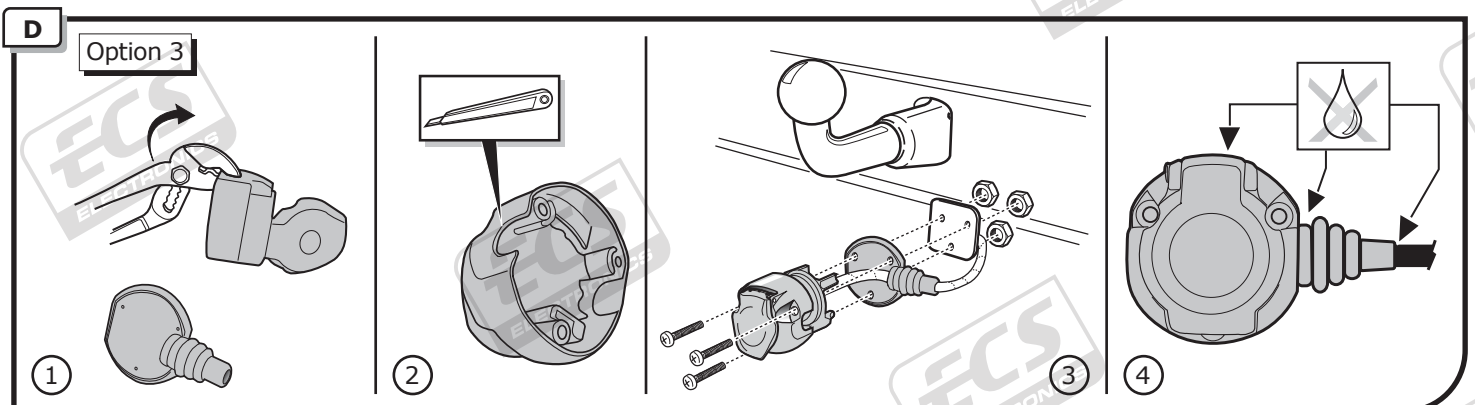
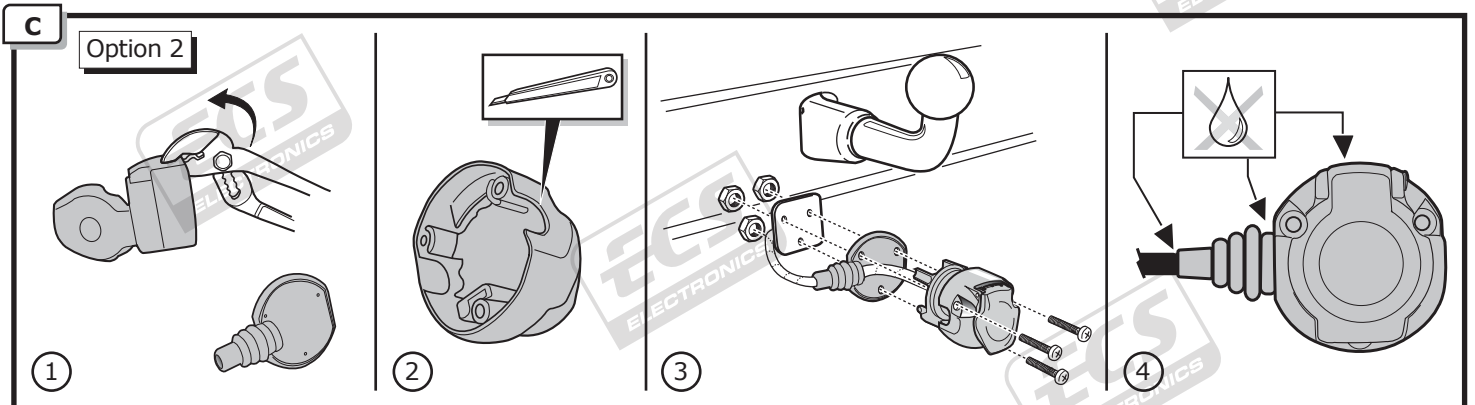
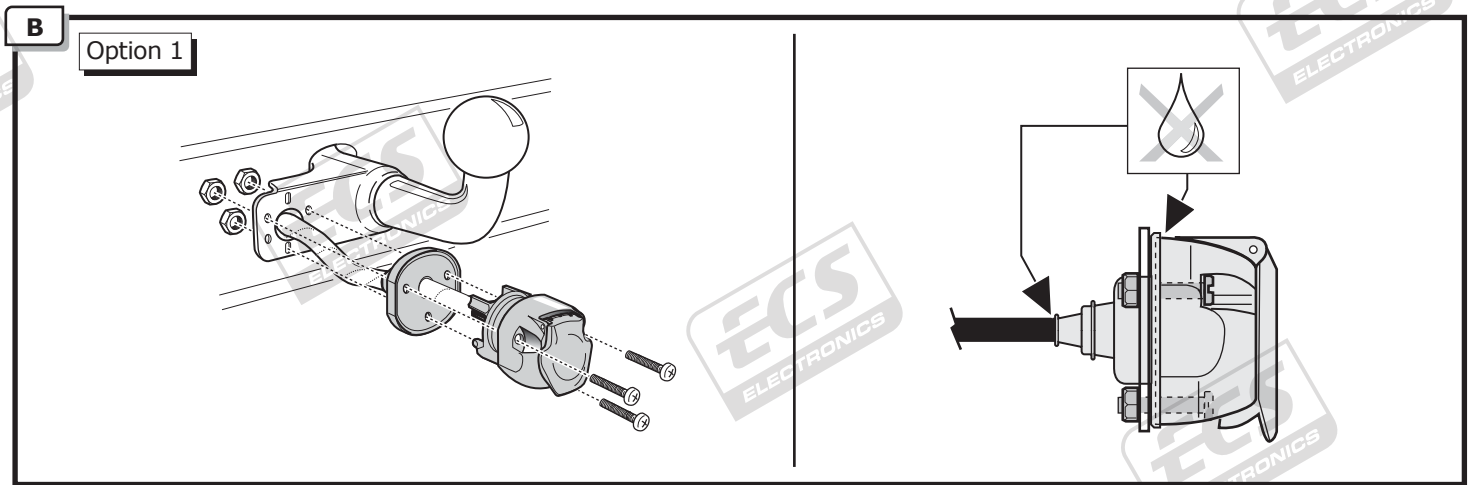
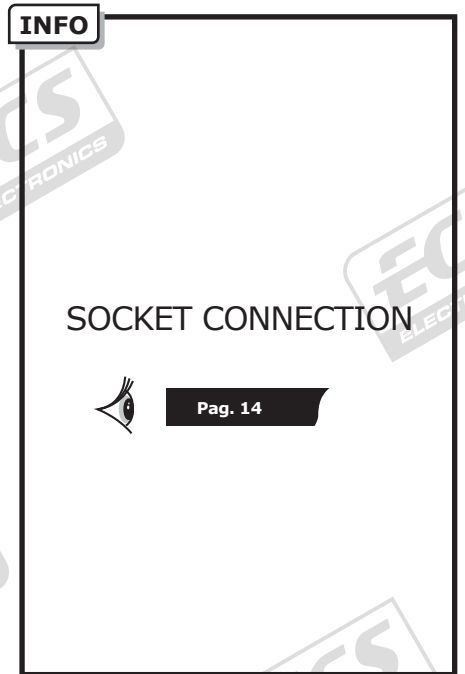
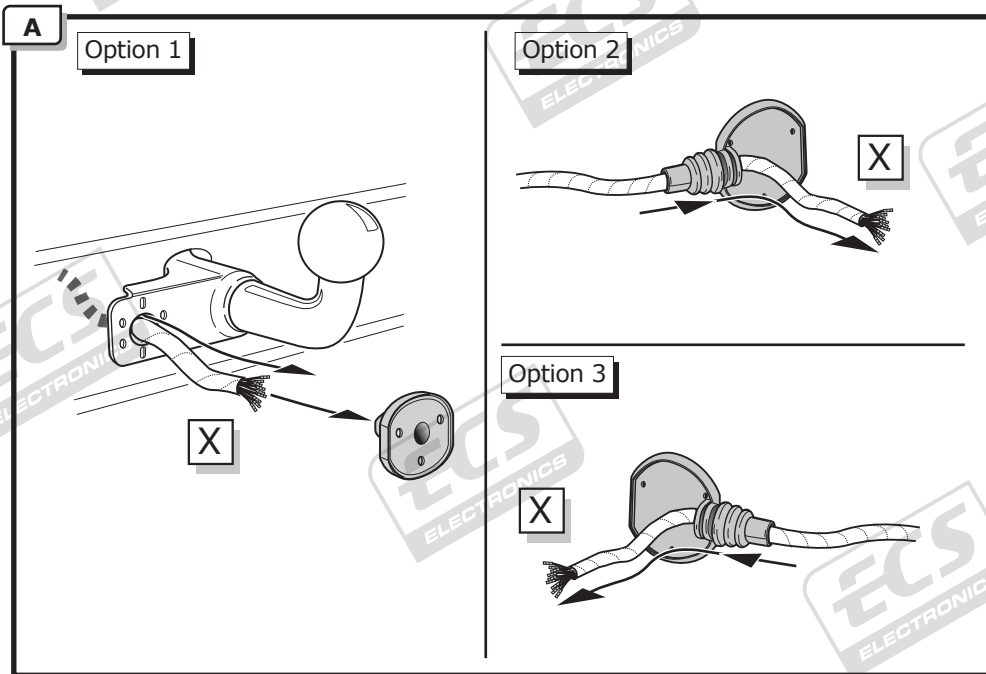


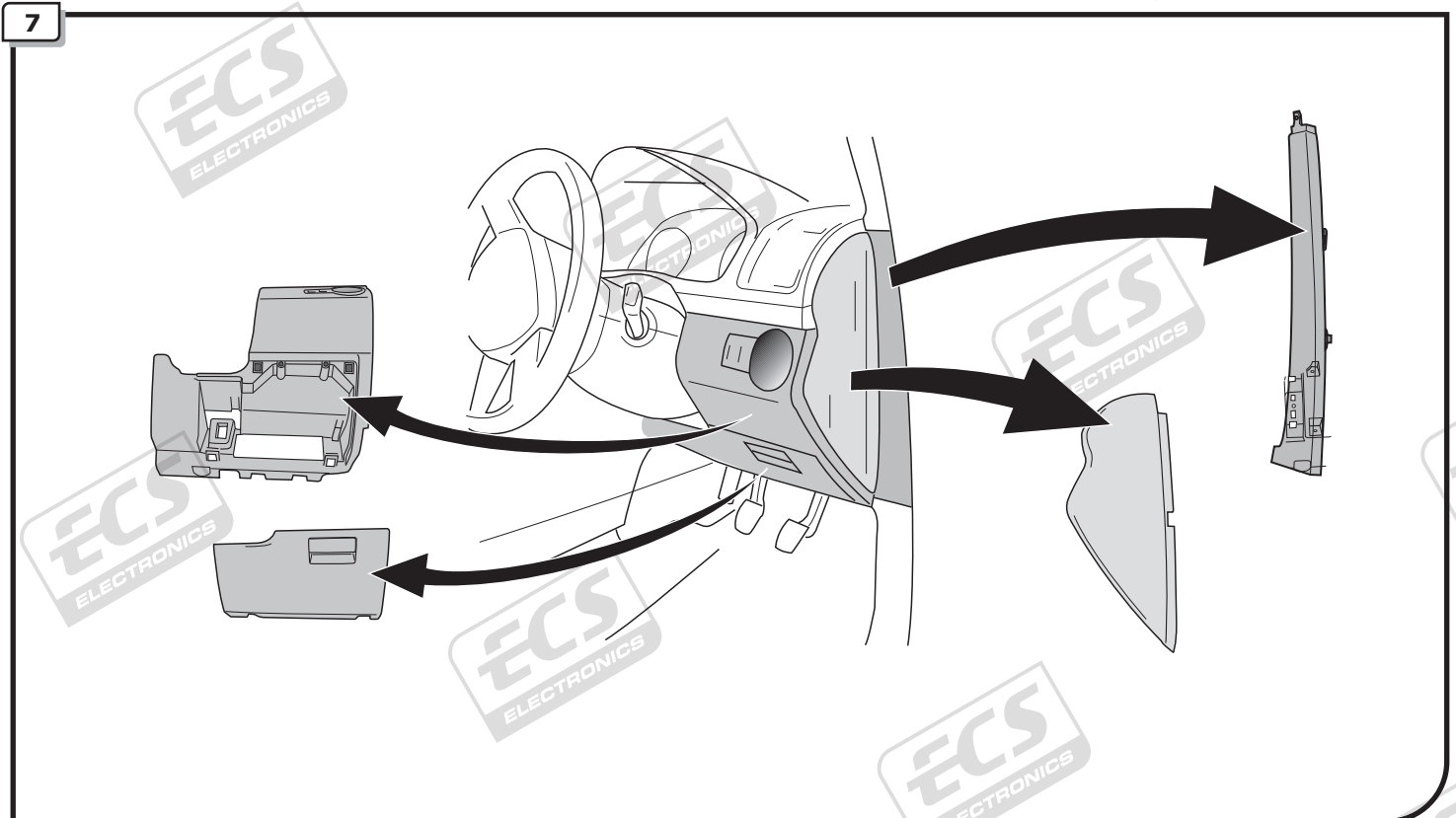
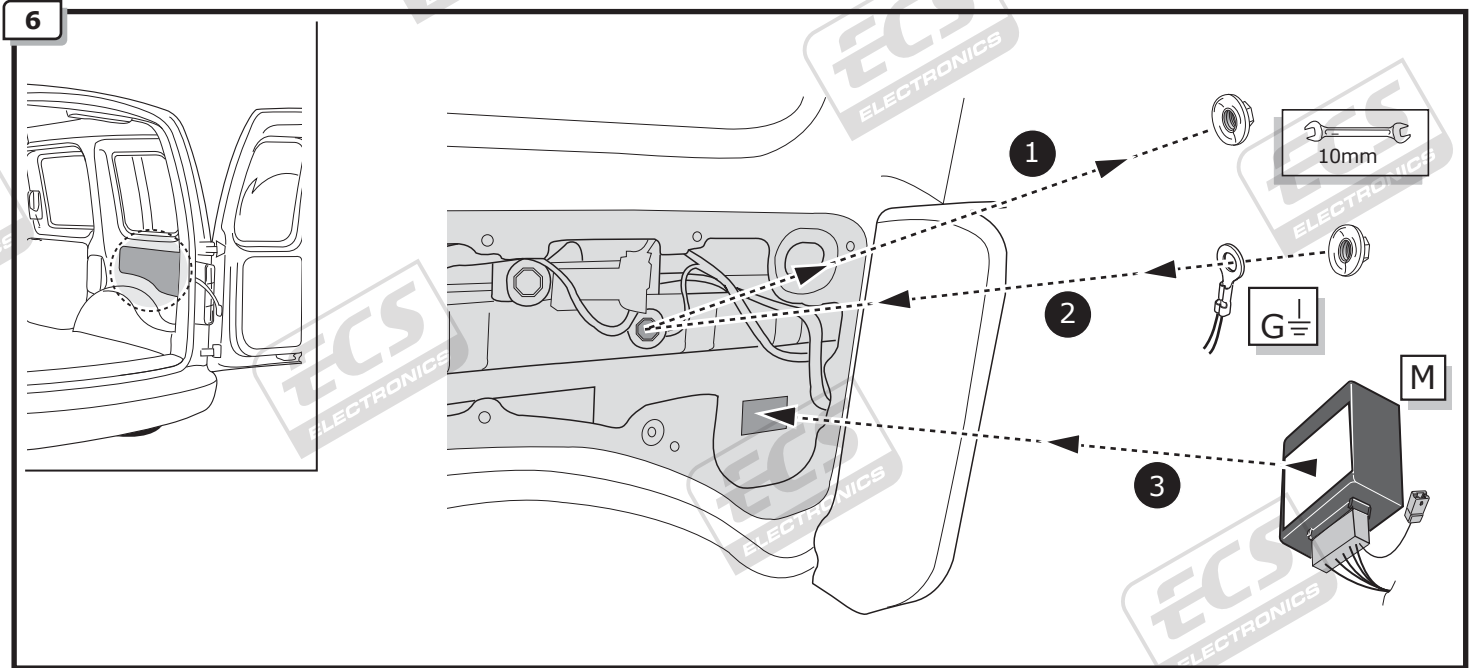
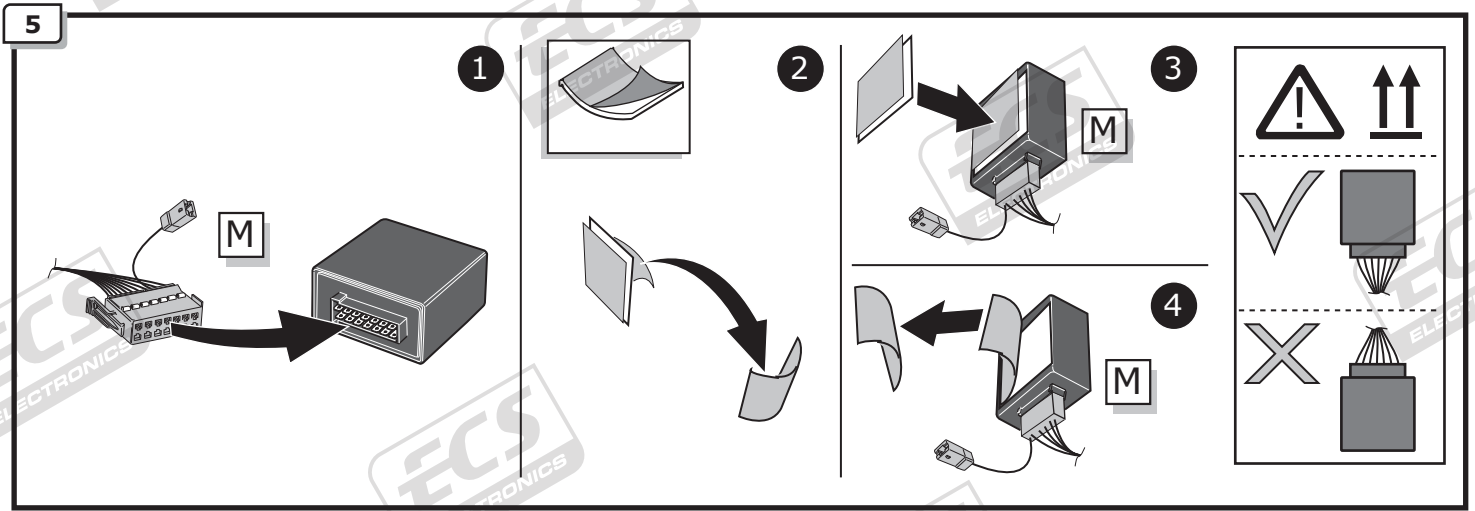
3



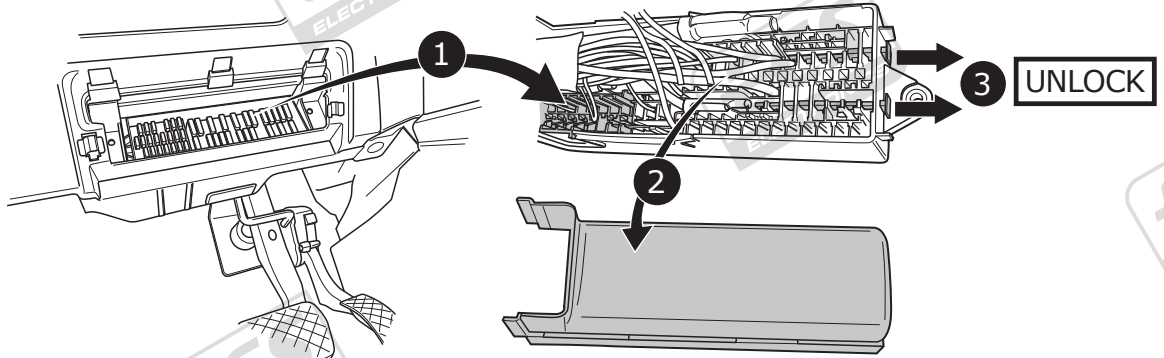
4



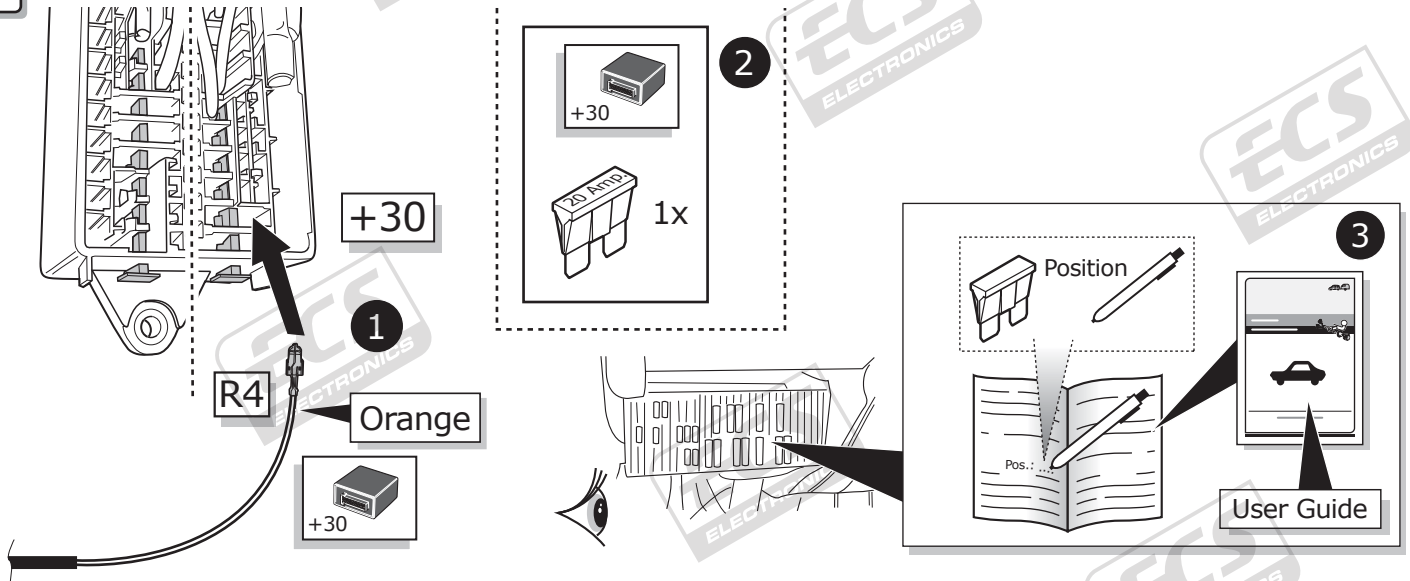




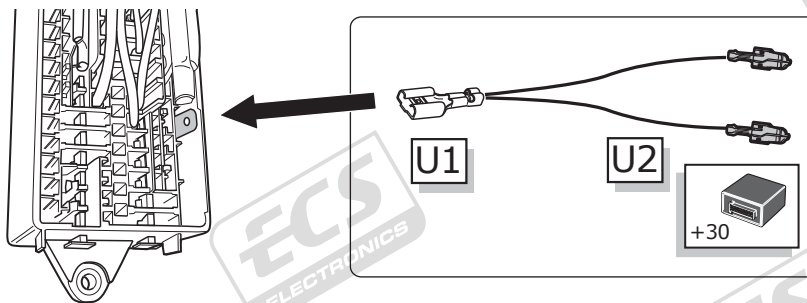
8



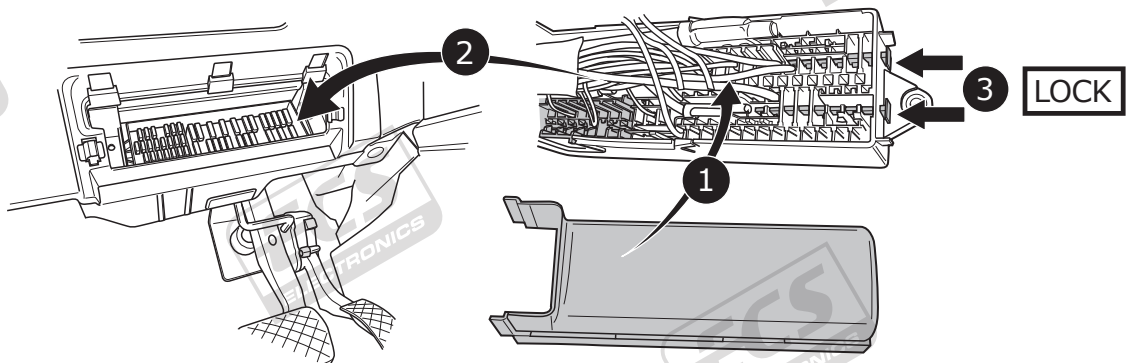
9



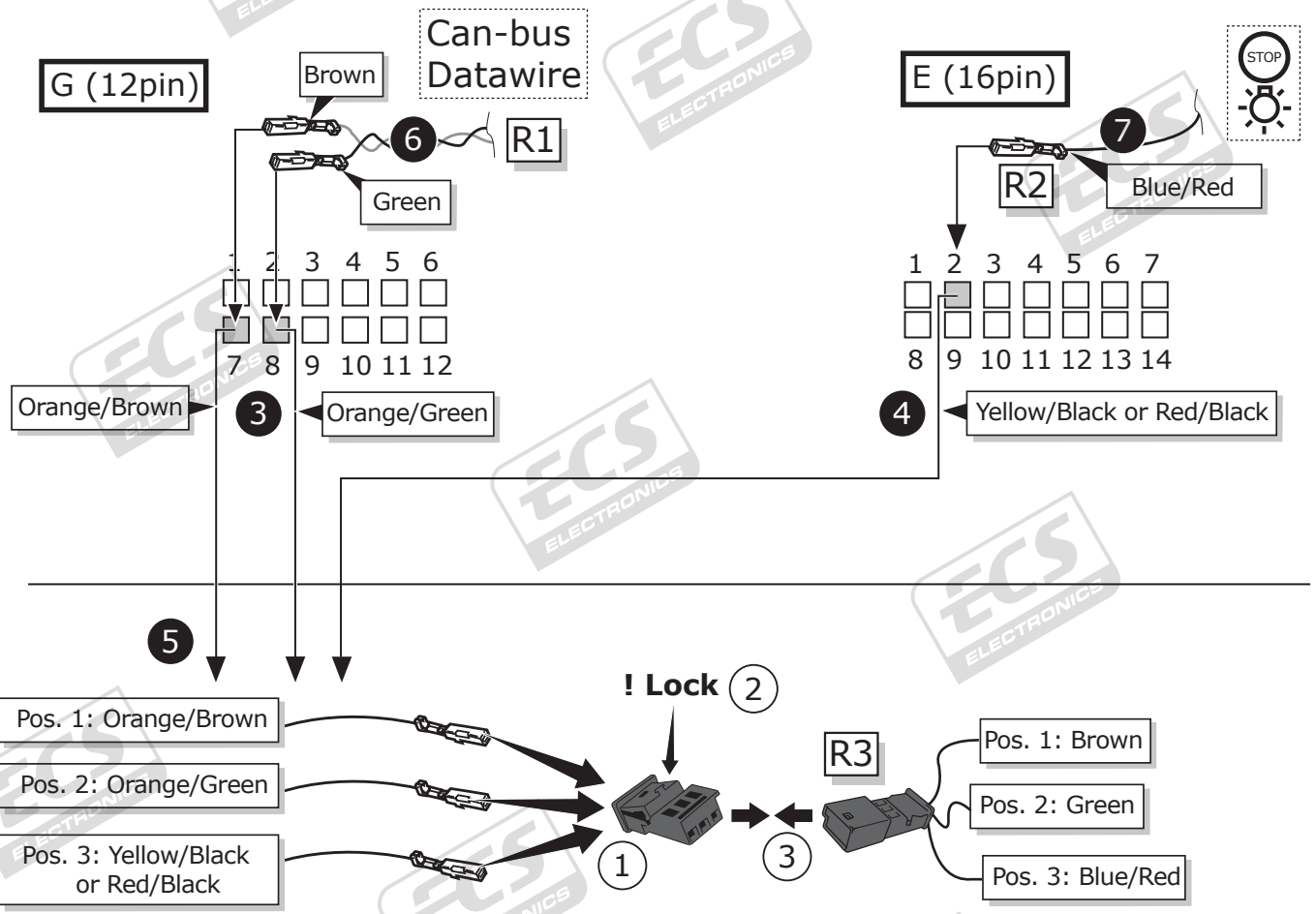
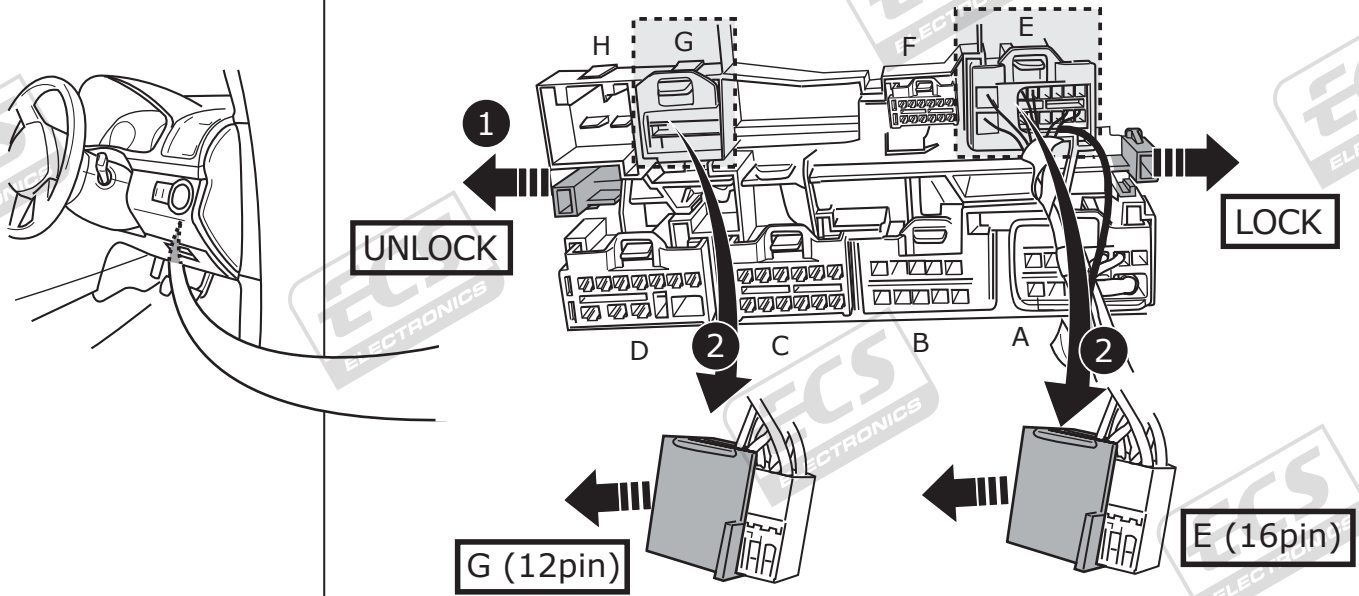
Use if there is no prepared +30 location:



10

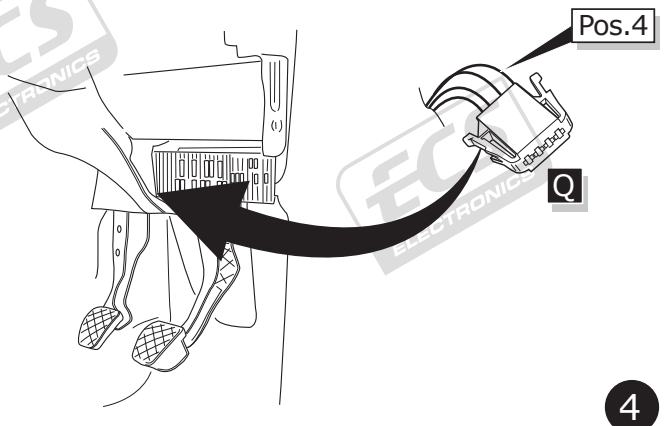
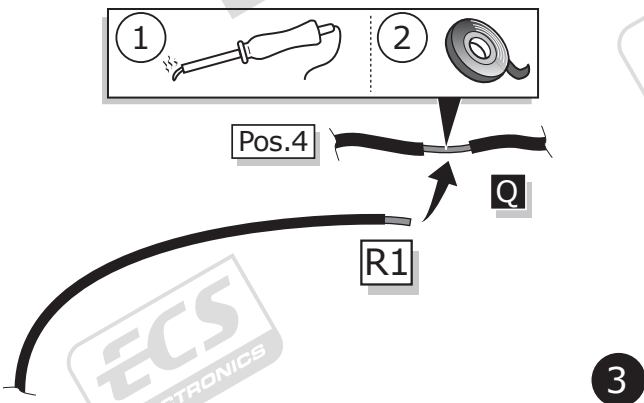
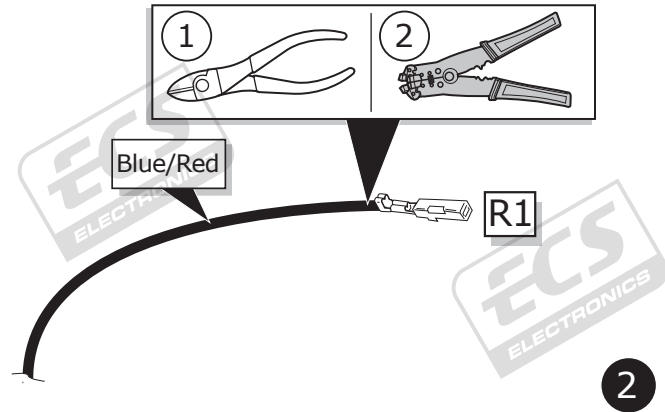
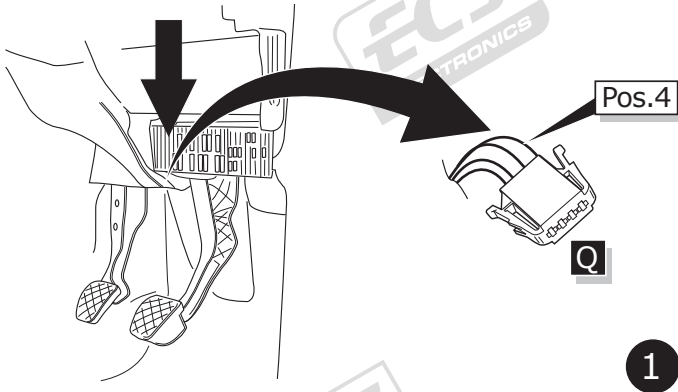


11

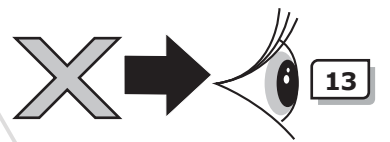
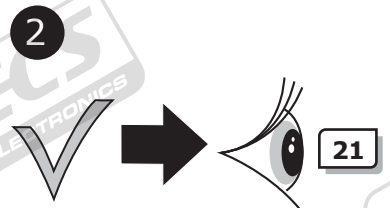
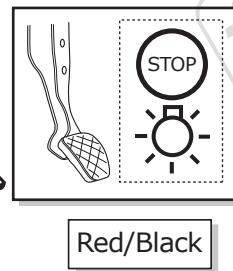
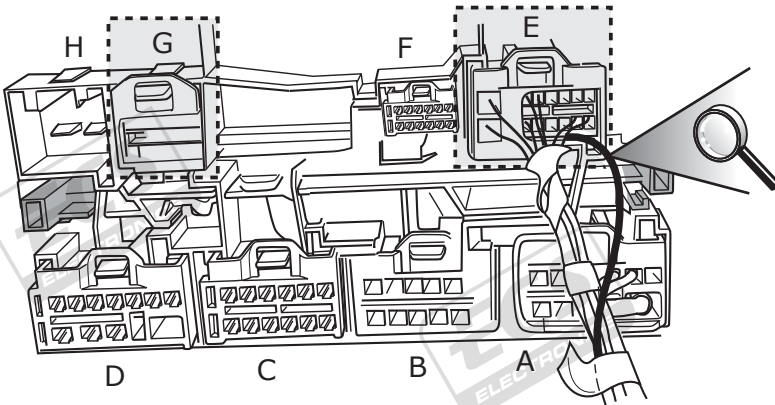


INFO

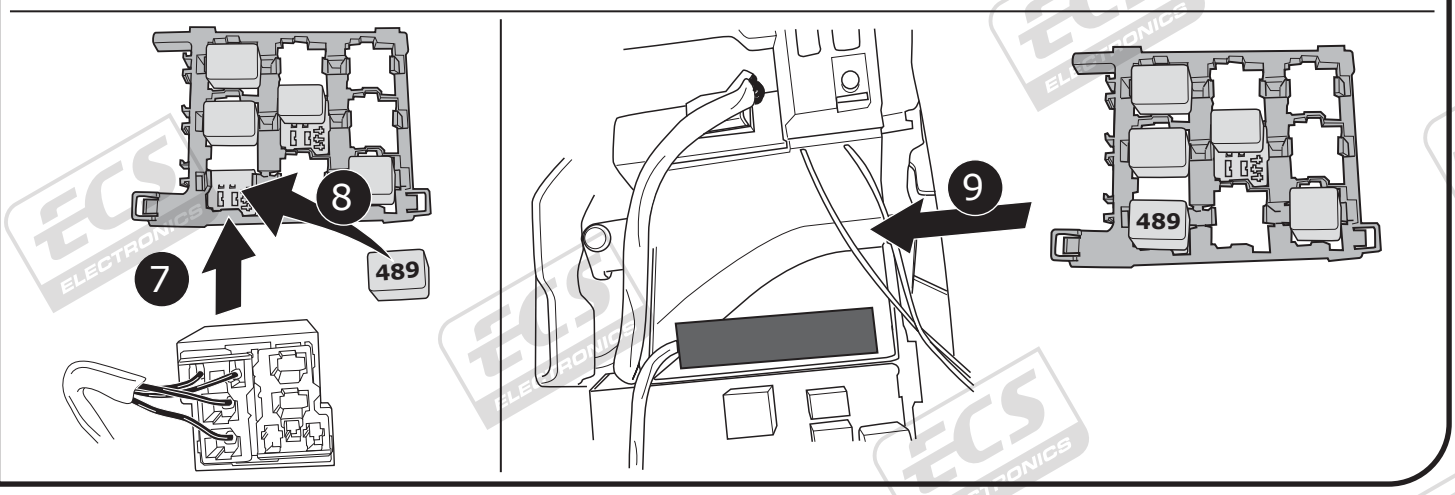
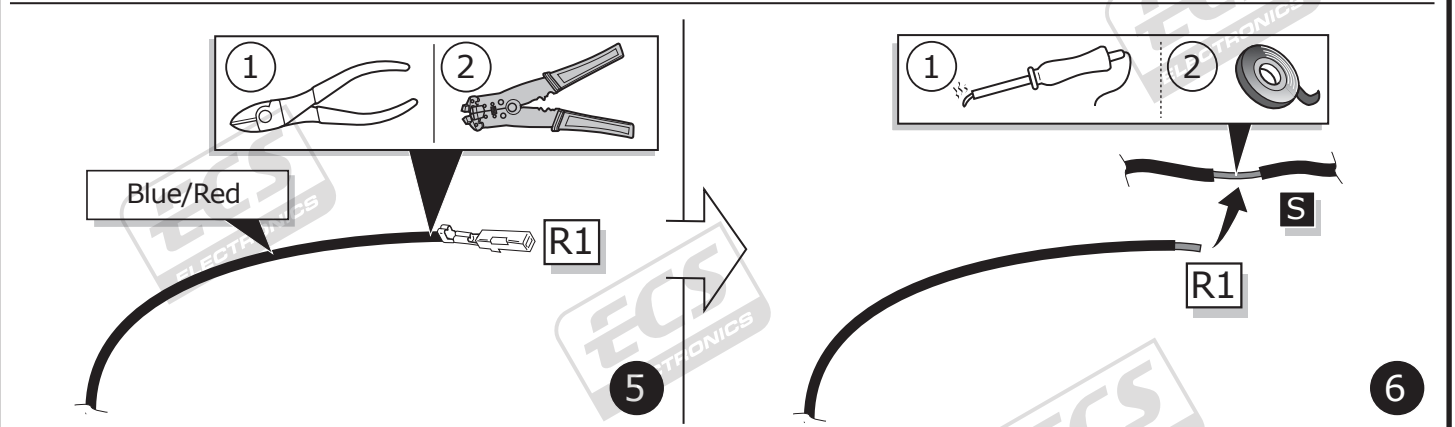
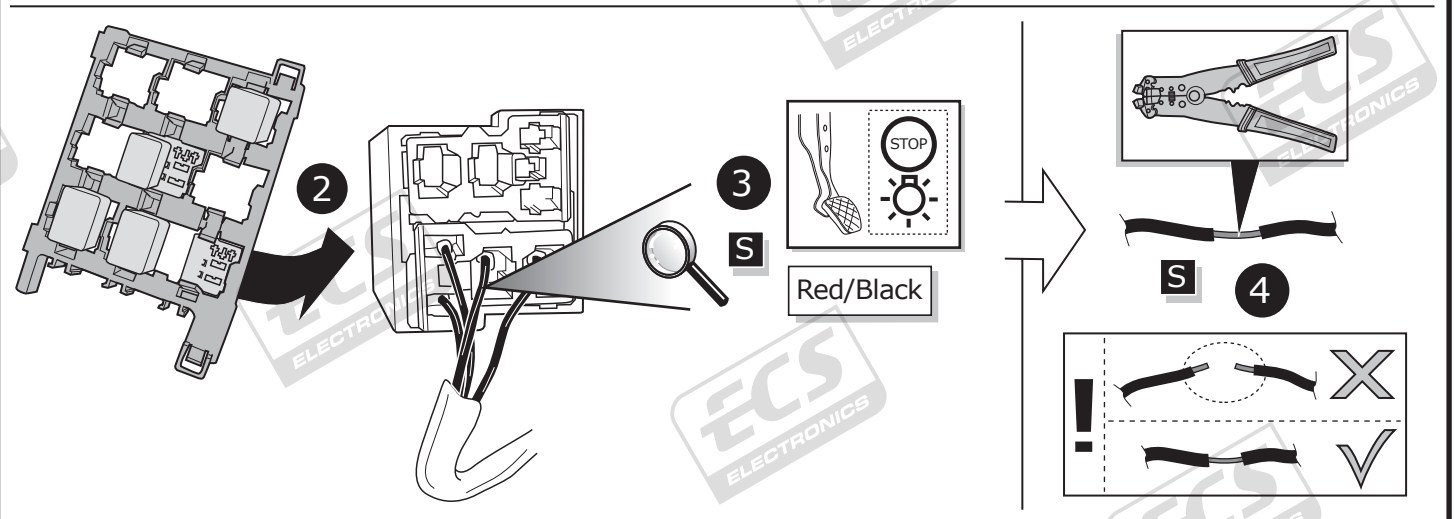
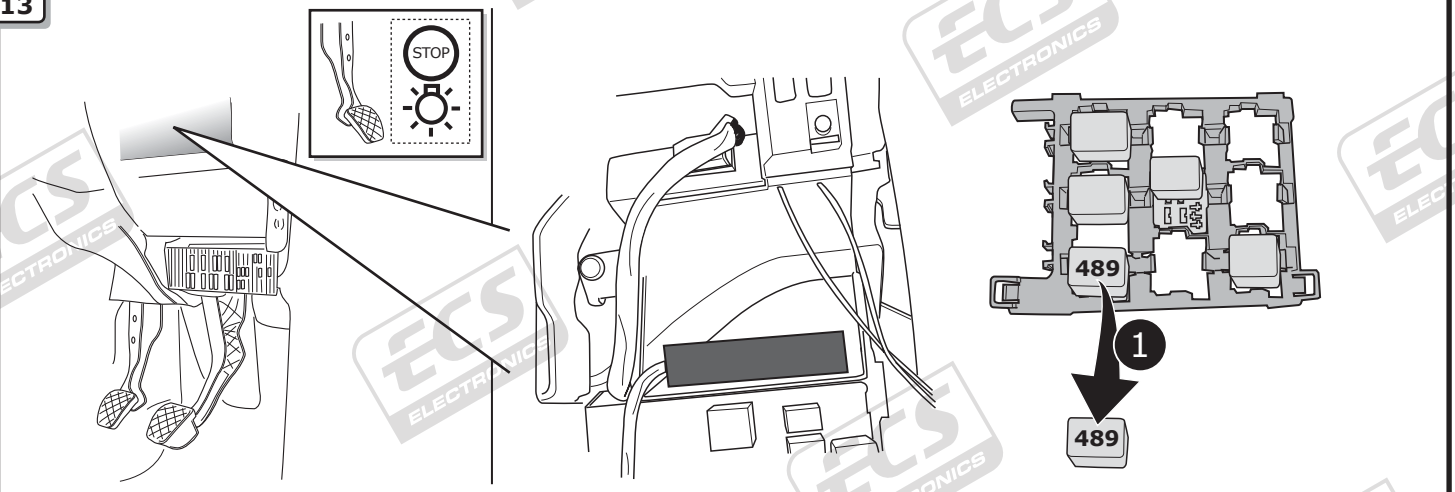
! Only for Model 2004→2006



12

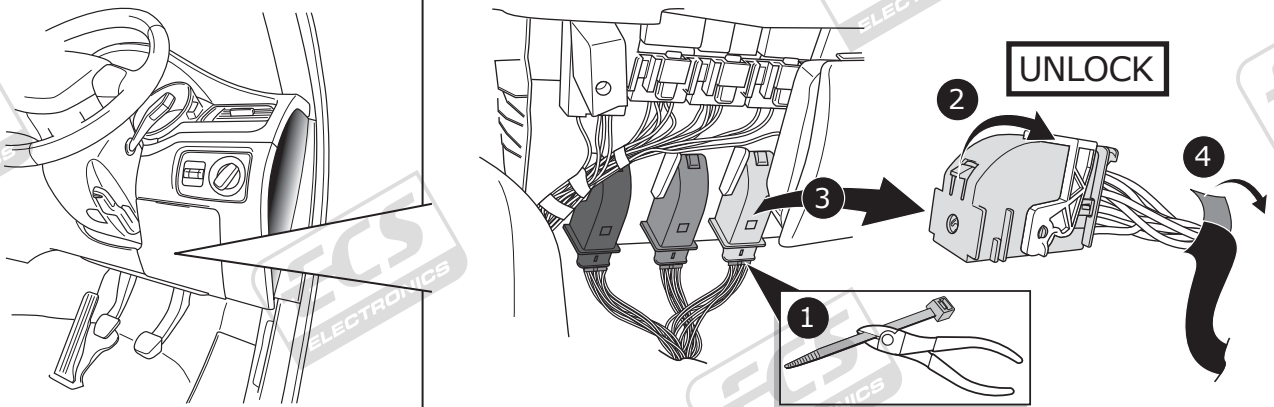


13

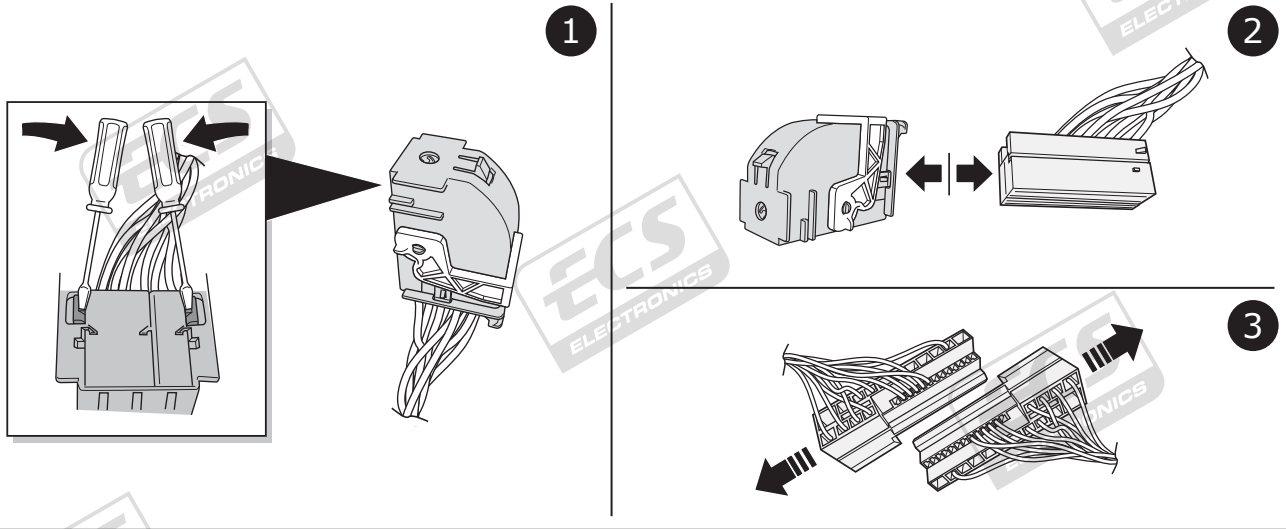


Volkswagen Caddy 2011-2012

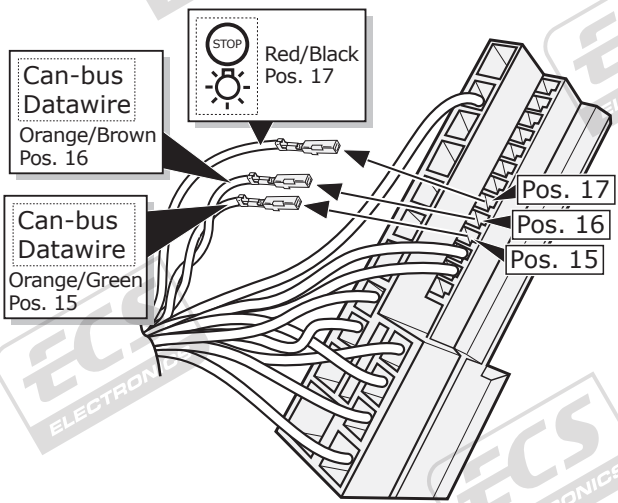
14



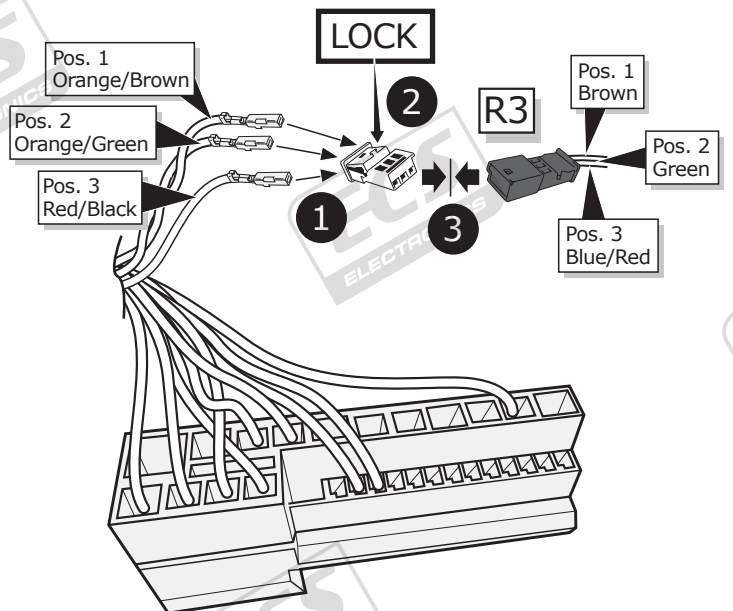
15



16

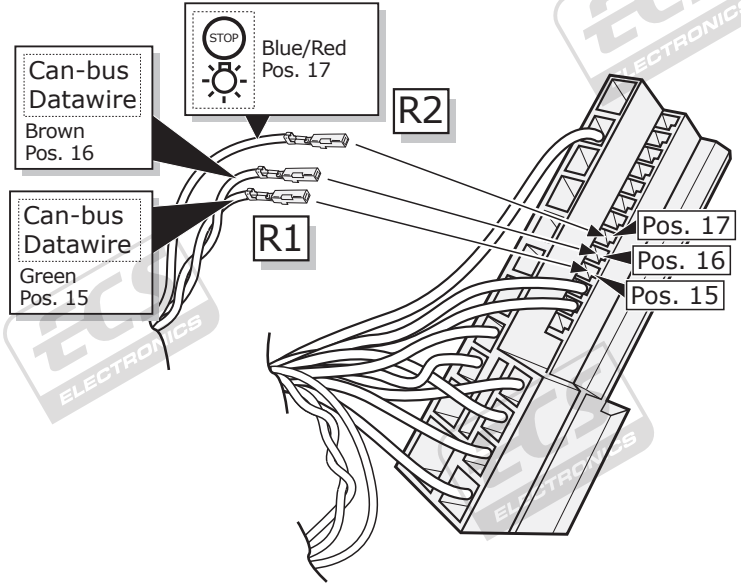


17

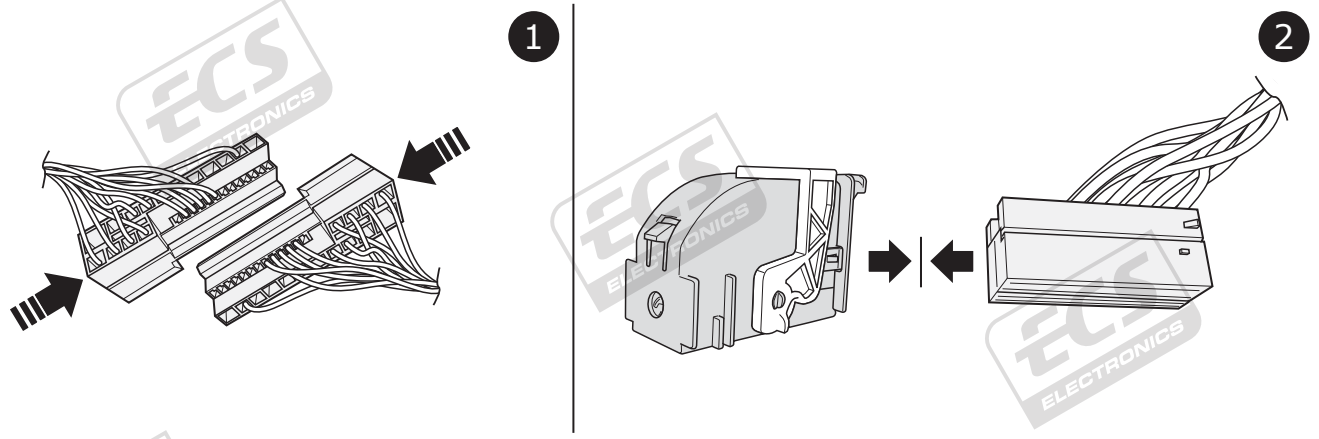


Volkswagen Caddy 2011-2012

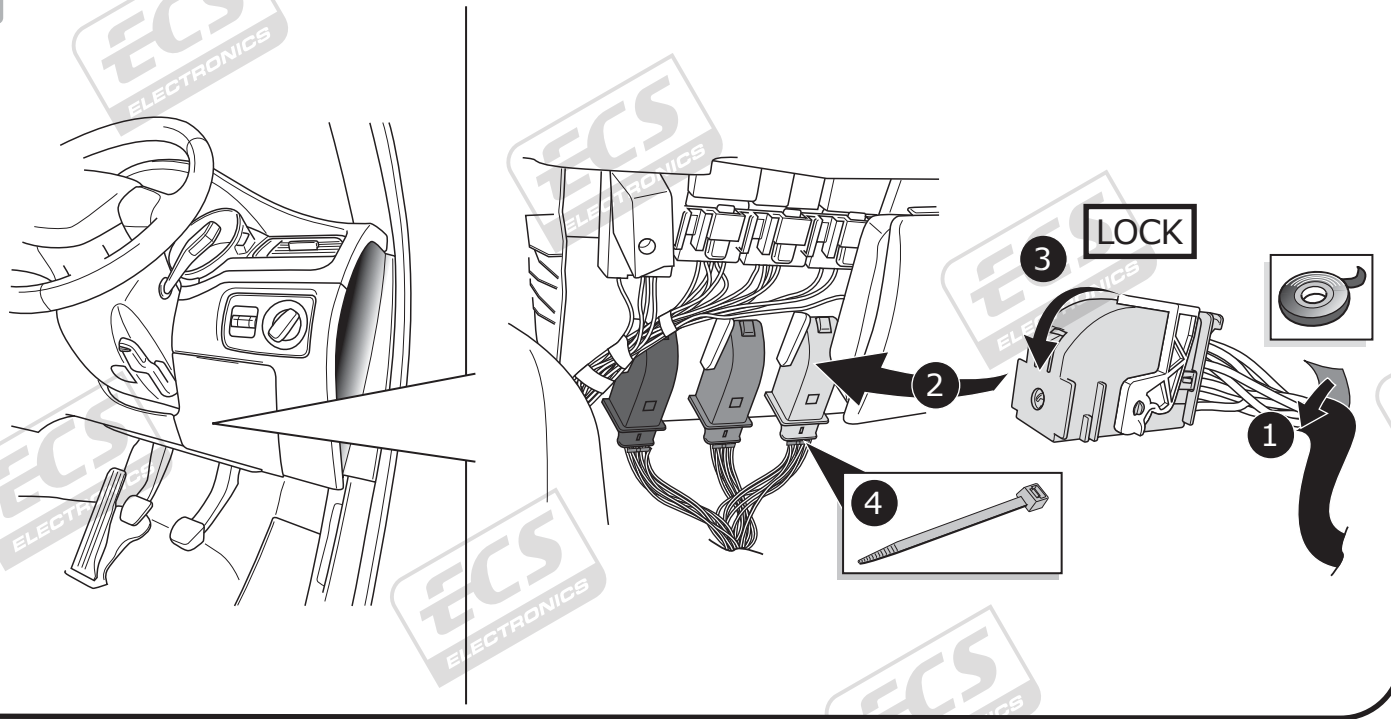
18



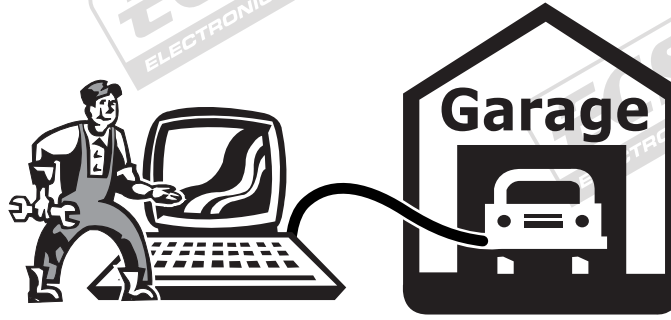
19



20

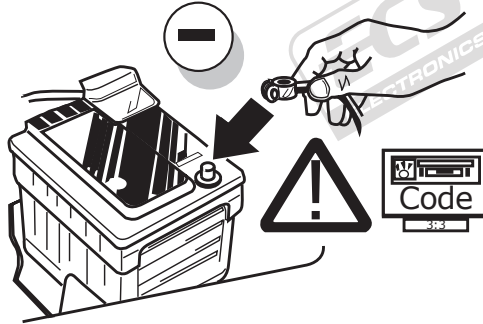


21



A VAG Service Tester must be used to code the vehicle's Gateway with the additional function for the towing hitch at the dealer.

22



23

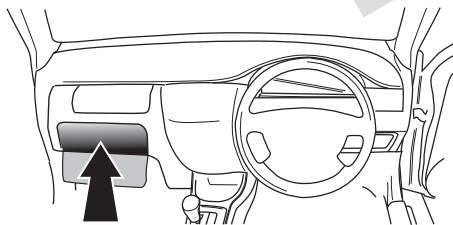


TEST ALL THE CIRCUITS WITH A TEST DEVICE WITH THE CORRECT POWER LOAD FOR EACH FUNCTION. A TEST DEVICE WITH LED'S CANNOT BE USED FOR THIS PURPOSE.

INFO

REINSTALL TRIM.

24



User guide



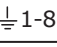







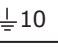
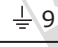
TECHNICAL SUPPORT

**CALL
07440
202
052**

ECS
ELECTRONICS

MONDAY TO FRIDAY
08.00 - 11.00 am
12.00 - 05.00 pm
t.skinner@ecs-electronics.com
www.ecs-electronicsuk.co.uk

SOCKET CONNECTION

DIN/ISO 11446												—	
	1/L	2	3/31	4/R	5/58-R	6/54	7/58-L	8	9	10	11	12	13
Pmax	21W	21W		21W	42W	3x21W	42W	21W	180W/15Amp	180W/15Amp			
Colour	Black/ White	Blue	Brown	Black/ Green	Grey/ Red	Black/ Red	Grey/ Black	Black	Red	Yellow	Brown	Red/ Blue	Brown