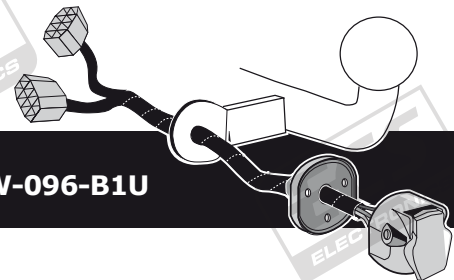


Volkswagen

- **Touran I 03/2003-07/2010**
- **Touran I 08/2010-08/2015**

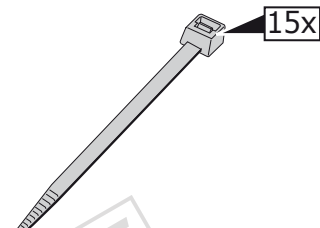
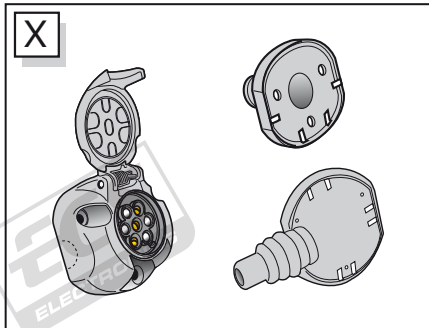
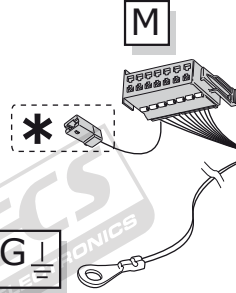
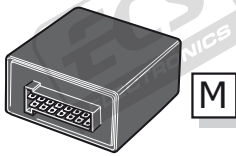
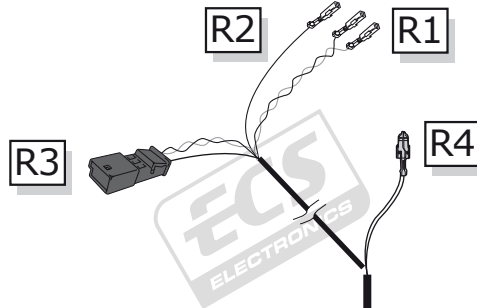
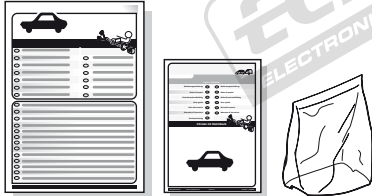
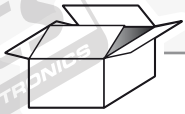
Partnr.: VW-096-B1U




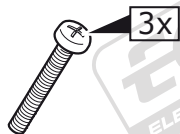
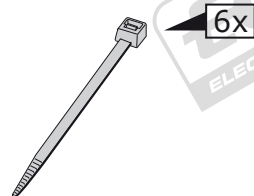
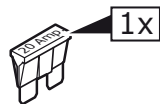
- Fitting instructions electric wiring kit tow bar with 12-N socket up to DIN/ISO Norm 1724.
- We would expressly point out that assembly not carried out properly by a competent installer will result in cancellation of any right to damage compensation, in particular those arising by virtue of the product liability act.
- Contents of these kits and their fitting manuals are subject to alteration without notice, please ensure that these instructions are read and fully understood before commencing installation.
- Do not overload circuits; the maximum loads per connection are detailed in this manual.
- Attention! Before Installation, please read this manual carefully and inform your customer to consult the vehicle owners manual to check for any vehicle modifications required before towing.
- In the event of functional problems, troubleshooting must be limited to about 0.5 hours, contact the technical support:
t.skinner@ecs-electronics.com / 07440 202 052.



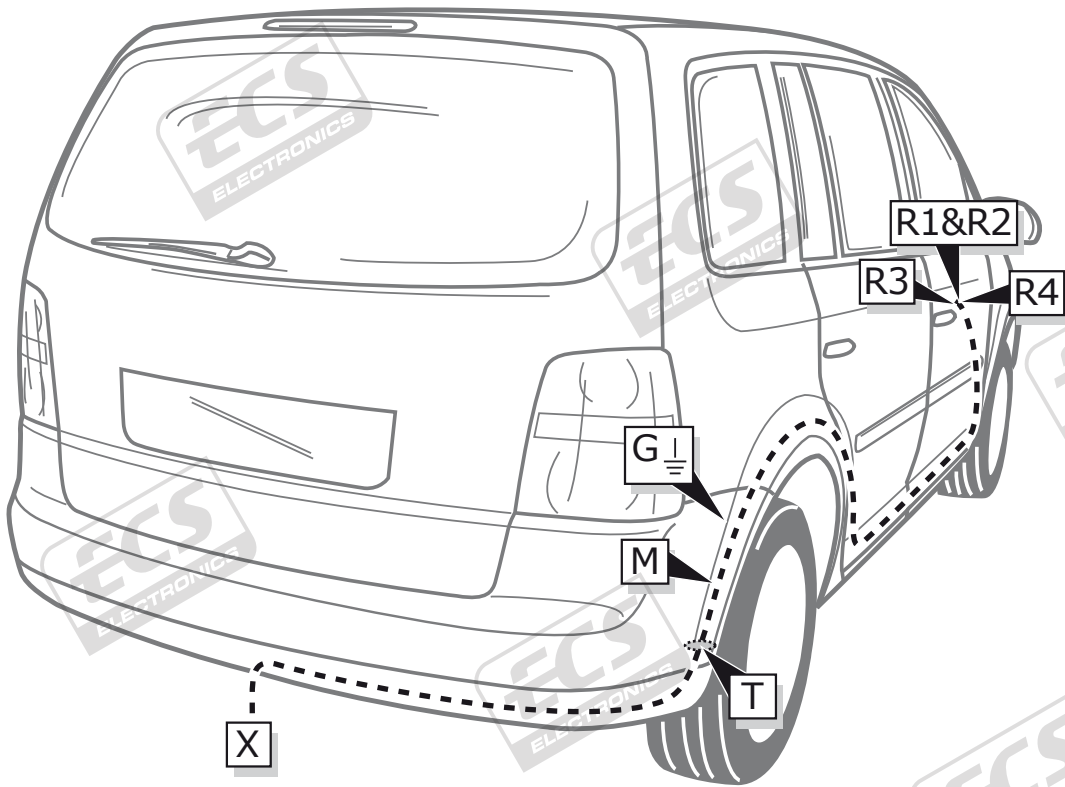
Part list



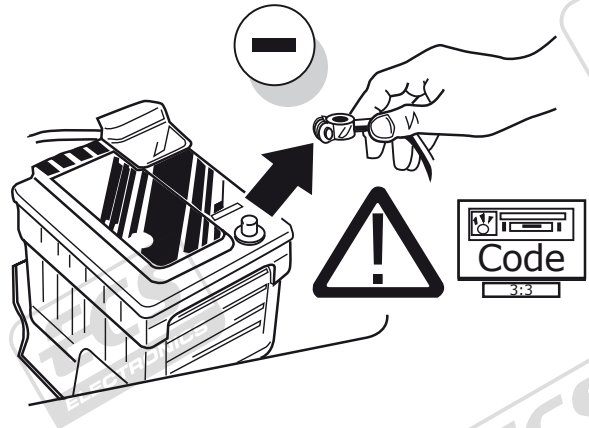
* Reverse signal preparation
 → **Pag. 12**



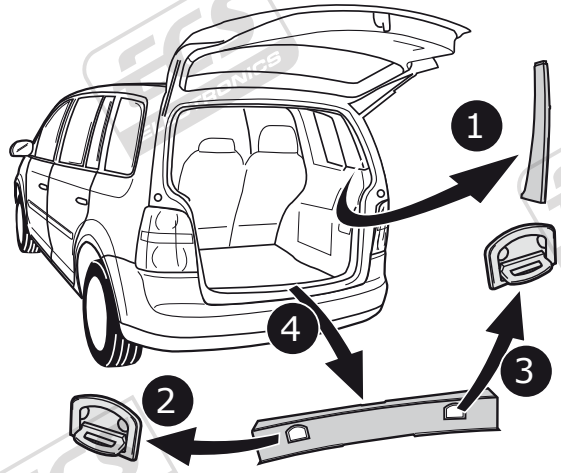
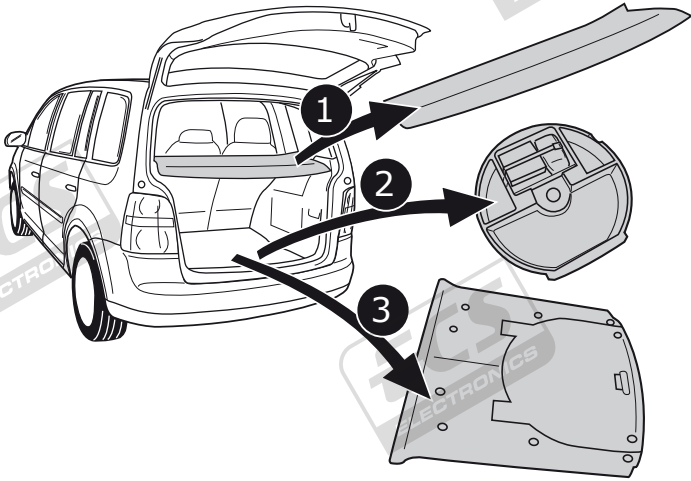
ROUTING



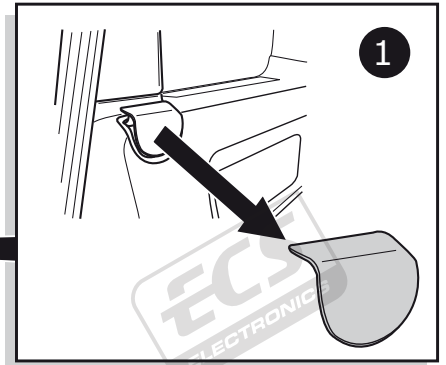
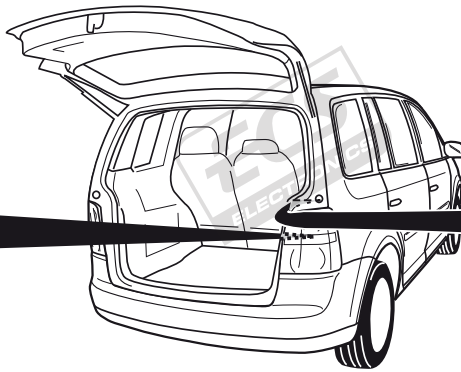
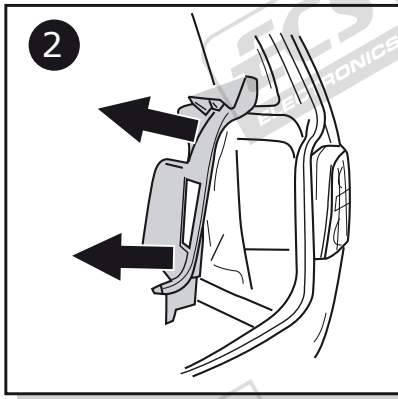
1



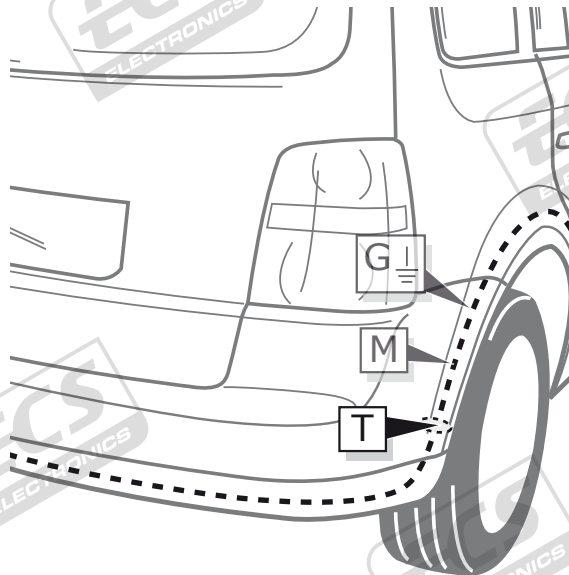
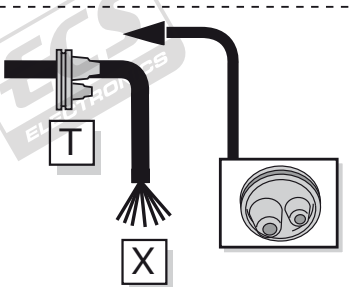
2

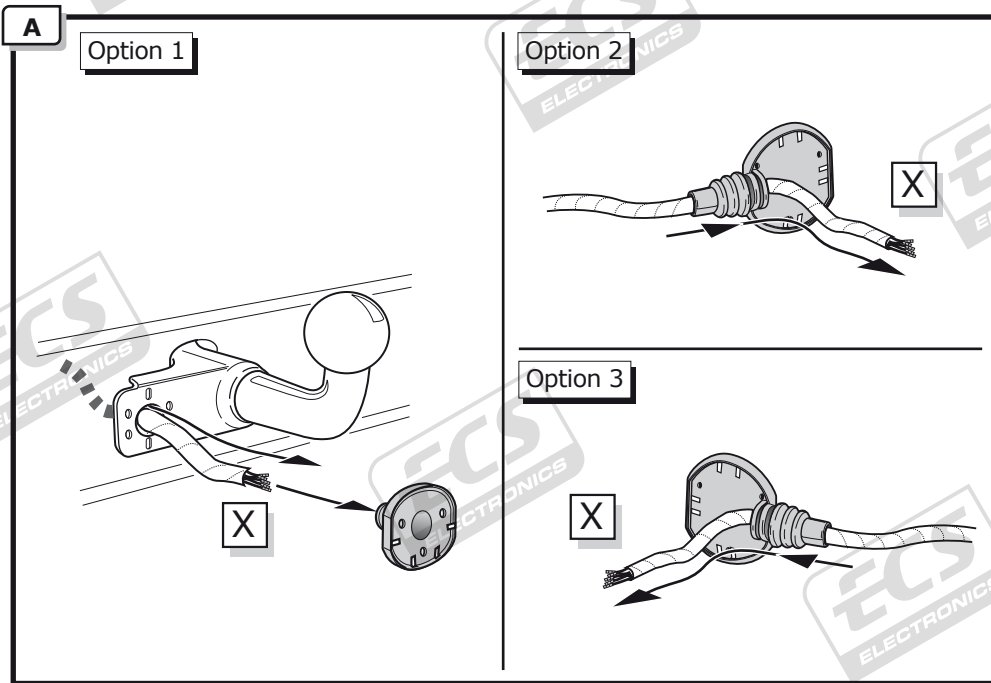


3



4

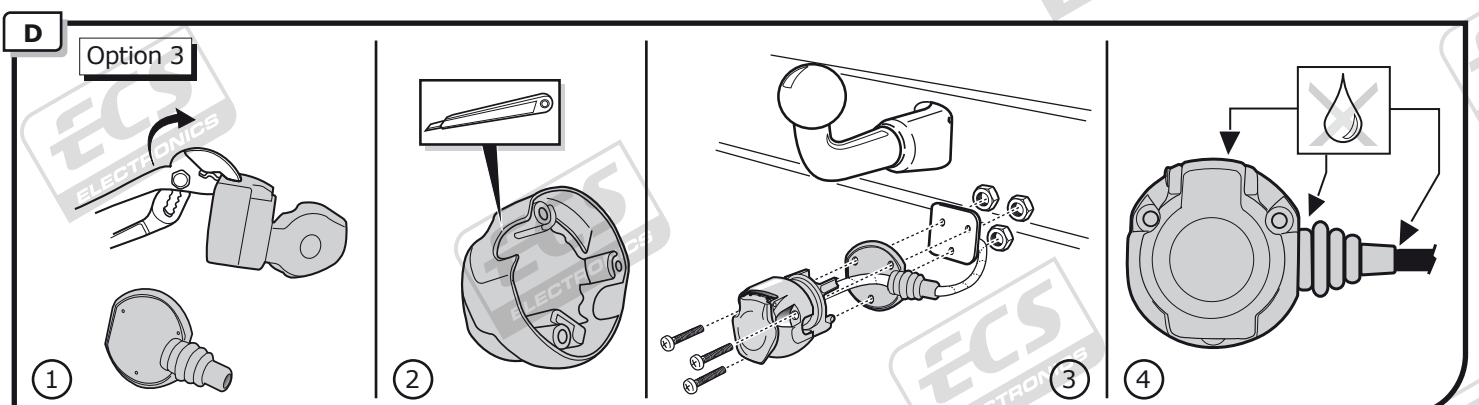
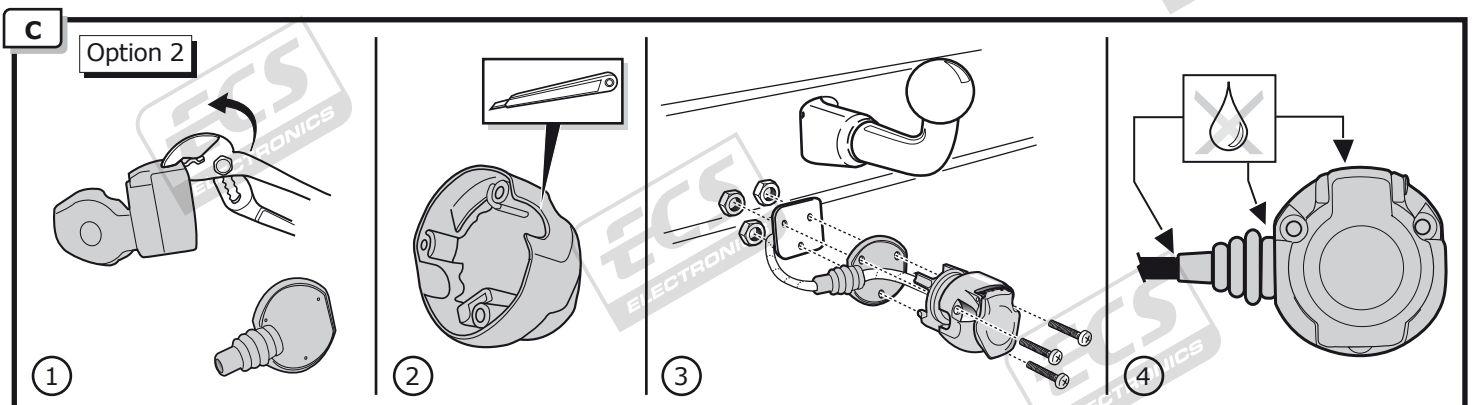
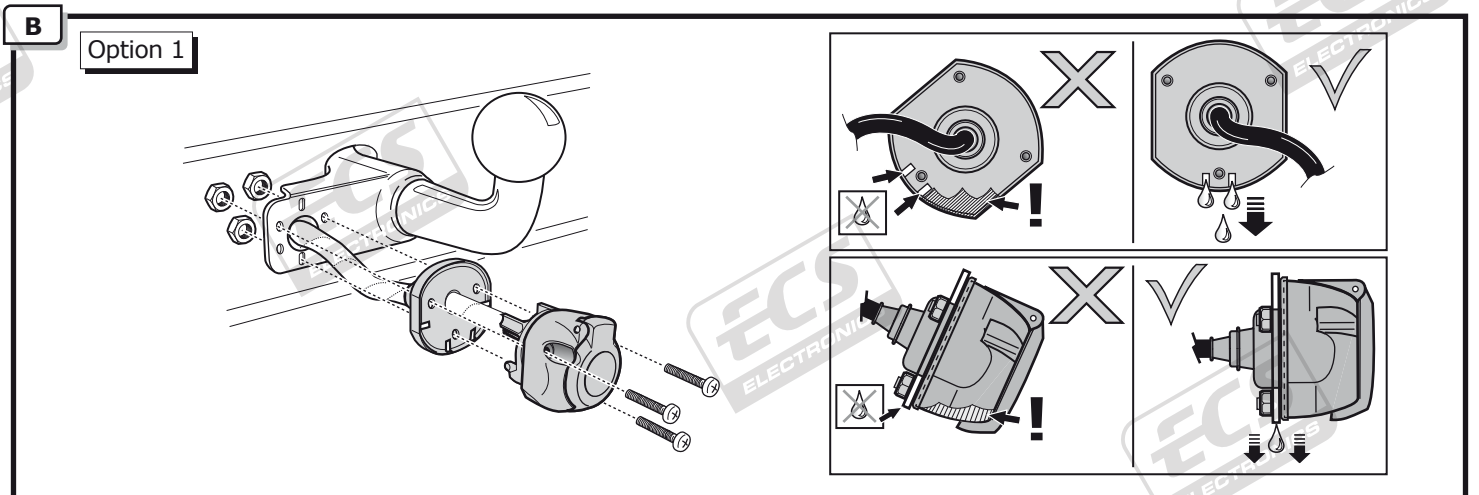


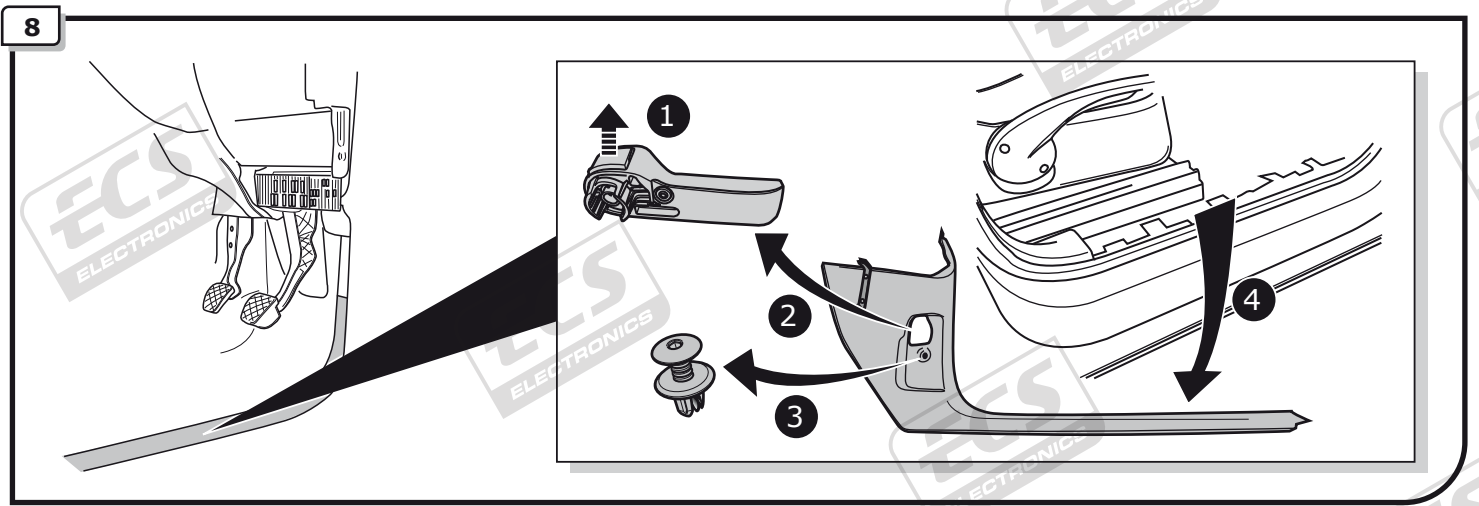
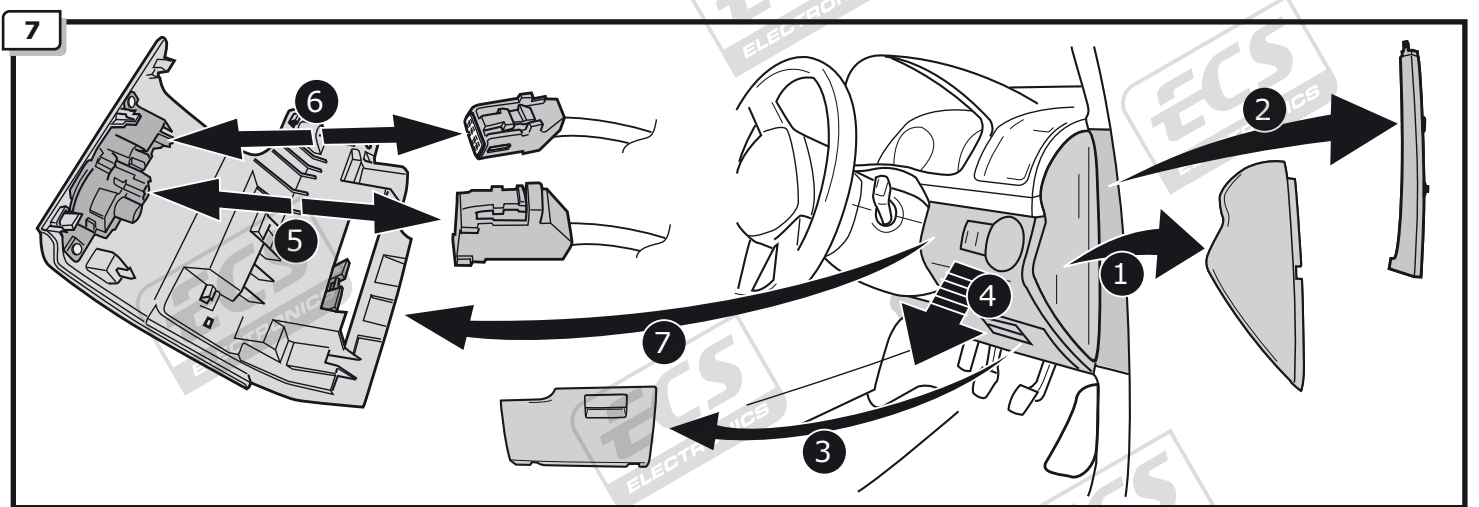
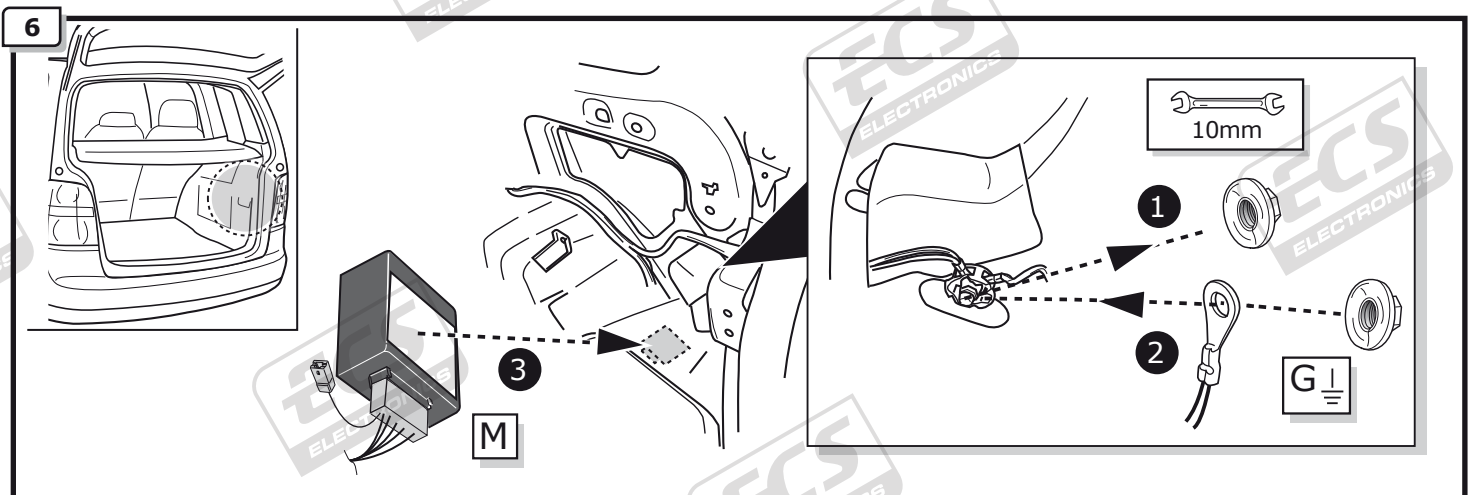
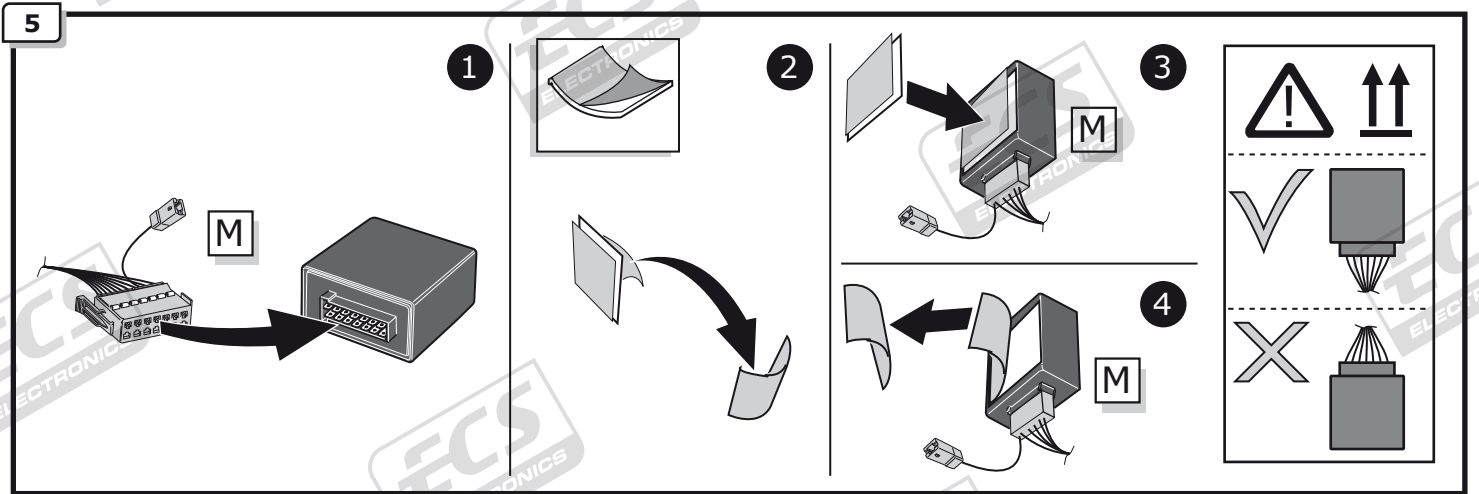


INFO

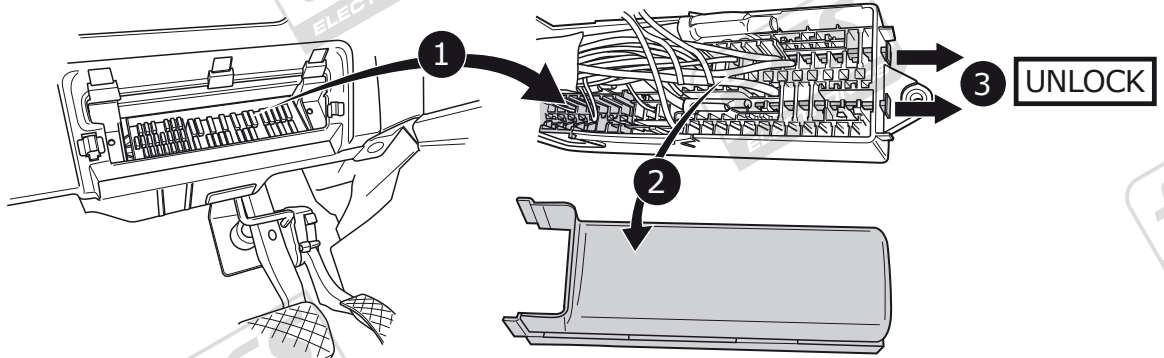
SOCKET CONNECTION

Pag. 12

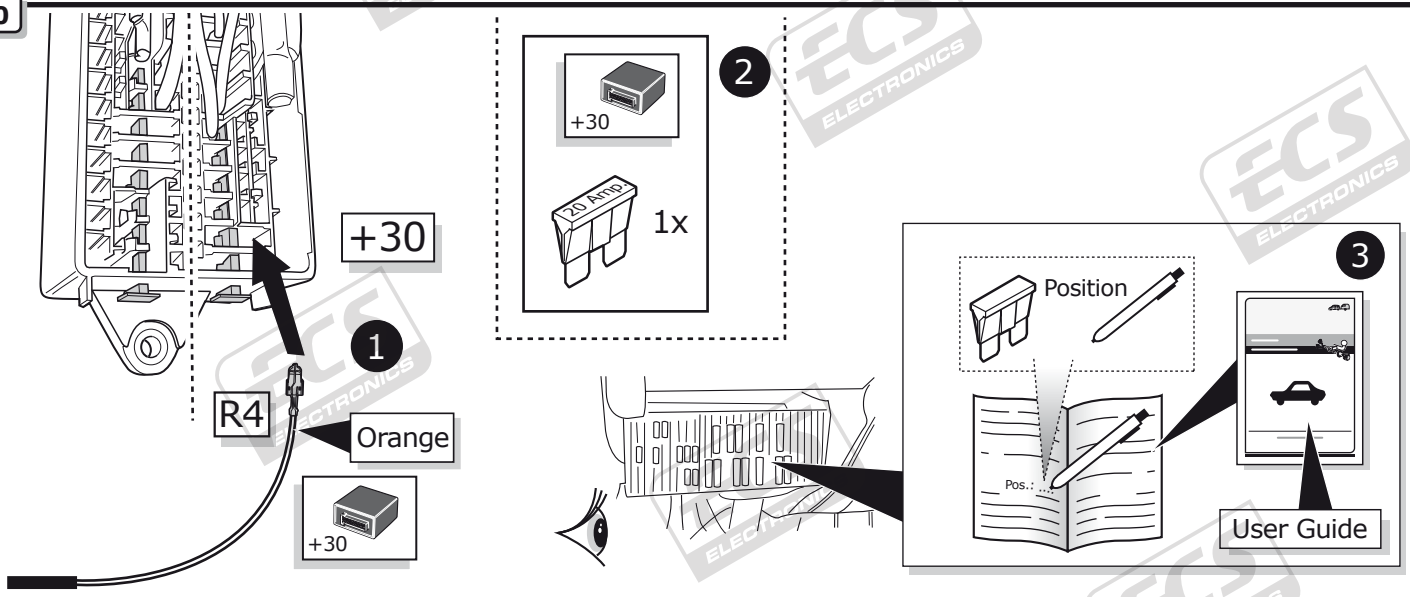




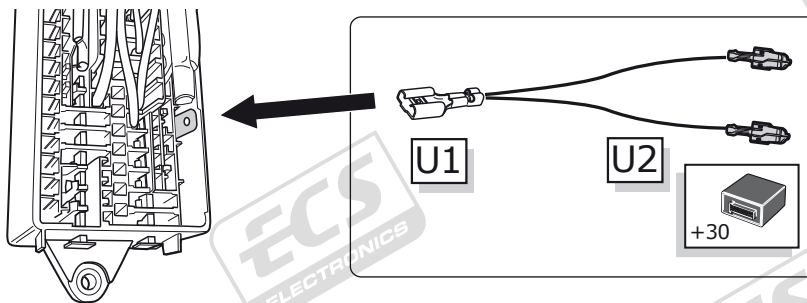
9



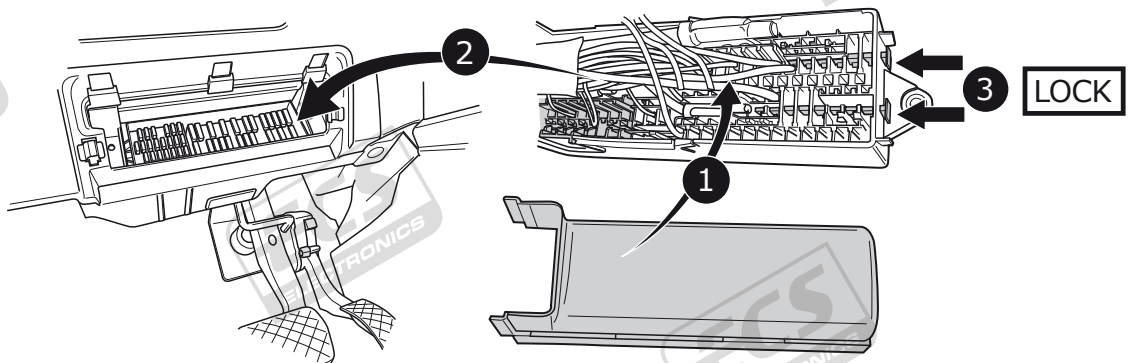
10



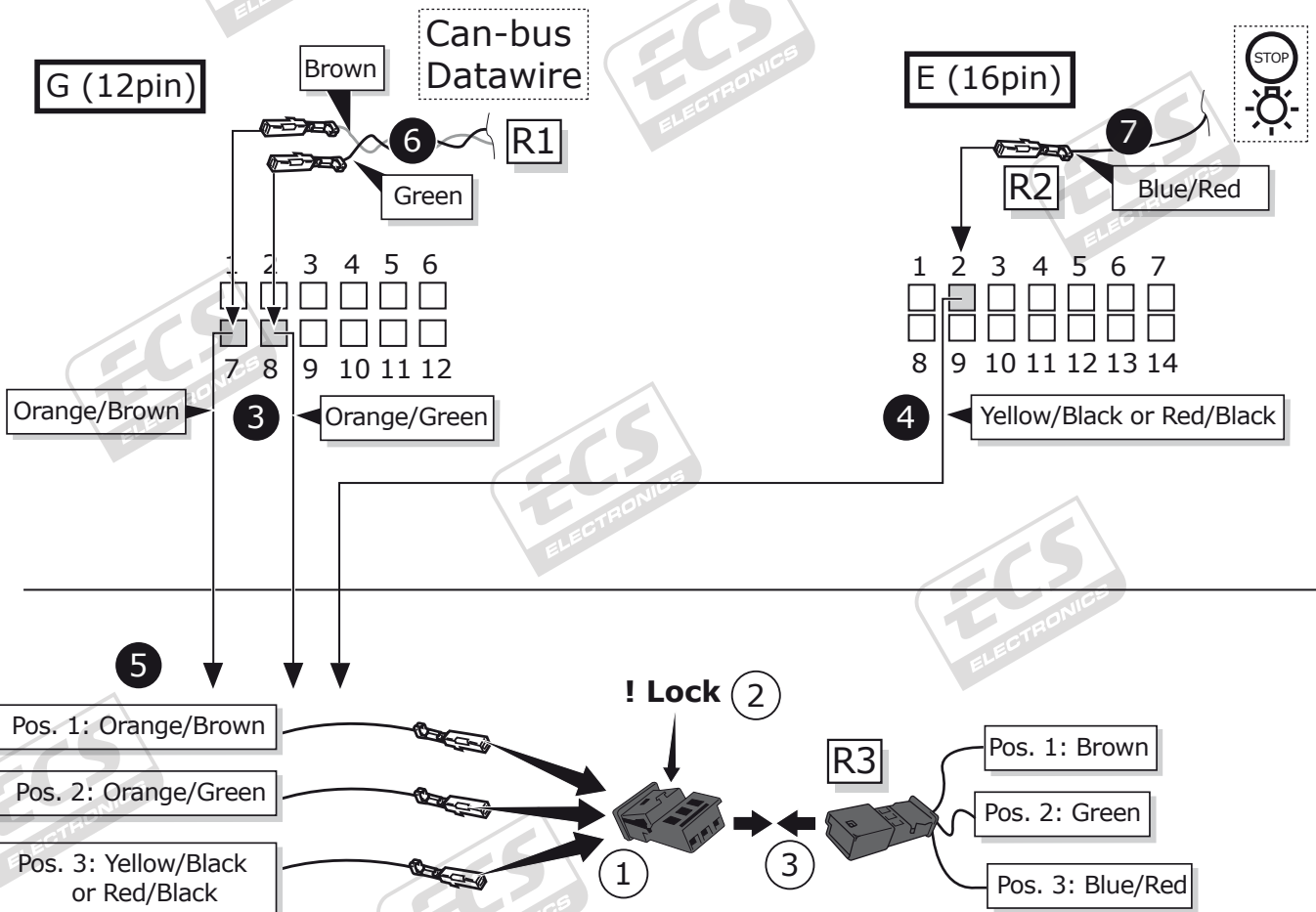
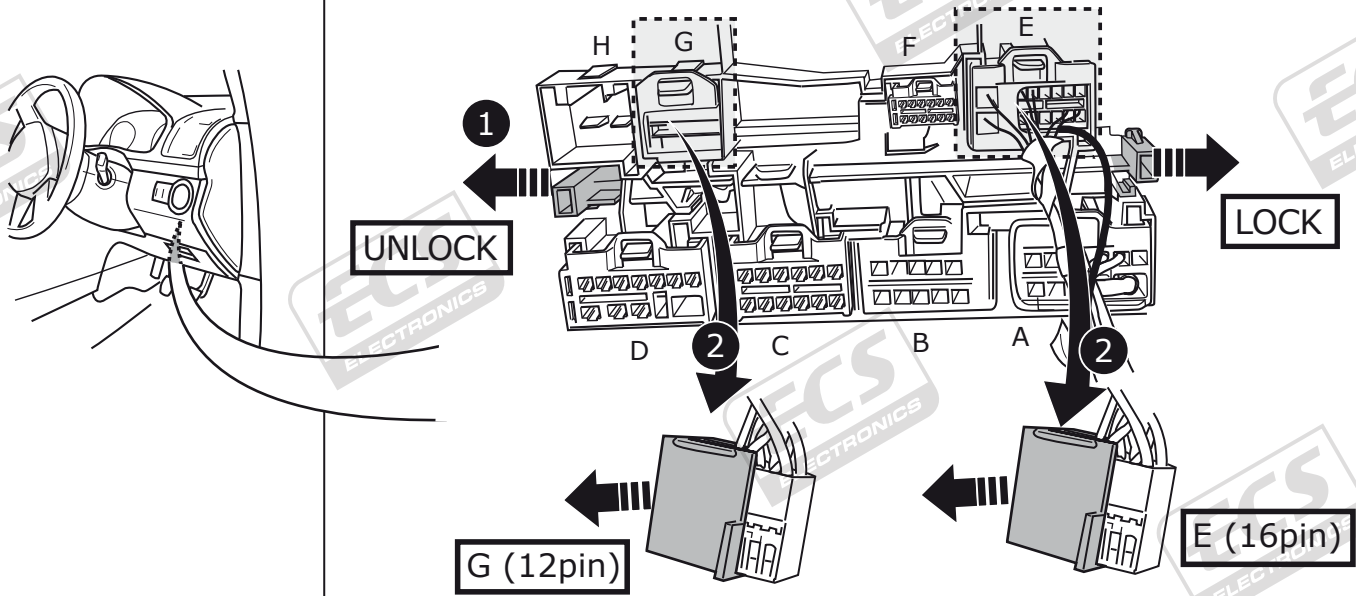
Use if there is no prepared +30 location:



11

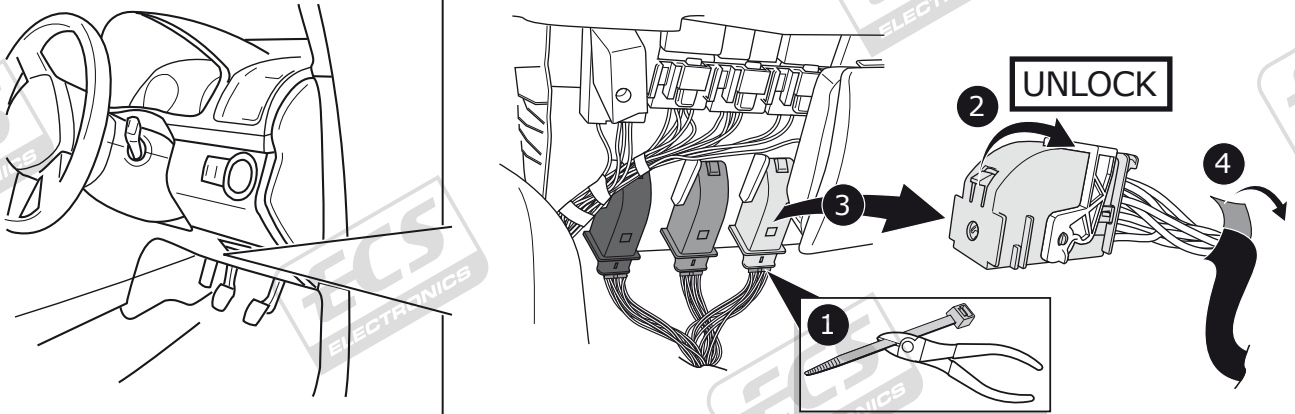


12

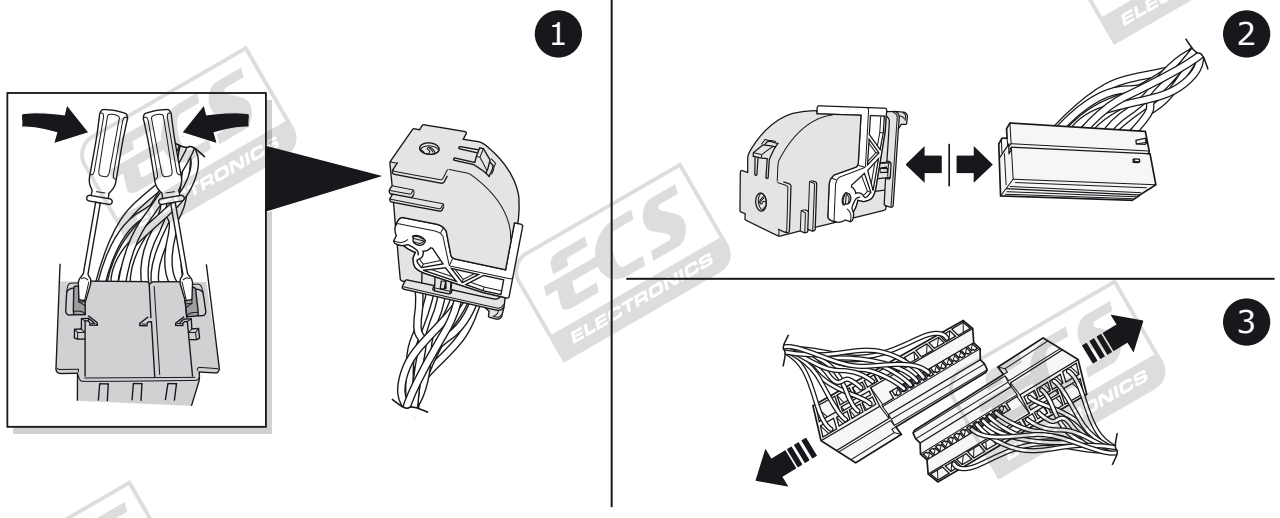


Volkswagen Touran 2011-2012

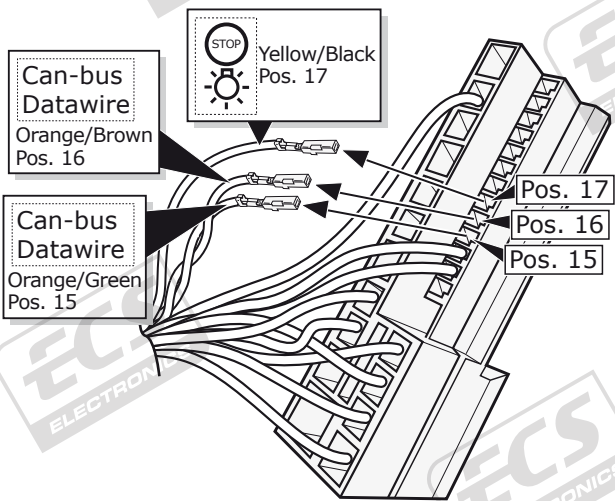
13



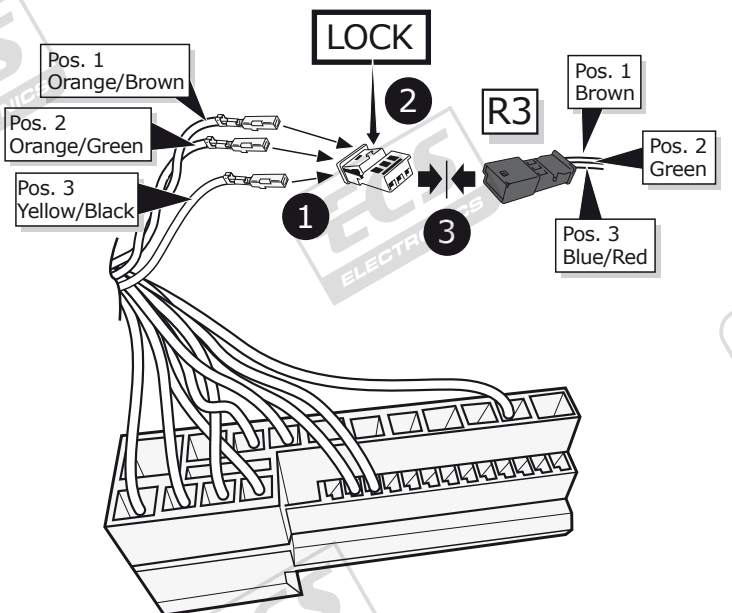
14



15

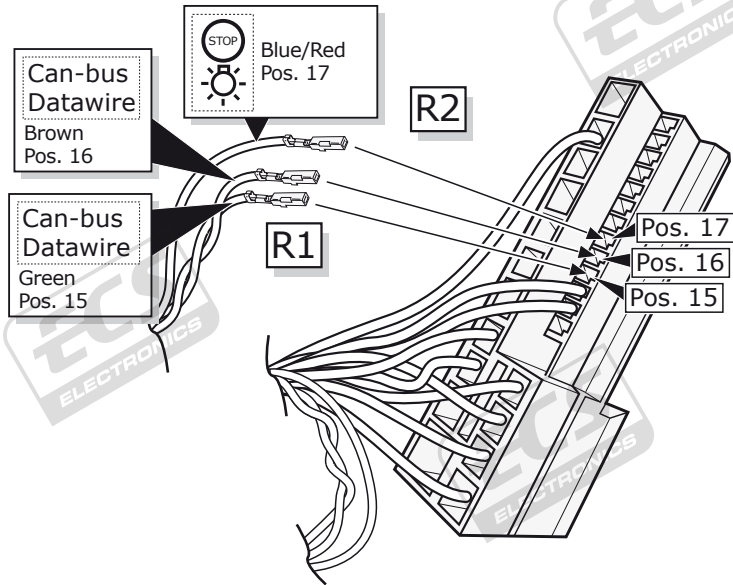


16

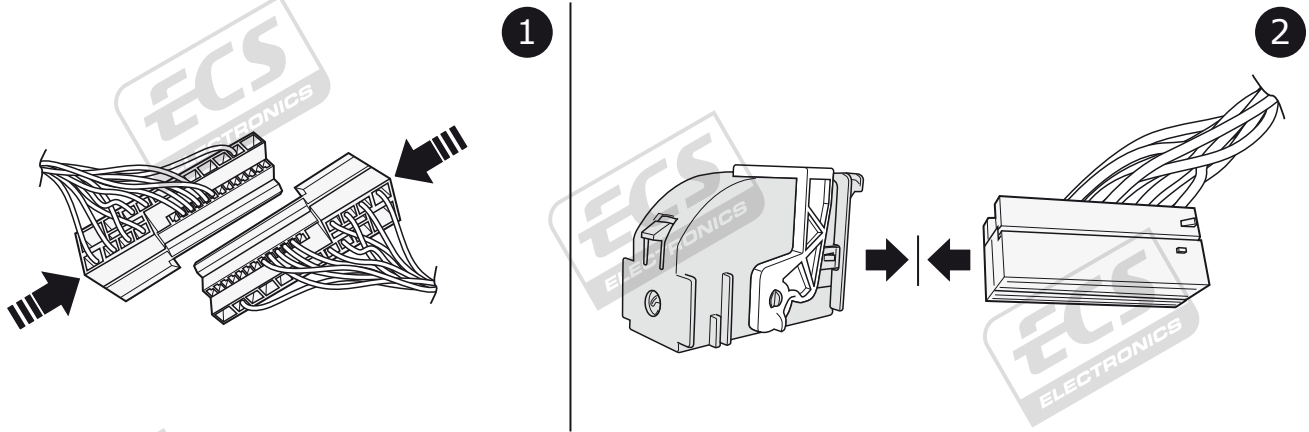


Volkswagen Touran 2011-2012

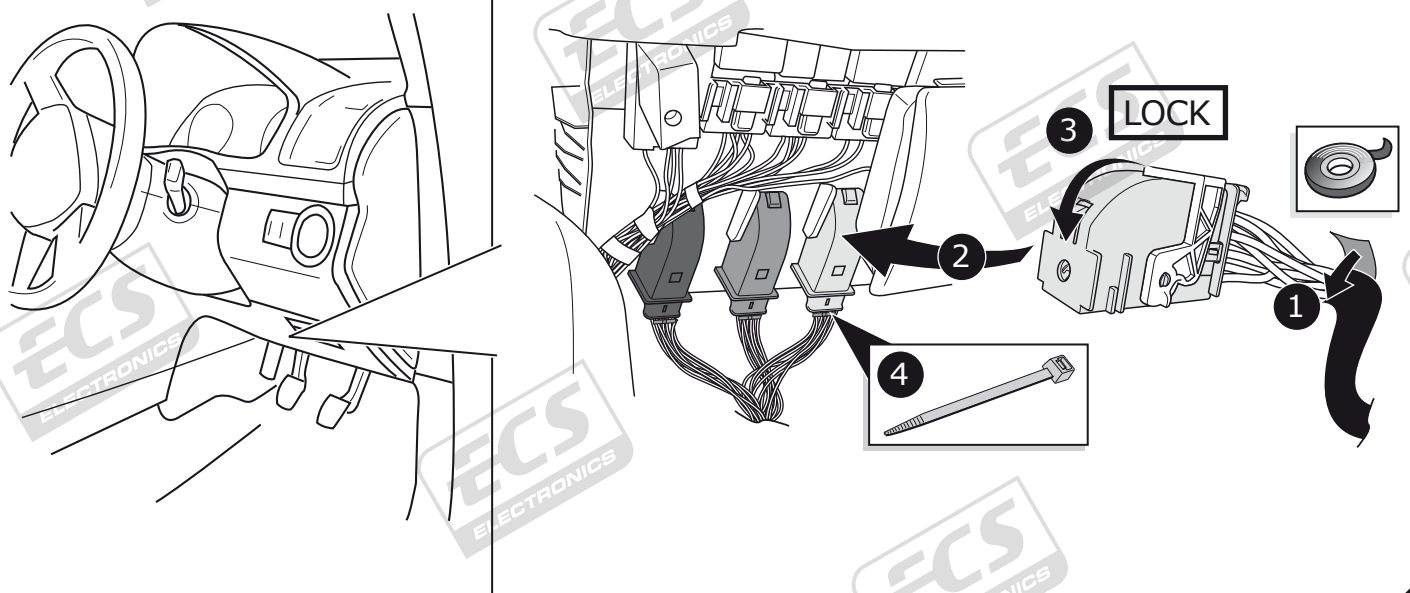
17



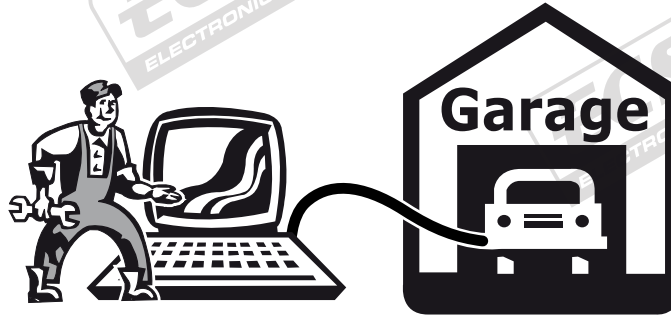
18



19

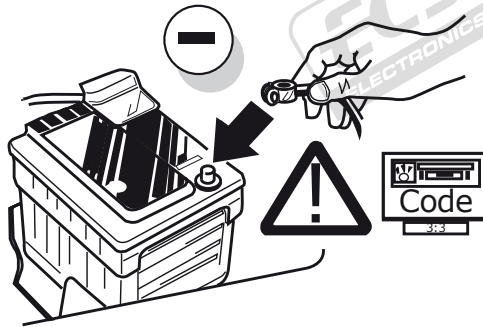


20



A VAG Service Tester must be used to code the vehicle's Gateway with the additional function for the towing hitch at the dealer.

21



22

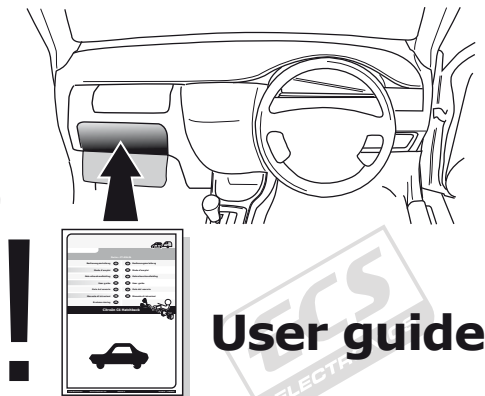


TEST ALL THE CIRCUITS WITH A TEST DEVICE WITH THE CORRECT POWER LOAD FOR EACH FUNCTION. A TEST DEVICE WITH LED'S CANNOT BE USED FOR THIS PURPOSE.

INFO

REINSTALL TRIM.

23



TECHNICAL SUPPORT

**CALL
07440
202
052**

ECS ELECTRONICS

MONDAY TO FRIDAY
 08.00 - 11.00 am
 12.00 - 05.00 pm
 t.skinner@ecs-electronics.com
 www.ecs-electronicsuk.co.uk

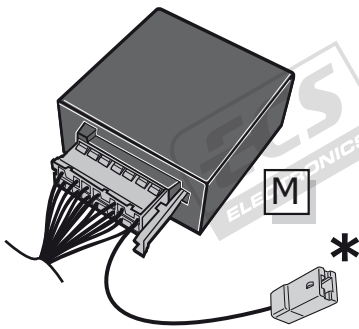
INFO

SOCKET CONNECTION

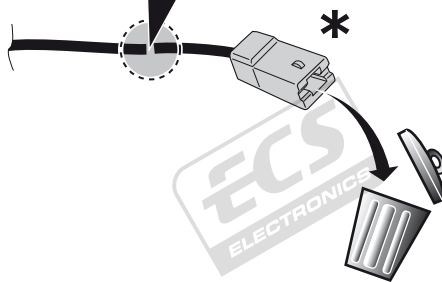
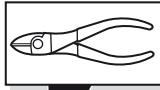
DIN/ISO 1724							
	1/L	2	3/31	4/R	5/58-R	6/54	7/58-L
Pmax	21W	21W		21W	42W	3x21W	42W
Colour	Black/White	Blue	Brown	Black/Green	Grey/Red	Black/Red	Grey/Black

Reverse signal preparation

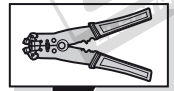
A



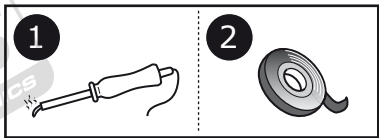
1



2



B



⚠ MAX = 21W