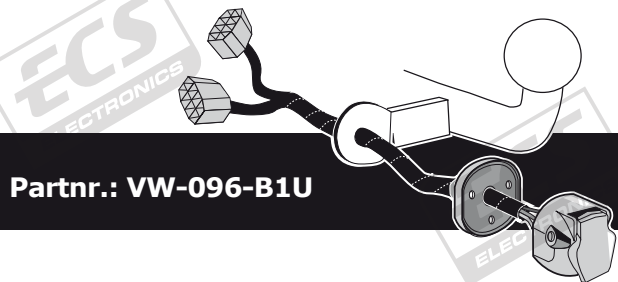


## Volkswagen

- **Caddy III 02/2004>>05/2010**
- **Caddy III 06/2010>>05/2015**
- **Caddy IV 06/2015>>**
- **Caddy Life 03/2004>>**
- **Caddy Maxi 01/2008>>**

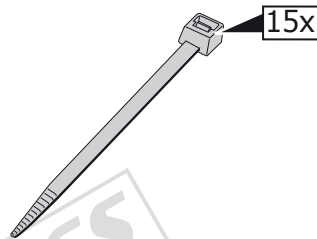
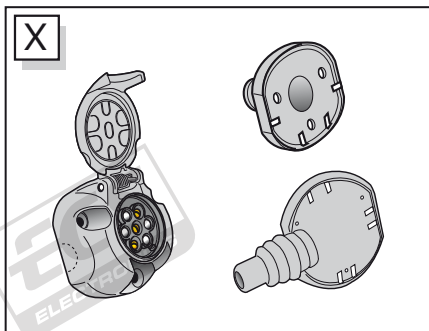
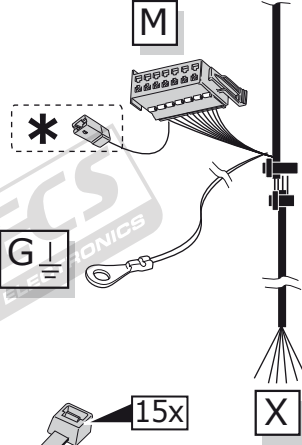
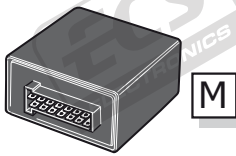
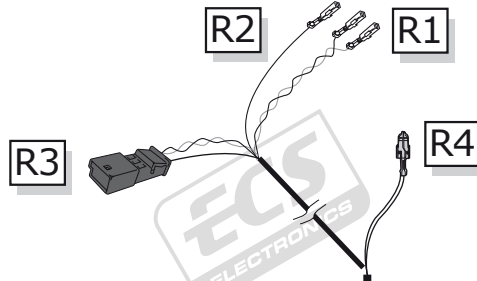
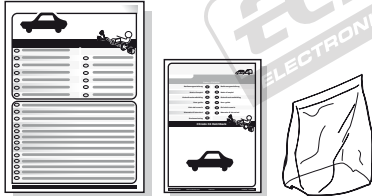
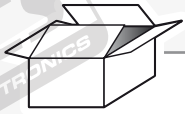


Partnr.: VW-096-B1U

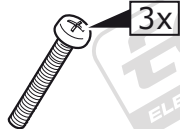
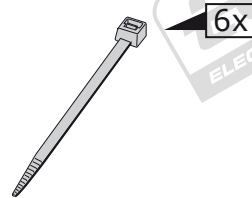
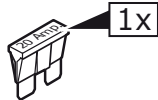
- Fitting instructions electric wiring kit tow bar with 12-N socket up to DIN/ISO Norm 1724.
- We would expressly point out that assembly not carried out properly by a competent installer will result in cancellation of any right to damage compensation, in particular those arising by virtue of the product liability act.
- Contents of these kits and their fitting manuals are subject to alteration without notice, please ensure that these instructions are read and fully understood before commencing installation.
- Do not overload circuits; the maximum loads per connection are detailed in this manual.
- Attention! Before Installation, please read this manual carefully and inform your customer to consult the vehicle owners manual to check for any vehicle modifications required before towing.
- In the event of functional problems, troubleshooting must be limited to about 0.5 hours, contact the technical support:  
[t.skinner@ecs-electronics.com](mailto:t.skinner@ecs-electronics.com) / 07440 202 052.



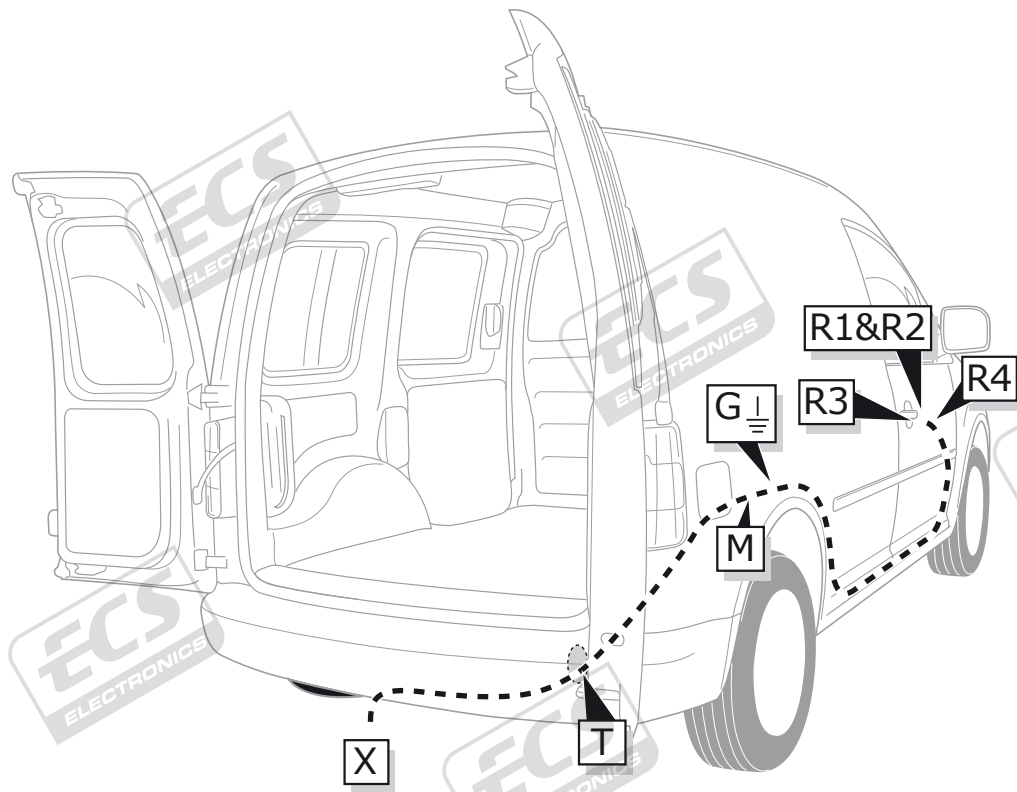
# Part list



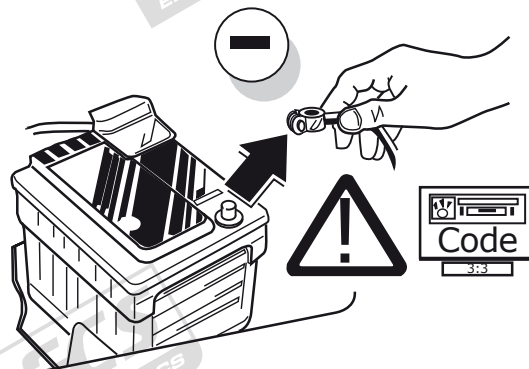
\* Reverse signal preparation  
 → **Pag. 14**



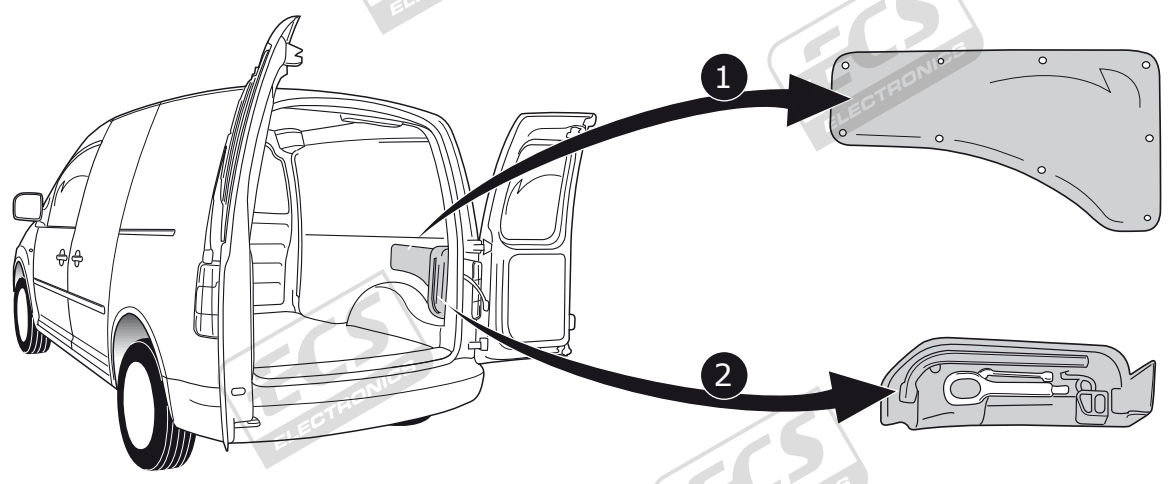
**ROUTING**



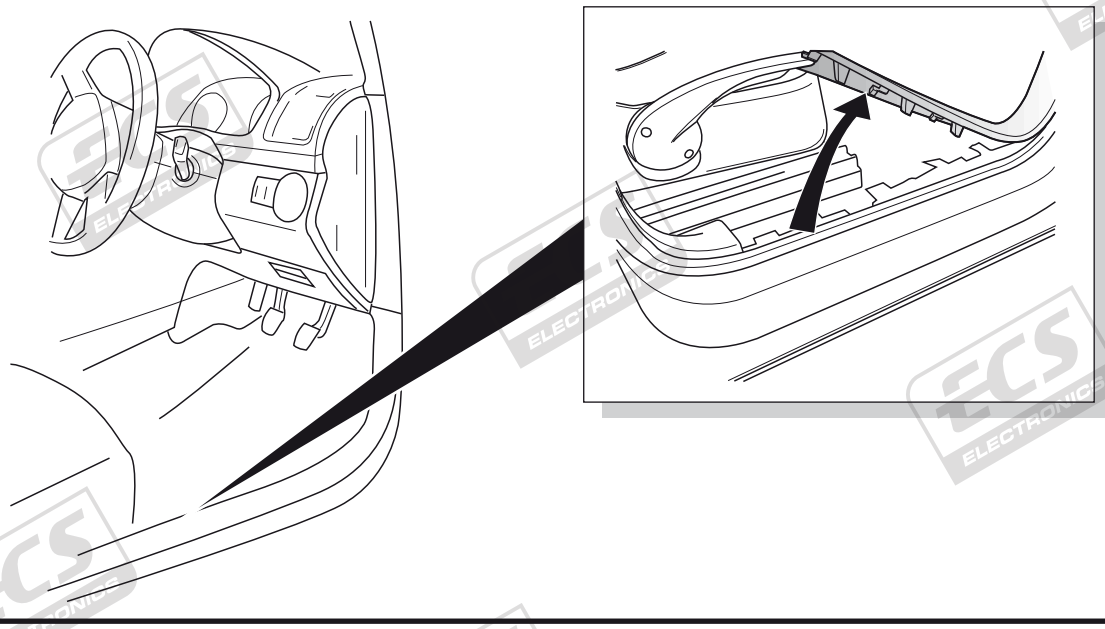
**1**



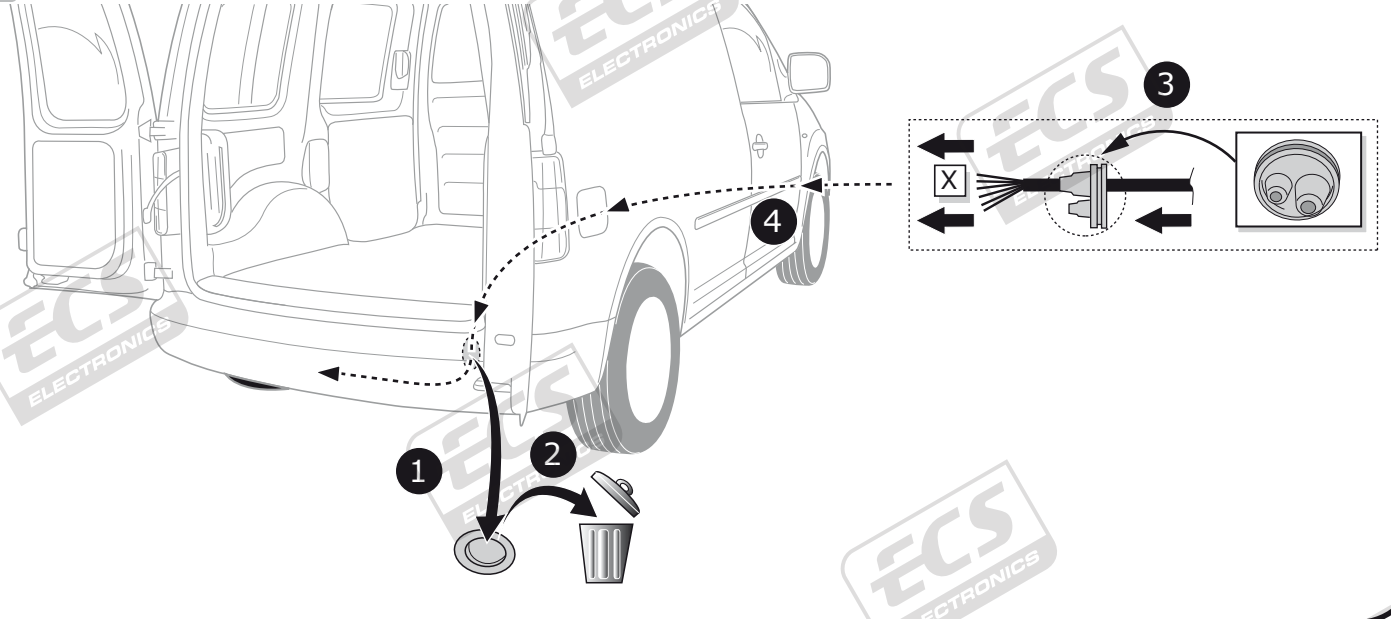
2

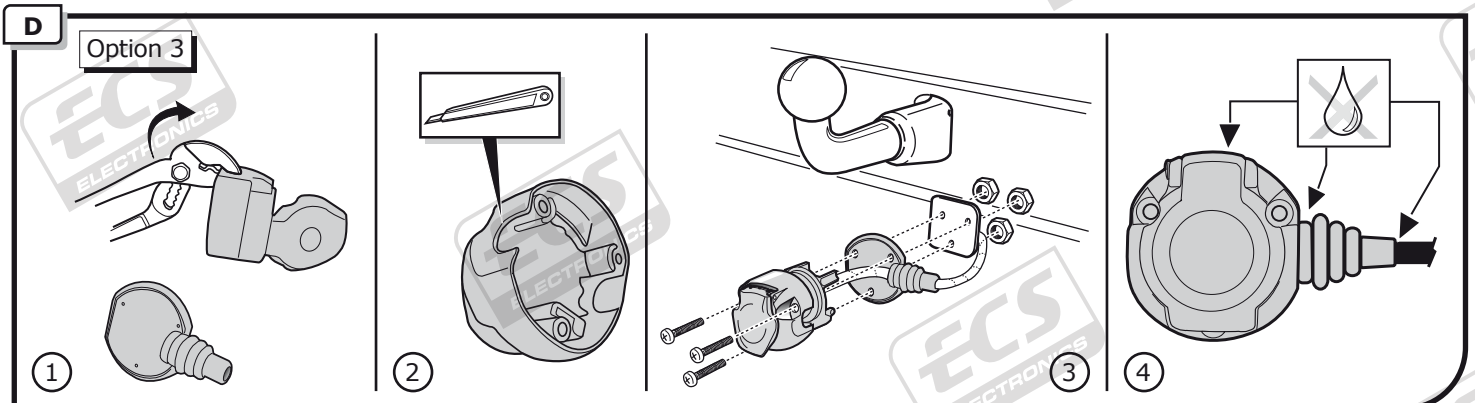
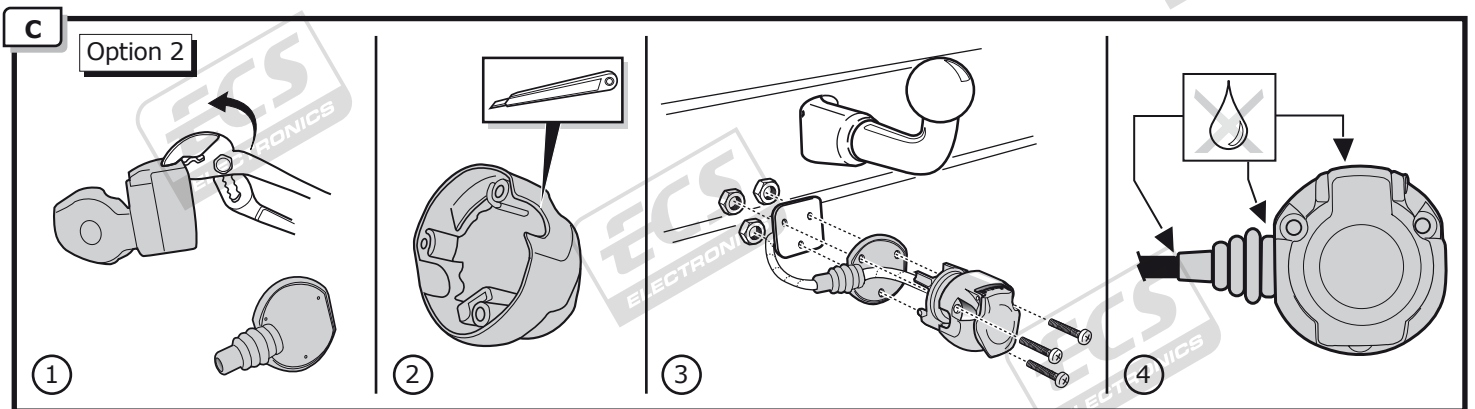
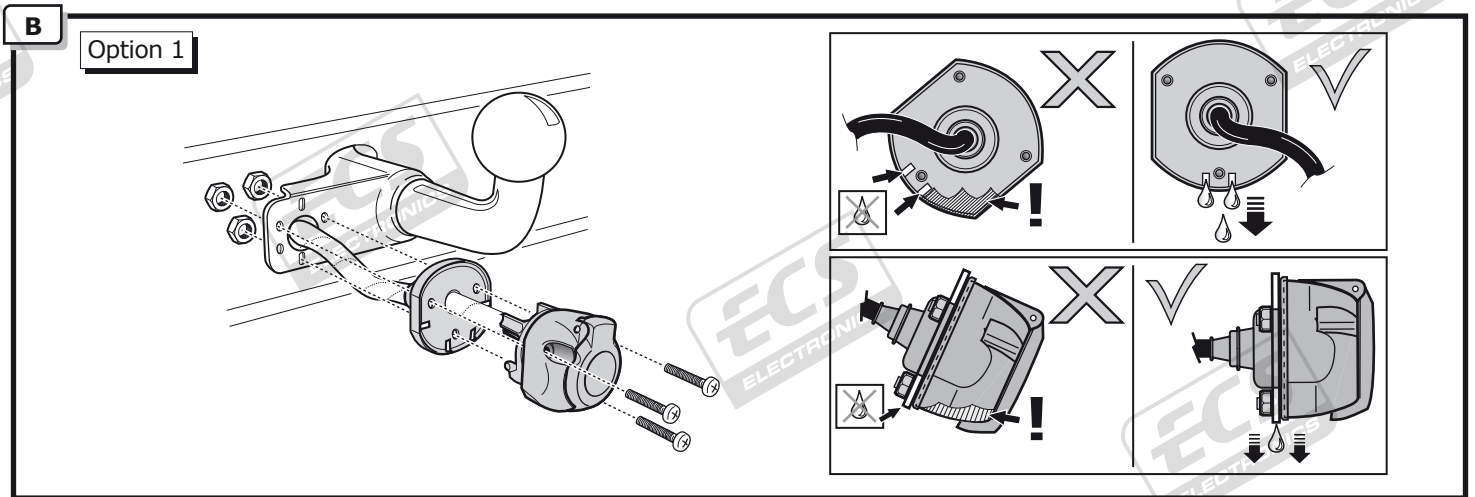
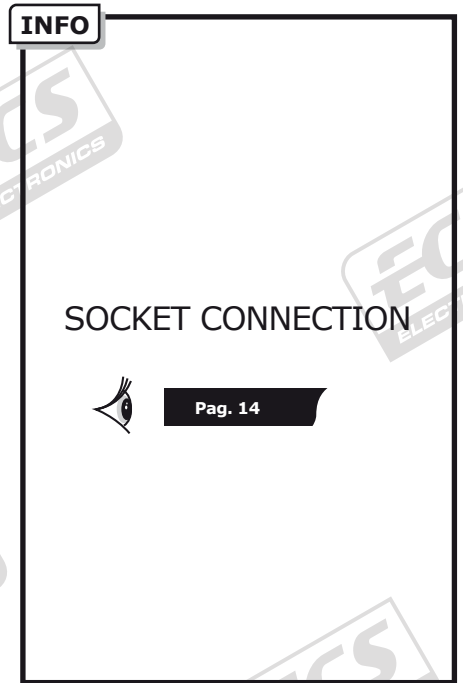
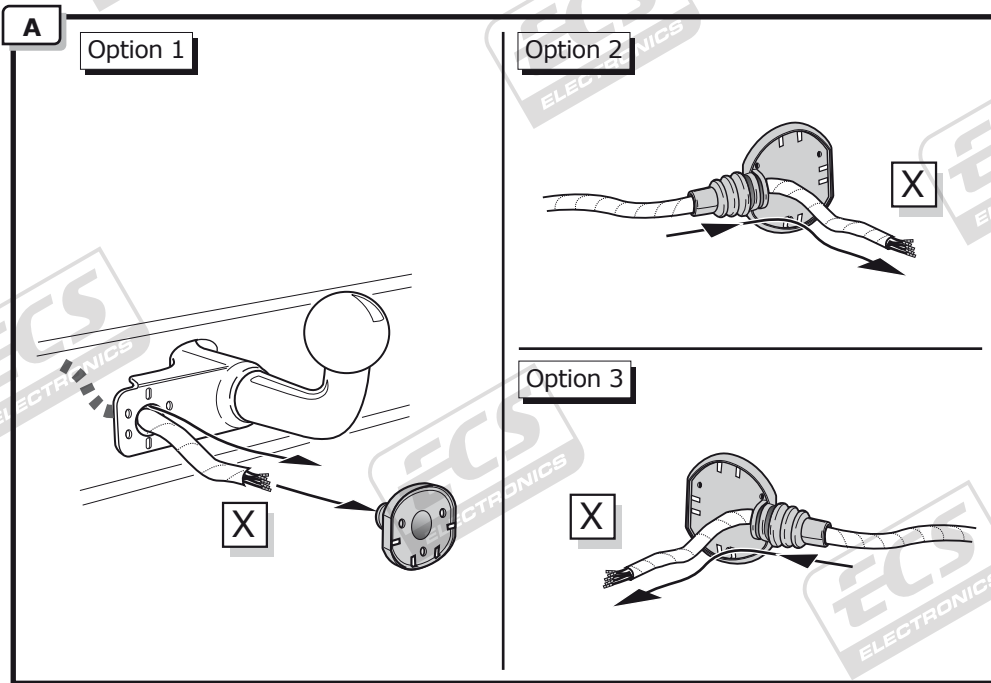


3

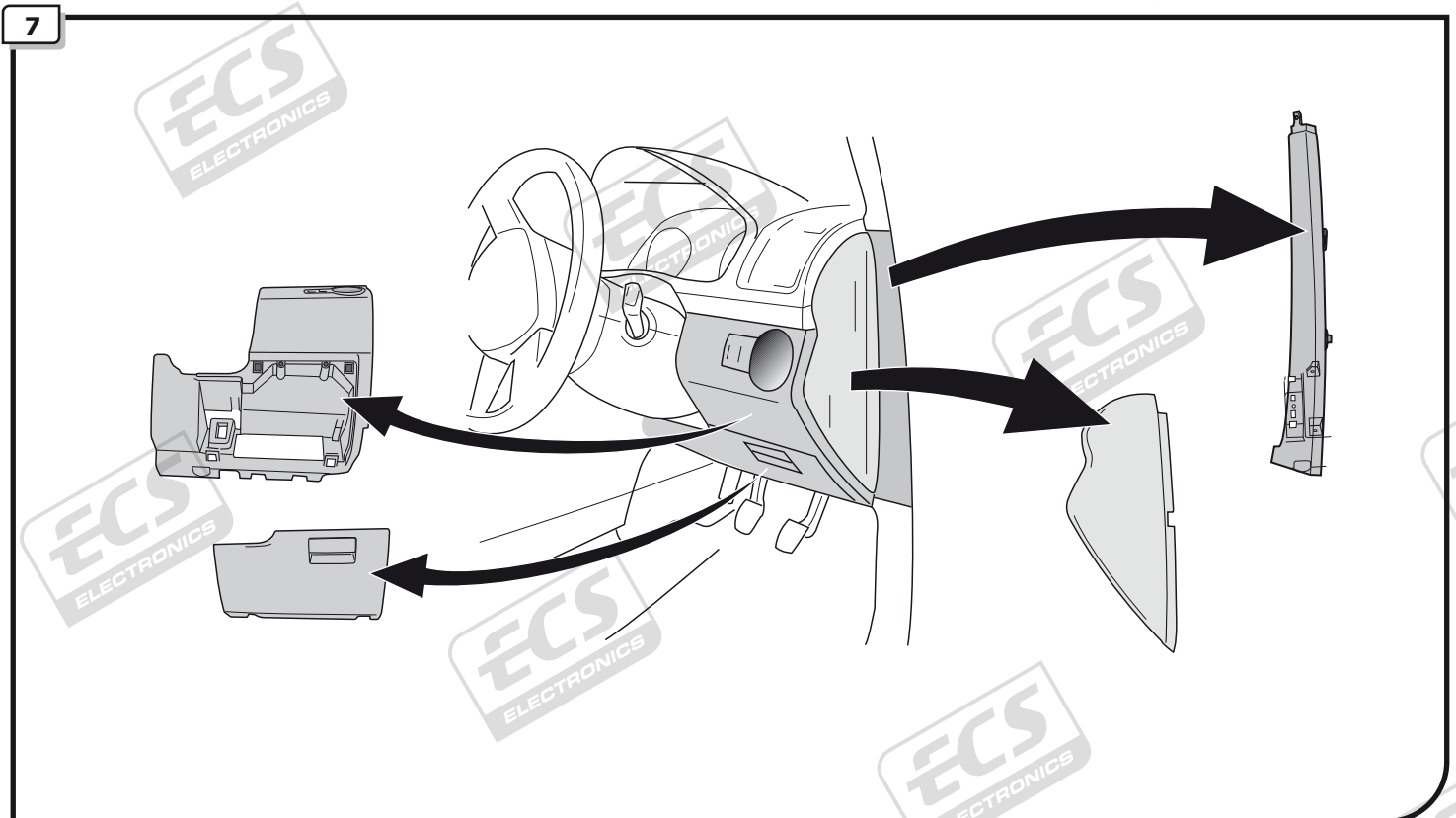
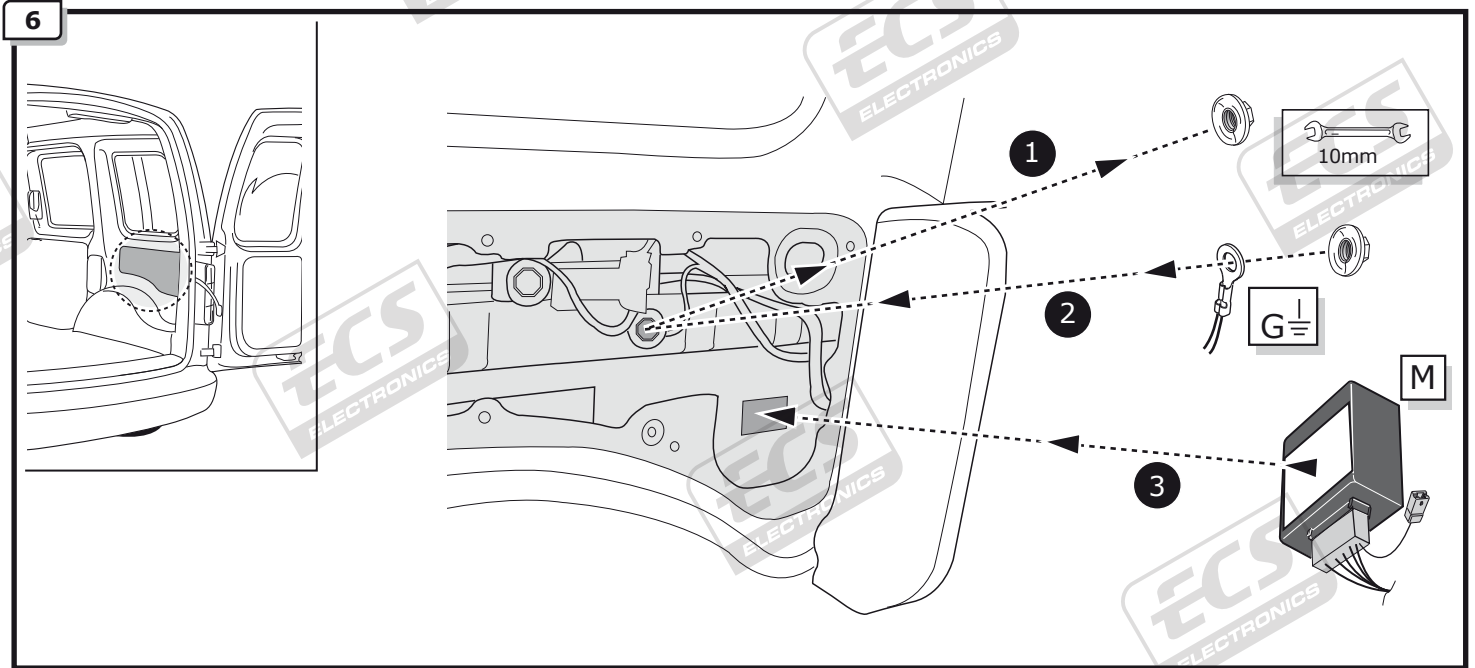
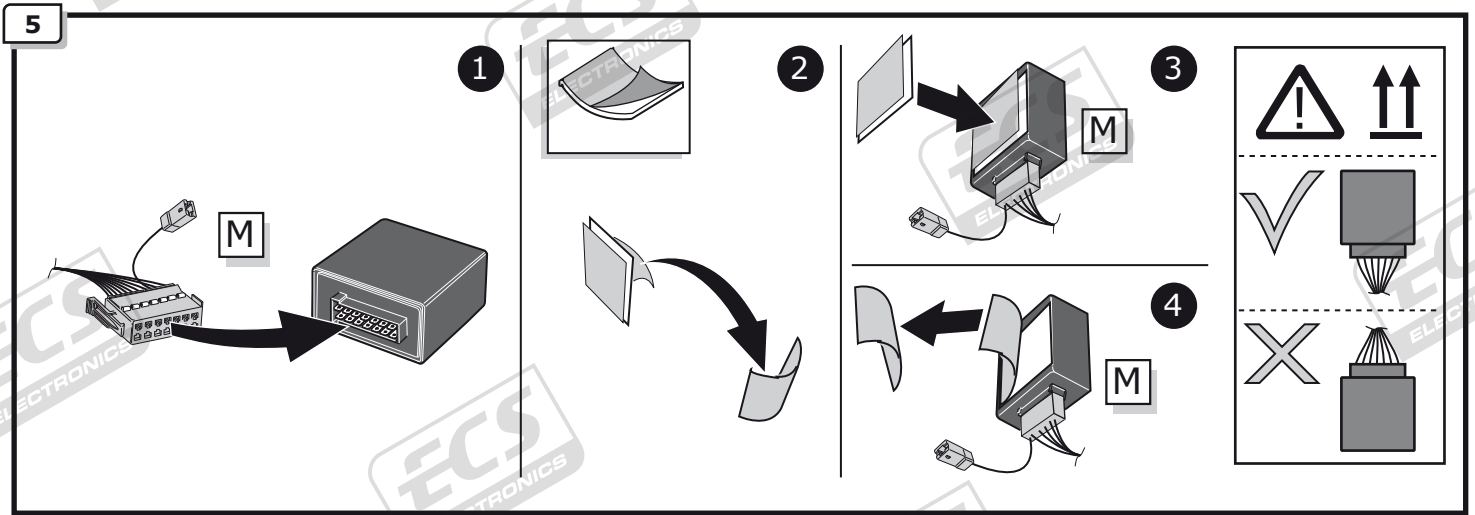


4

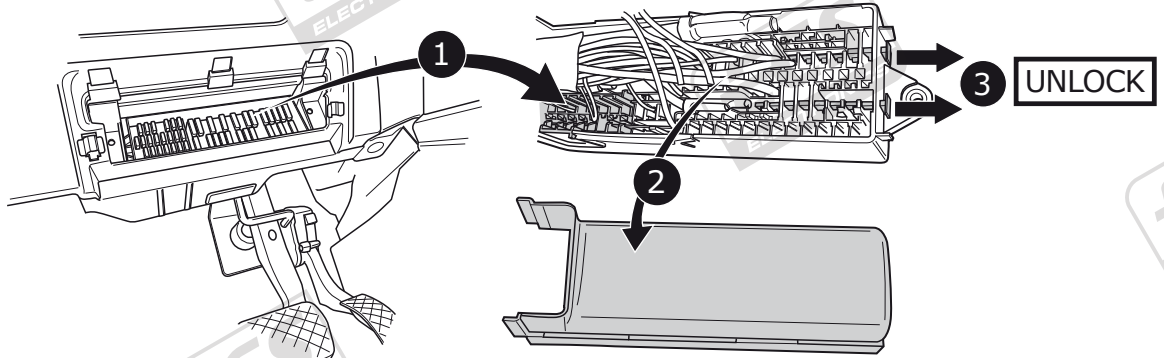




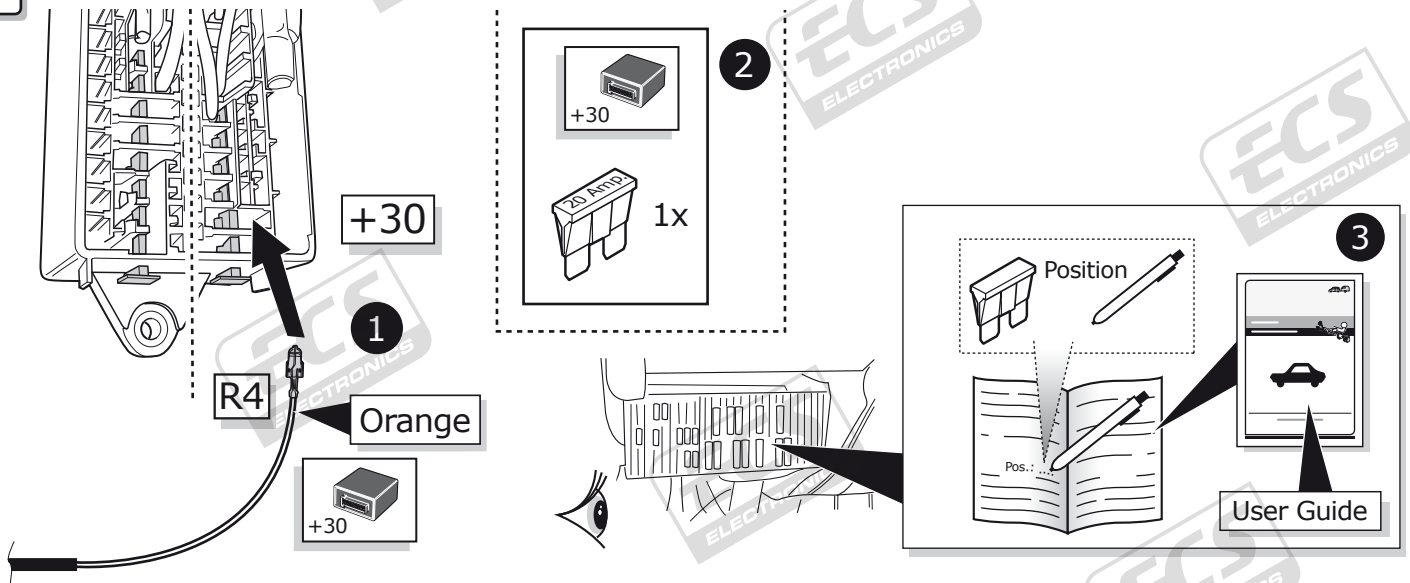




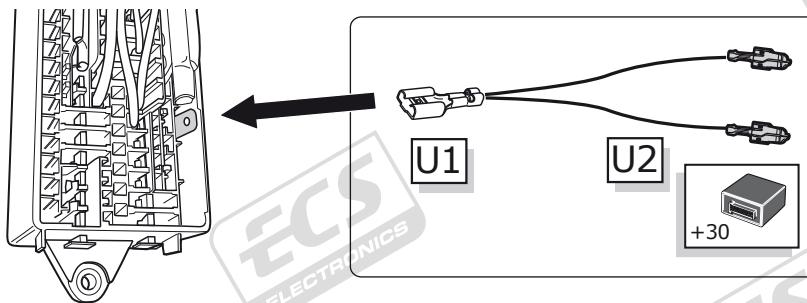
8



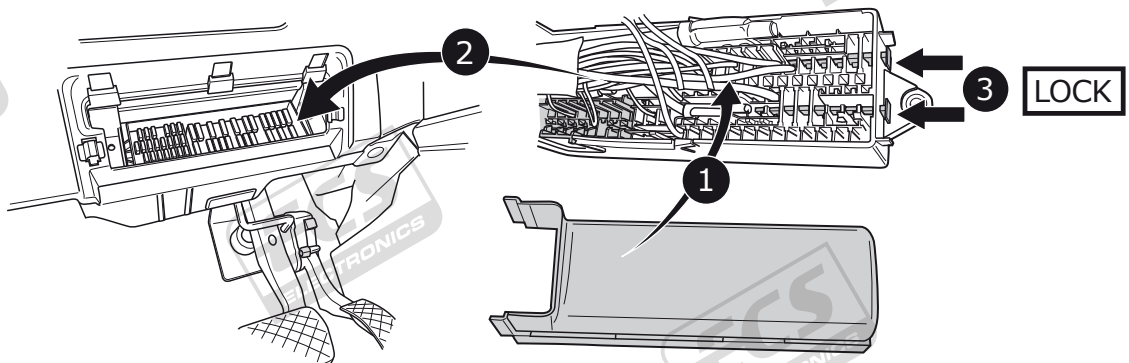
9



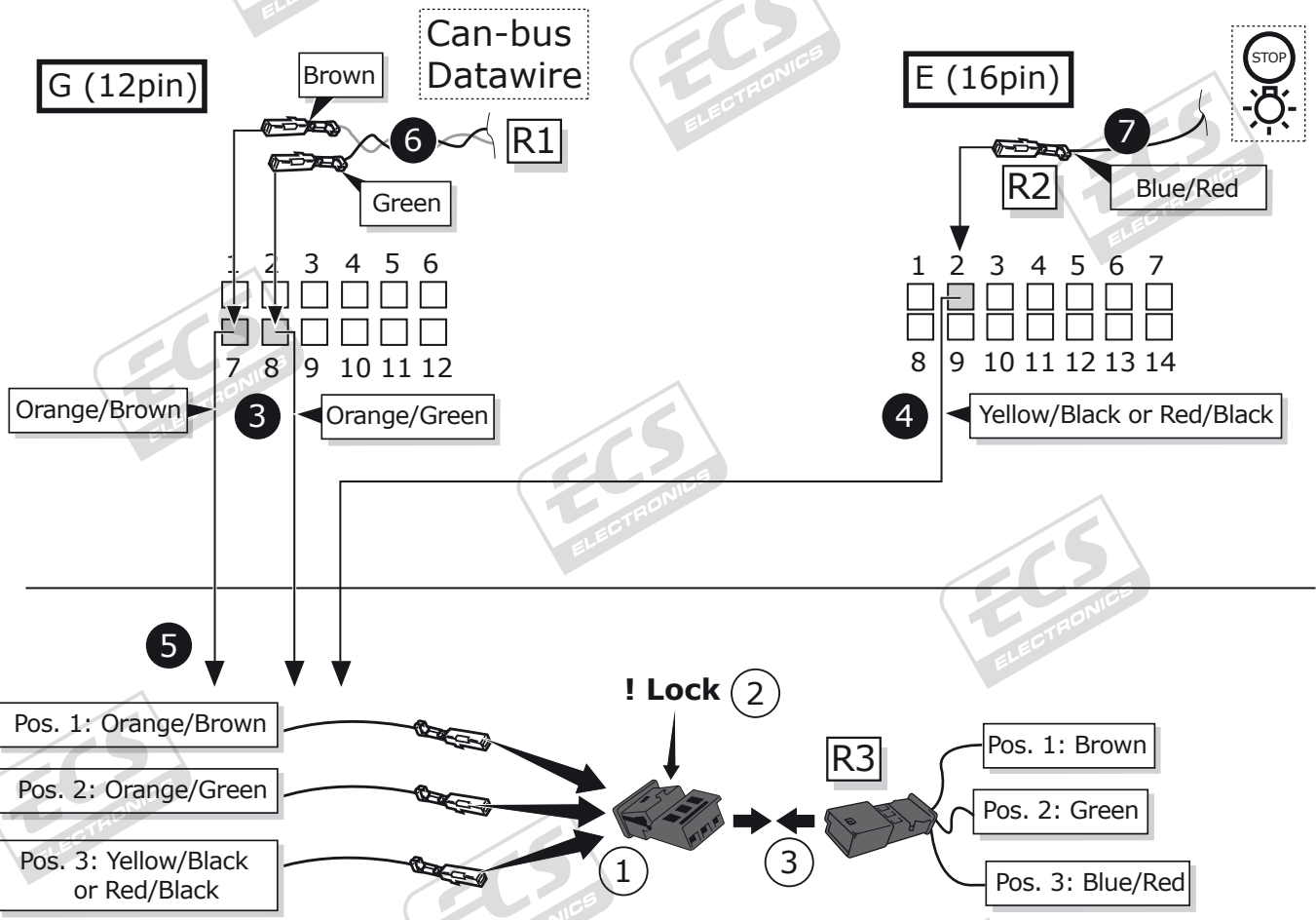
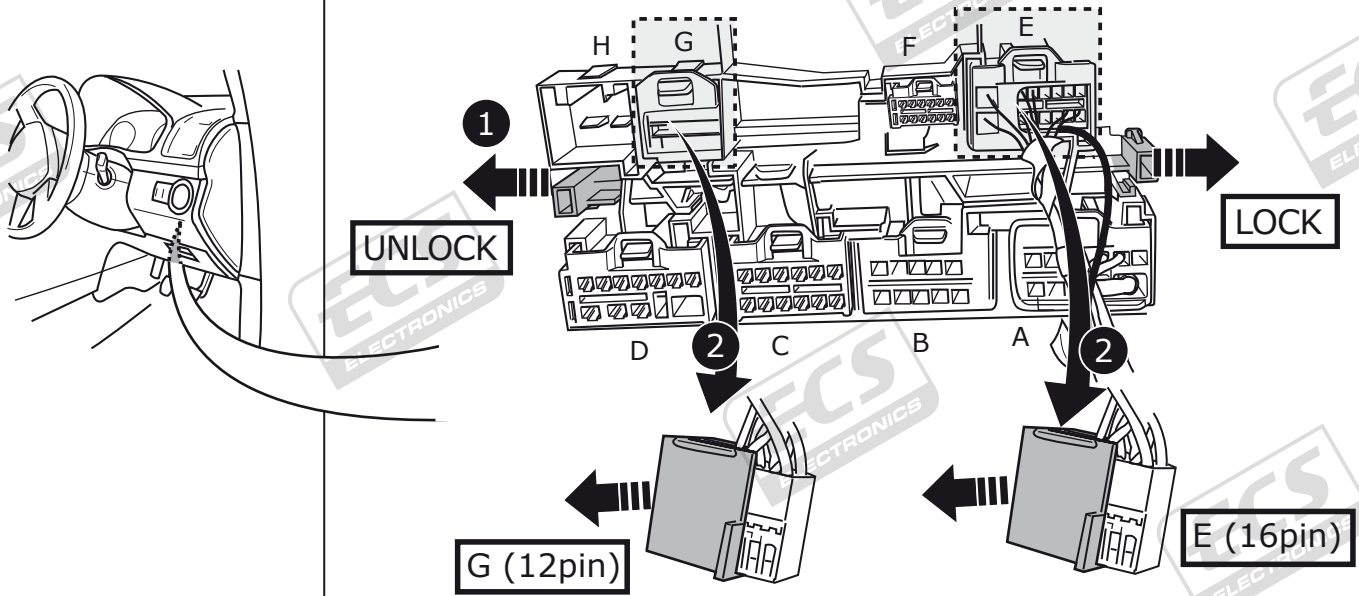
Use if there is no prepared +30 location:



10



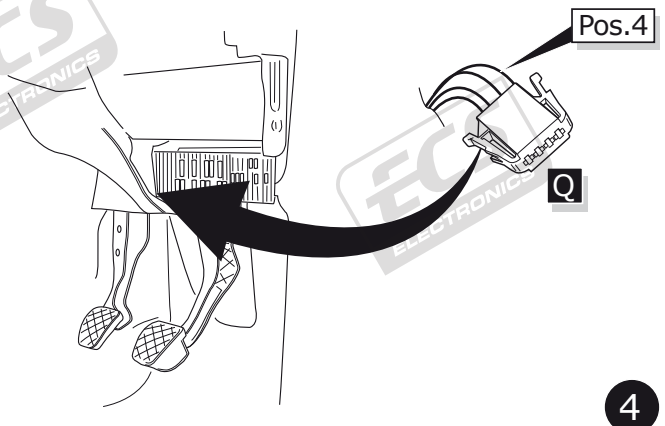
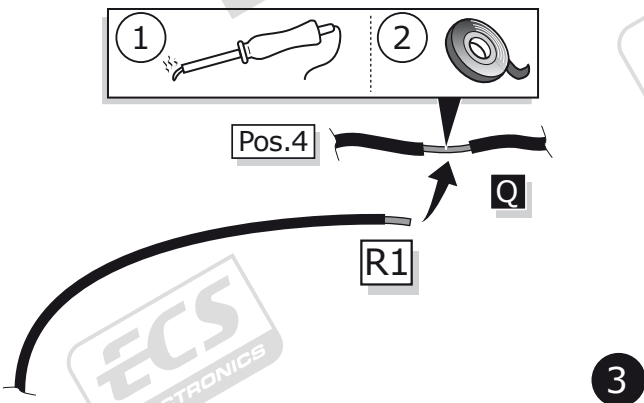
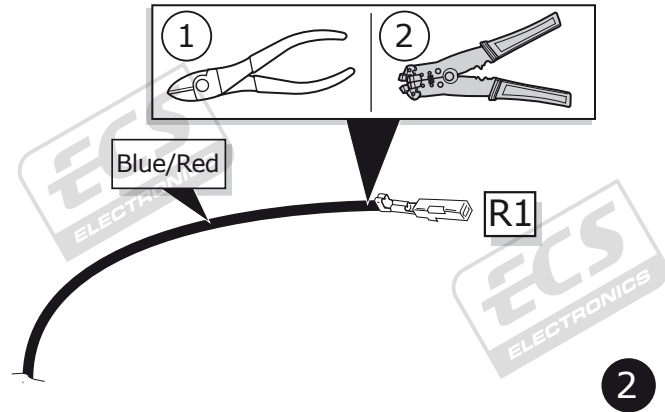
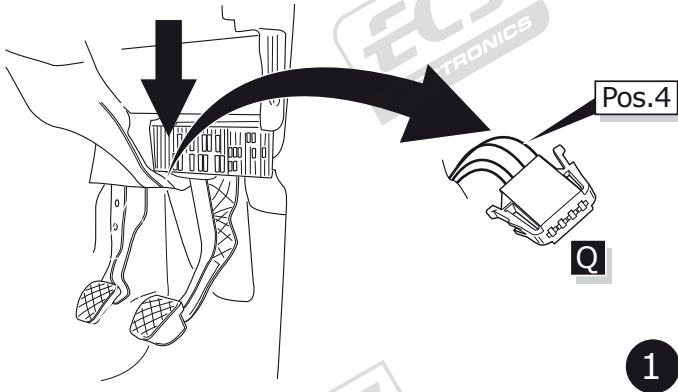
11



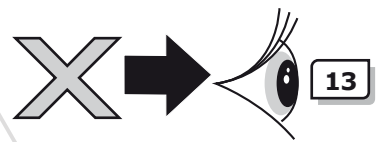
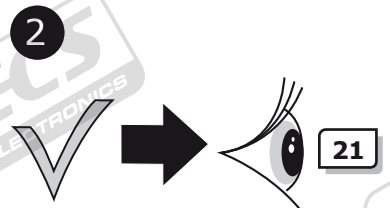
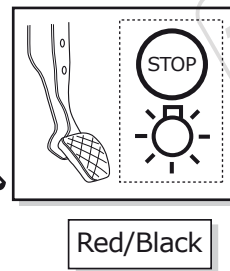
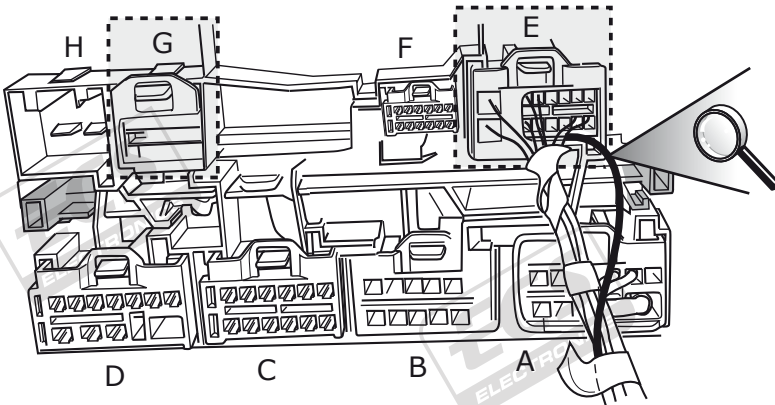


INFO

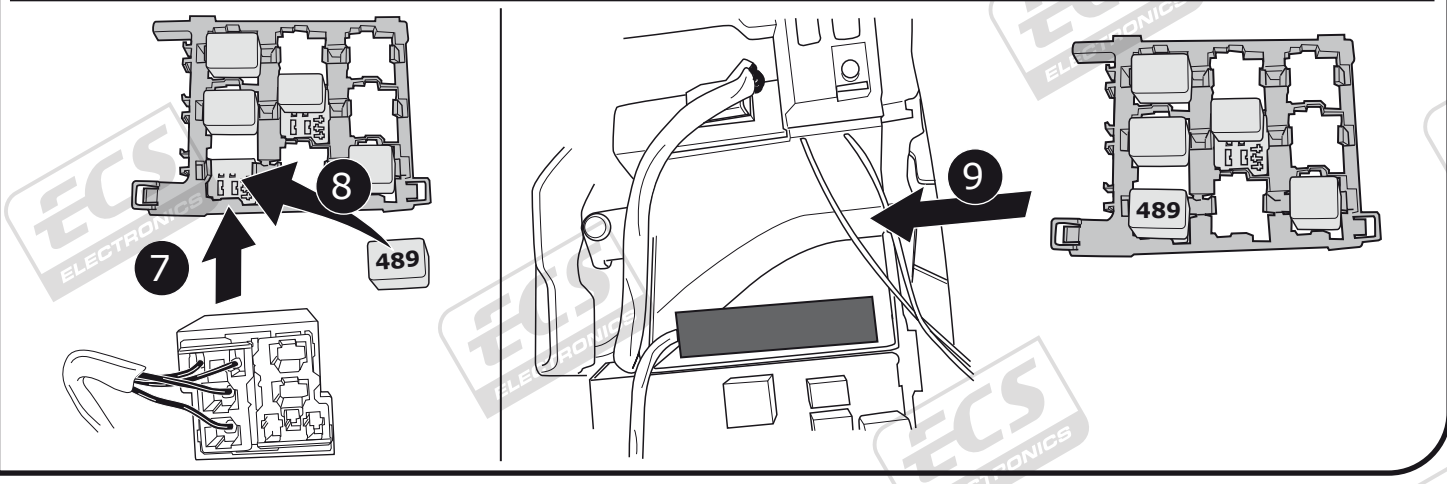
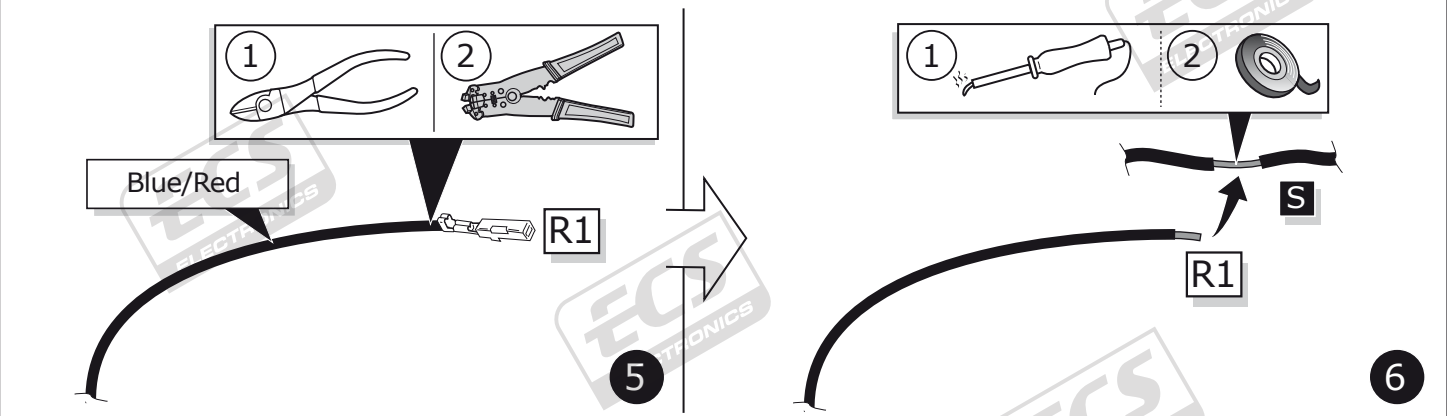
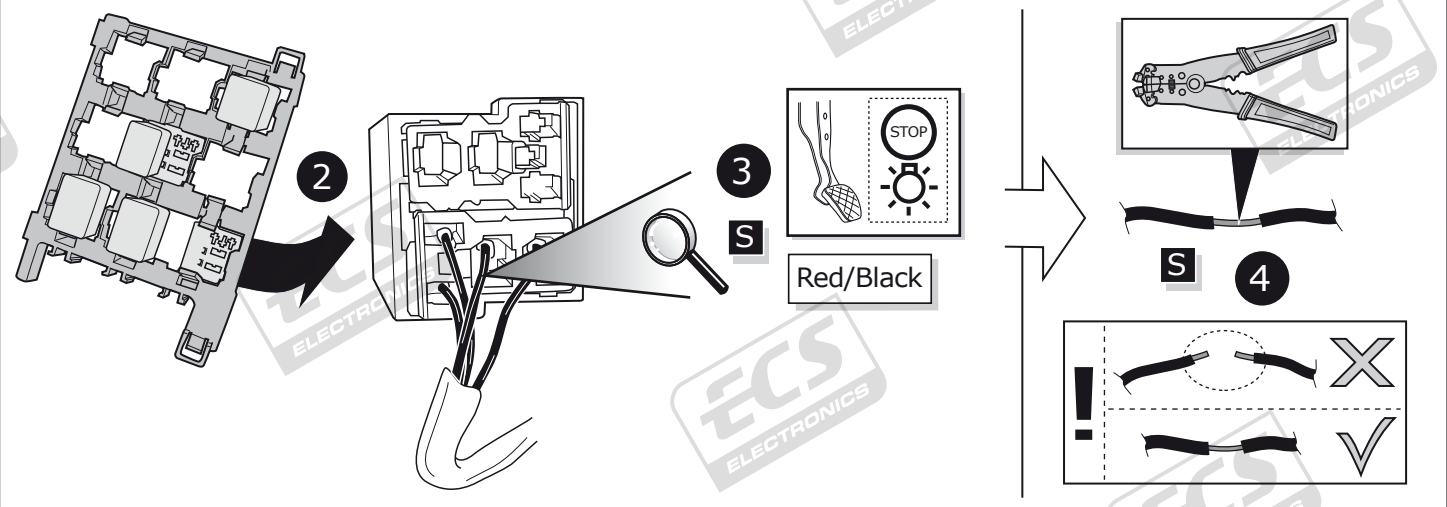
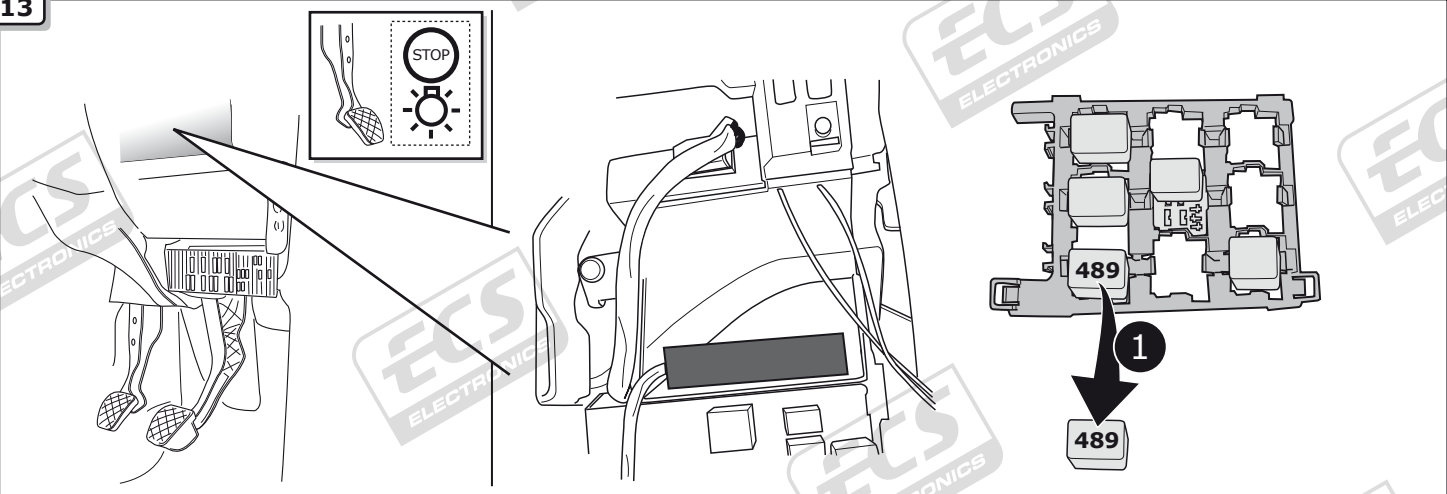
# ! Only for Model 2004→2006



12

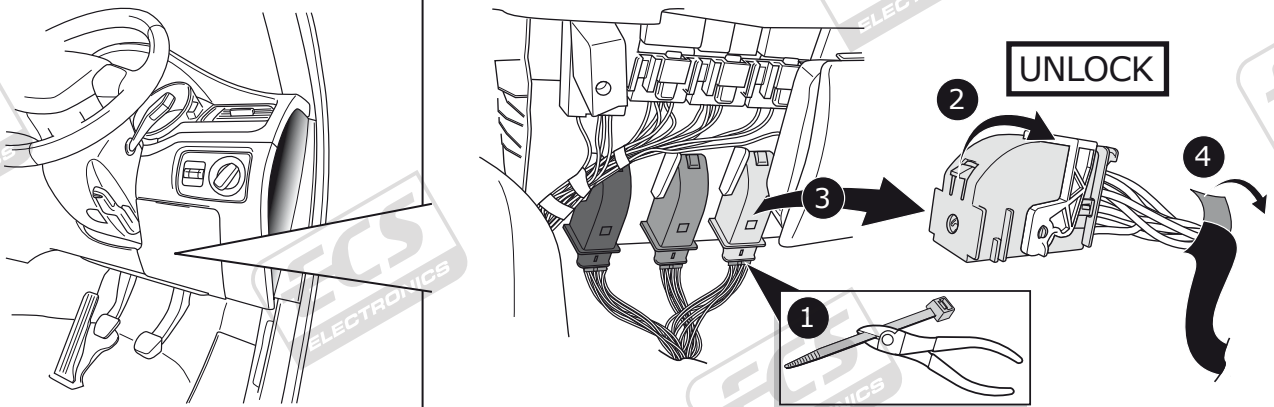


13

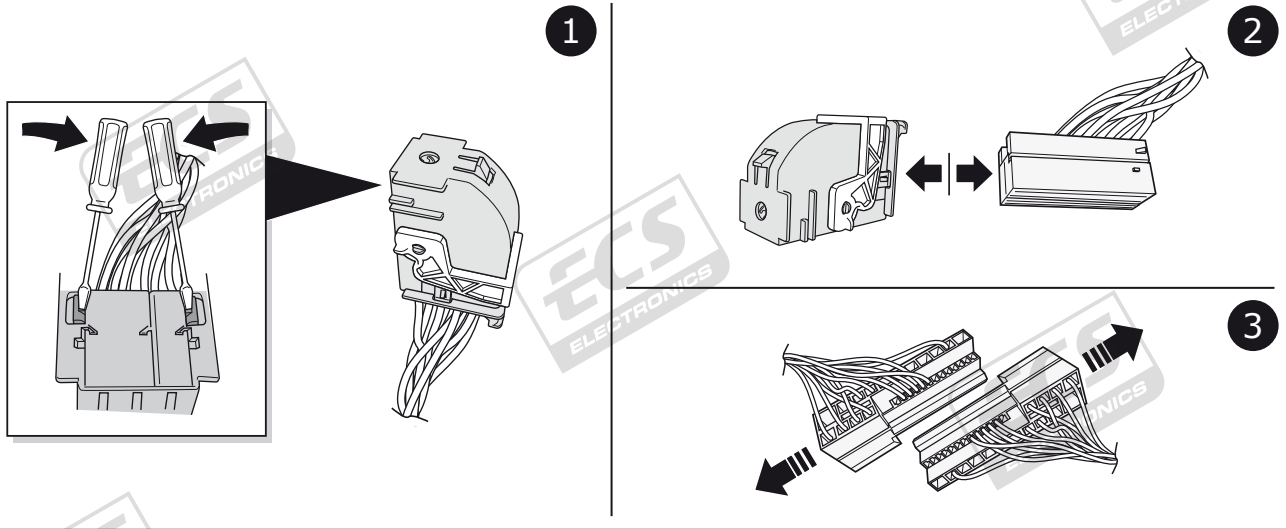


# Volkswagen Caddy 2011-2012

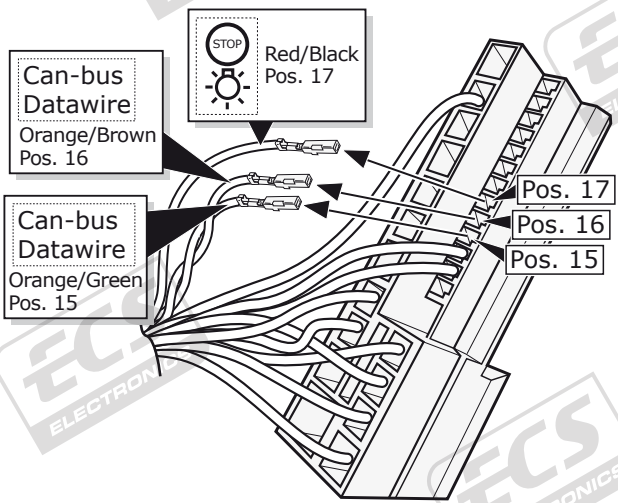
14



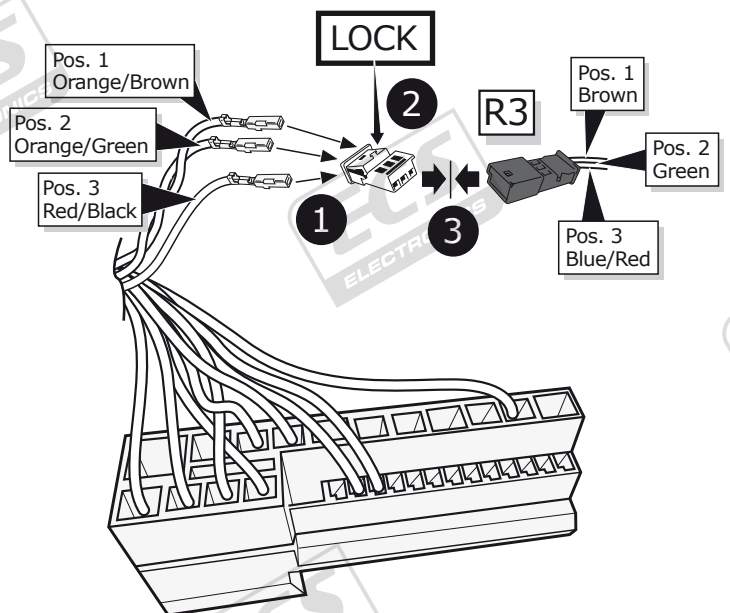
15



16

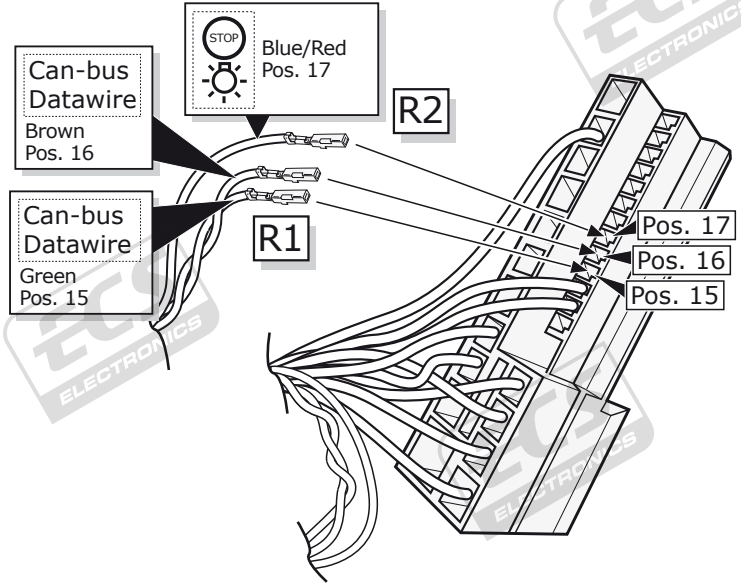


17

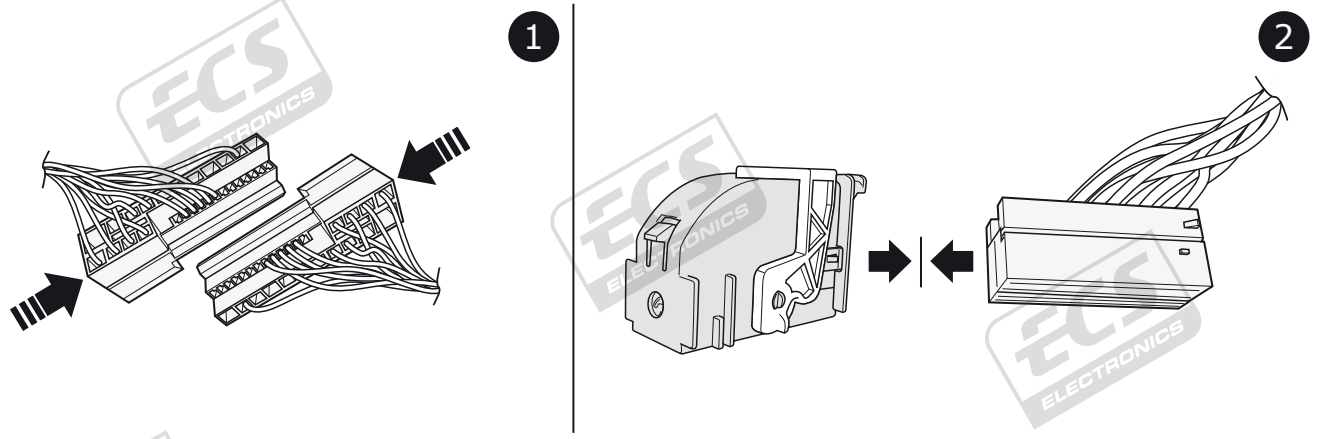


# Volkswagen Caddy 2011-2012

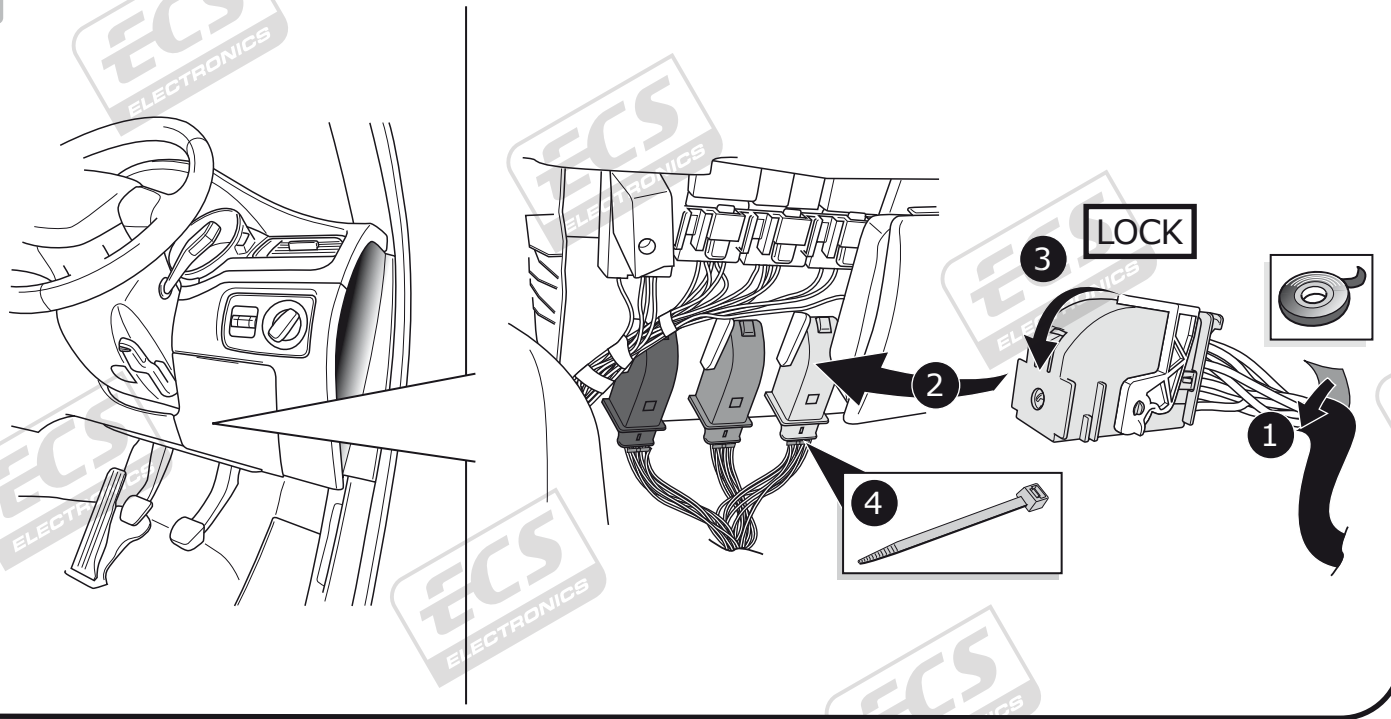
18



19

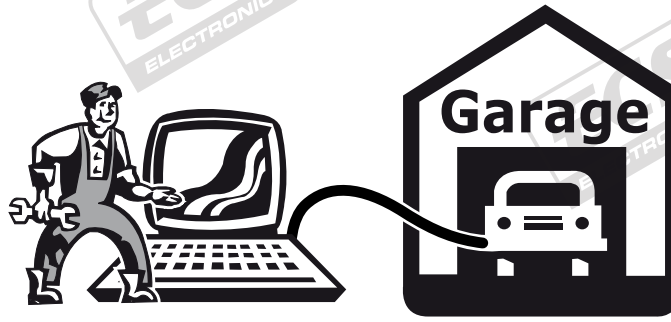


20



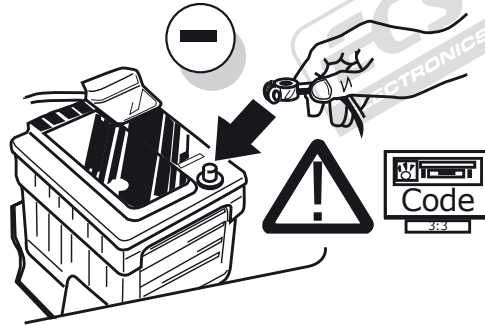


21



A VAG Service Tester must be used to code the vehicle's Gateway with the additional function for the towing hitch at the dealer.

22



23

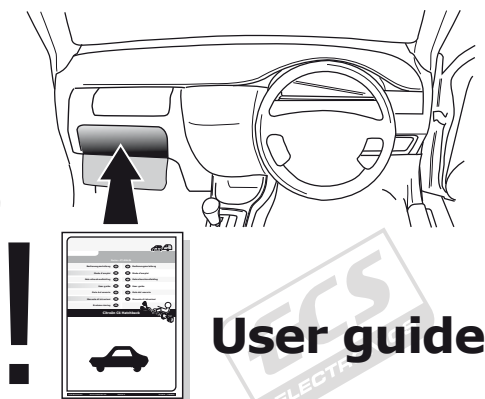


TEST ALL THE CIRCUITS WITH A TEST DEVICE WITH THE CORRECT POWER LOAD FOR EACH FUNCTION. A TEST DEVICE WITH LED'S CANNOT BE USED FOR THIS PURPOSE.

INFO

REINSTALL TRIM.

24



**User guide**

**TECHNICAL SUPPORT**

**CALL  
07440  
202  
052**

**MONDAY TO FRIDAY**  
08.00 - 11.00 am  
12.00 - 05.00 pm  
t.skinner@ecs-electronics.com  
www.ecs-electronicsuk.co.uk

**ECS ELECTRONICS**



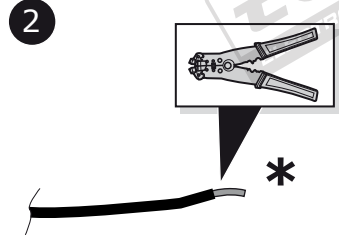
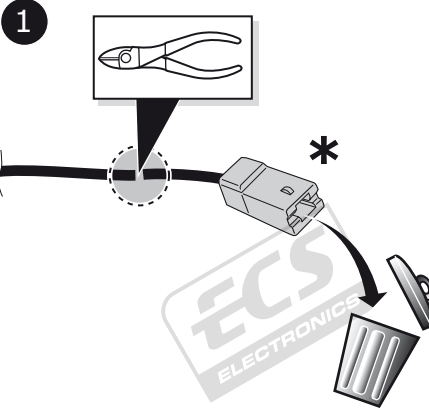
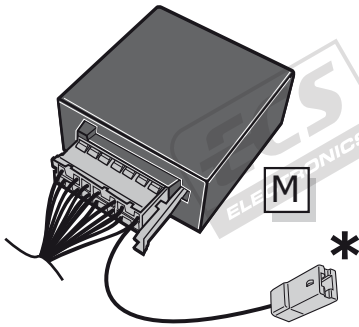
**INFO**

**SOCKET CONNECTION**

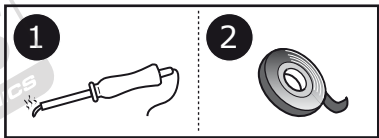
DIN/ISO 1724							
	1/L	2	3/31	4/R	5/58-R	6/54	7/58-L
Pmax	21W	21W		21W	42W	3x21W	42W
Colour	Black/White	Blue	Brown	Black/Green	Grey/Red	Black/Red	Grey/Black

**Reverse signal preparation**

**A**



**B**



**⚠ MAX = 21W**