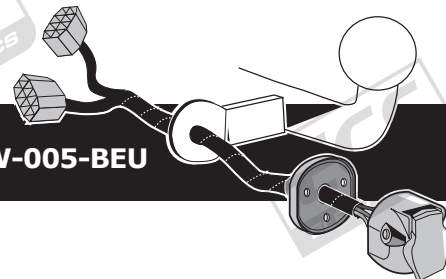


Volkswagen Golf IV hatchback 1997-2004
Volkswagen Bora saloon

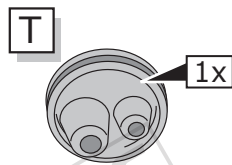
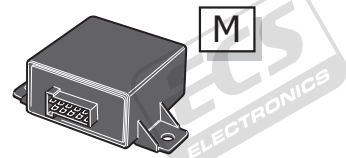
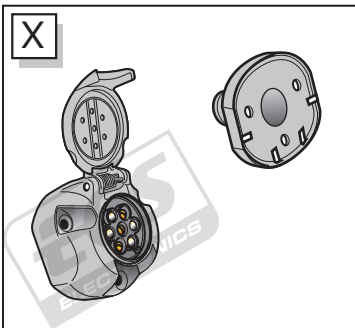
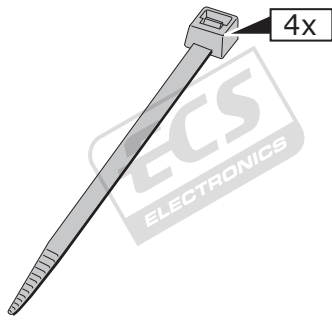
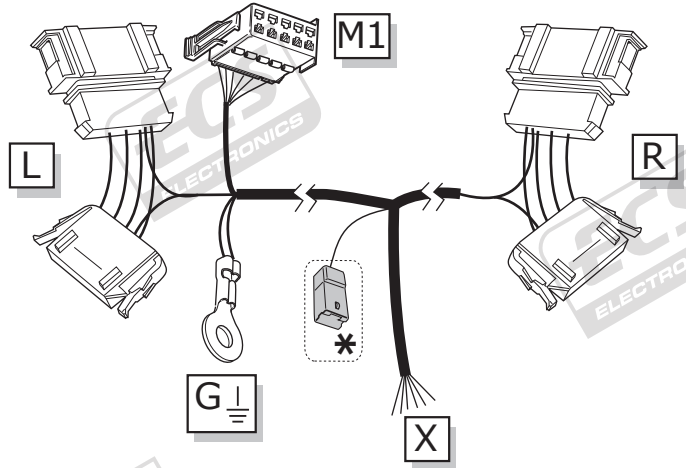
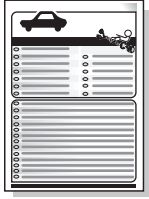
Partnr.: VW-005-BEU



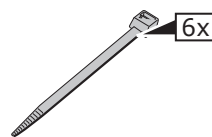
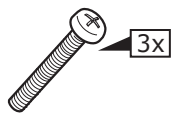
- Fitting instructions electric wiring kit tow bar with 12-N socket up to DIN/ISO Norm 1724.
- We would expressly point out that assembly not carried out properly by a competent installer will result in cancellation of any right to damage compensation, in particular those arising by virtue of the product liability act.
- Contents of these kits and their fitting manuals are subject to alteration without notice, please ensure that these instructions are read and fully understood before commencing installation.
- Do not overload circuits; the maximum loads per connection are detailed in this manual.
- Attention! Before Installation, please read this manual carefully and inform your customer to consult the vehicle owners manual to check for any vehicle modifications required before towing.
- In the event of functional problems, troubleshooting must be limited to about 0.5 hours, contact the technical support:
t.skinner@ecs-electronics.com / 07440 202 052.



Part list



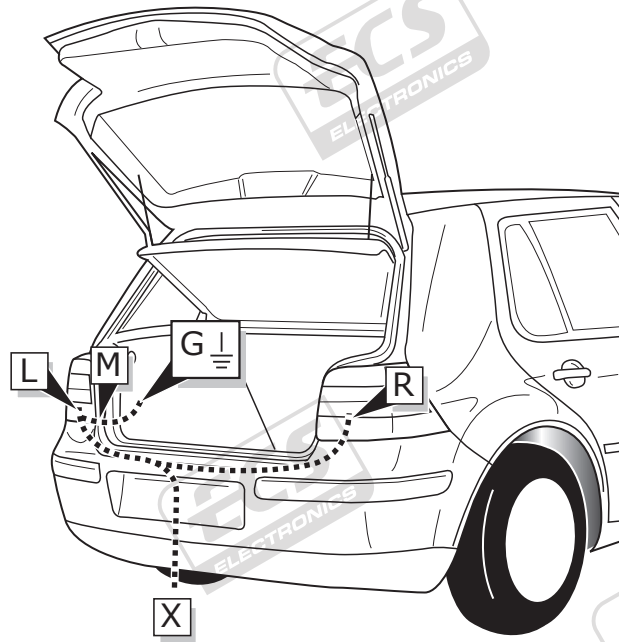
* Reverse signal preparation
 → **Pag. 13**



ROUTING

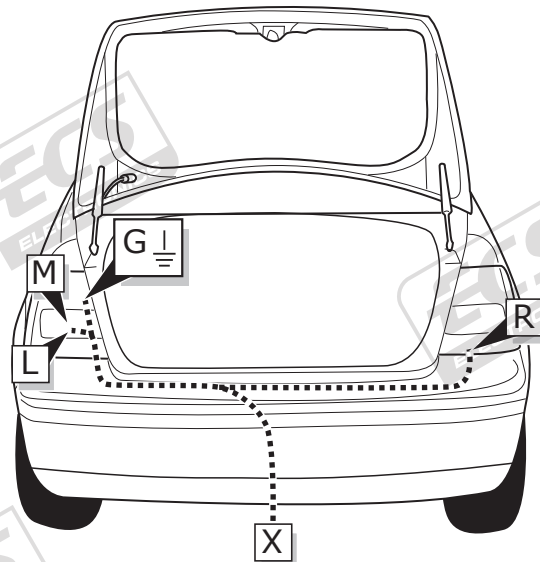
Volkswagen Golf IV

Pag. 4 - Pag. 7
+
Pag. 12

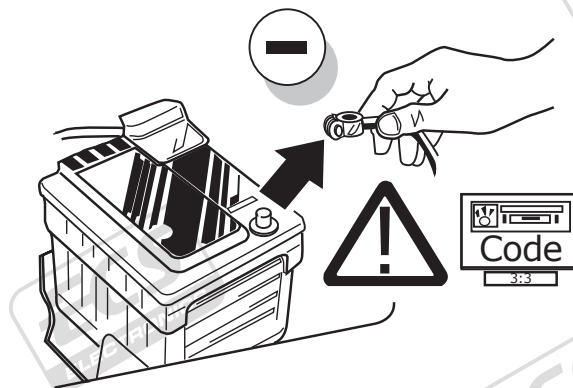


Volkswagen Bora

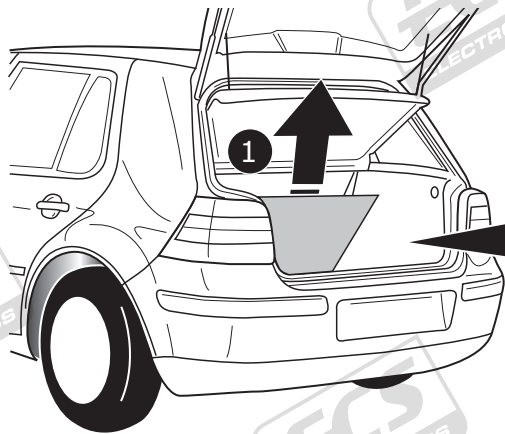
Pag. 8 - Pag. 12



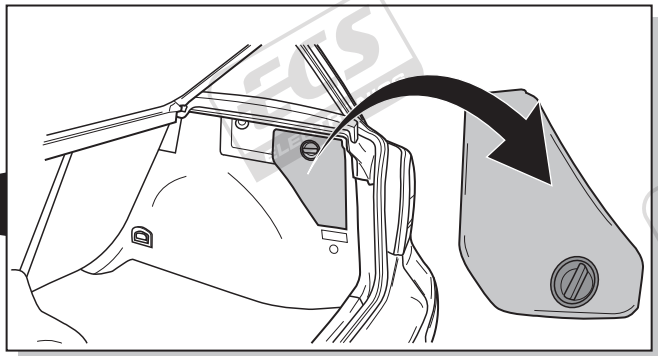
INFO



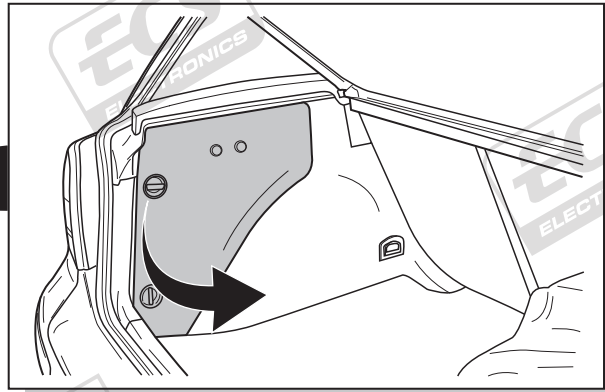
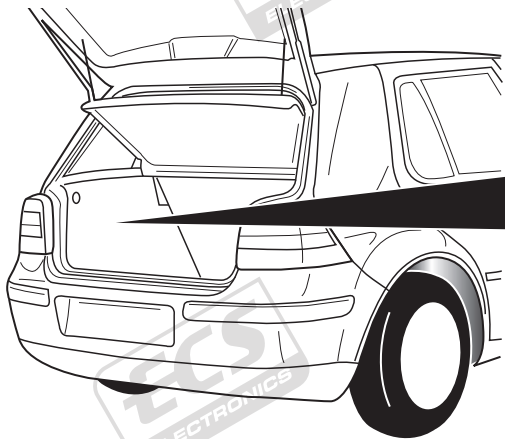
1



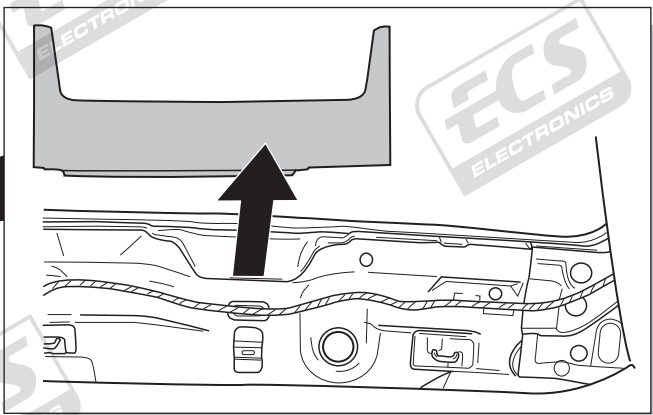
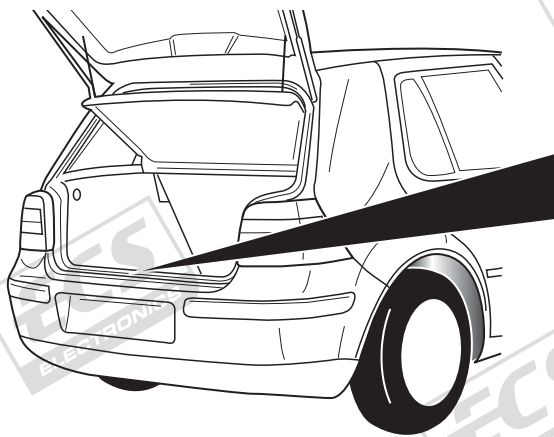
2



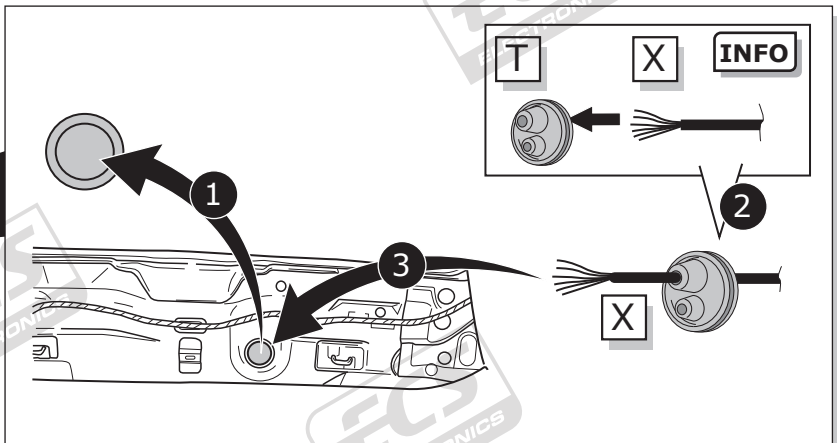
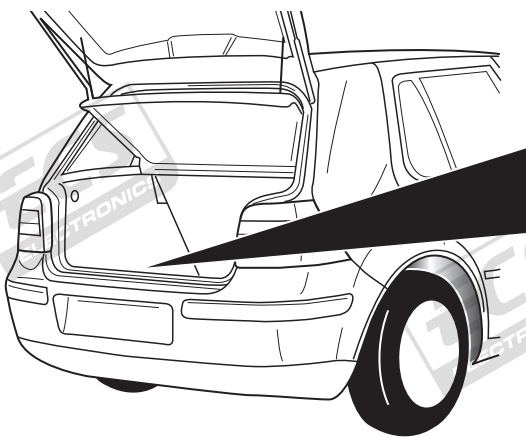
2



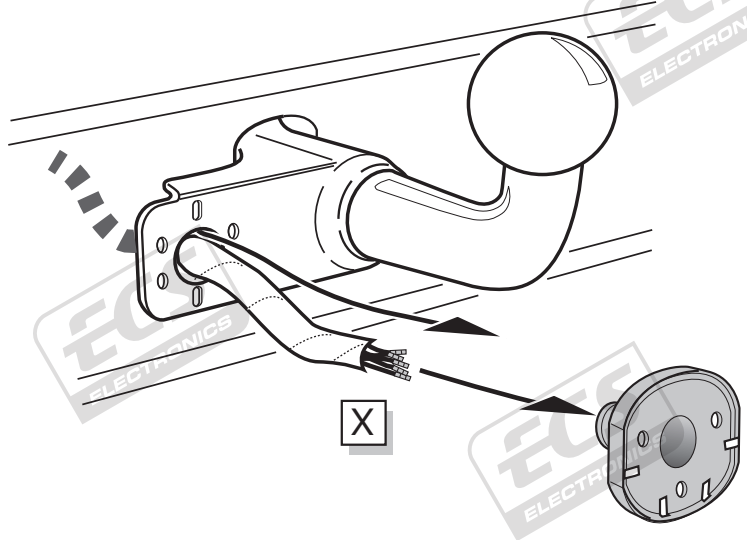
3



4



A



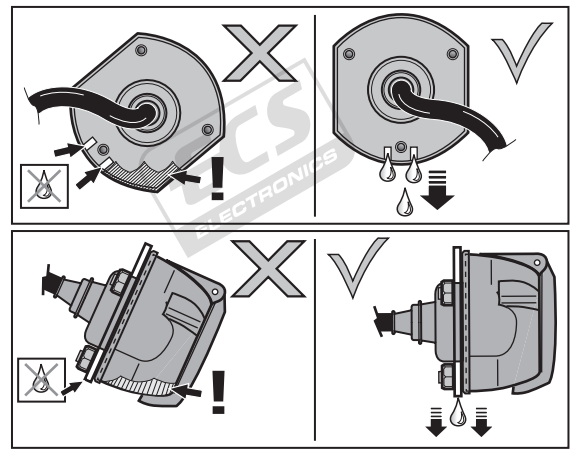
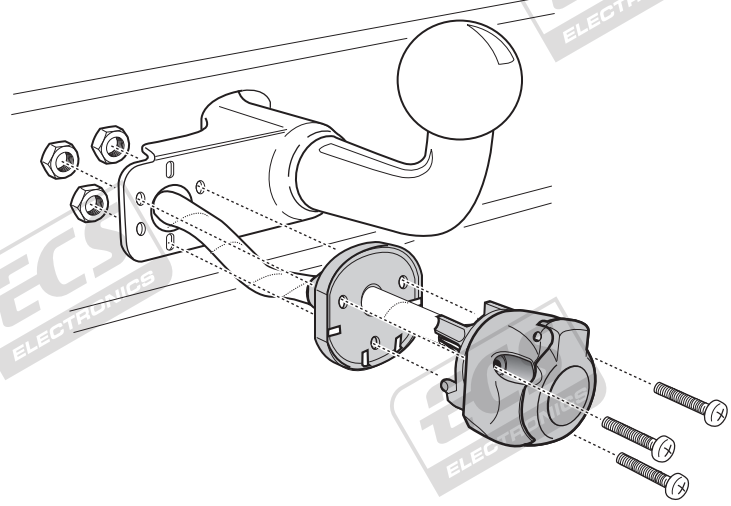
INFO

SOCKET CONNECTION

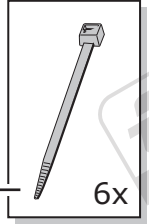
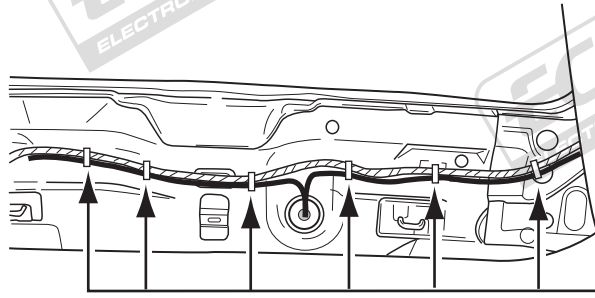
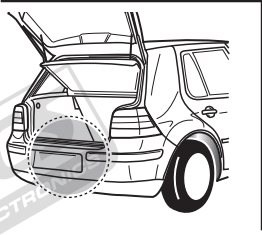


Pag. 12

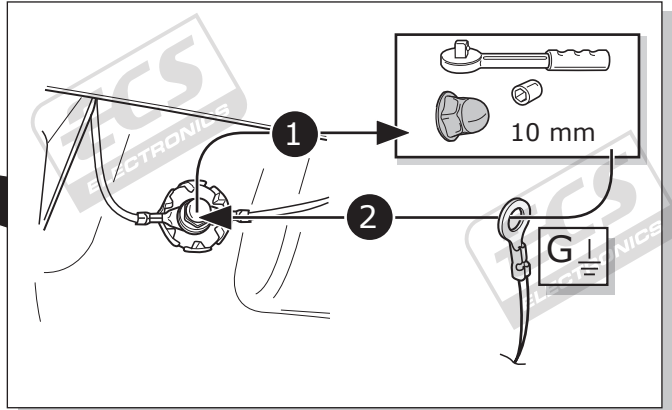
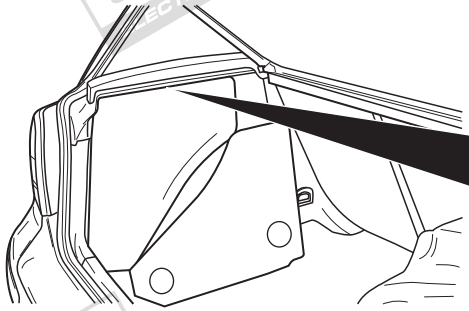
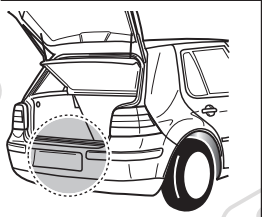
B



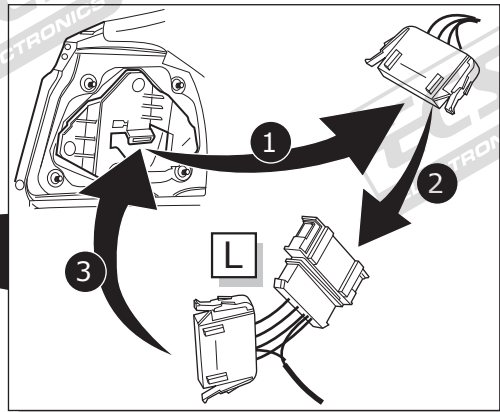
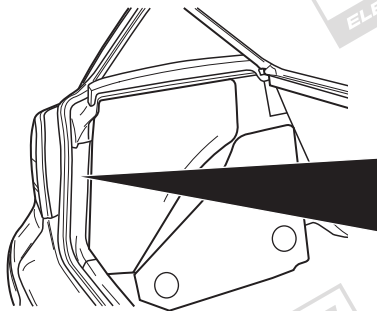
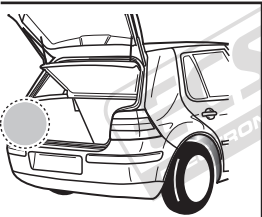
5



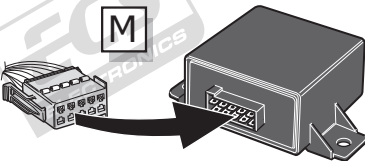
6



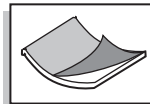
7



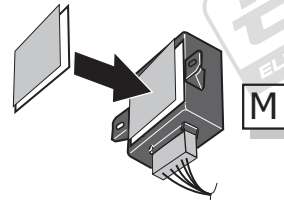
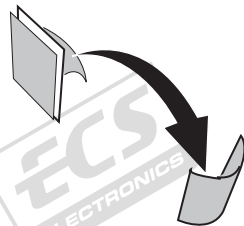
8



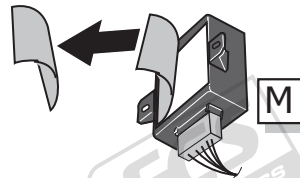
1



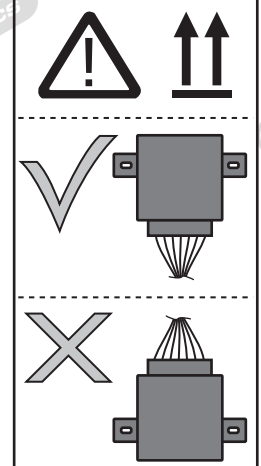
2



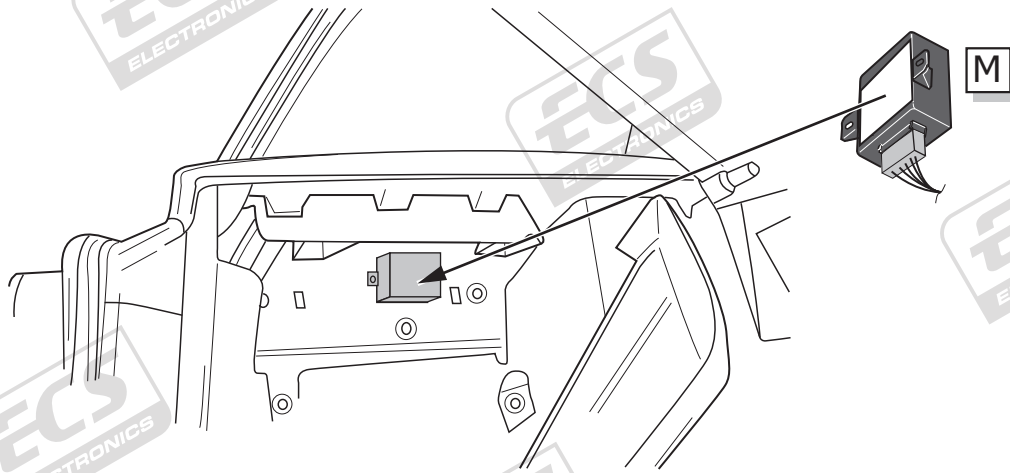
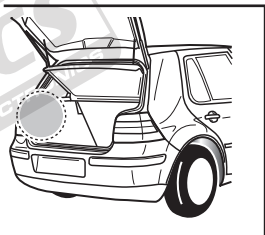
3



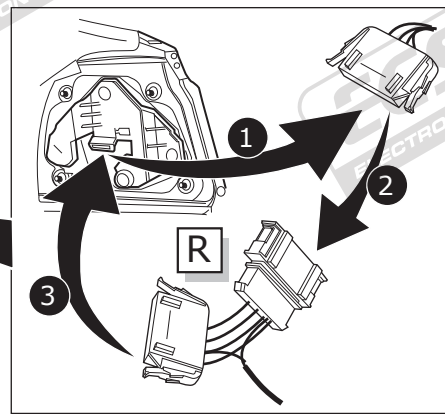
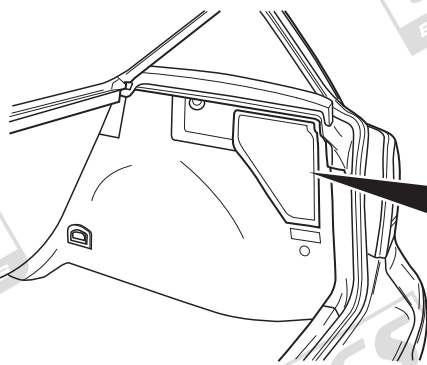
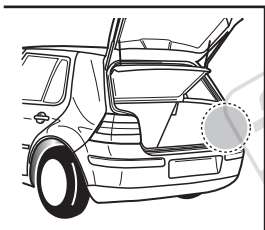
4



9



10



11

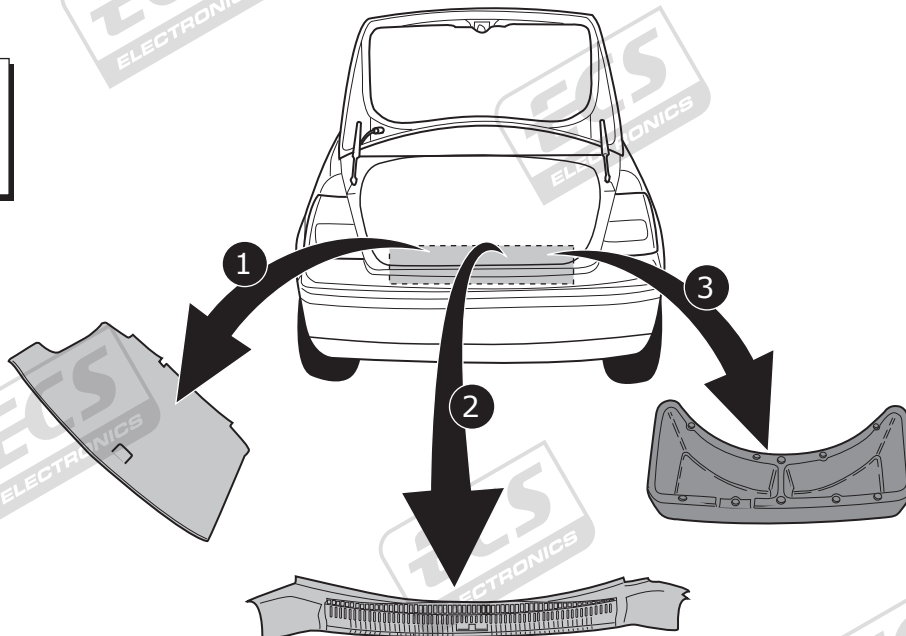


Pag. 12

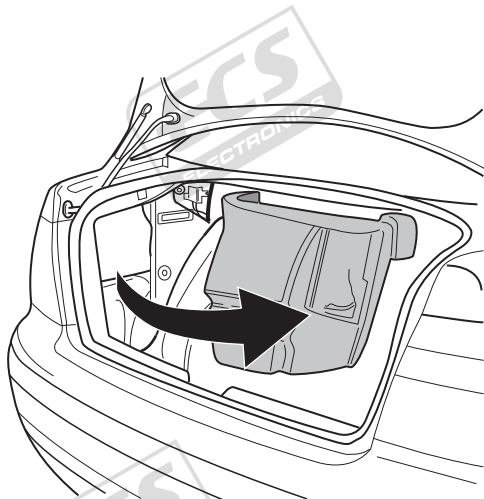
1

Volkswagen Bora

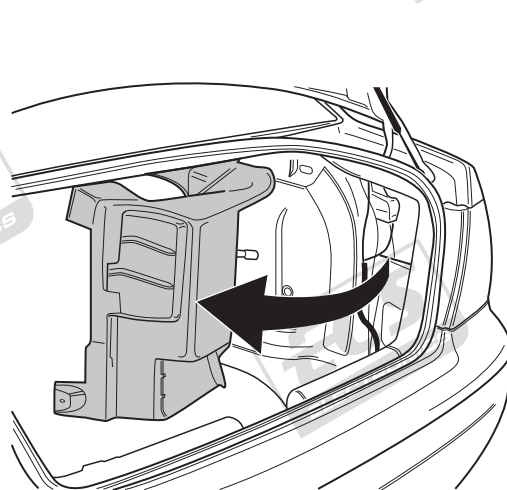
Pag. 8 - Pag. 12



2

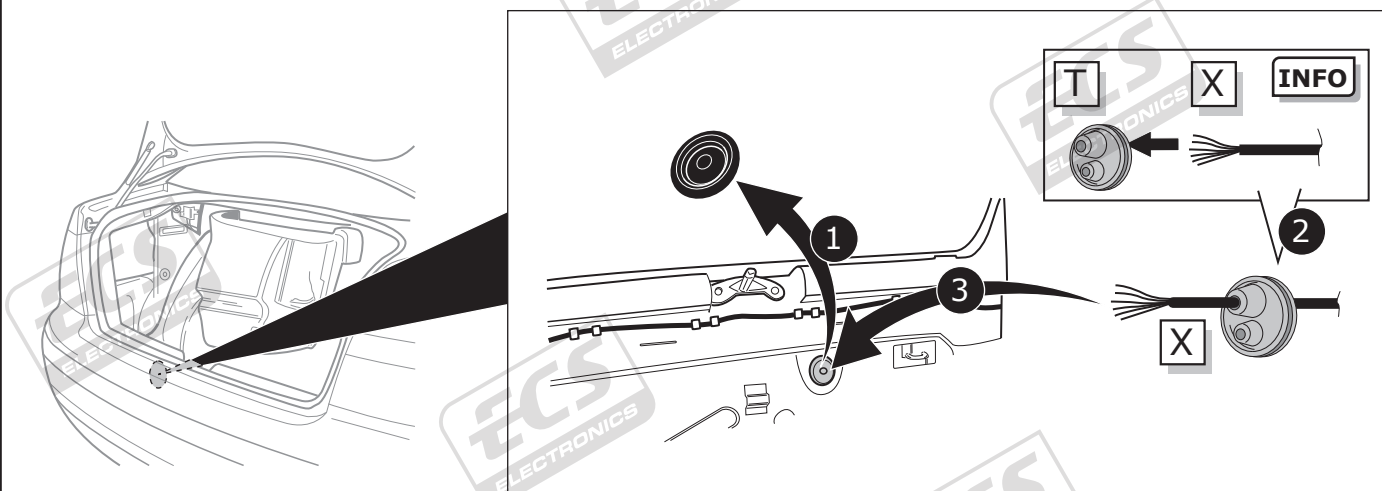


1

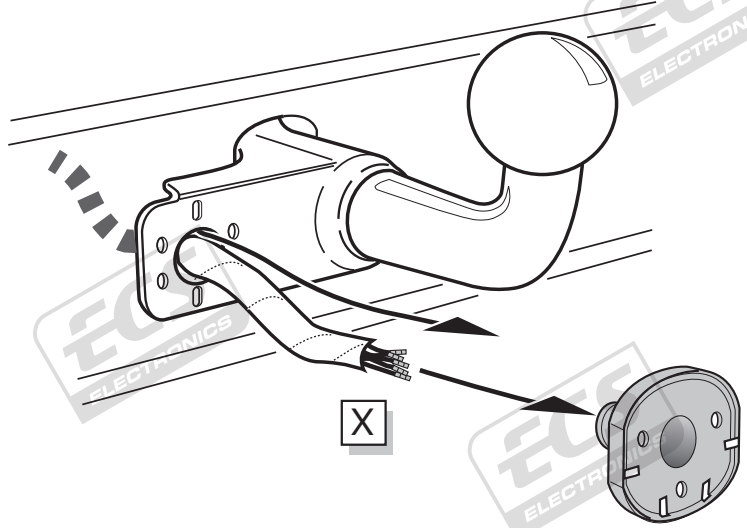


2

3



A



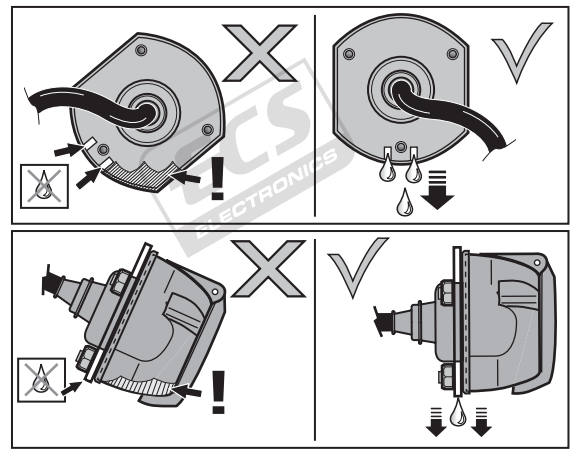
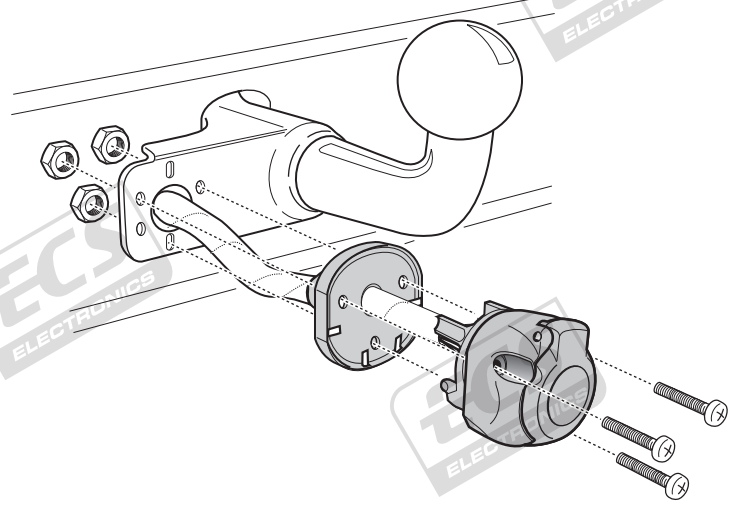
INFO

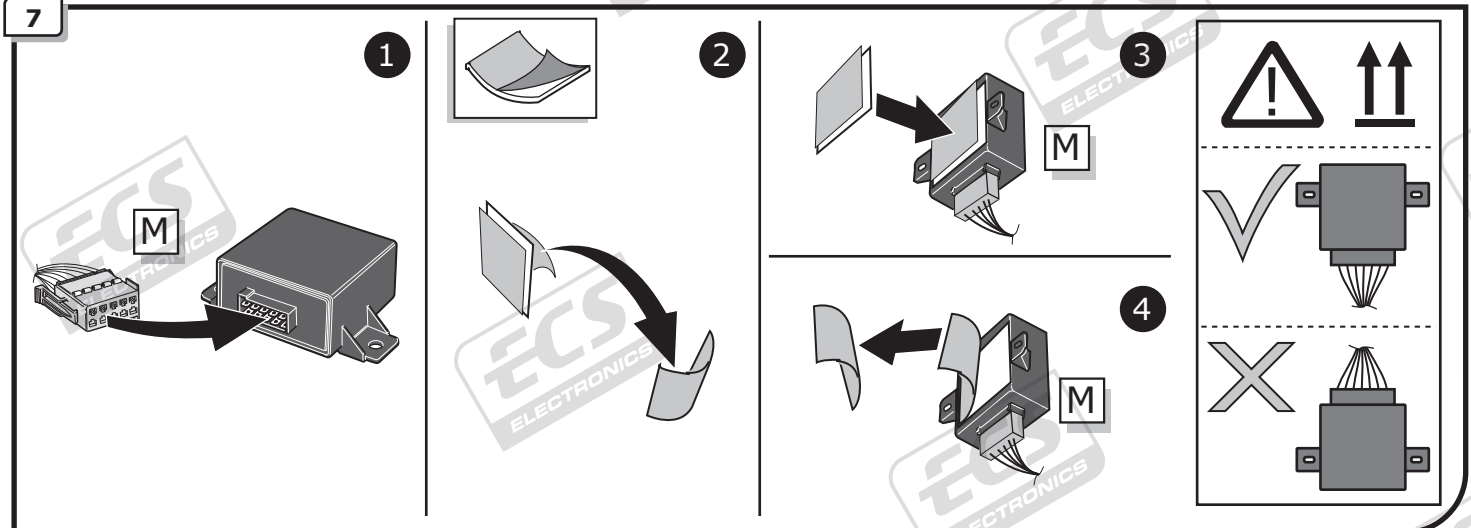
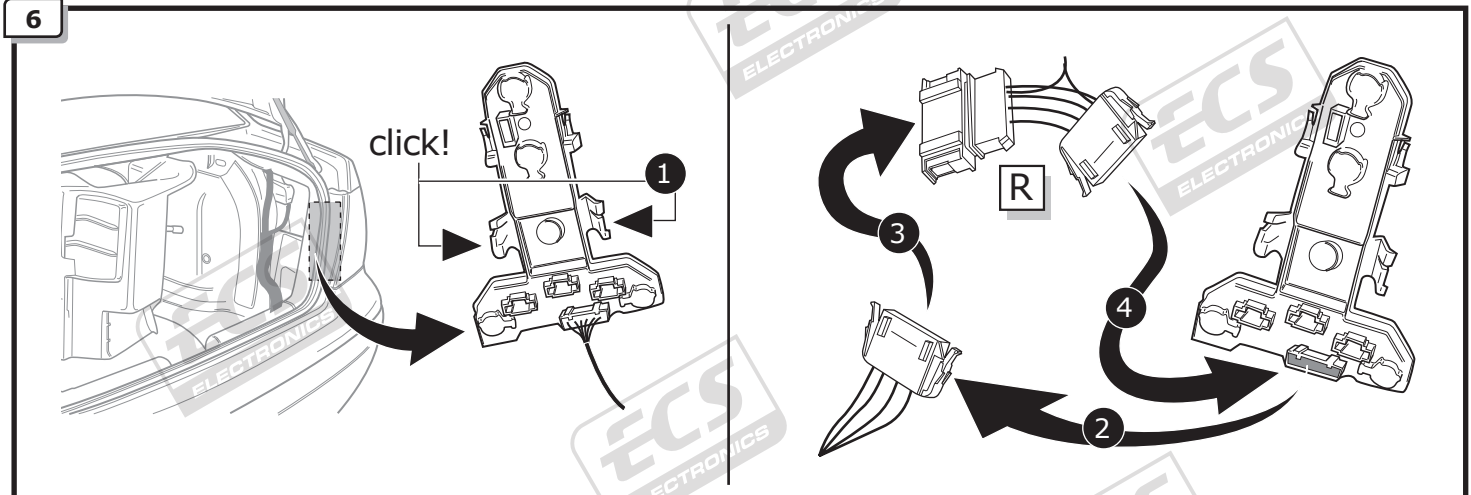
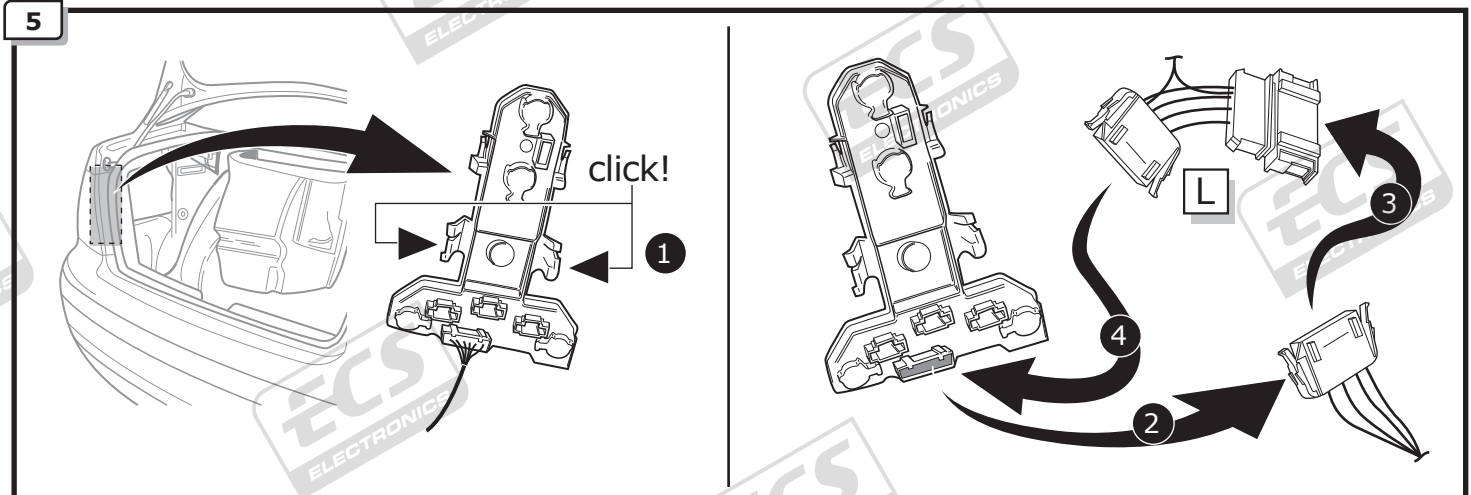
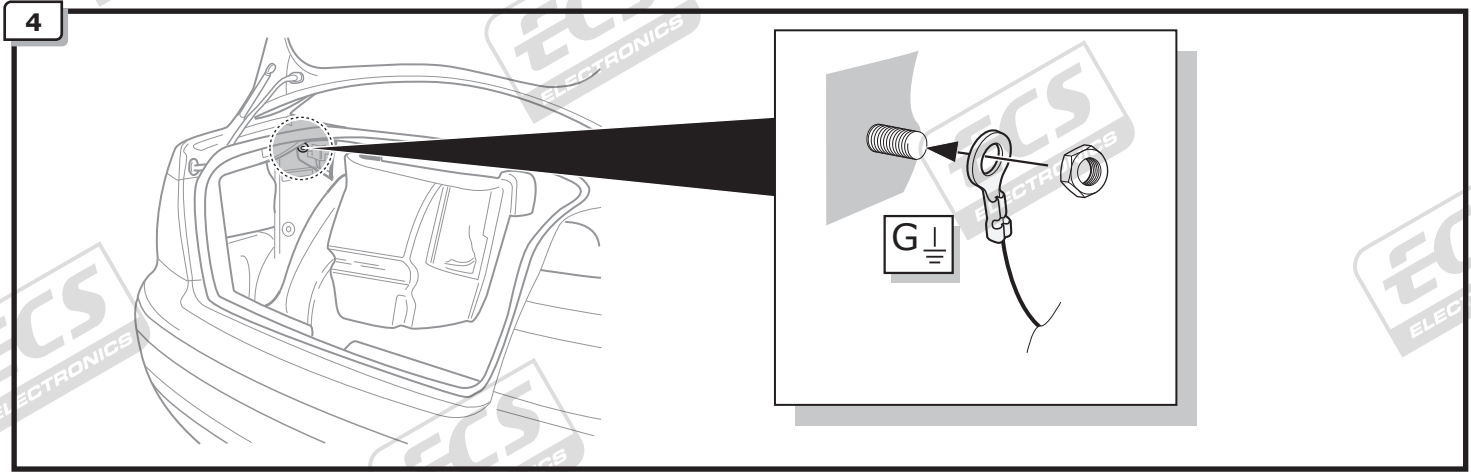
SOCKET CONNECTION



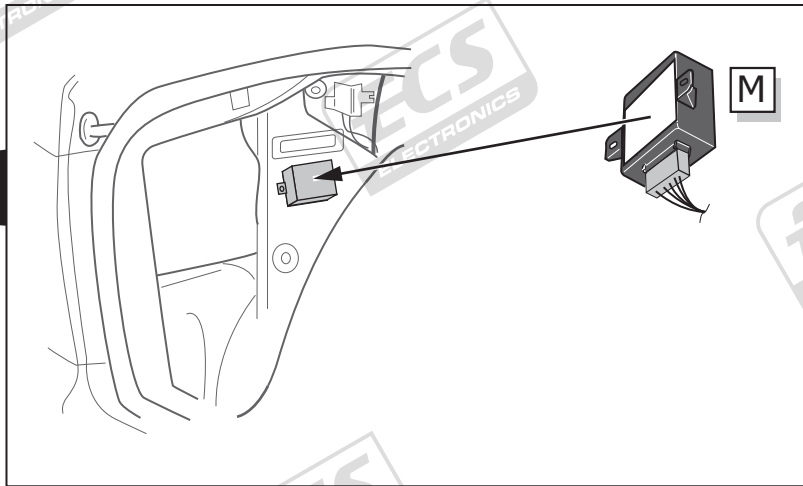
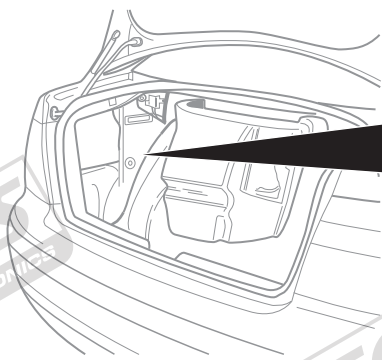
Pag. 12

B





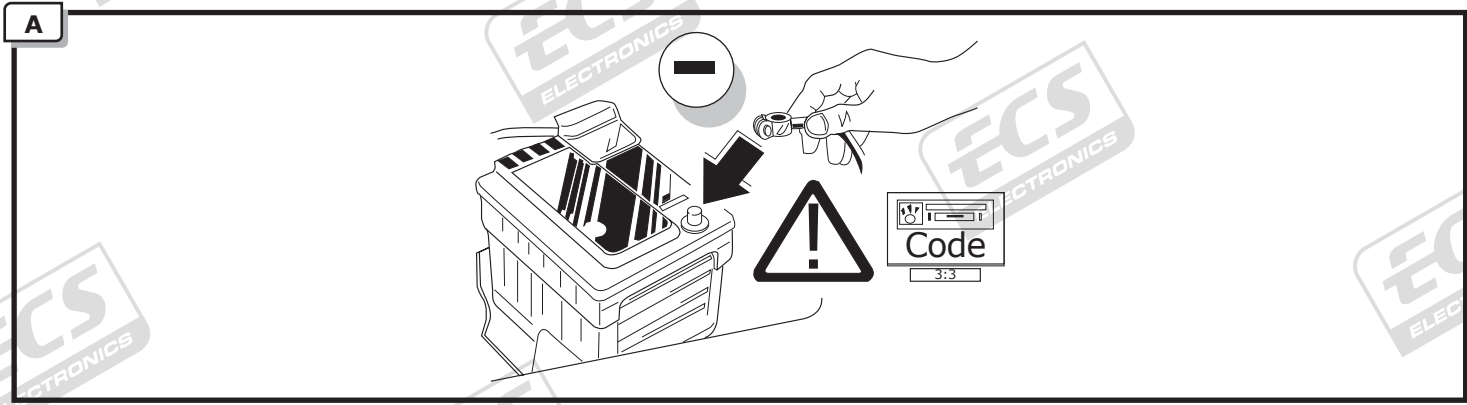
8



9



Pag. 12

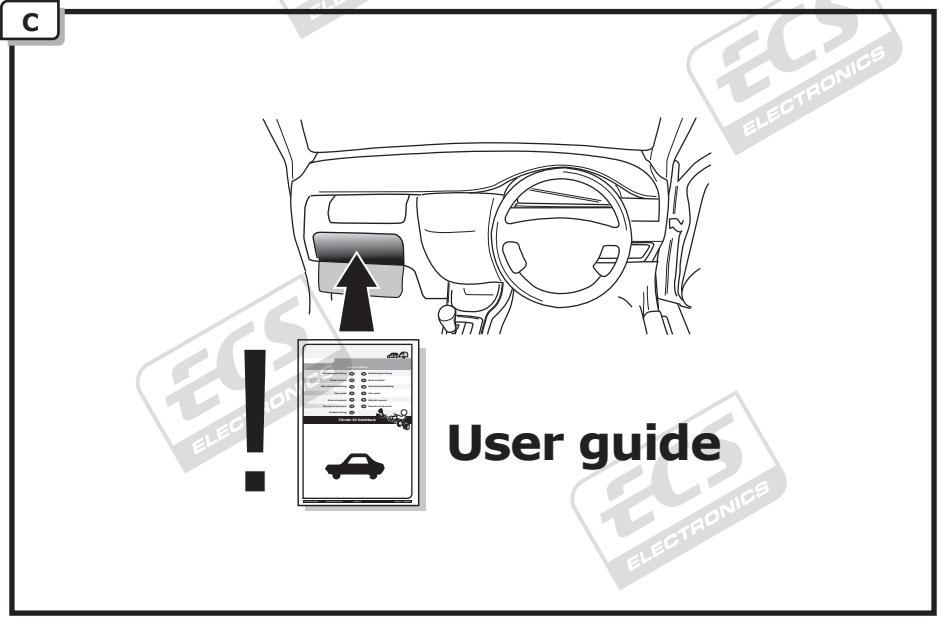


B

! TEST ALL THE CIRCUITS WITH A TEST DEVICE WITH THE CORRECT POWER LOAD FOR EACH FUNCTION. A TEST DEVICE WITH LED'S CANNOT BE USED FOR THIS PURPOSE.

INFO

REINSTALL TRIM.



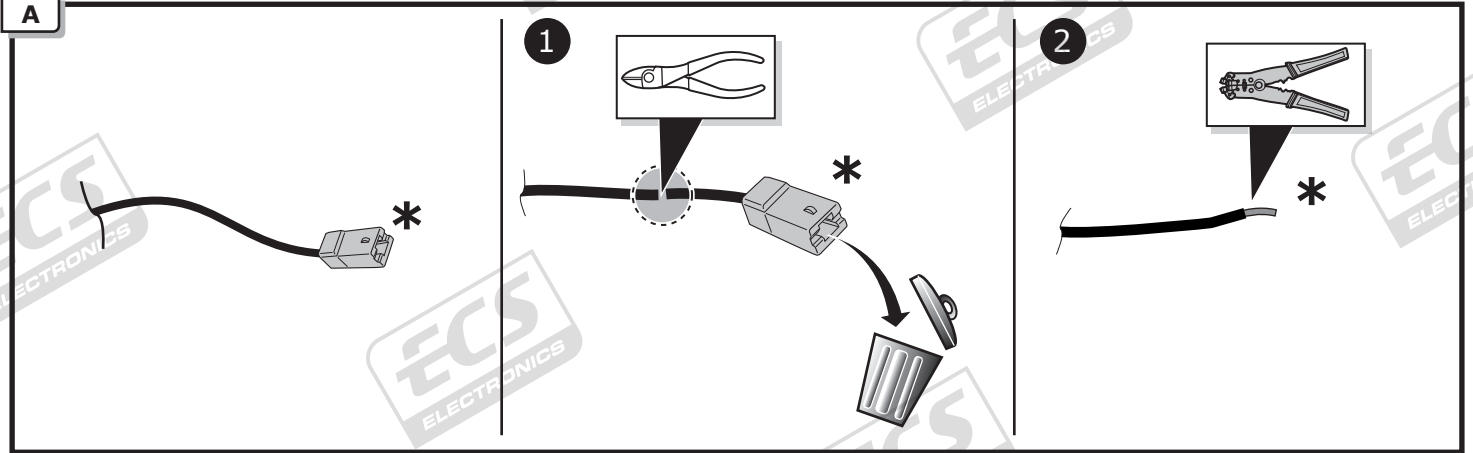
INFO

SOCKET CONNECTION

DIN/ISO 1724			$\pm 1-7$					
	1/L	2	3/31	4/R	5/58-R	6/54	7/58-L	8
Pmax	21W	2x21W		21W	52W	3x21W	52W	
Colour	Yellow	Blue	White	Green	Brown	Red	Black	Grey

Reverse signal preparation

A



B

