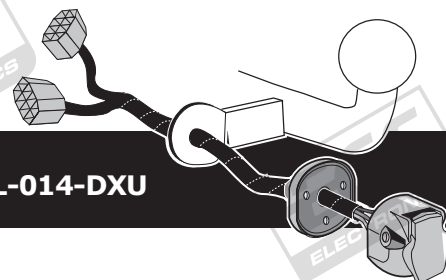


**Volvo V50 04/04- & 07/10-**  
**Volvo S40 03/04- & 06/10-**  
**Volvo C30 09/06-**

Partnr.: VL-014-DXU



- Fitting instructions electric wiring kit tow bar with 13-P socket up to DIN/ISO Norm 11446.
- We would expressly point out that assembly not carried out properly by a competent installer will result in cancellation of any right to damage compensation, in particular those arising by virtue of the product liability act.
- Contents of these kits and their fitting manuals are subject to alteration without notice, please ensure that these instructions are read and fully understood before commencing installation.
- Do not overload circuits; the maximum loads per connection are detailed in this manual.
- Attention! Before Installation, please read this manual carefully and inform your customer to consult the vehicle owners manual to check for any vehicle modifications required before towing.
- In the event of functional problems, troubleshooting must be limited to about 0.5 hours, contact the technical support:  
[t.skinner@ecs-electronics.com](mailto:t.skinner@ecs-electronics.com) / 07440 202 052.

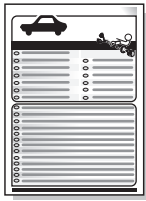
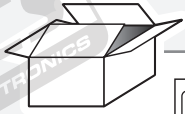
**TECHNICAL SUPPORT**

**CALL**  
**07440**  
**202**  
**052**

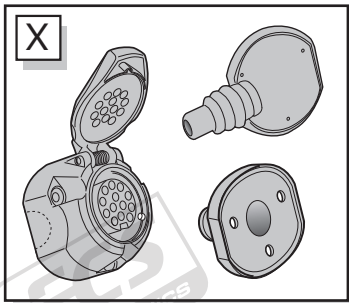
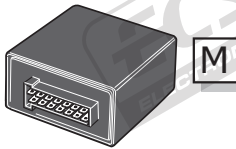
**ECS ELECTRONICS**

**MONDAY TO FRIDAY**  
08.00 - 11.00 am  
12.00 - 05.00 pm  
[t.skinner@ecs-electronics.com](mailto:t.skinner@ecs-electronics.com)  
[www.ecs-electronicsuk.co.uk](http://www.ecs-electronicsuk.co.uk)

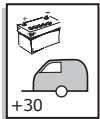
# Part list



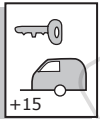
B



\* OPTION  
+30/+15  
preparation for



Brown/White



Red

R2

B

G I

OPTION  
+30/+15  
\*

M

X

R1

5x

L1

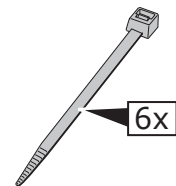
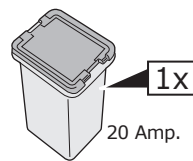
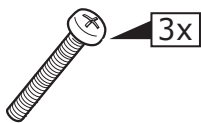
L2

L3

L4

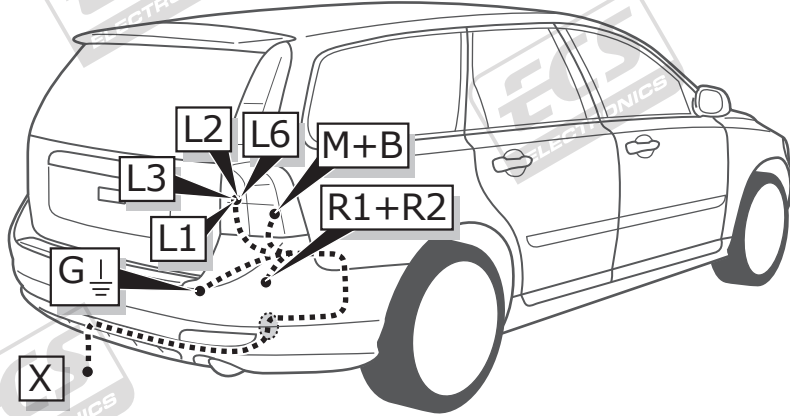
L5

L6

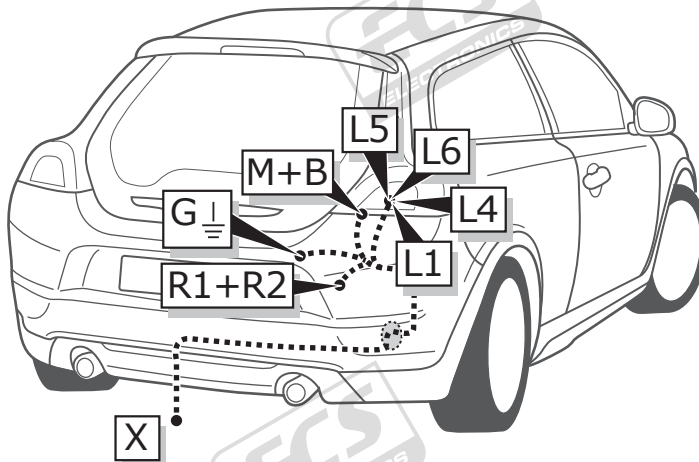


**ROUTING**

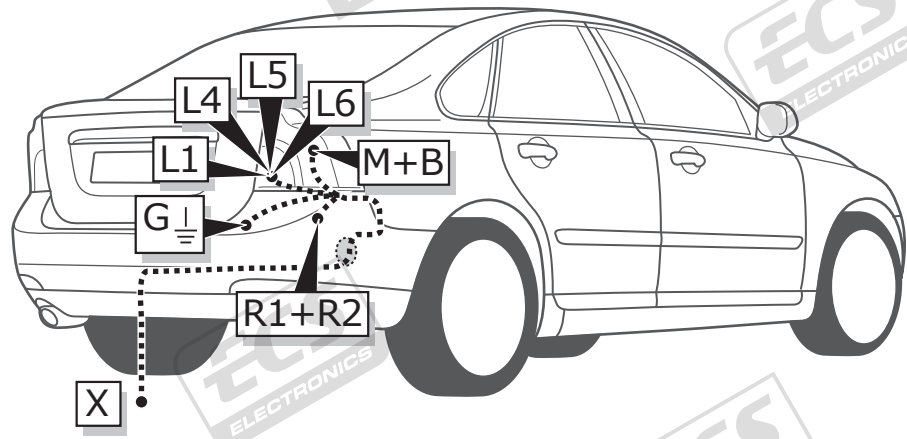
**Volvo V50**



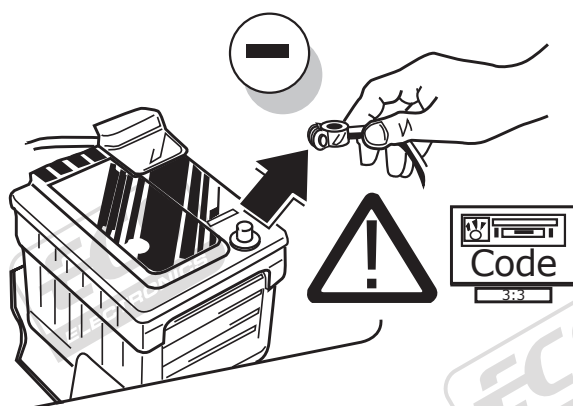
**Volvo C30**



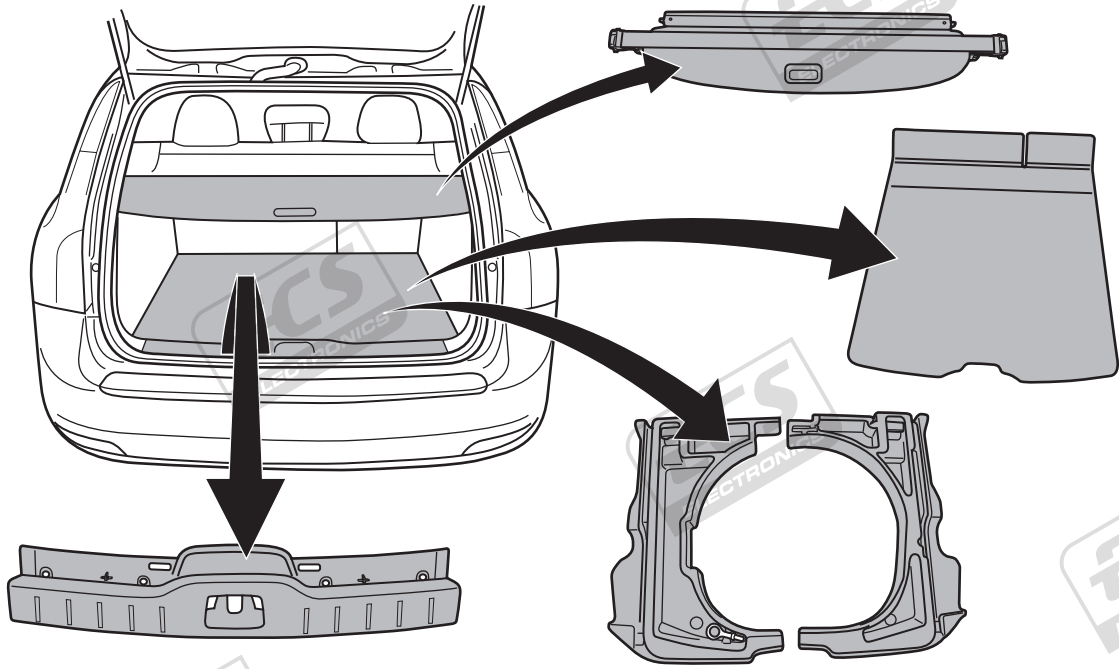
**Volvo S40**



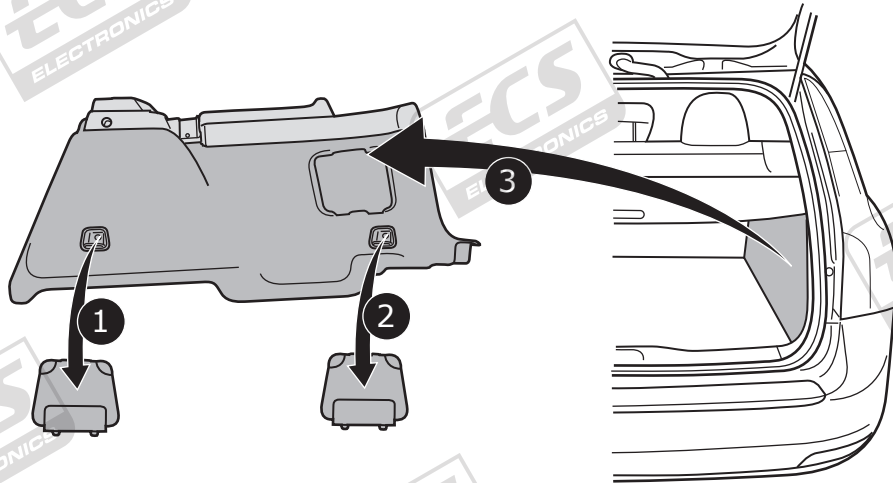
**1**



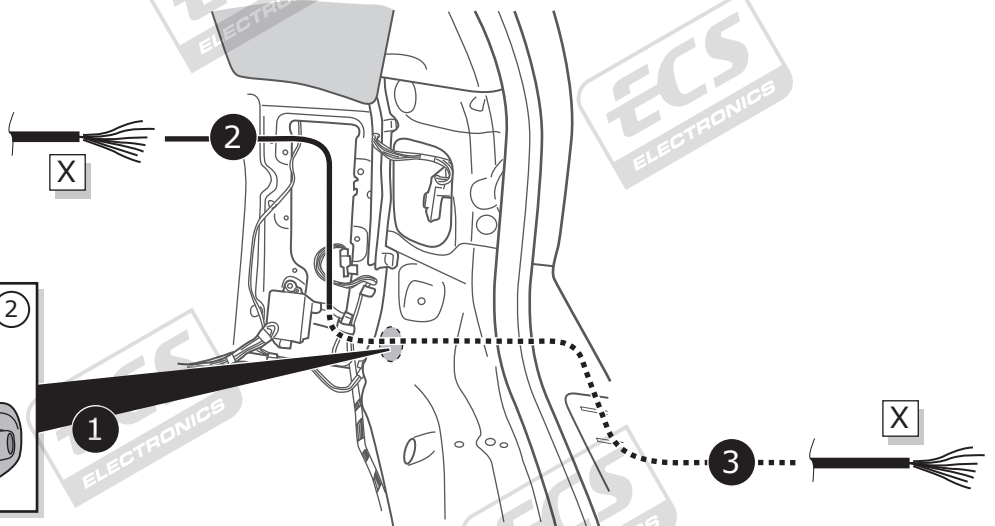
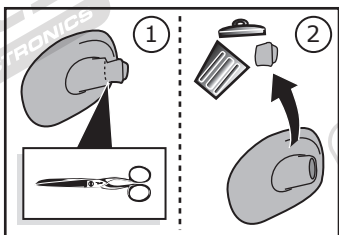
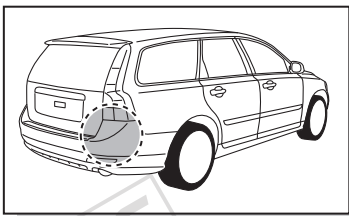
2



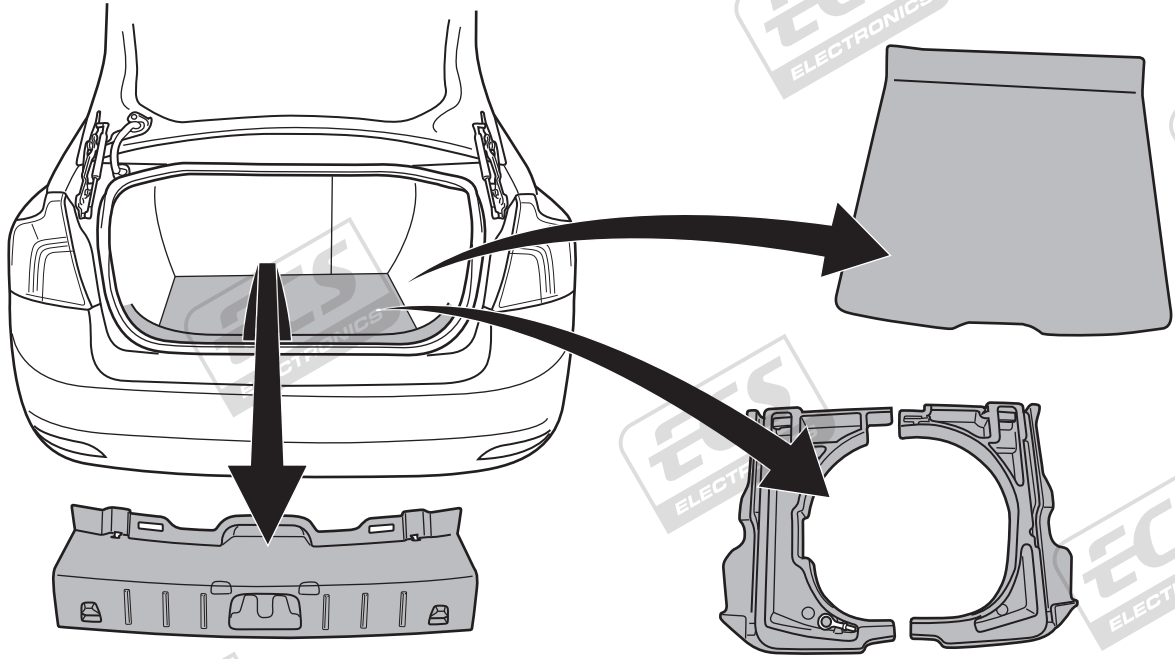
3



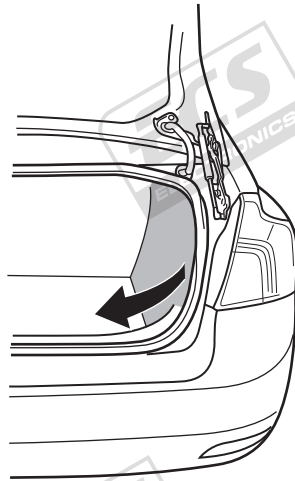
4



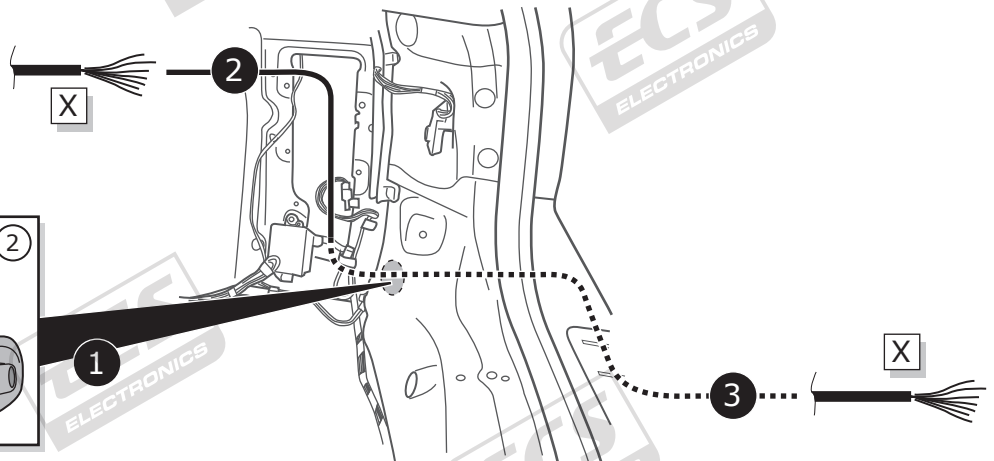
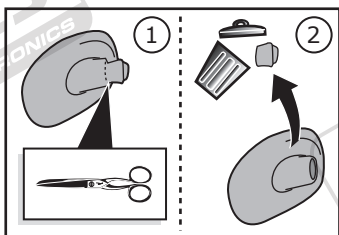
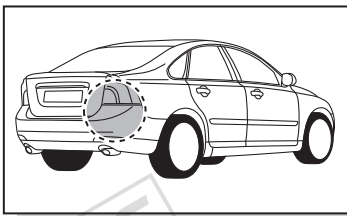
5



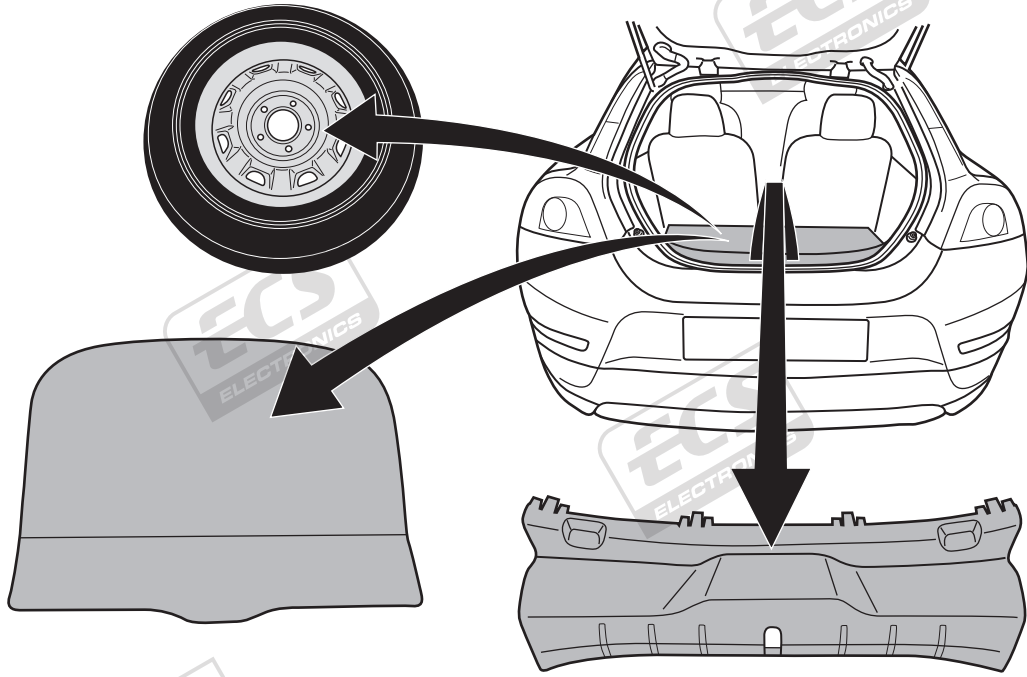
6



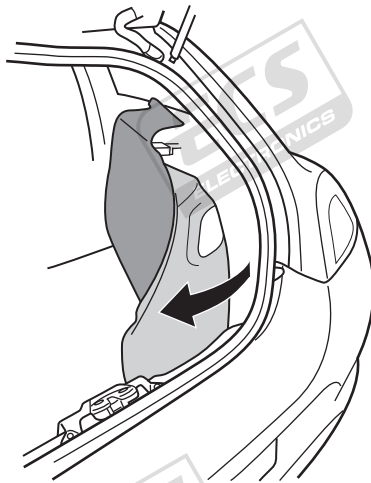
7



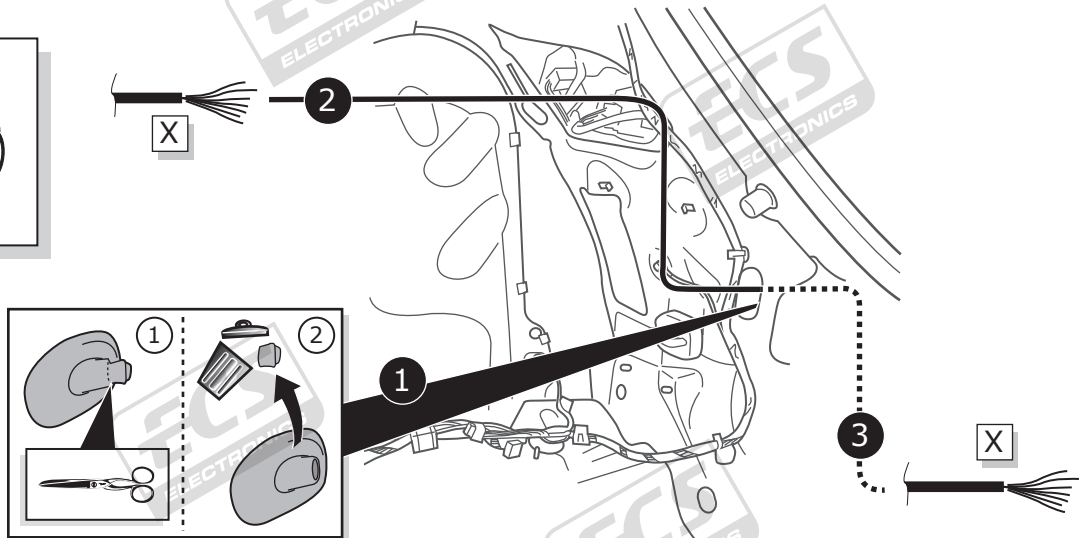
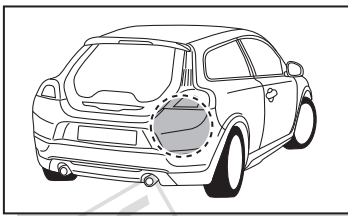
8



9

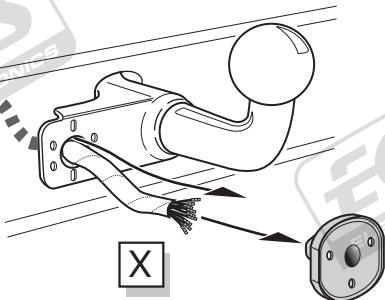


10

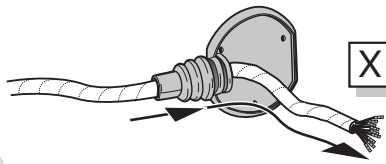


**A**

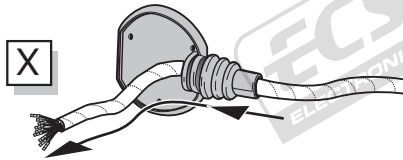
Option 1



Option 2



Option 3



**INFO**

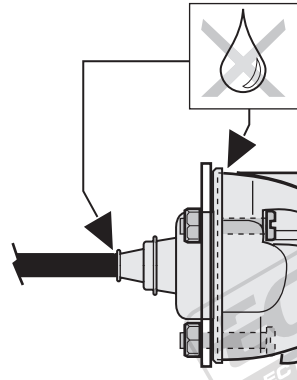
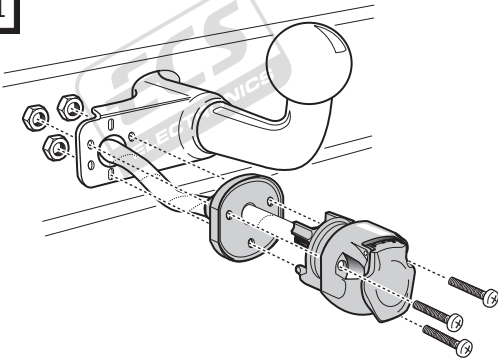
SOCKET CONNECTION



Pag. 18

**B**

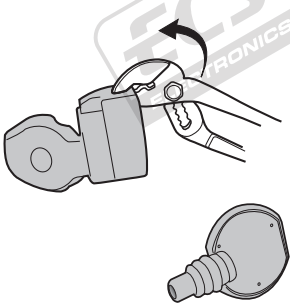
Option 1



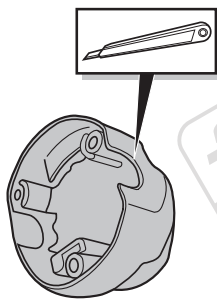
**C**

Option 2

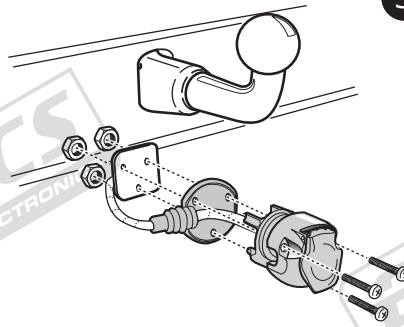
1



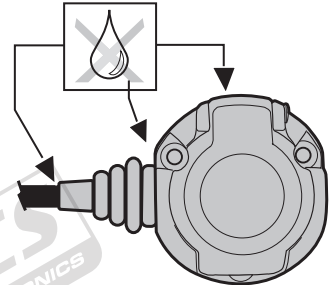
2



3



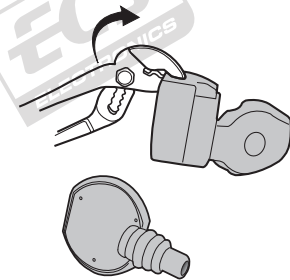
4



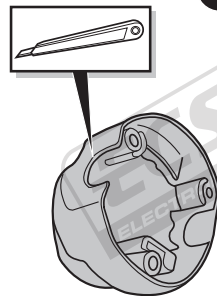
**D**

Option 3

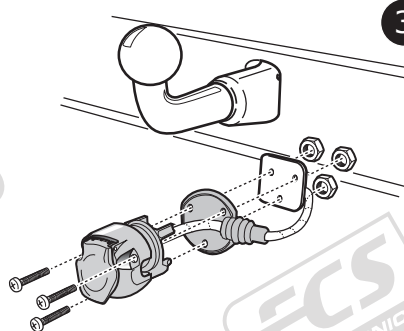
1



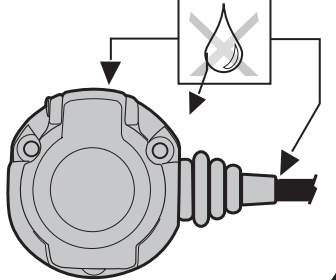
2



3

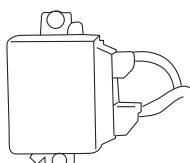


4

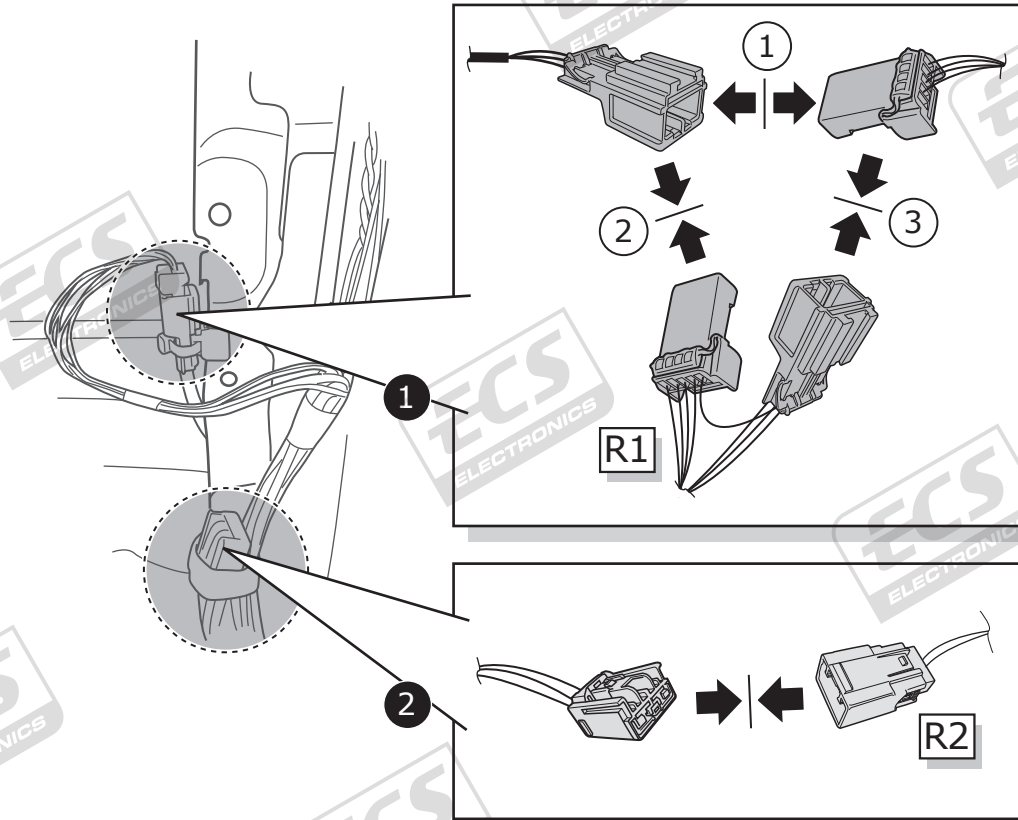
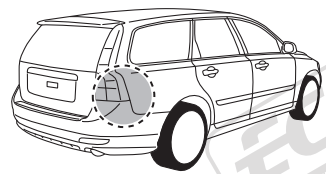
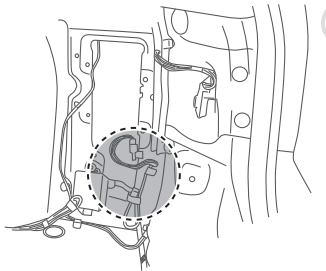


11

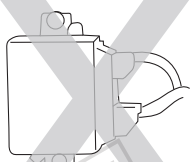
Option 1



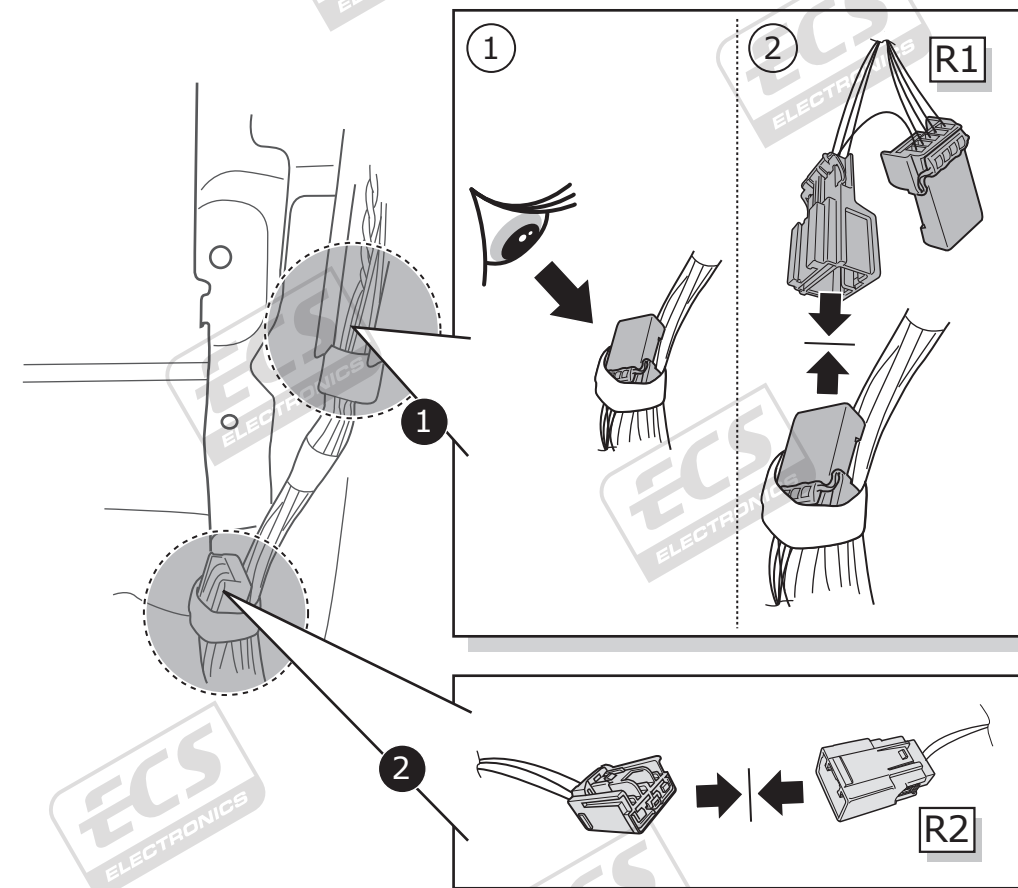
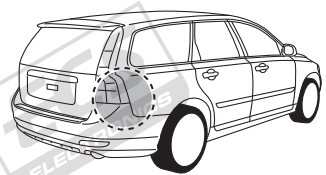
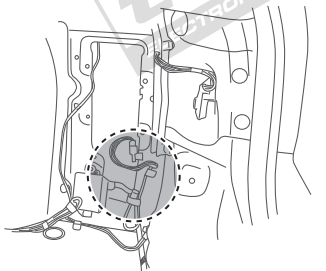
PDC Module



Option 2



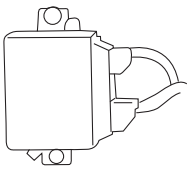
PDC Module



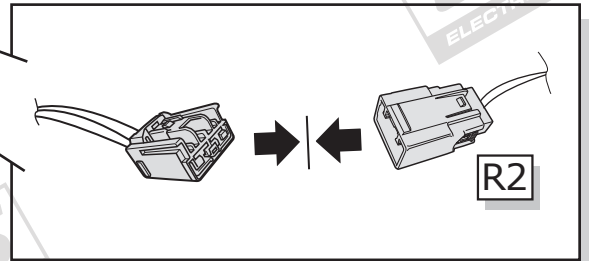
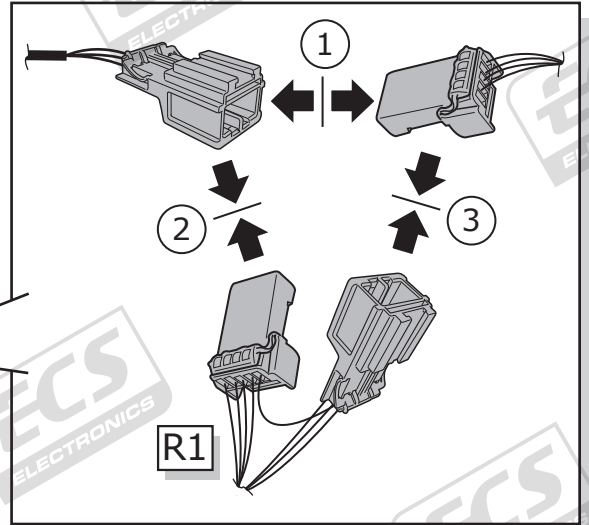
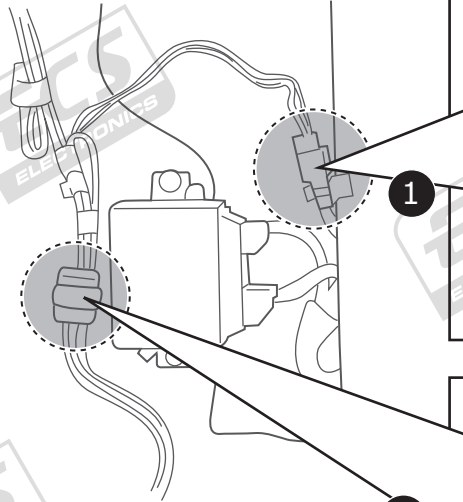
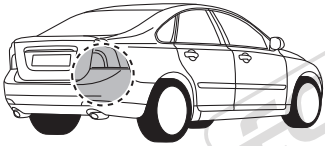
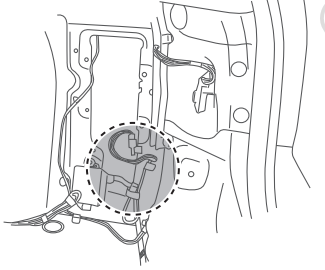


12

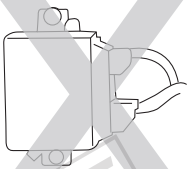
Option 1



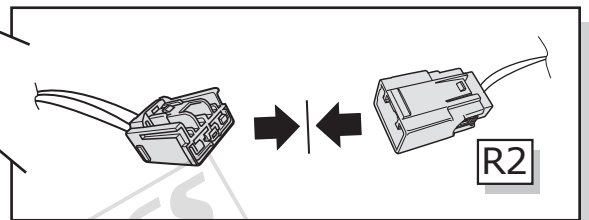
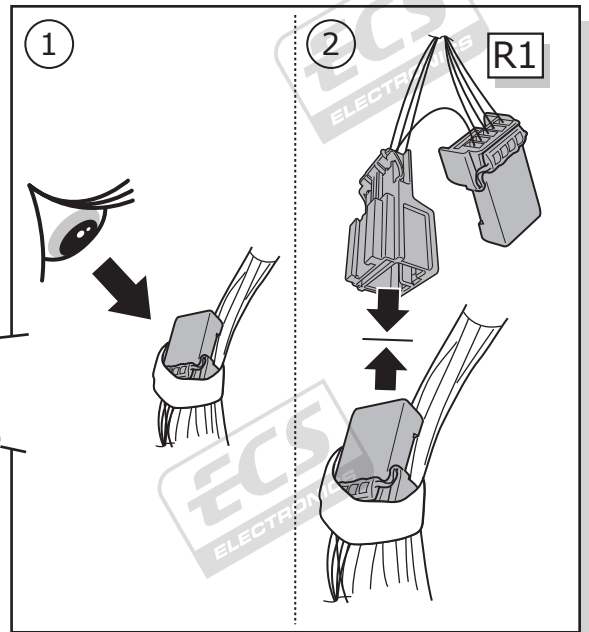
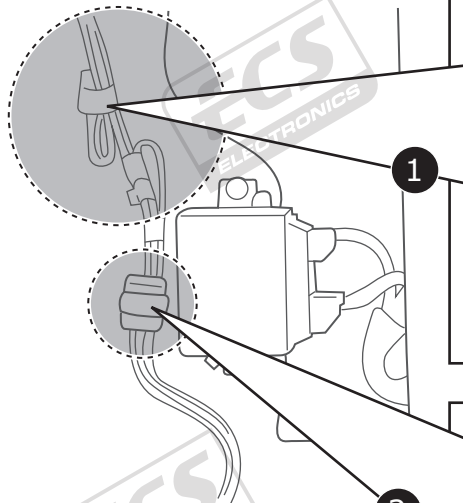
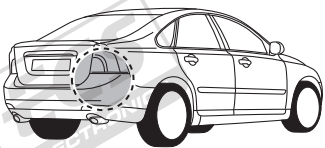
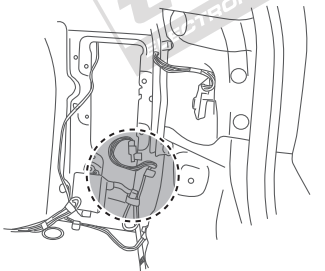
PDC Module



Option 2

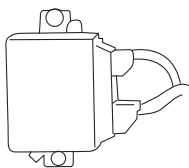


PDC Module

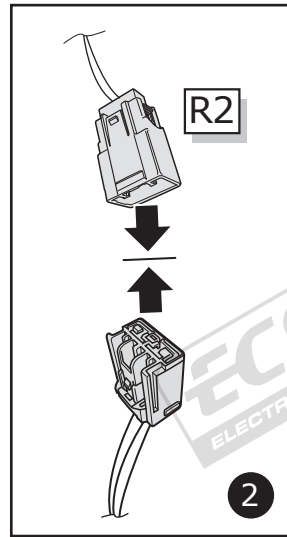
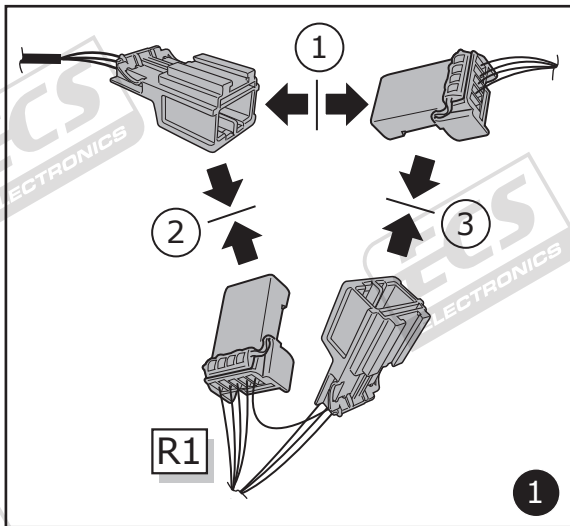
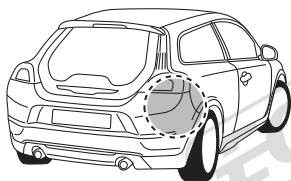
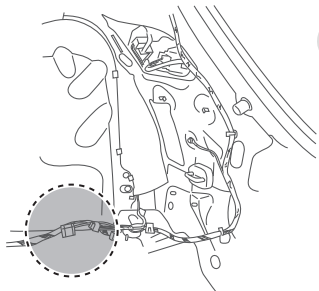


13

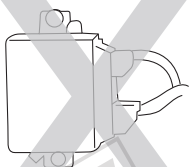
Option 1



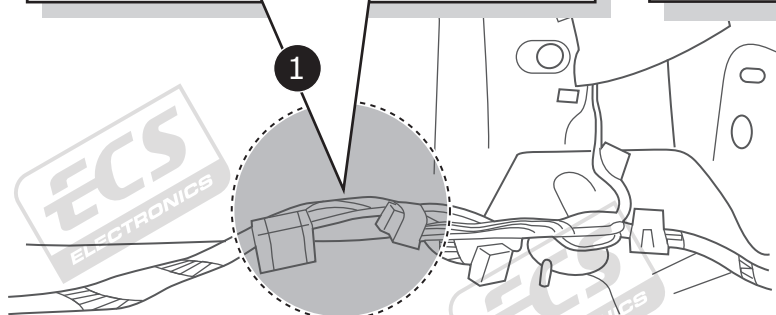
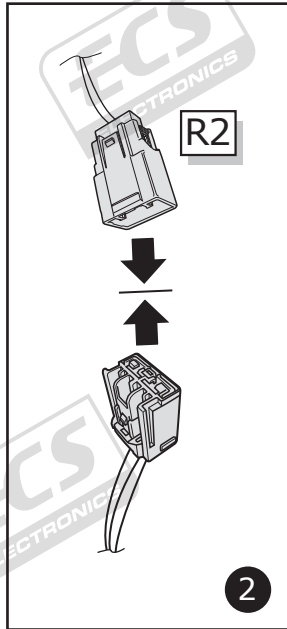
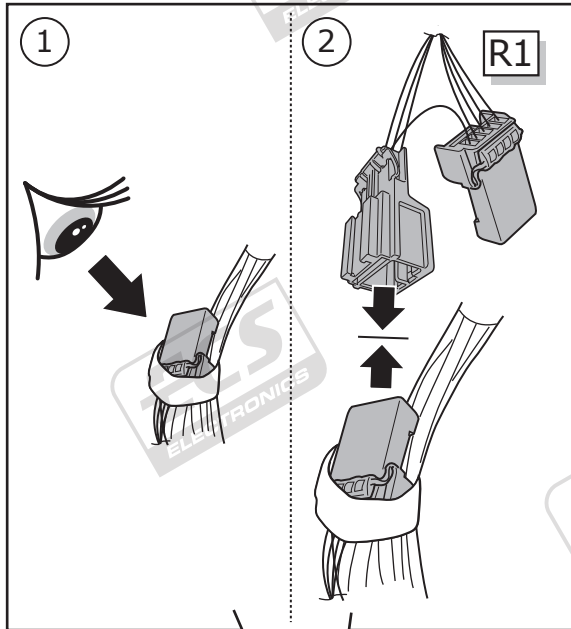
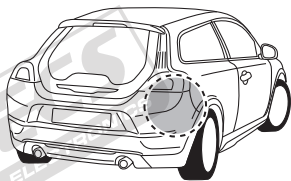
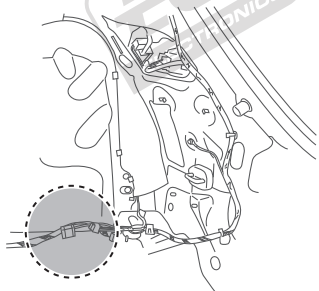
PDC Module



Option 2

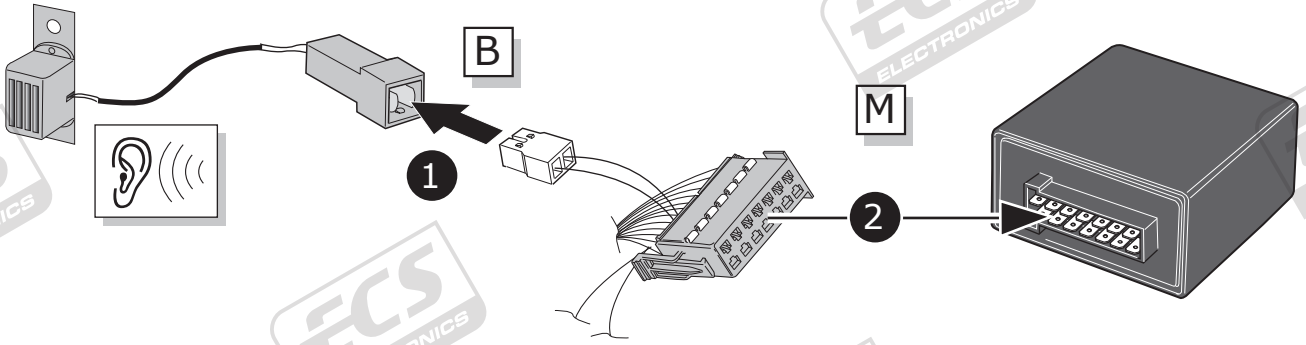


PDC Module

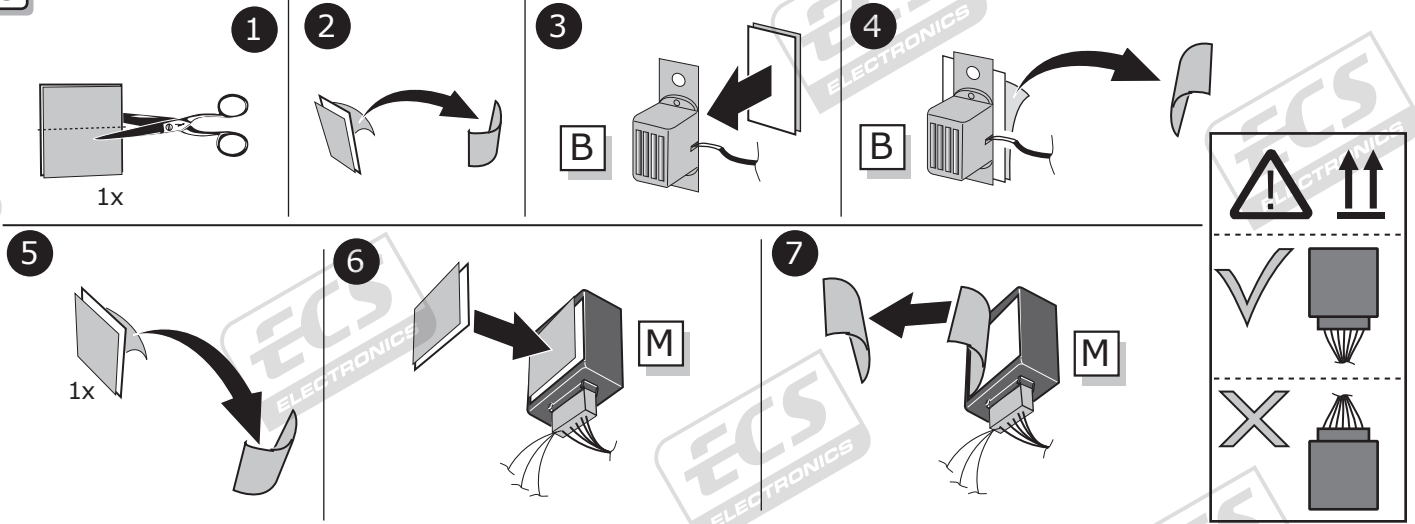


VOLVO V50 / VOLVO S40 / VOLVO C30

14

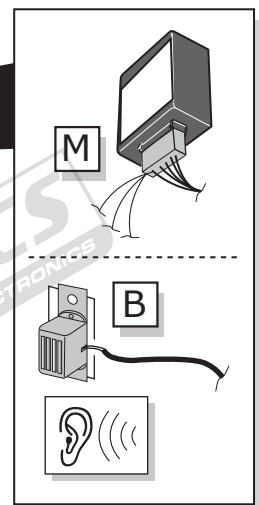
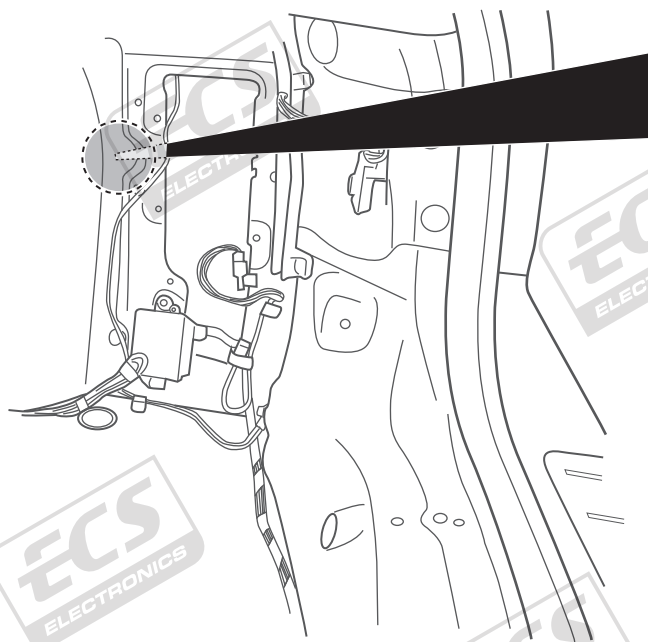
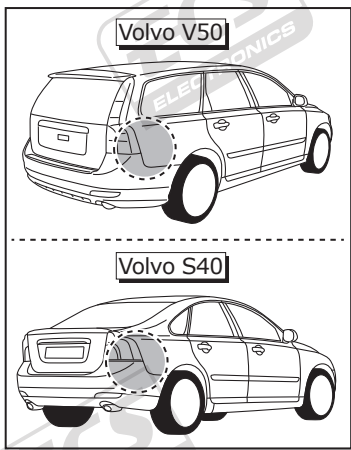


15



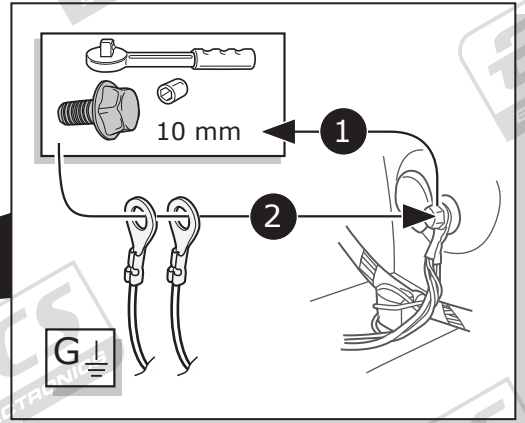
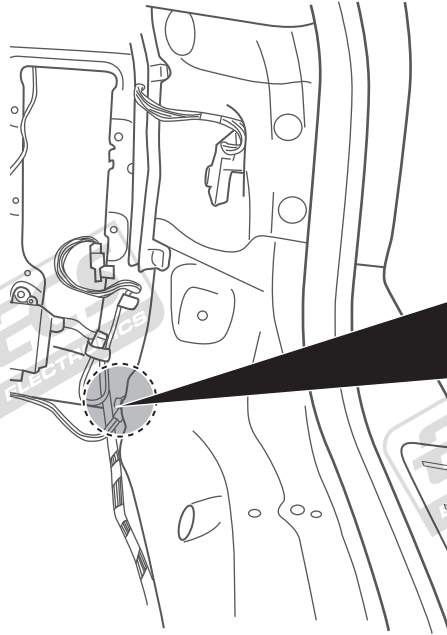
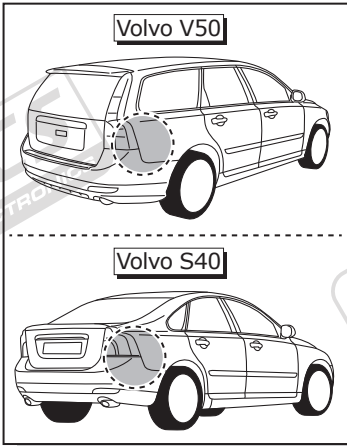
VOLVO V50 / VOLVO S40

16



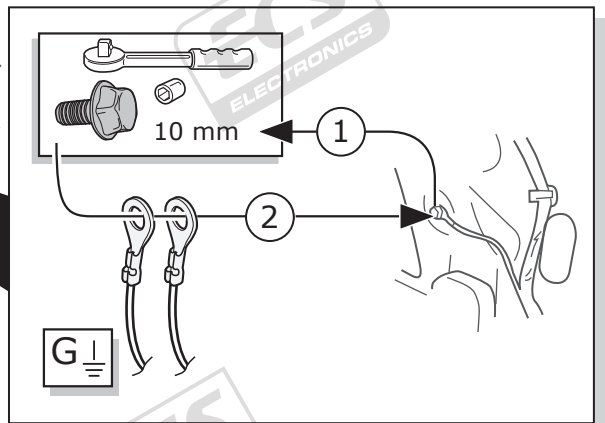
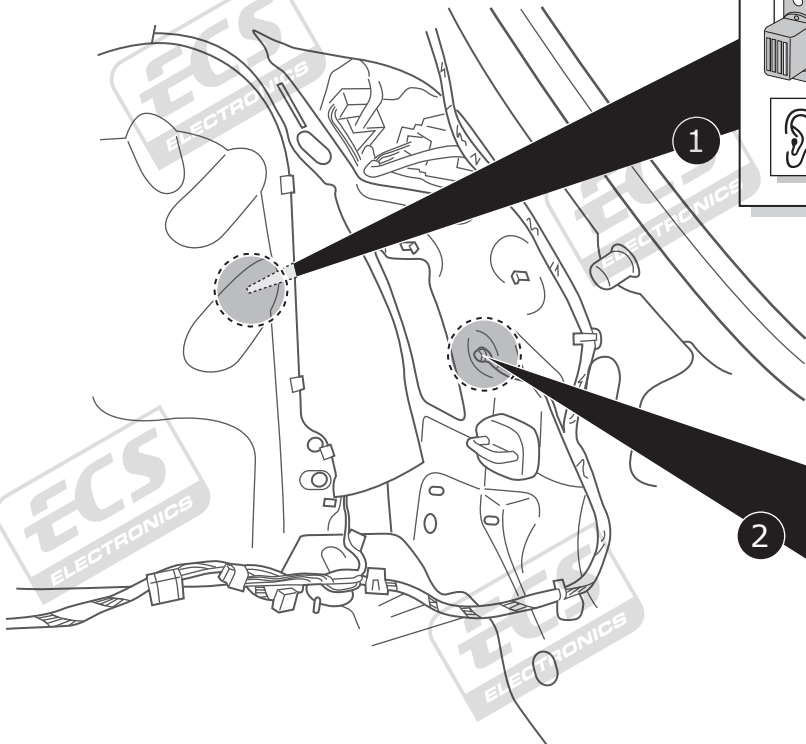
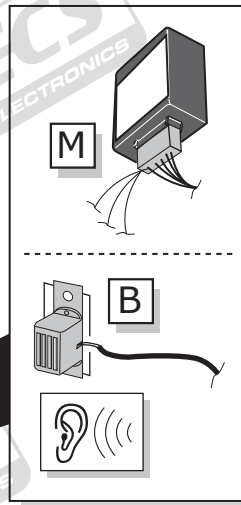
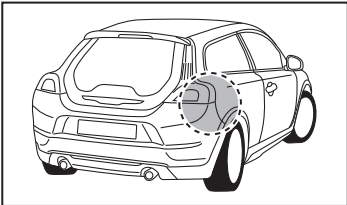
# VOLVO V50 / VOLVO S40

17

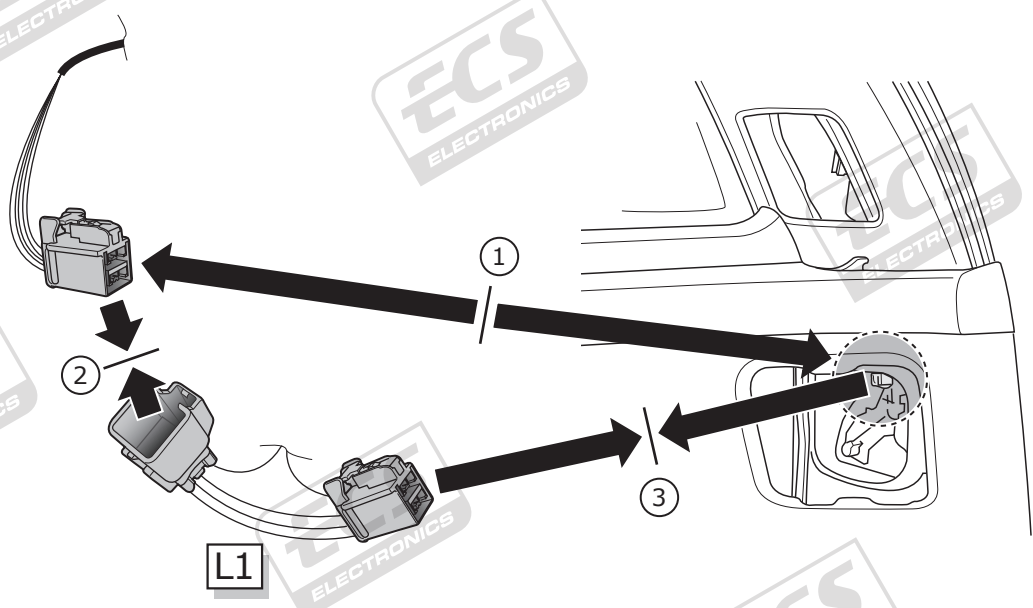
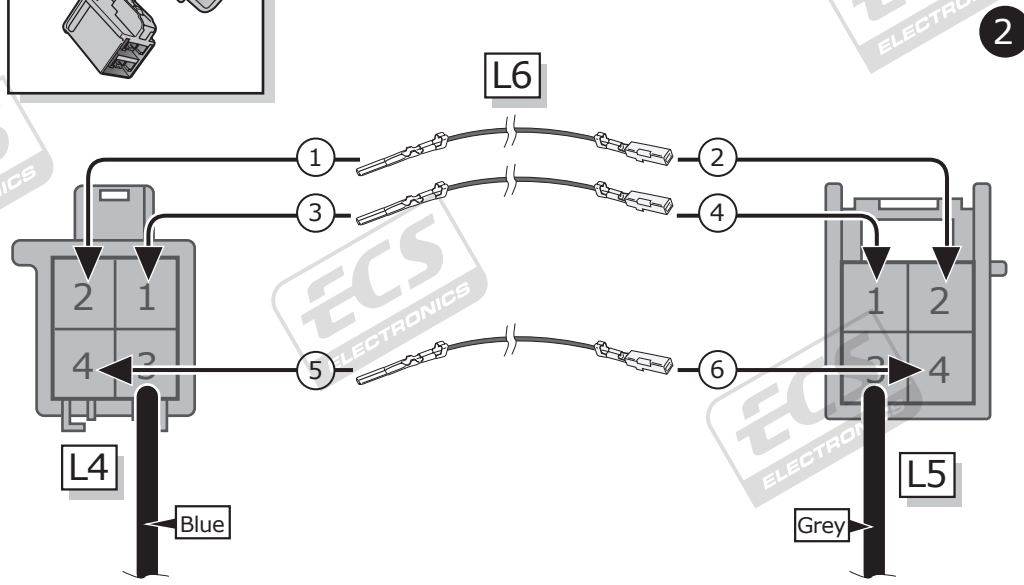
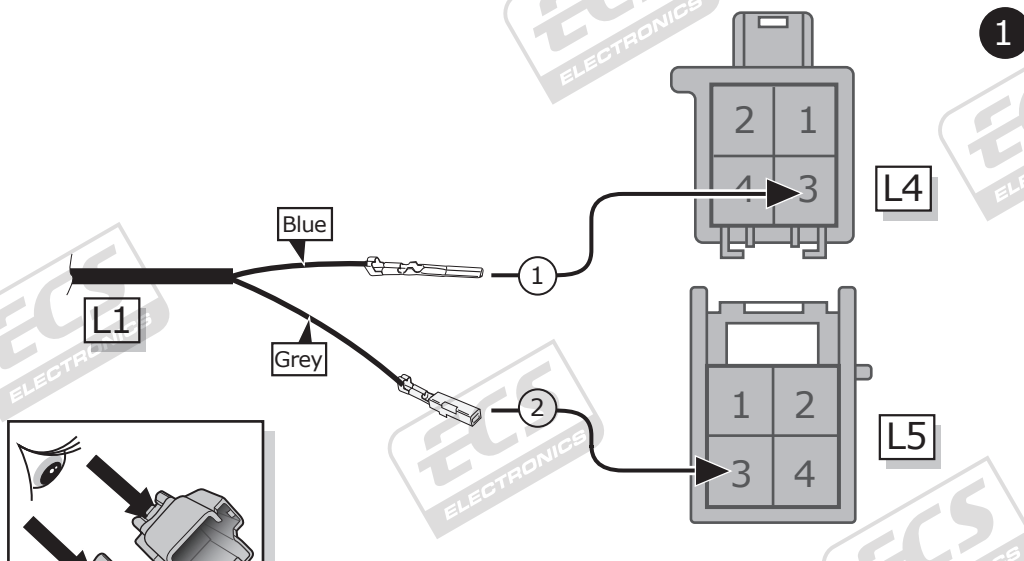
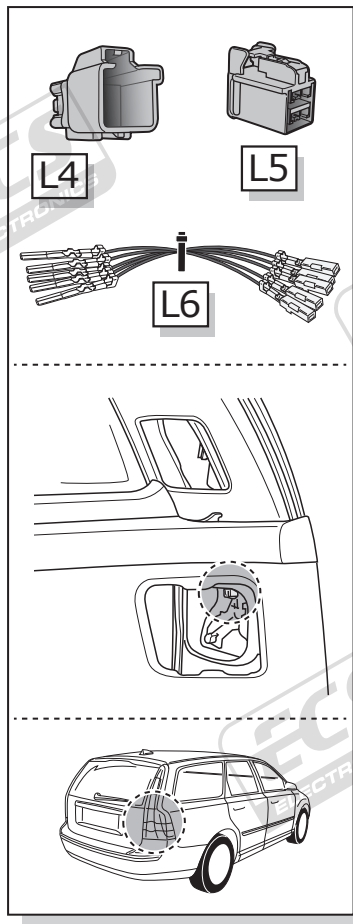


# VOLVO C30

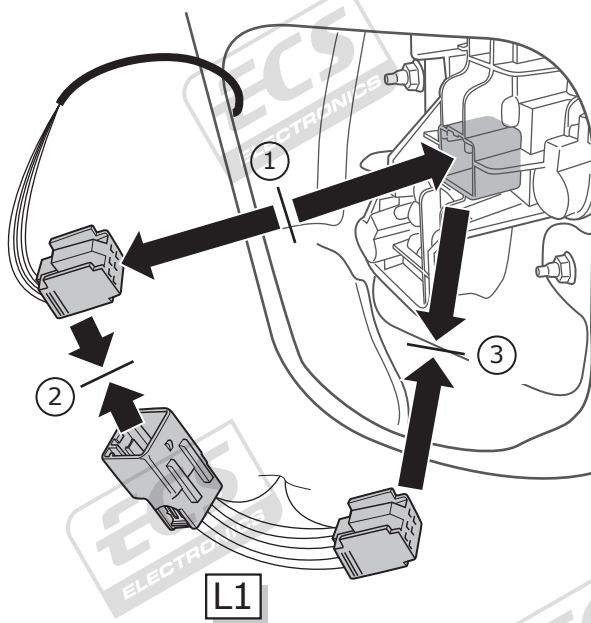
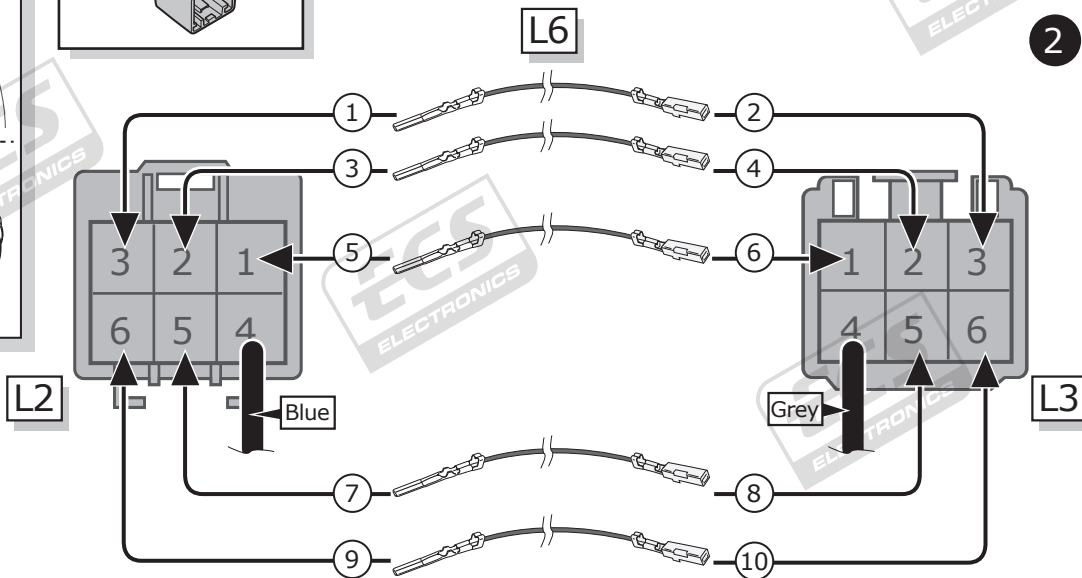
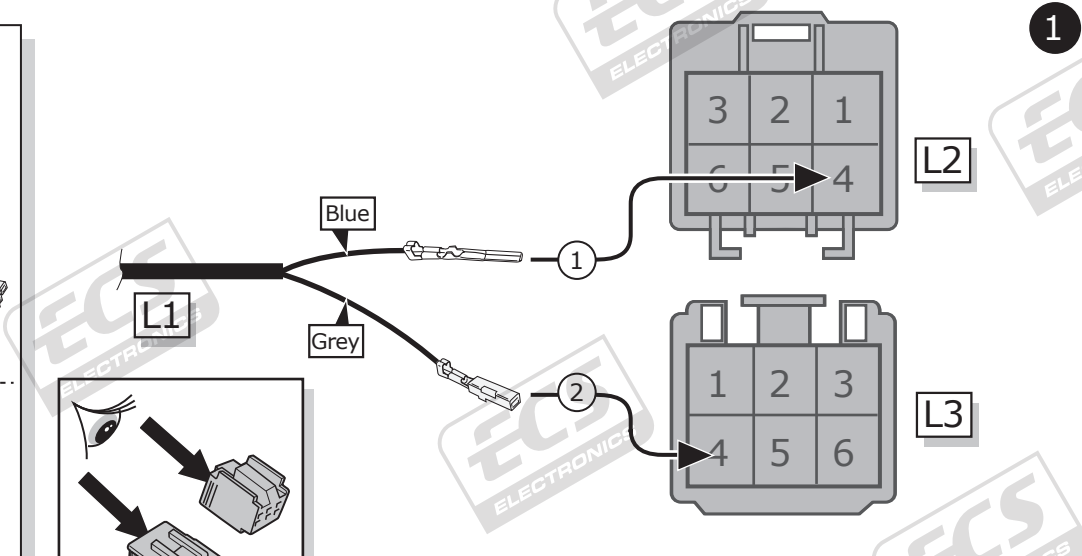
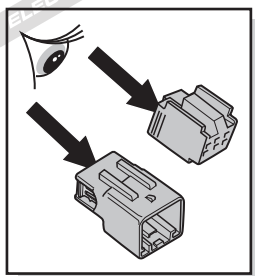
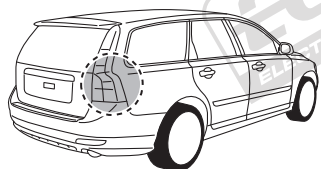
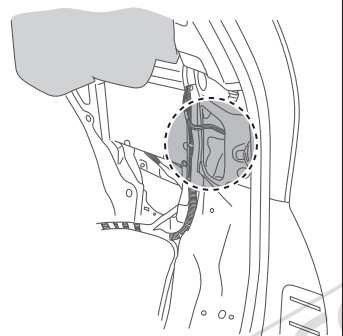
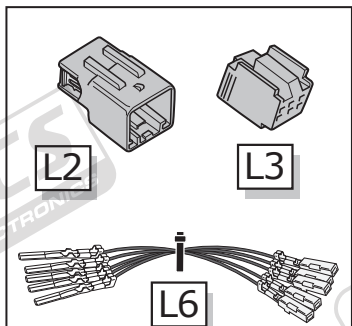
18



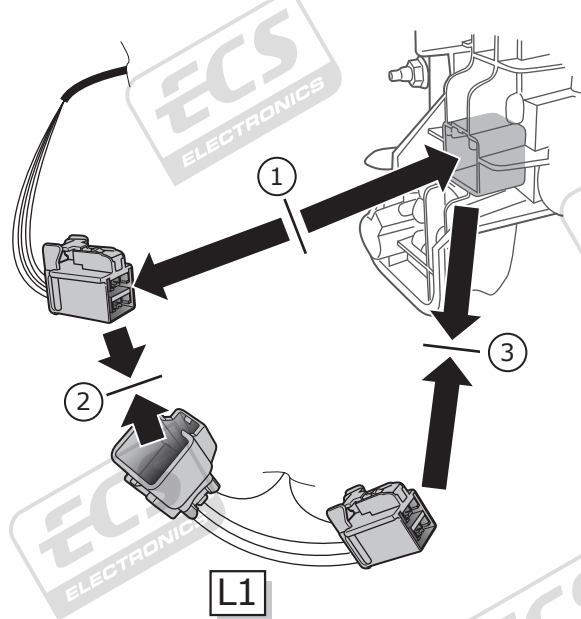
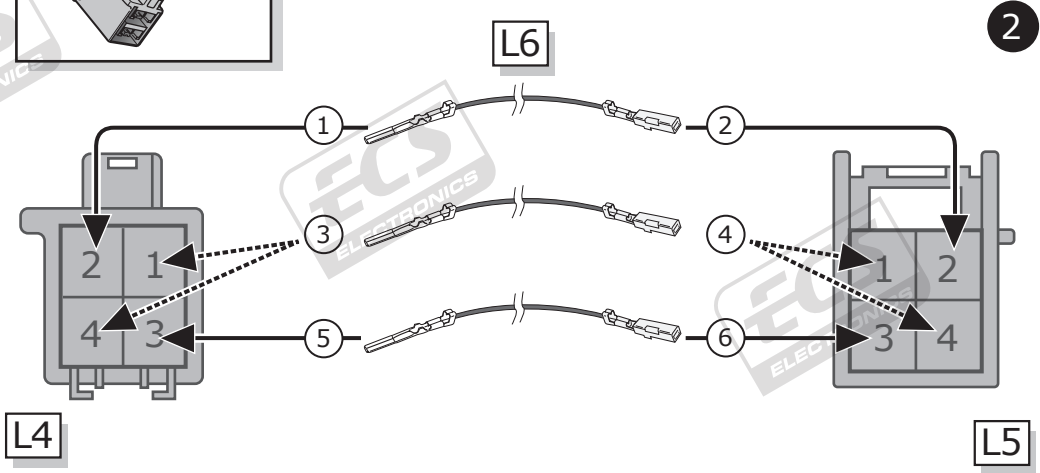
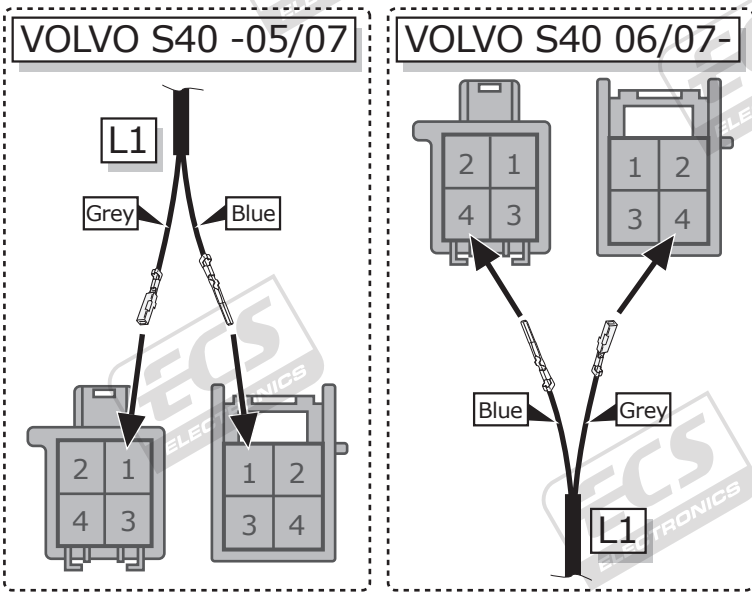
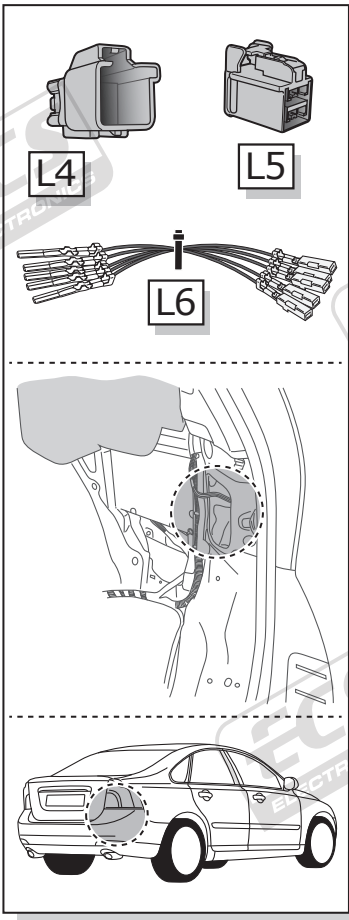
19



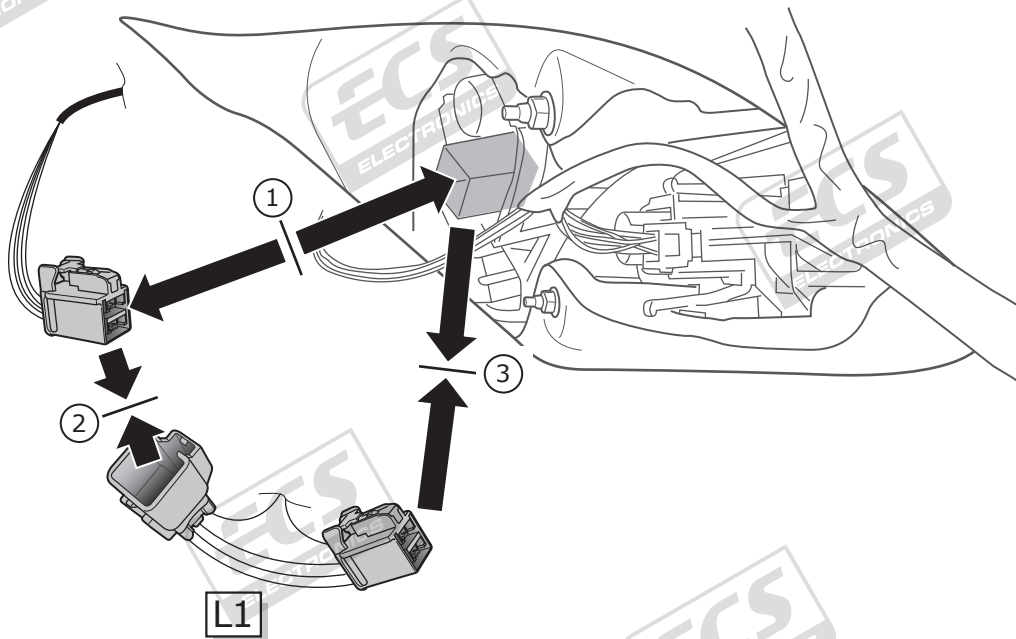
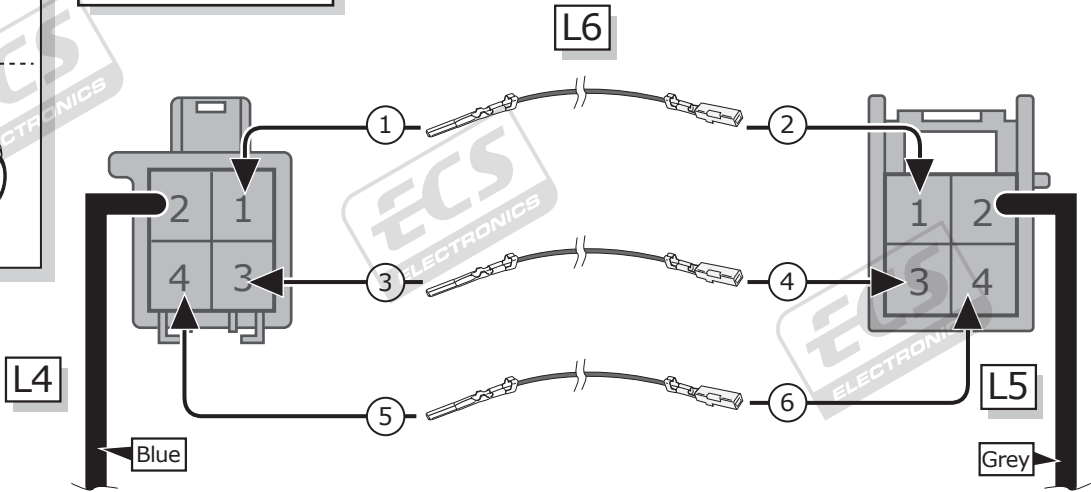
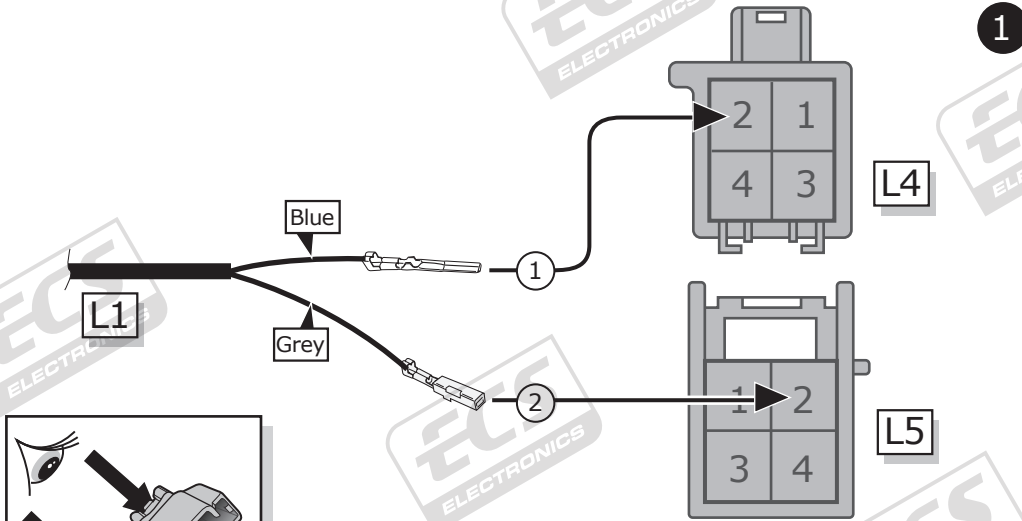
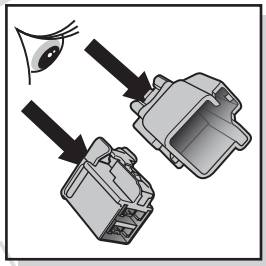
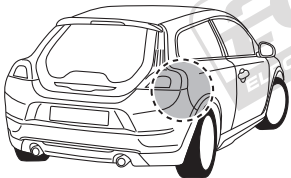
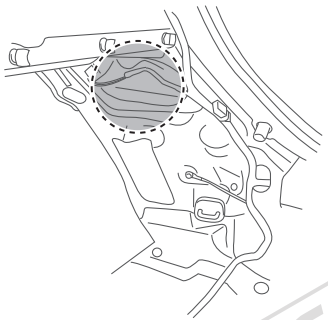
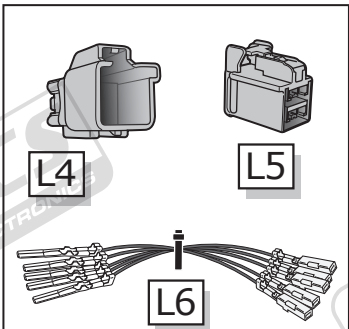
20



21



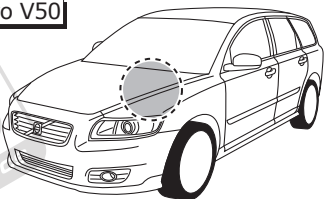
22



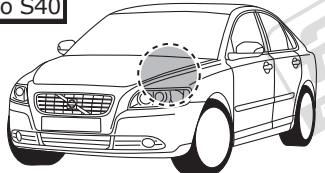


23

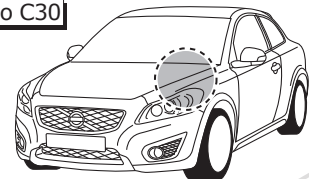
Volvo V50



Volvo S40

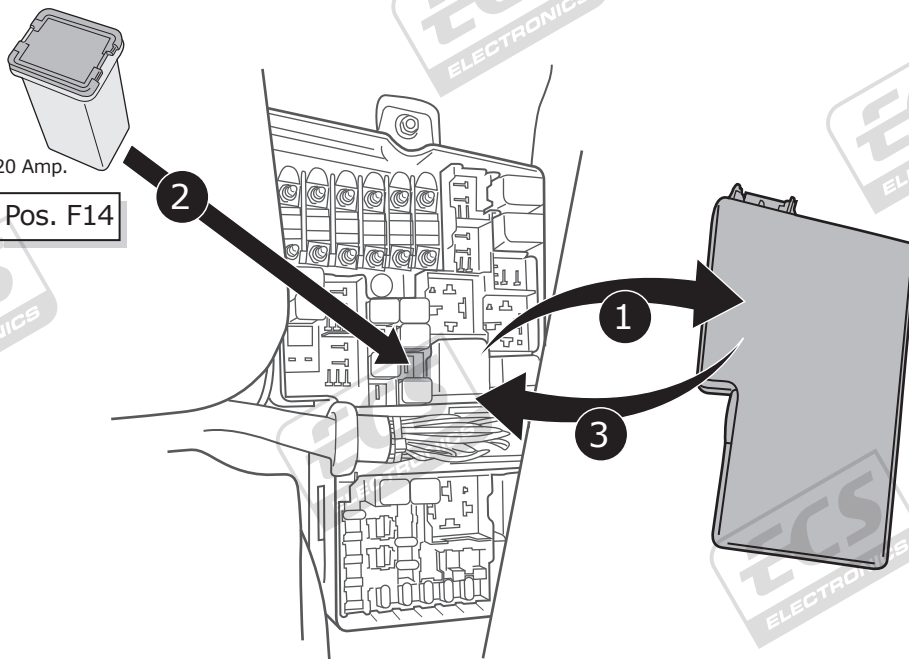


Volvo C30

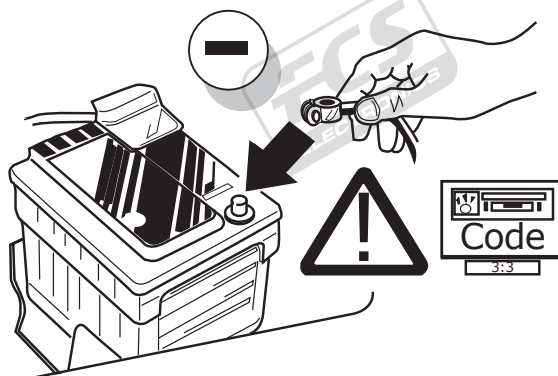


20 Amp.

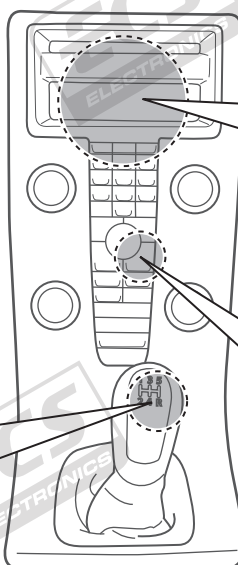
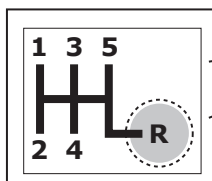
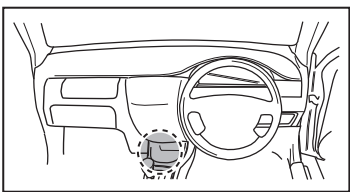
Pos. F14



24



25

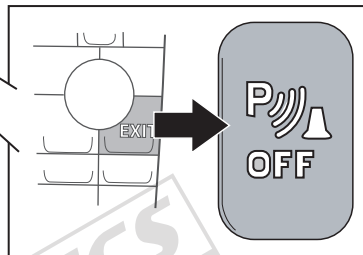


INFO

PARK DISTANCE CONTROL



PARK DISTANCE CONTROL



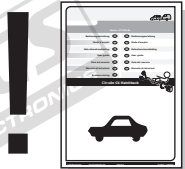
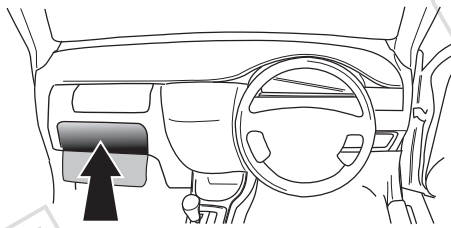
26

**!** TEST ALL THE CIRCUITS WITH A TEST DEVICE WITH THE CORRECT POWER LOAD FOR EACH FUNCTION. A TEST DEVICE WITH LED'S CANNOT BE USED FOR THIS PURPOSE.

INFO

REINSTALL TRIM.

27



**User guide**



INFO

SOCKET CONNECTION

DIN/ISO 11446														
	1/L	2	2a	3/31	4/R	5/58-R	6/54	7/58-L	8	9	10	11	12	13
Pmax	21W	21W			21W	42W	3x21W	42W	21W	180W/15Amp	180W/15Amp			
Colour	Yellow	Blue	Grey	White	Green	Brown	Red 1,00 mm <sup>2</sup>	Black	Black/ Red	Brown/ White	Red 2,50 mm <sup>2</sup>	White	-	White