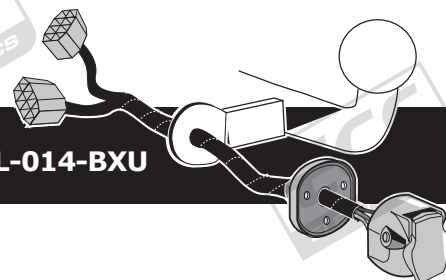


Volvo V50 04/04- & 07/10-
Volvo S40 03/04- & 06/10-
Volvo C30 09/06-

Partnr.: VL-014-BXU



- Fitting instructions electric wiring kit tow bar with 12-N socket up to DIN/ISO Norm 1724.
- We would expressly point out that assembly not carried out properly by a competent installer will result in cancellation of any right to damage compensation, in particular those arising by virtue of the product liability act.
- Contents of these kits and their fitting manuals are subject to alteration without notice, please ensure that these instructions are read and fully understood before commencing installation.
- Do not overload circuits; the maximum loads per connection are detailed in this manual.
- Attention! Before Installation, please read this manual carefully and inform your customer to consult the vehicle owners manual to check for any vehicle modifications required before towing.
- In the event of functional problems, troubleshooting must be limited to about 0.5 hours, contact the technical support:
t.skinner@ecs-electronics.com / 07440 202 052.

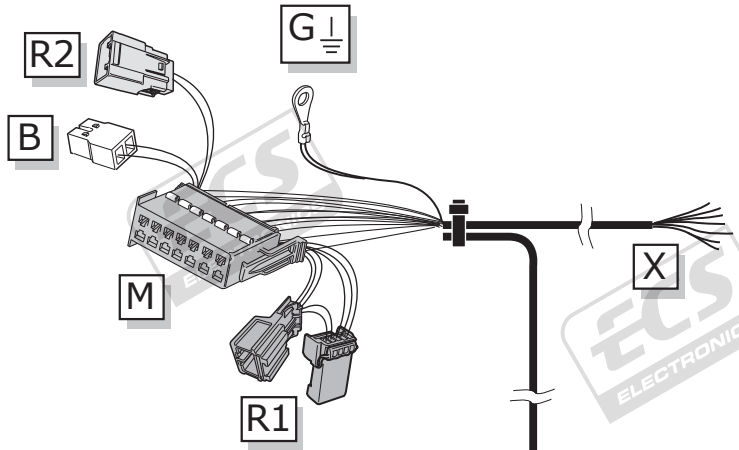
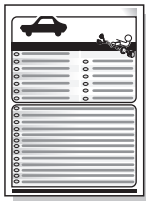
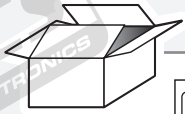
TECHNICAL SUPPORT

CALL
07440
202
052

ECS ELECTRONICS

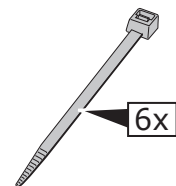
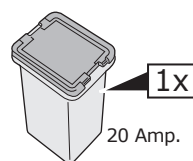
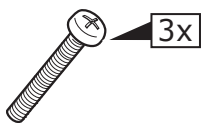
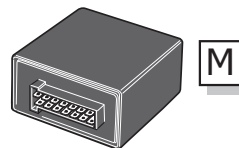
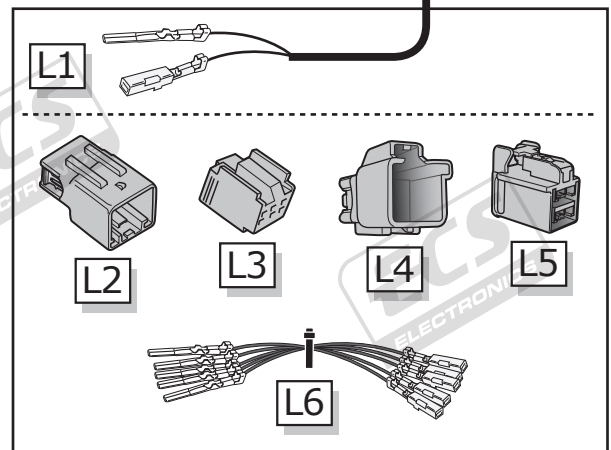
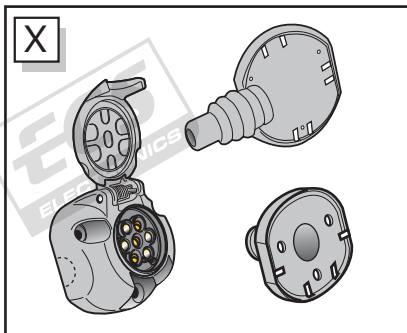
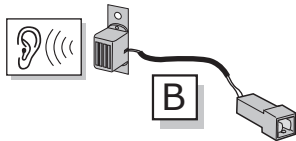
MONDAY TO FRIDAY
08.00 - 11.00 am
12.00 - 05.00 pm
t.skinner@ecs-electronics.com
www.ecs-electronicsuk.co.uk

Part list



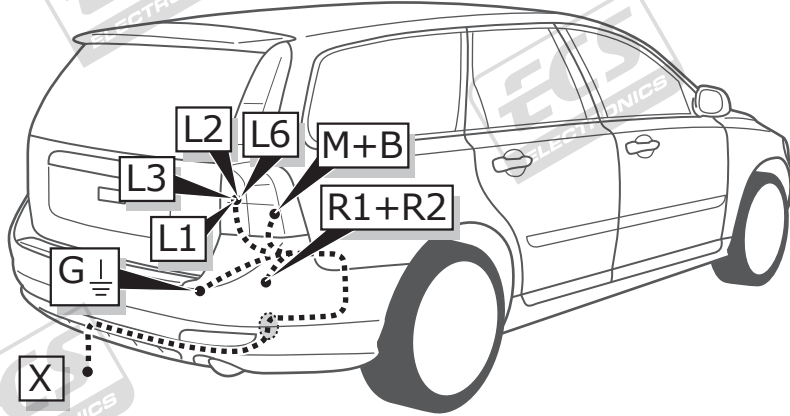
UN-243-YZ
Optional reverse lamp pre-wire extension included

Pag. 19

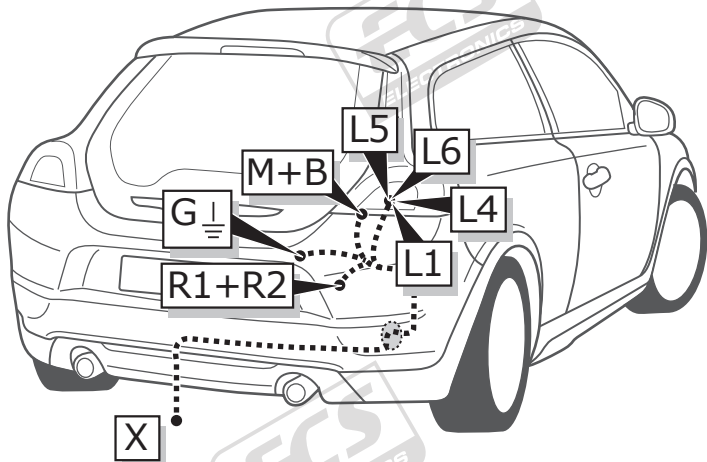


ROUTING

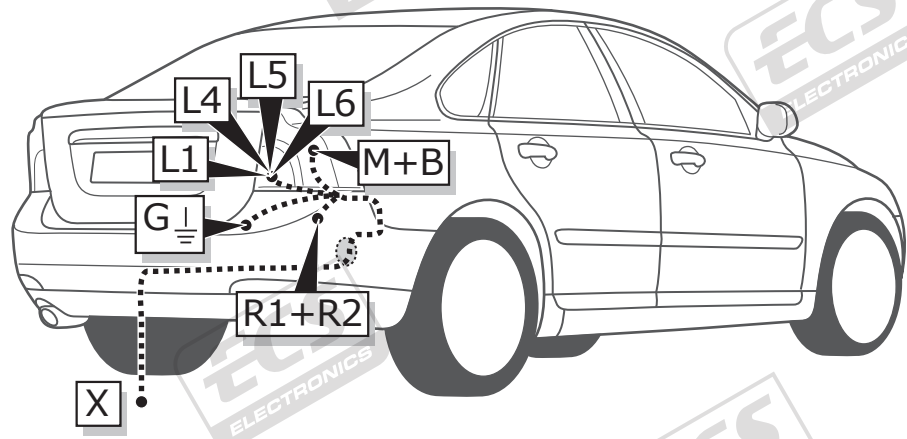
Volvo V50



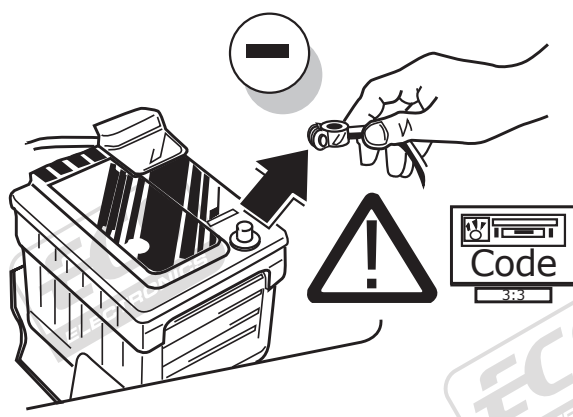
Volvo C30



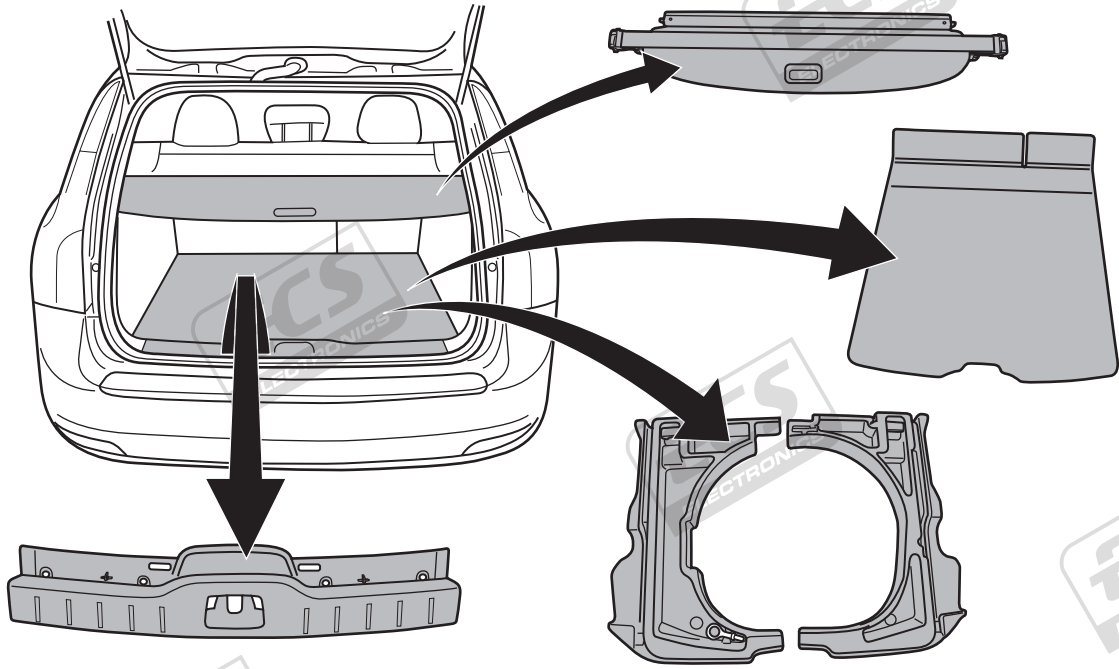
Volvo S40



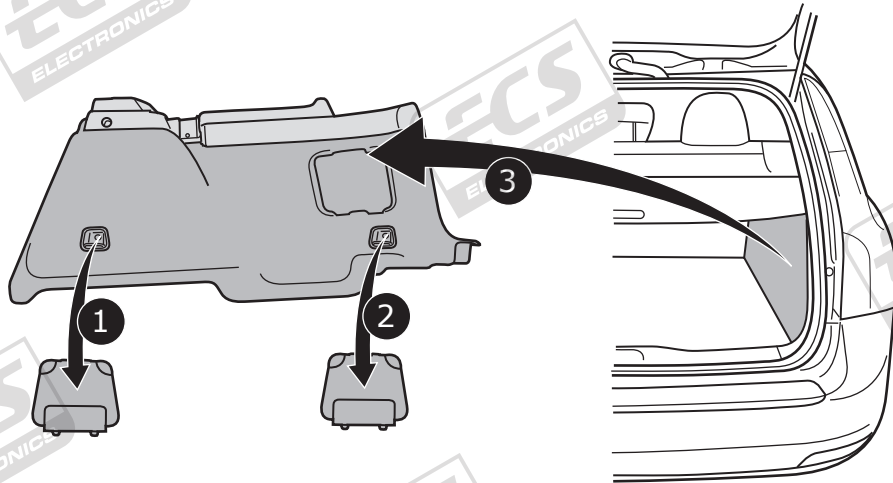
1



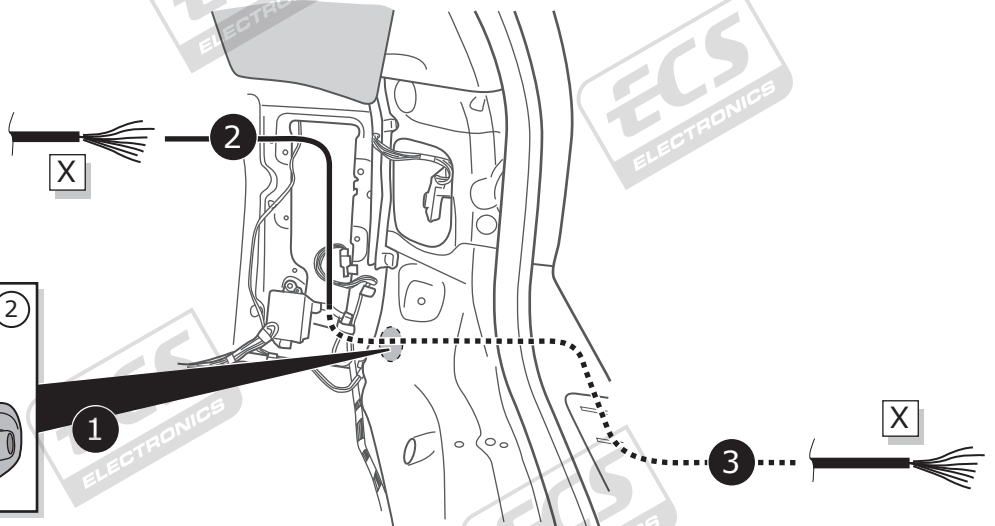
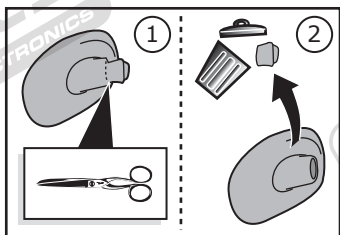
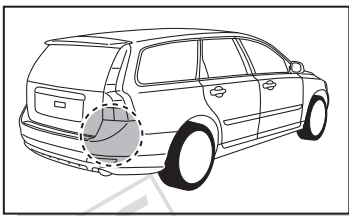
2



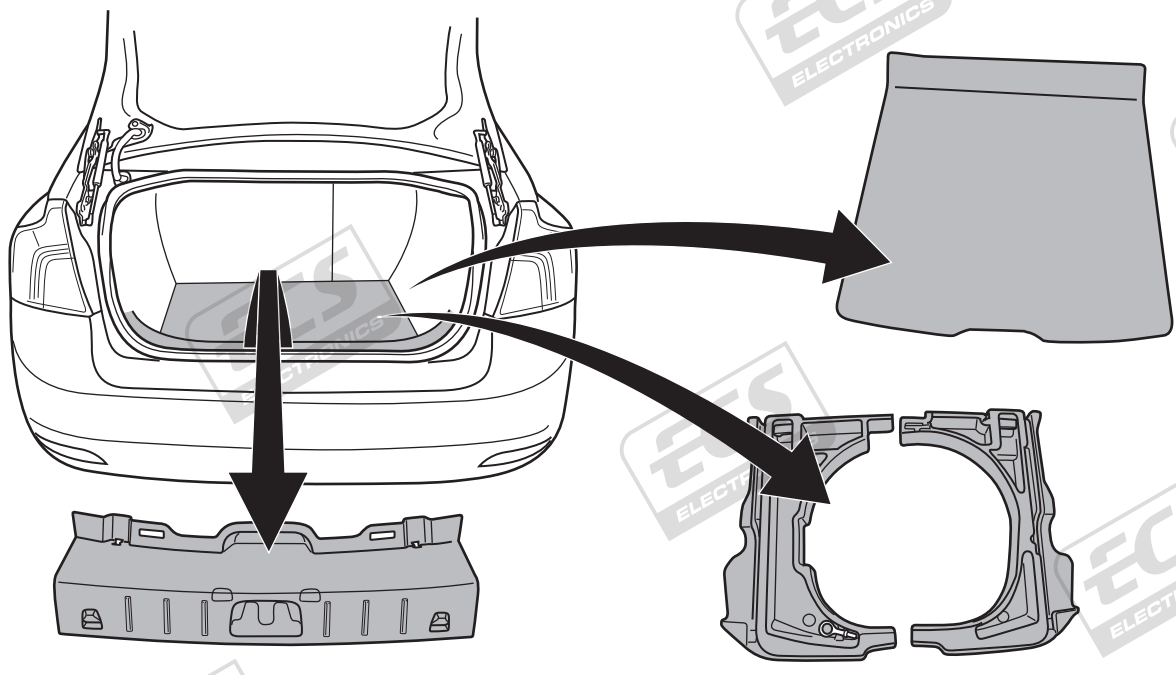
3



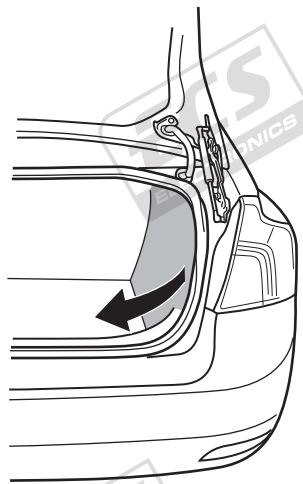
4



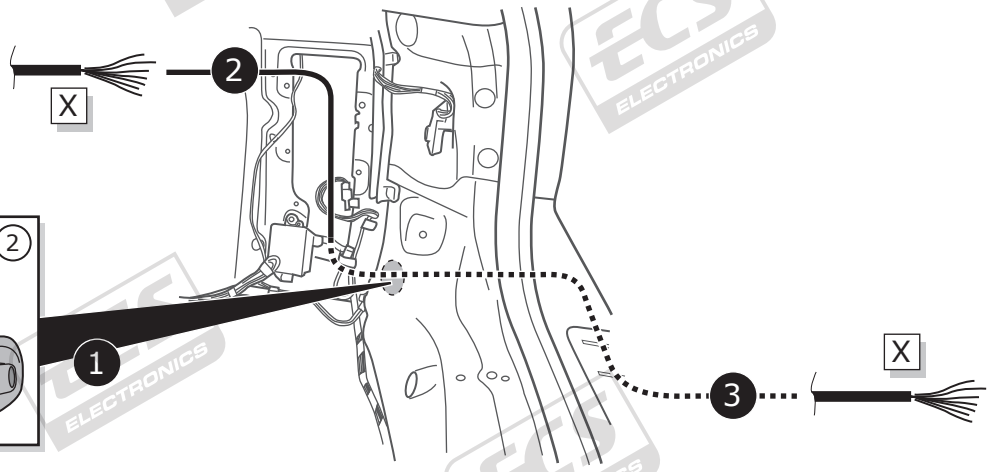
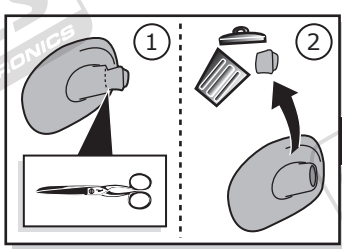
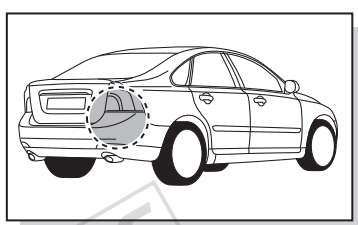
5



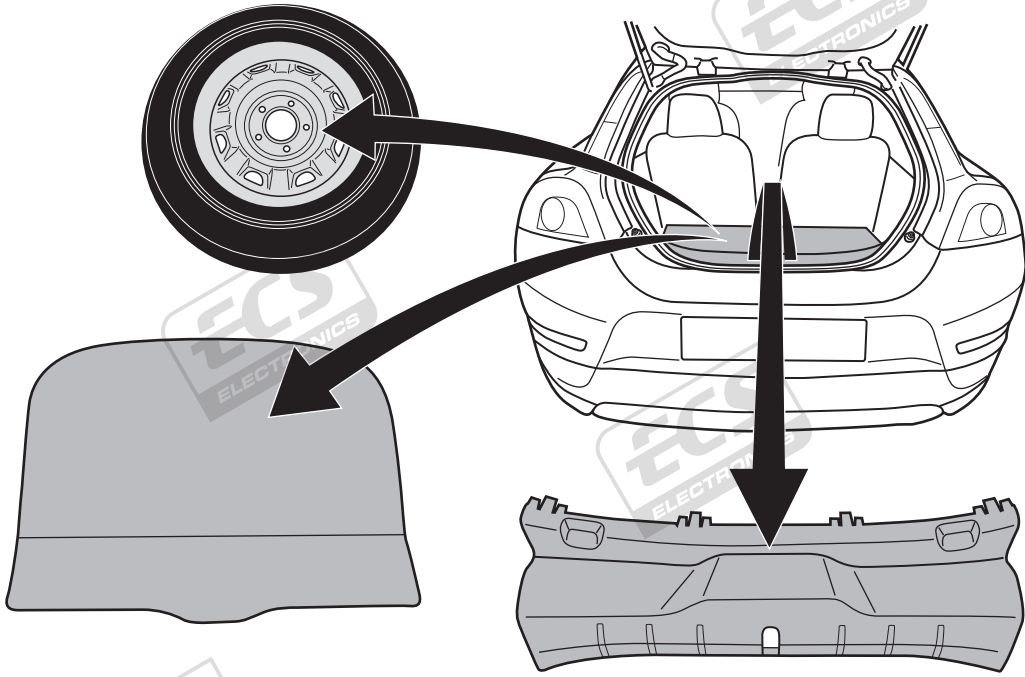
6



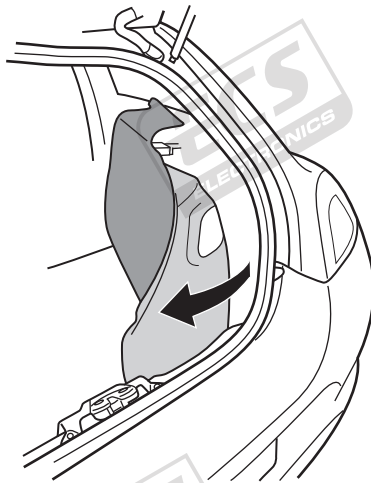
7



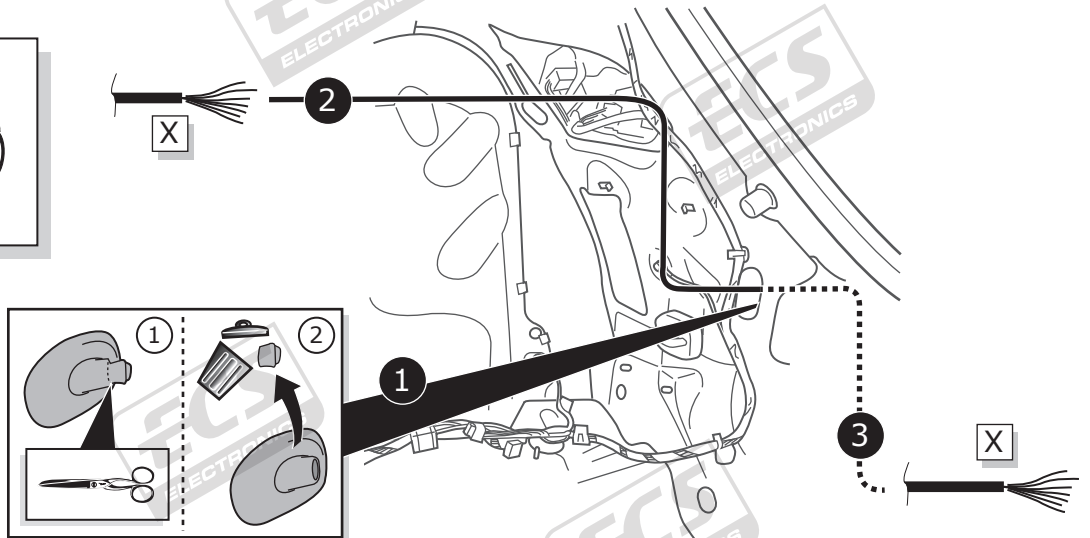
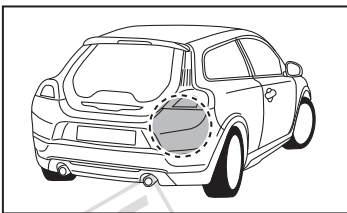
8



9

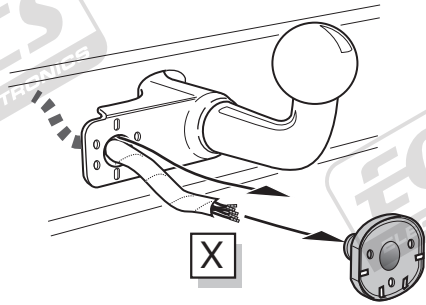


10

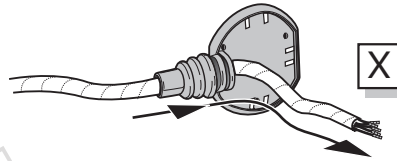


A

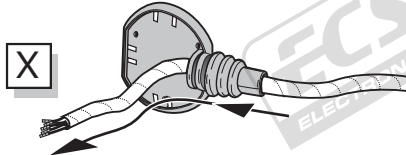
Option 1



Option 2



Option 3



INFO

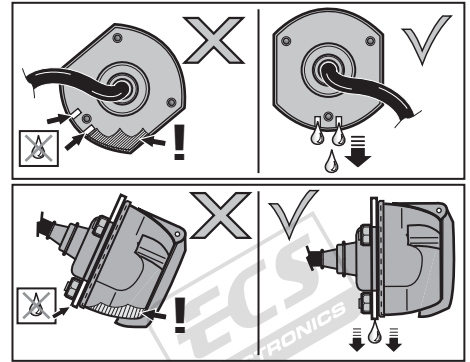
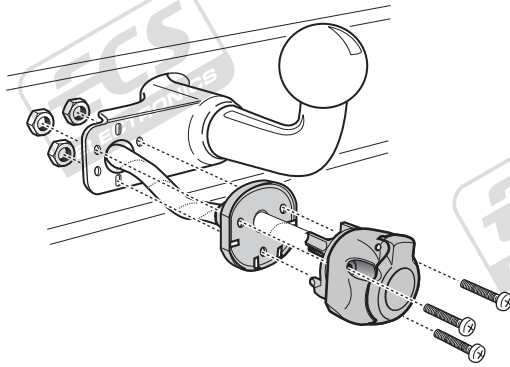
SOCKET CONNECTION



Pag. 18

B

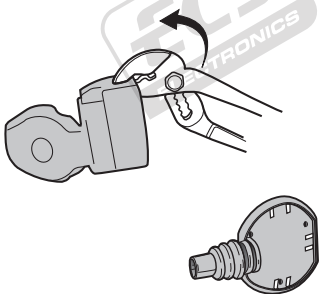
Option 1



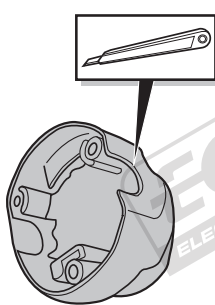
C

Option 2

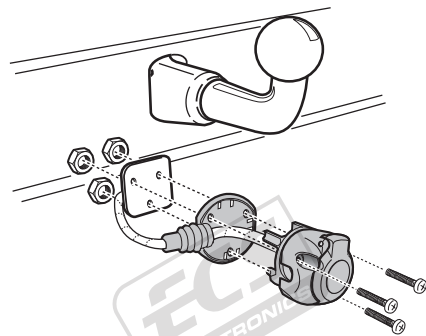
1



2



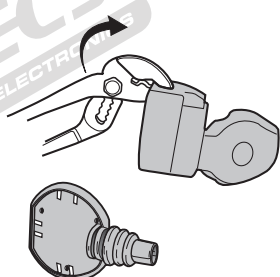
3



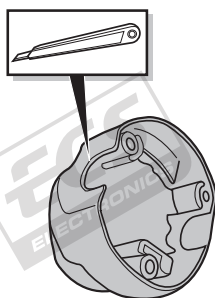
D

Option 3

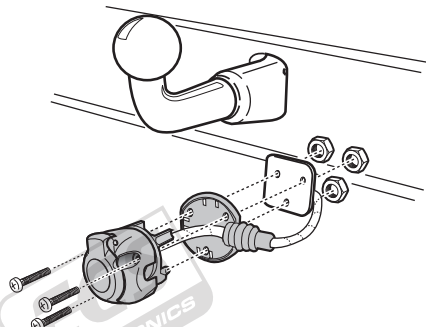
1



2

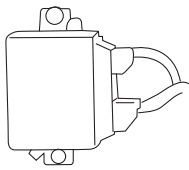


3

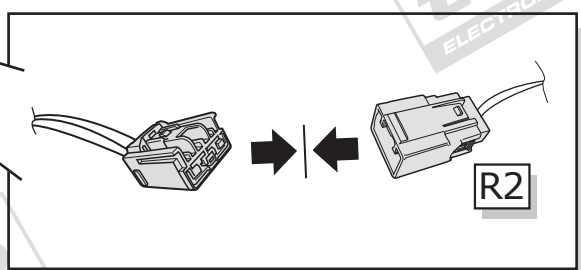
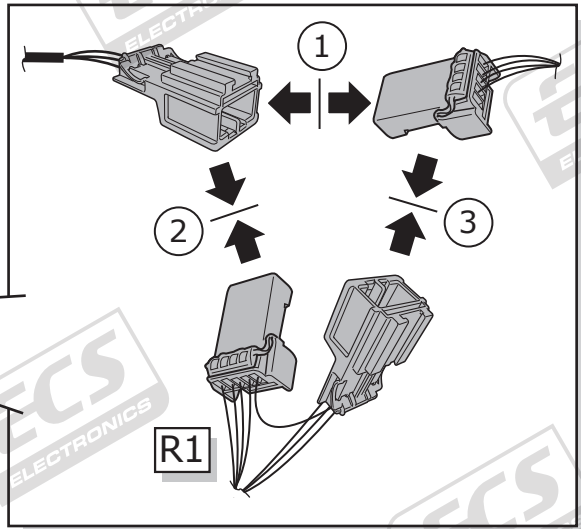
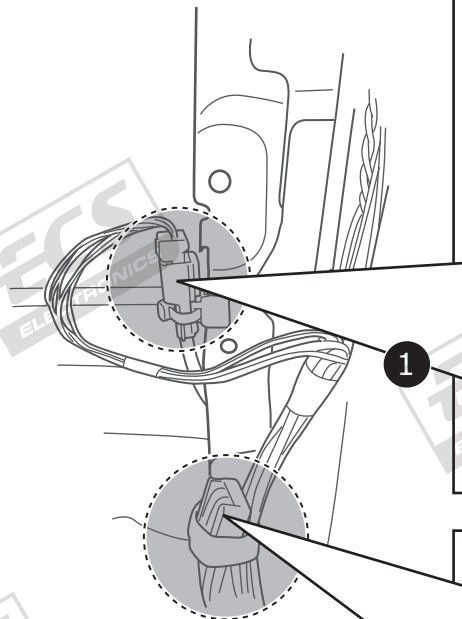
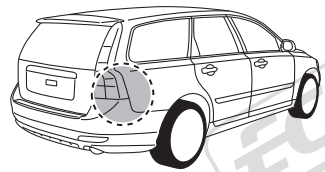
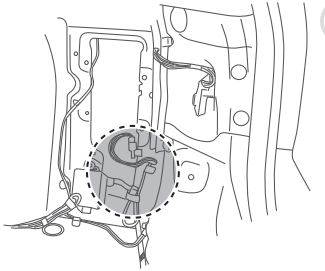


11

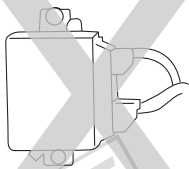
Option 1



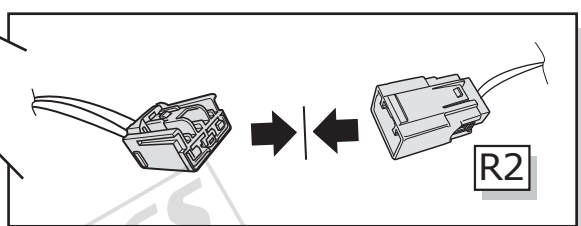
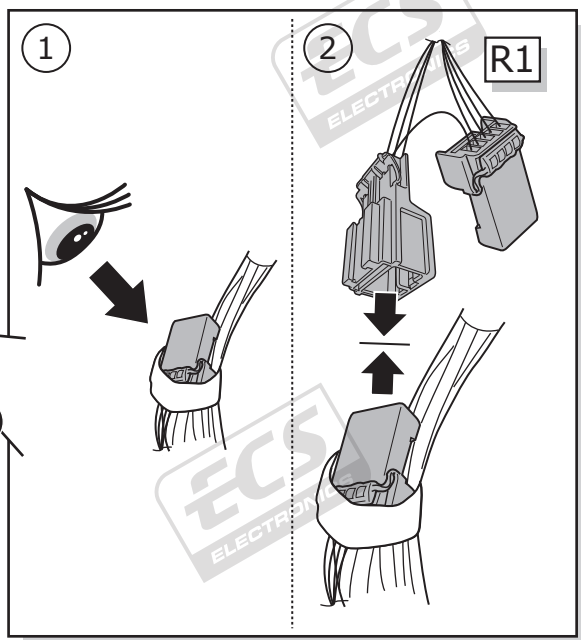
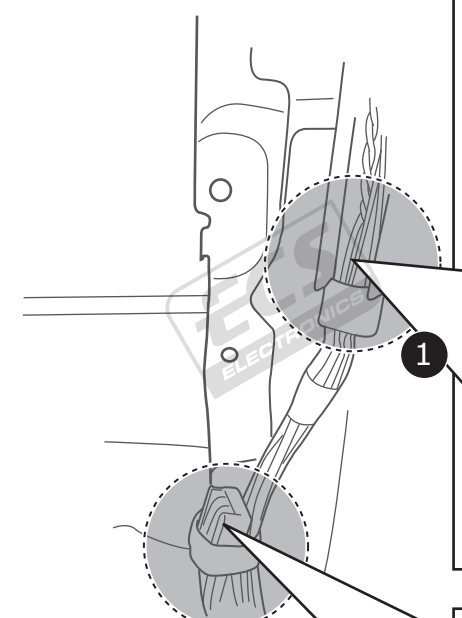
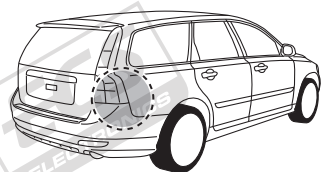
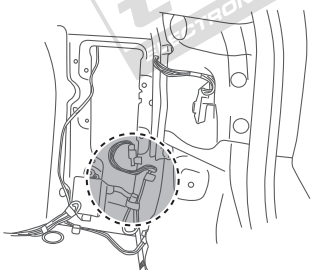
PDC Module



Option 2

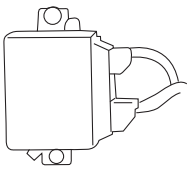


PDC Module

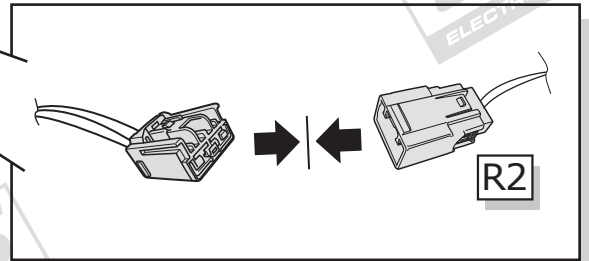
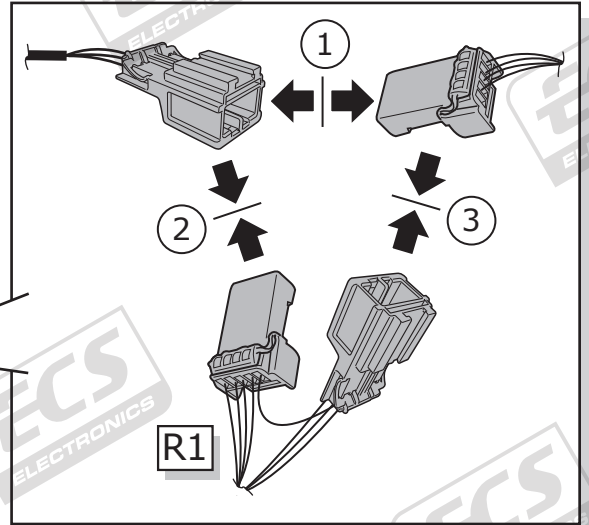
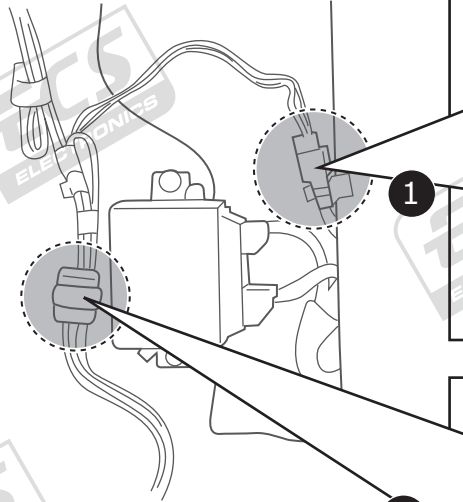
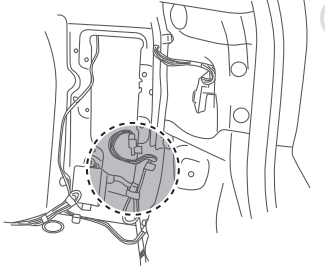


12

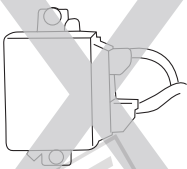
Option 1



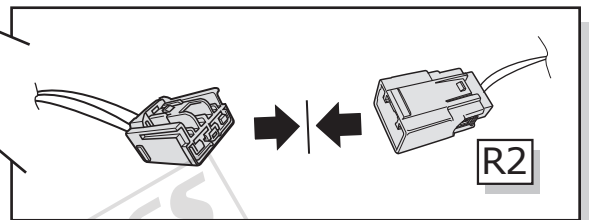
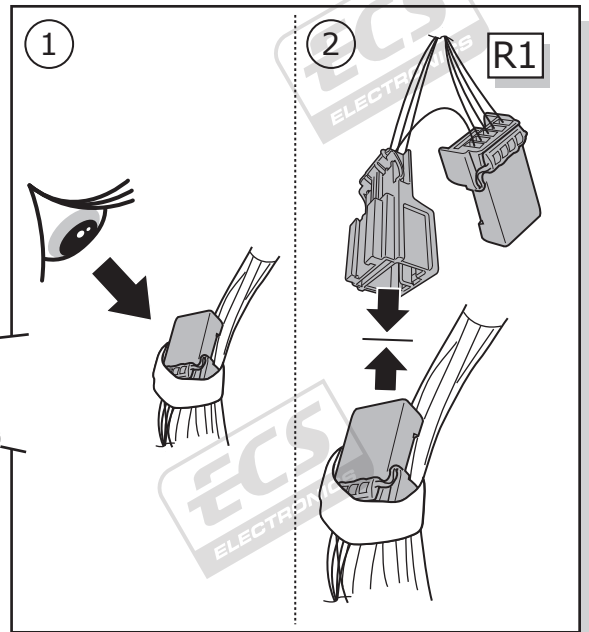
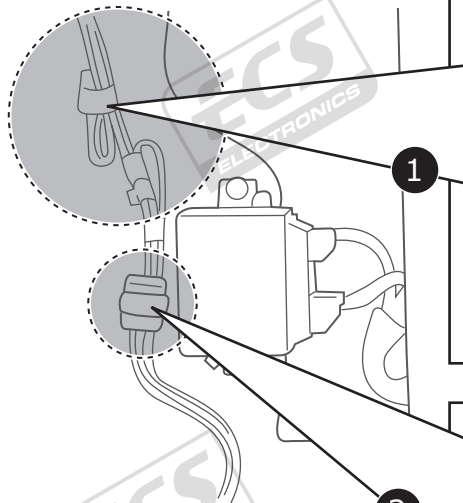
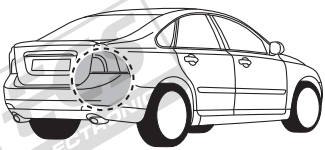
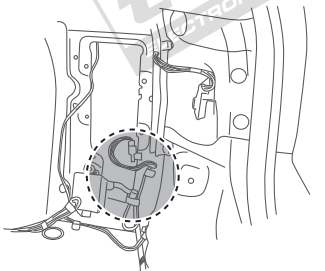
PDC Module



Option 2

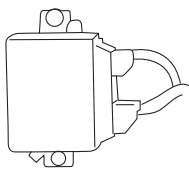


PDC Module

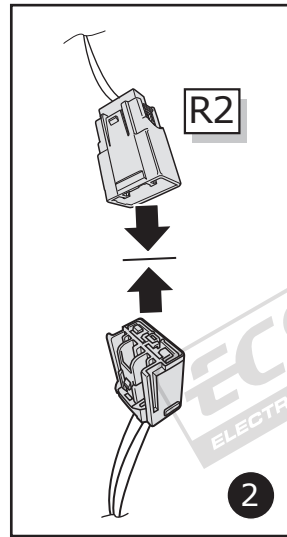
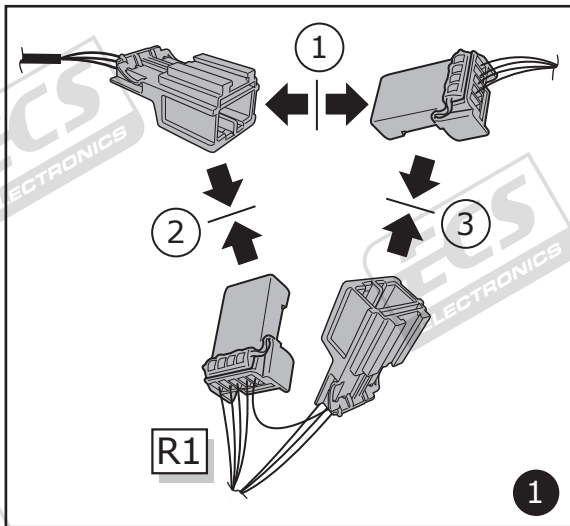
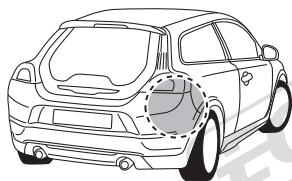
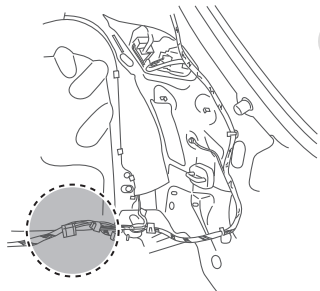


13

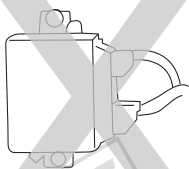
Option 1



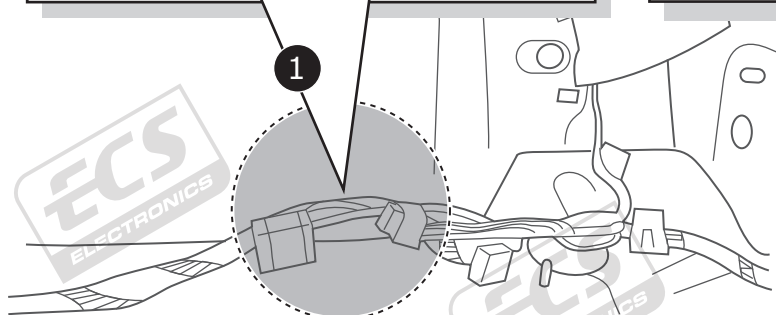
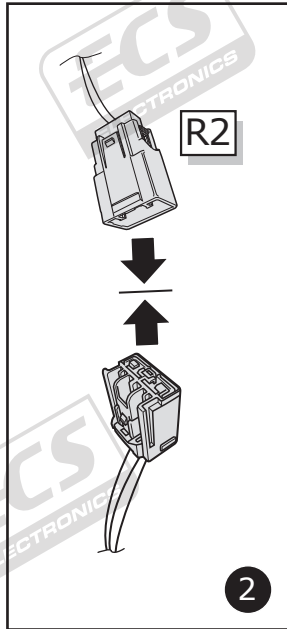
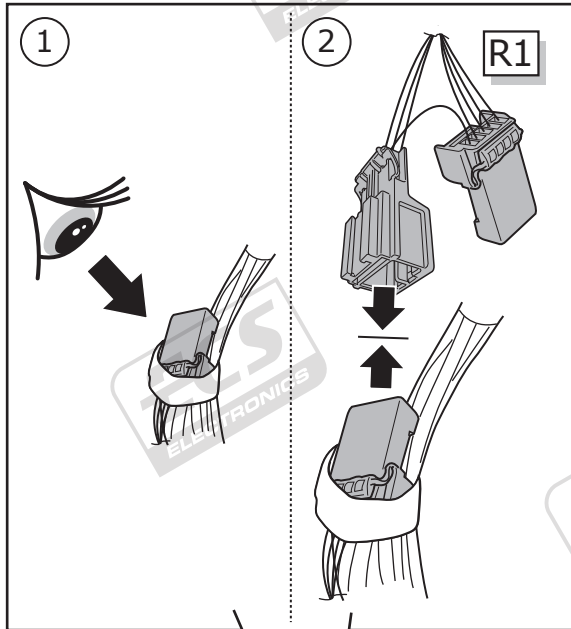
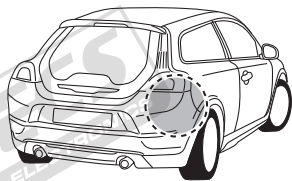
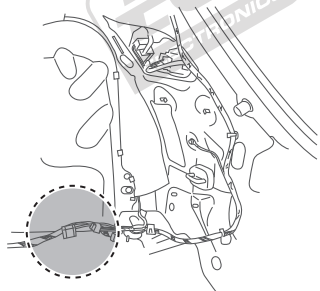
PDC Module



Option 2

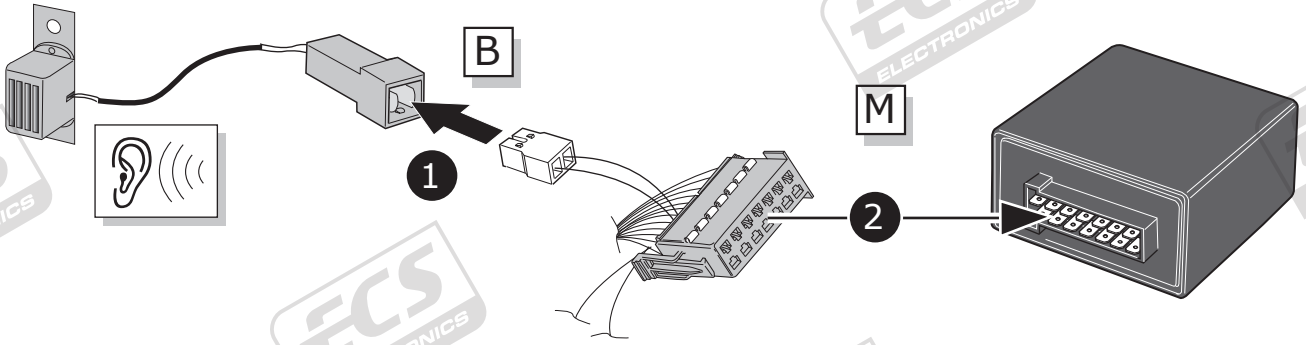


PDC Module

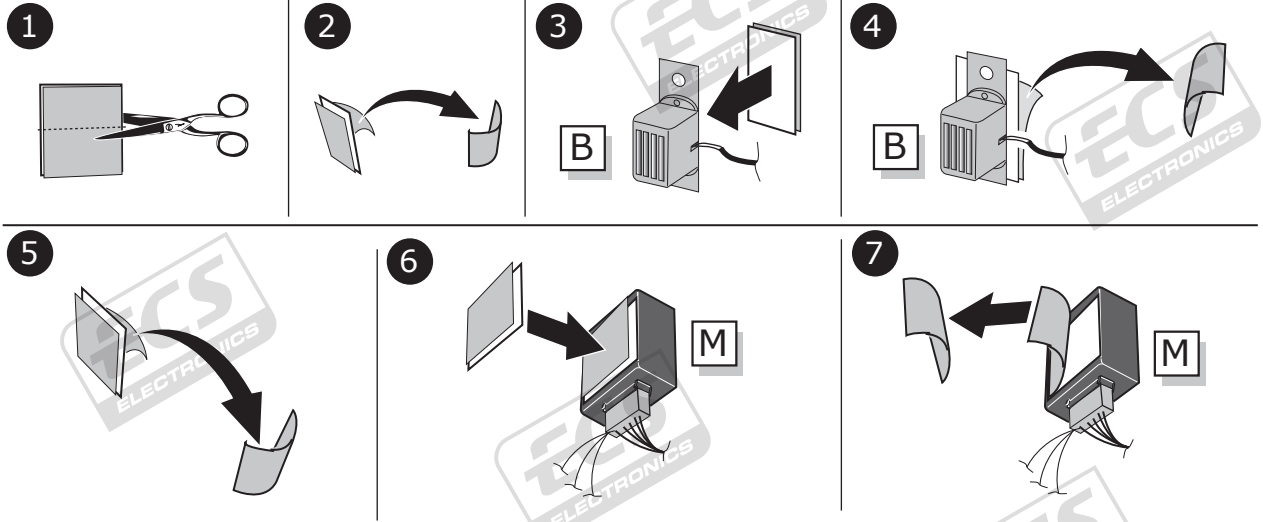


VOLVO V50 / VOLVO S40 / VOLVO C30

14

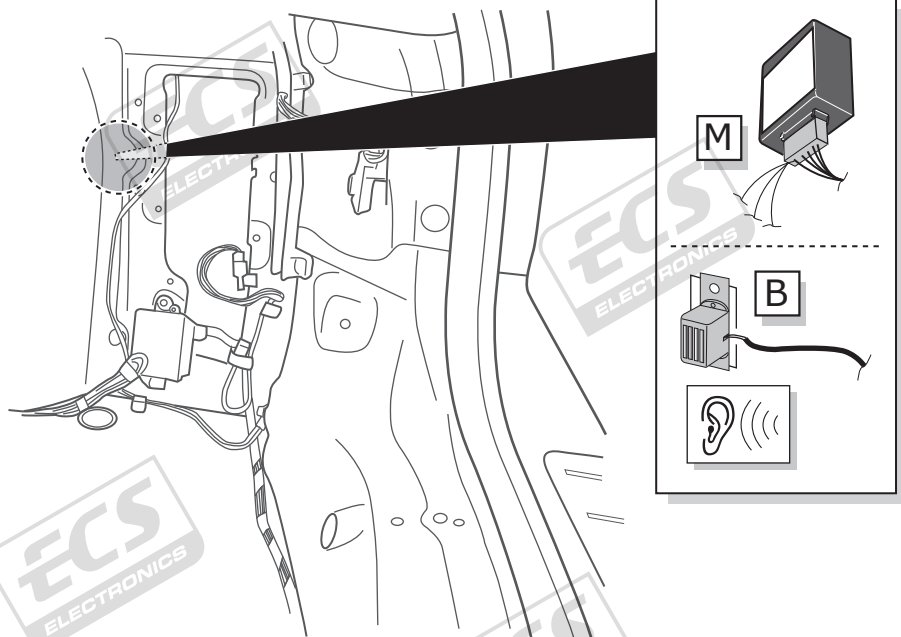
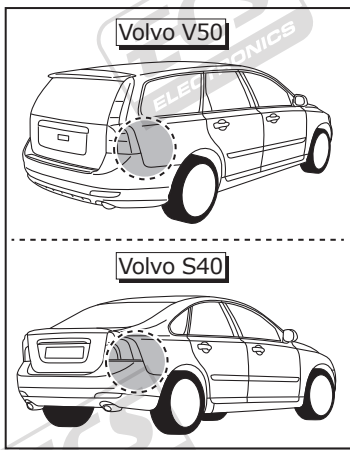


15



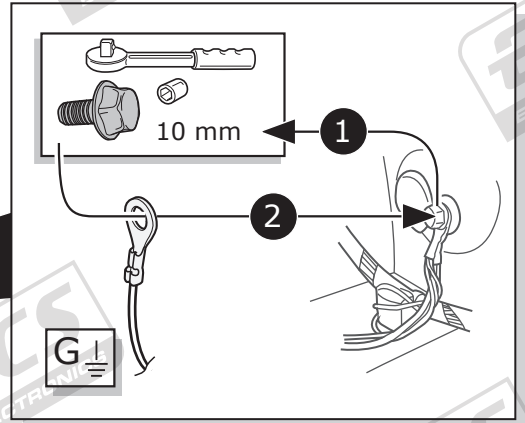
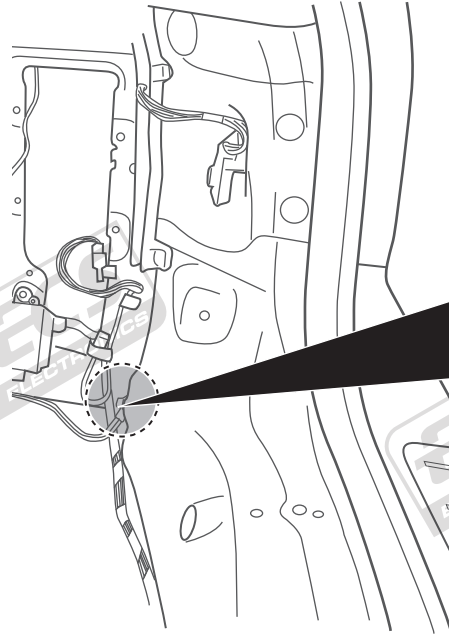
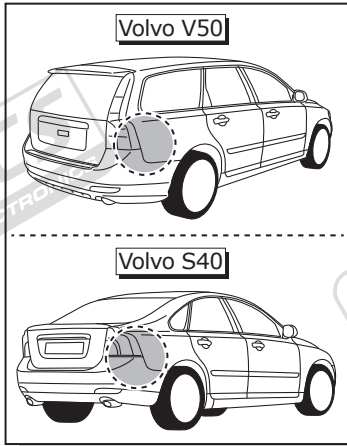
VOLVO V50 / VOLVO S40

16



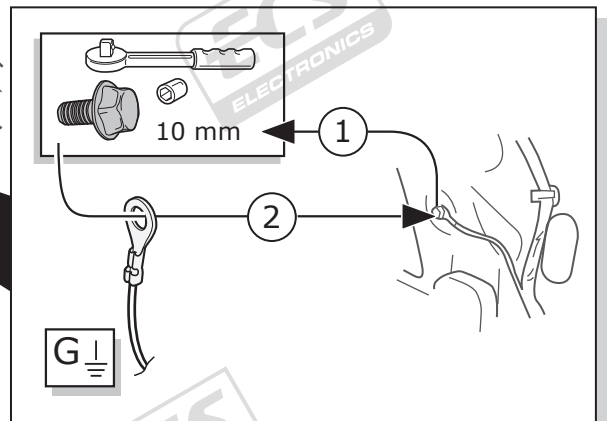
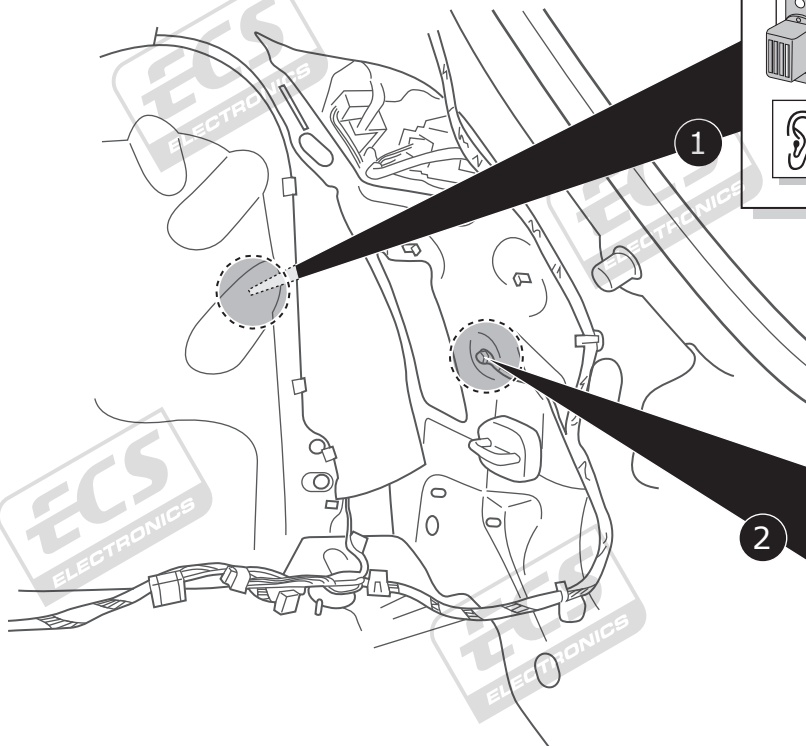
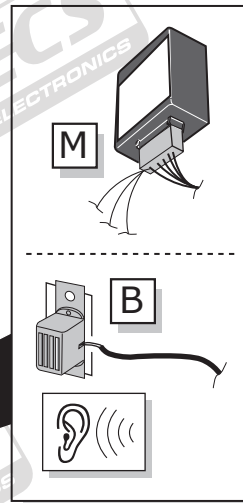
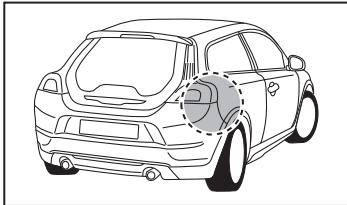
VOLVO V50 / VOLVO S40

17

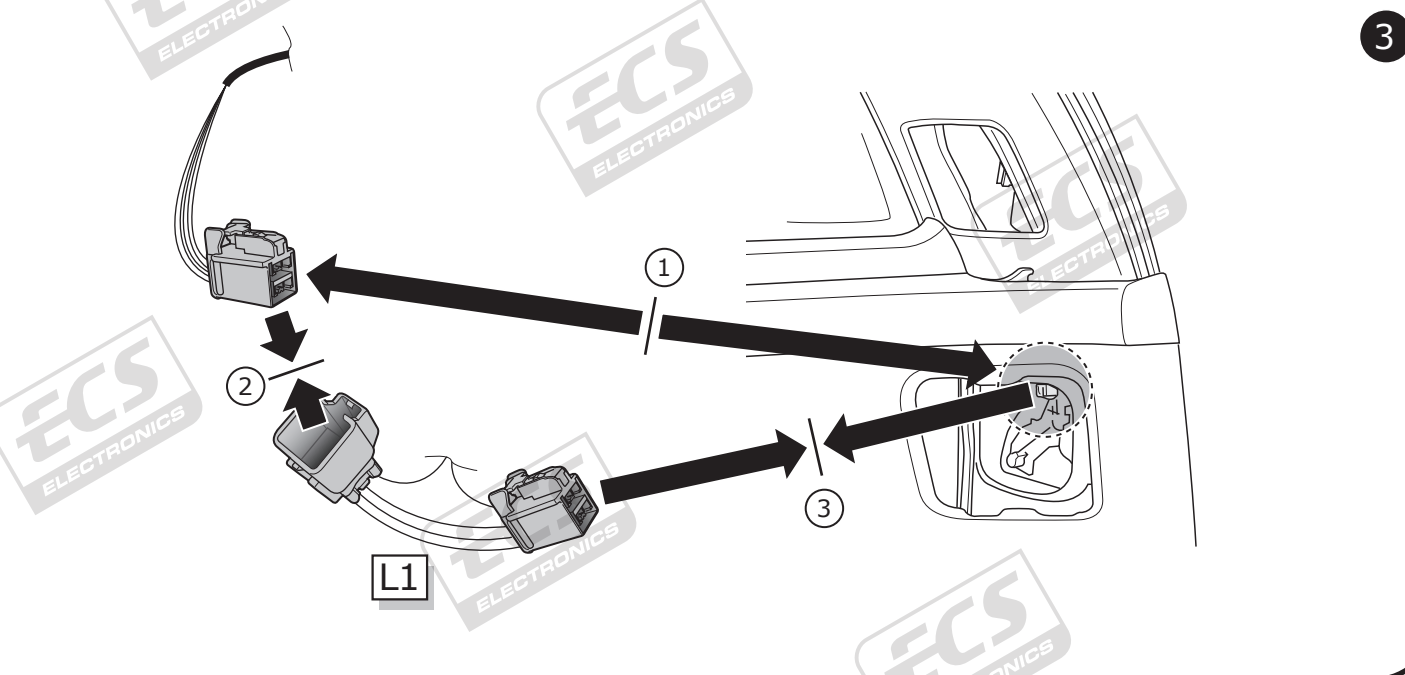
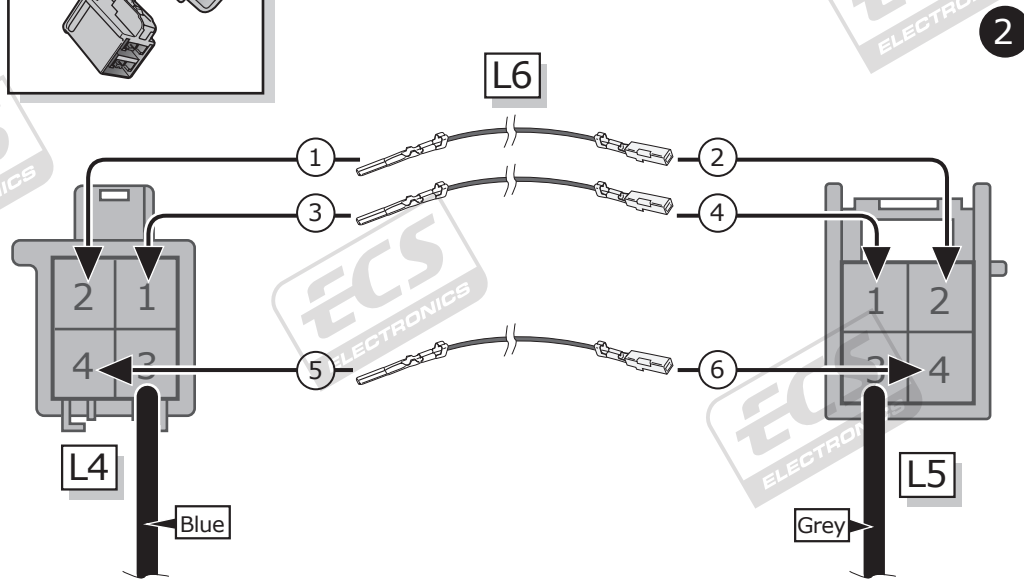
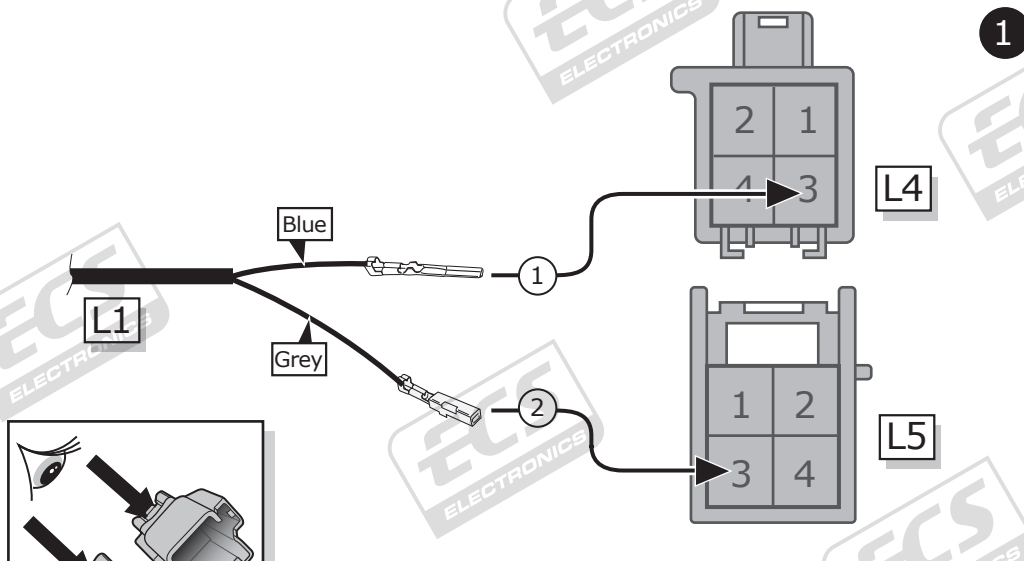
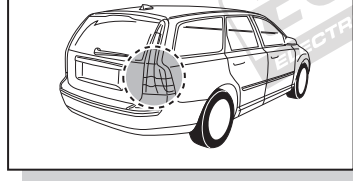
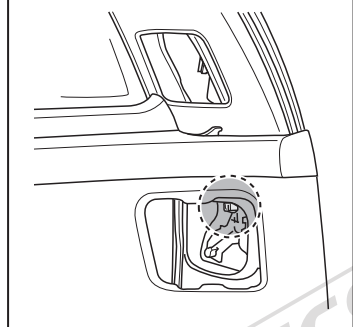
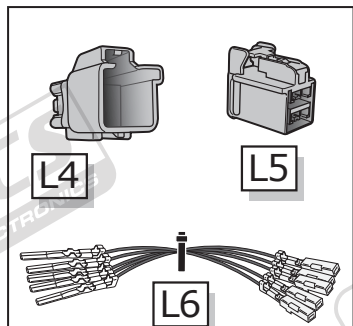


VOLVO C30

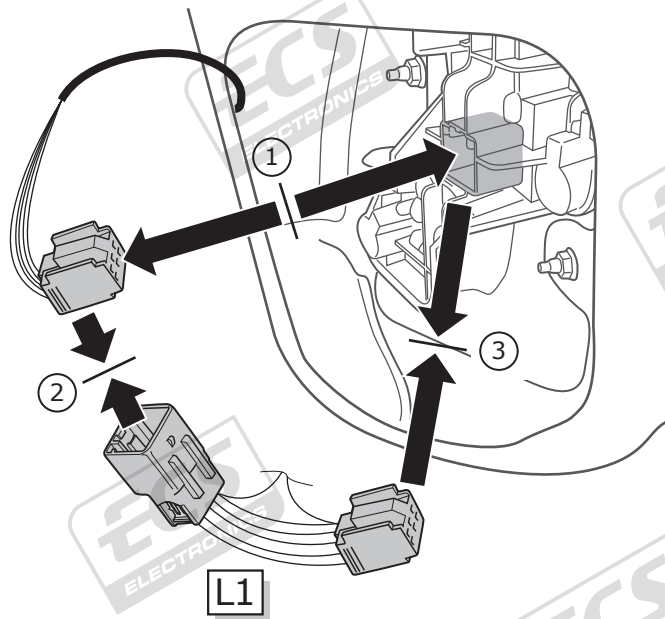
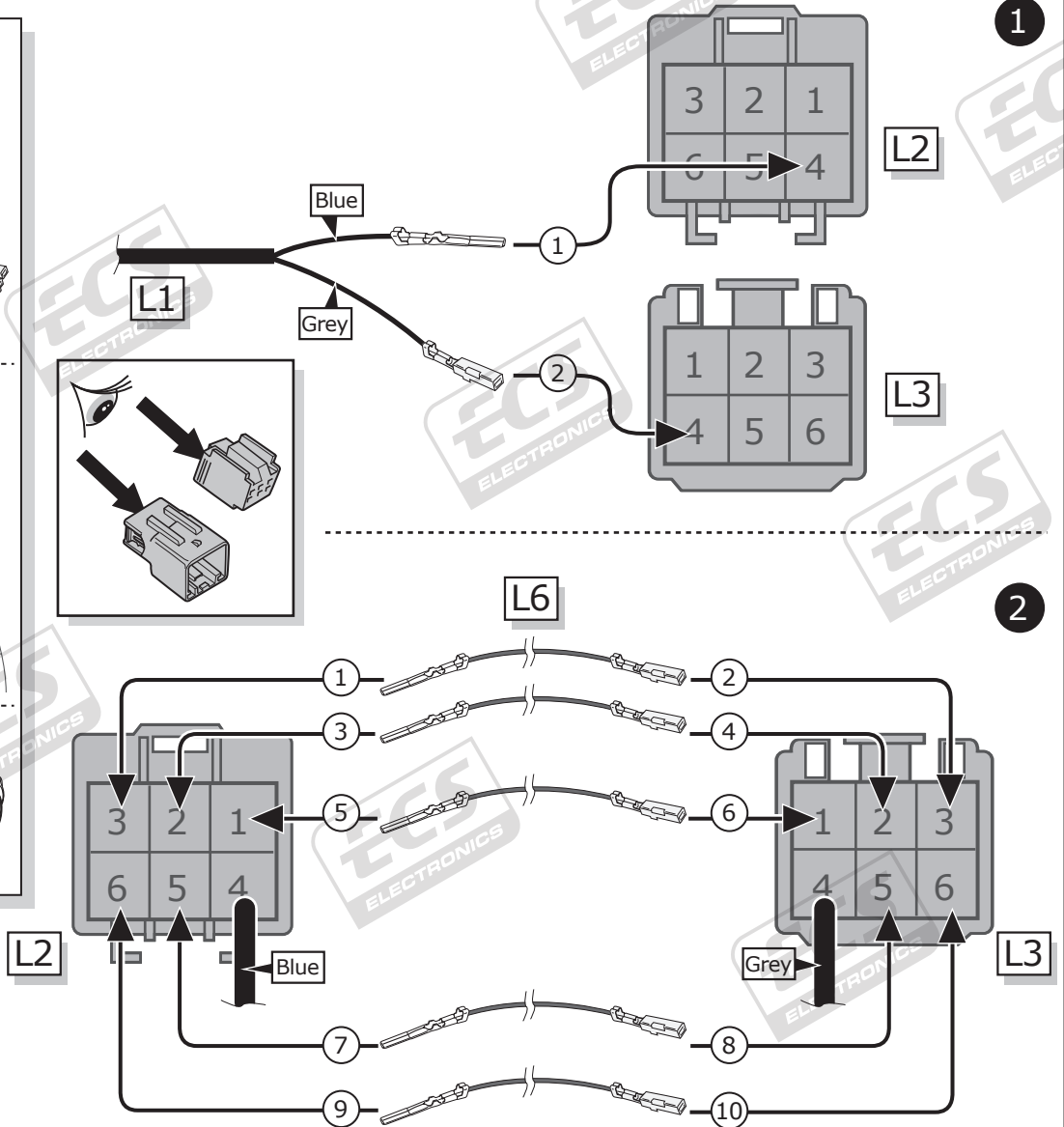
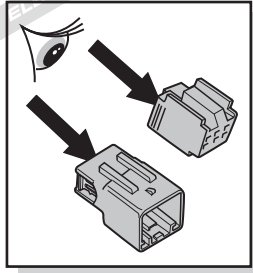
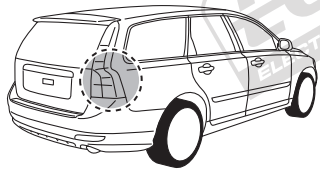
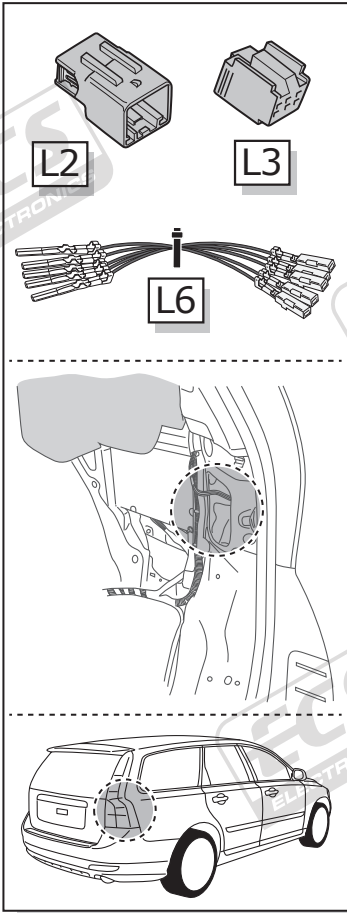
18



19



20

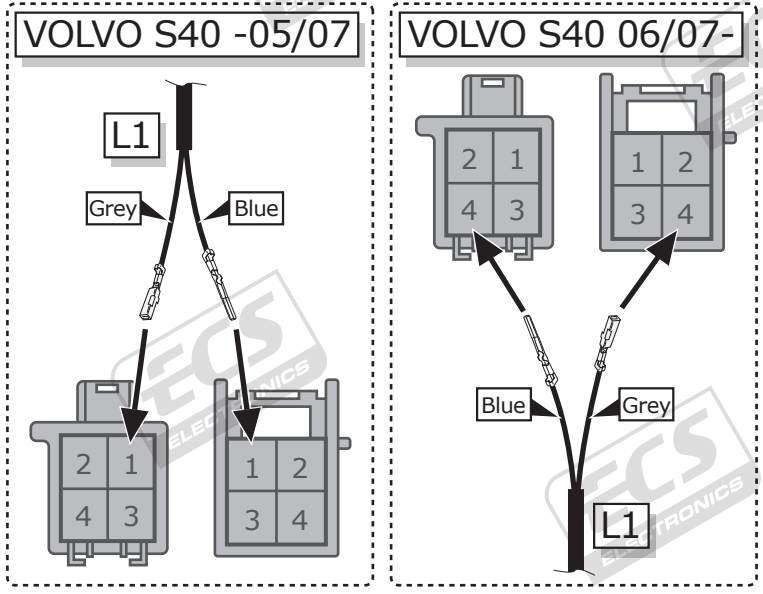
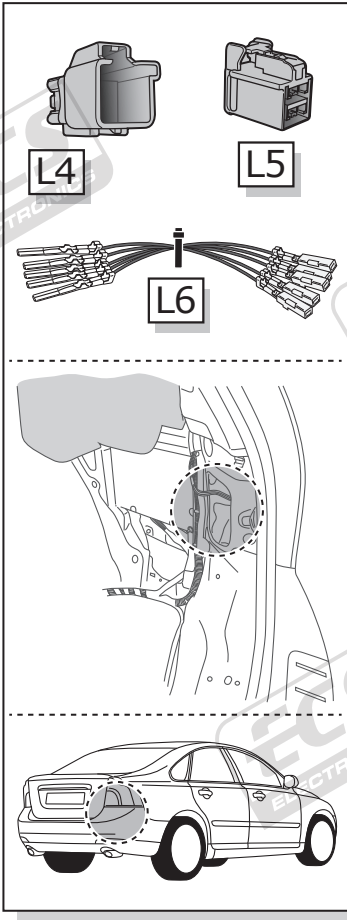


1

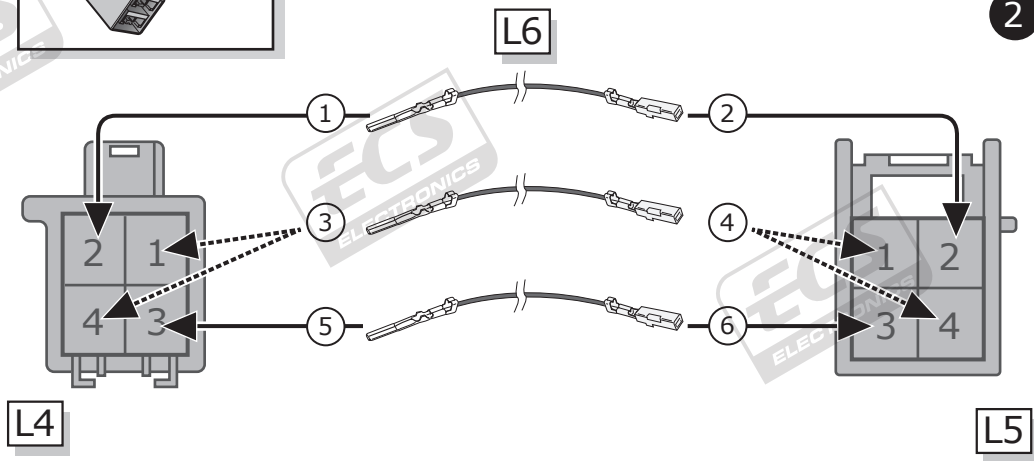
2

3

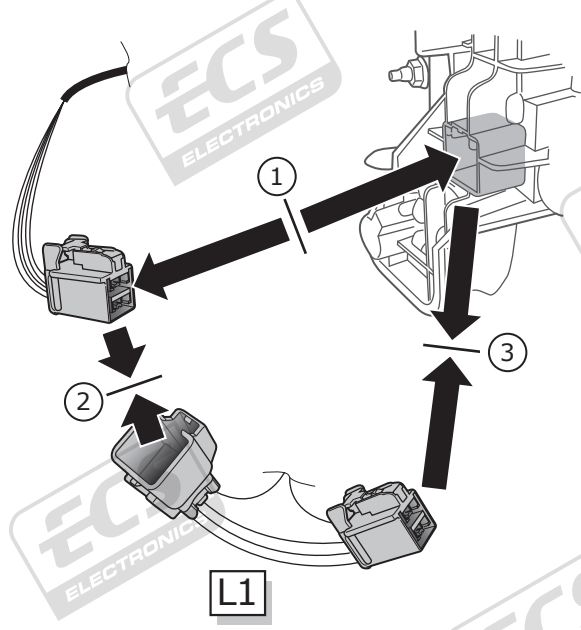
21



1

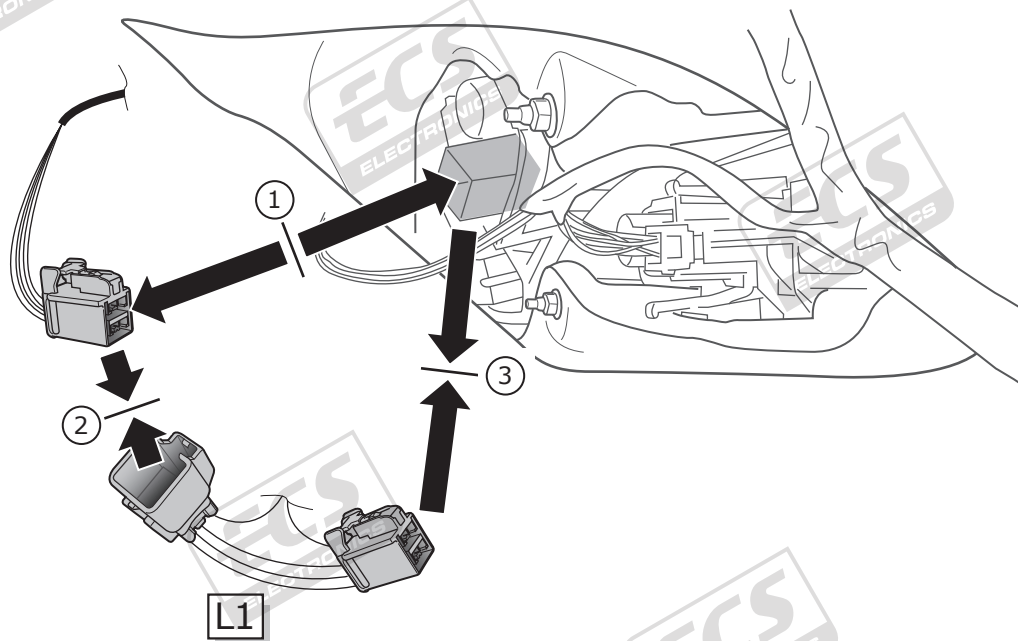
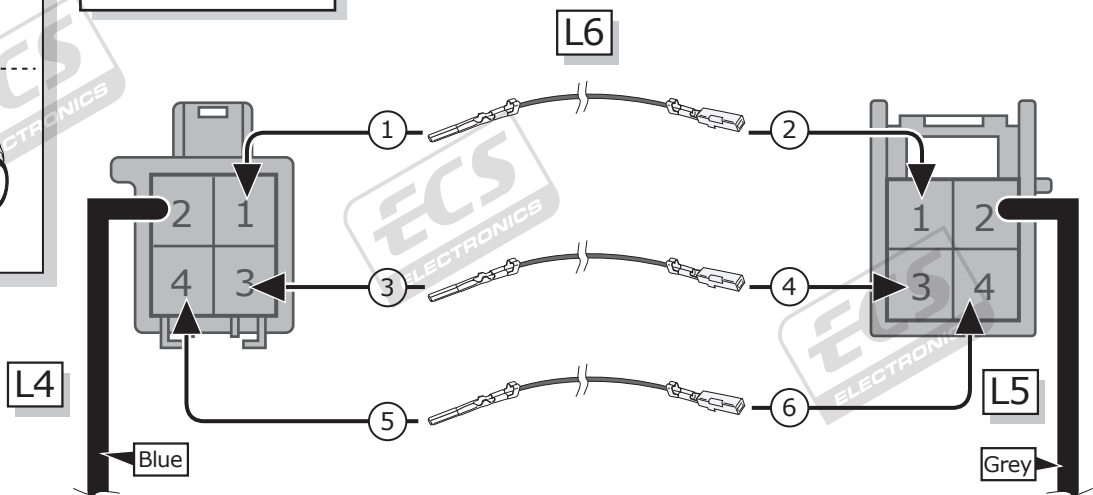
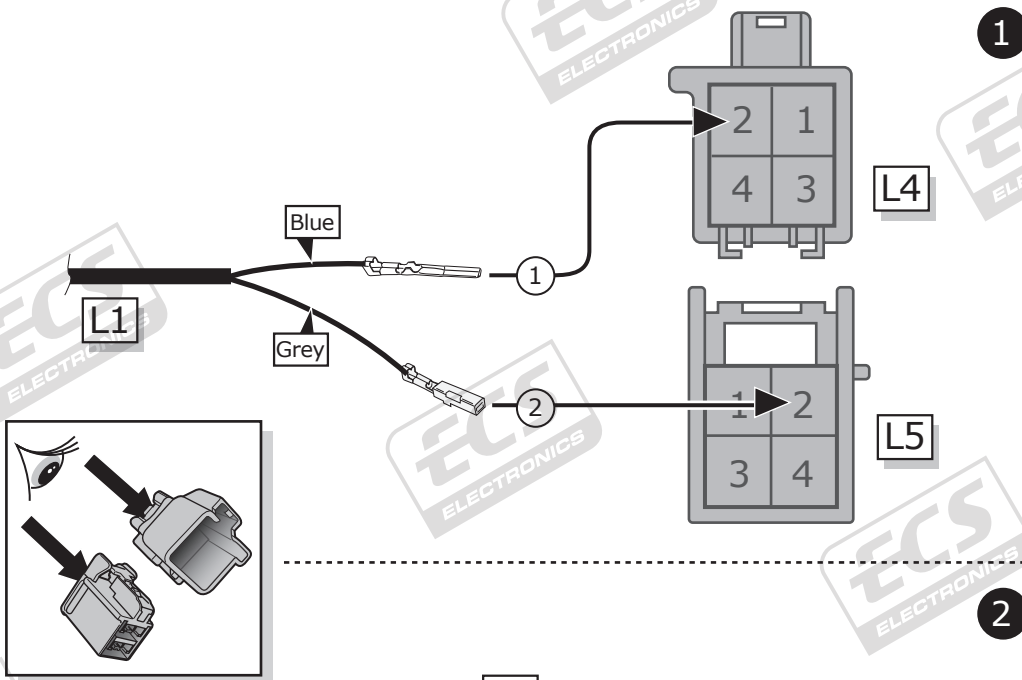
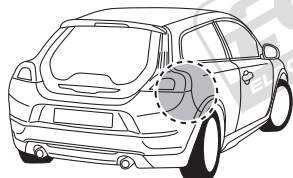
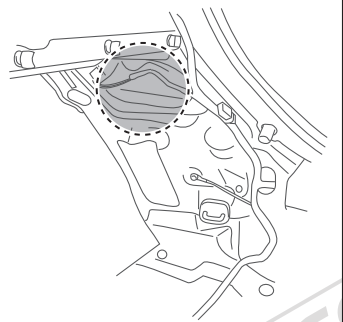
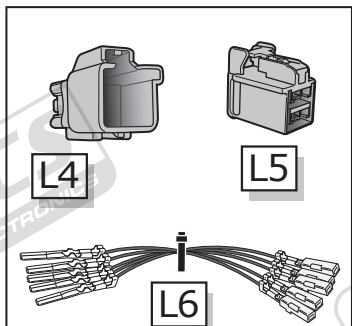


2



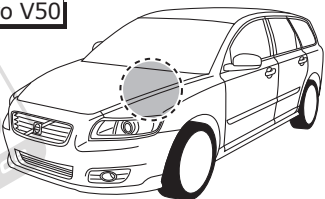
3

22

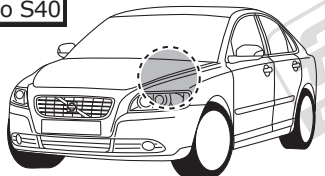


23

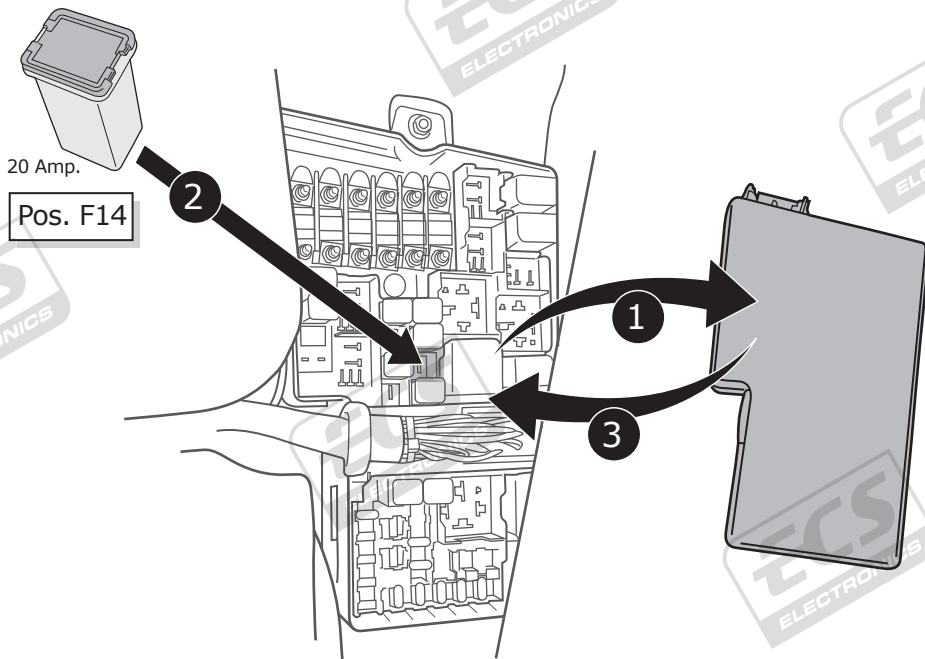
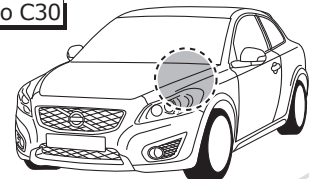
Volvo V50



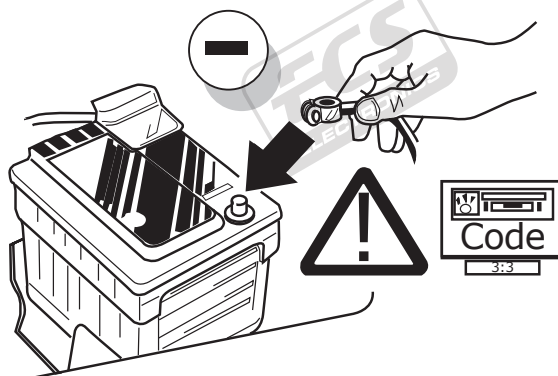
Volvo S40



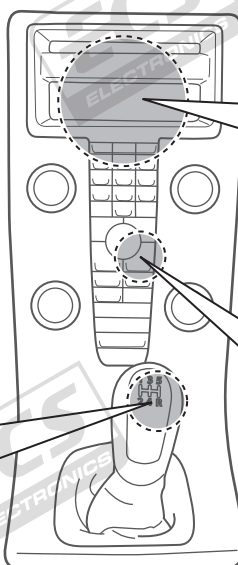
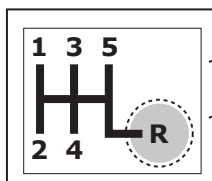
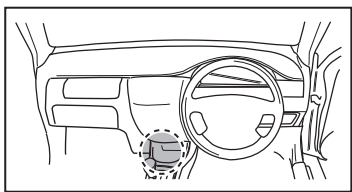
Volvo C30



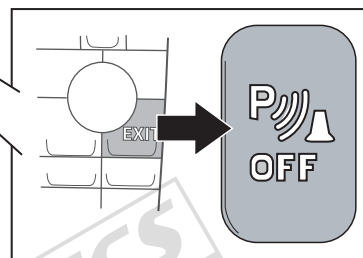
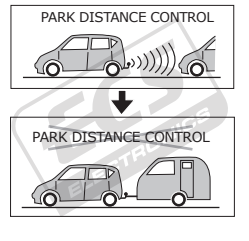
24



25



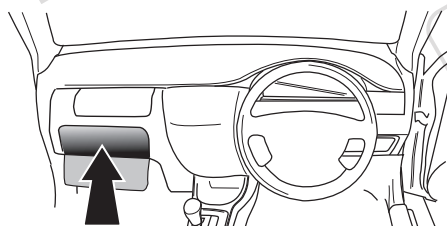
INFO



! TEST ALL THE CIRCUITS WITH A TEST DEVICE WITH THE CORRECT POWER LOAD FOR EACH FUNCTION. A TEST DEVICE WITH LED'S CANNOT BE USED FOR THIS PURPOSE.

INFO

REINSTALL TRIM.



User guide



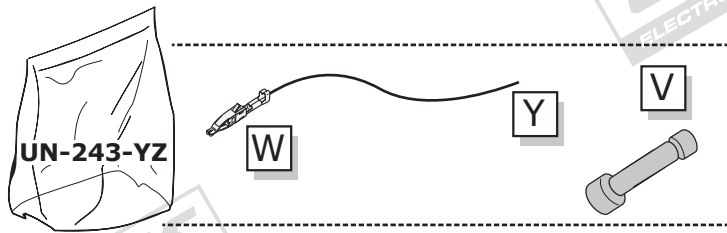
INFO

SOCKET CONNECTION

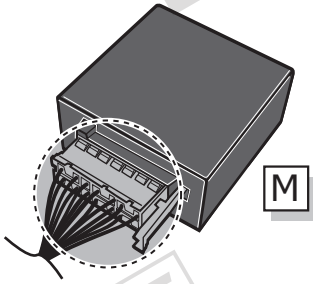
DIN/ISO 1724								
	1/L	2	3/31	4/R	5/58-R	6/54	7/58-L	8
Pmax	21W	21W		21W	42W	3x21W	42W	
Colour	Yellow	Blue	White	Green	Brown	Red	Black	Grey

UN-243-YZ Reverse lamp pre-wire extension

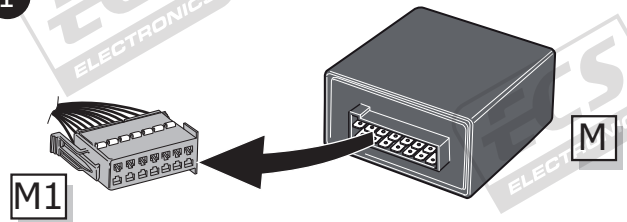
⚠ MAX = 21W



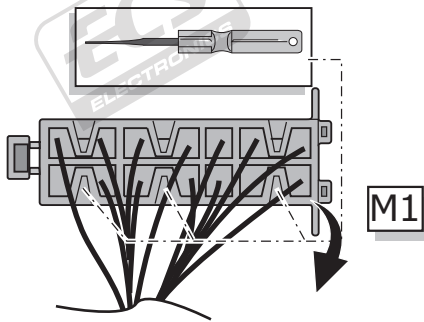
A



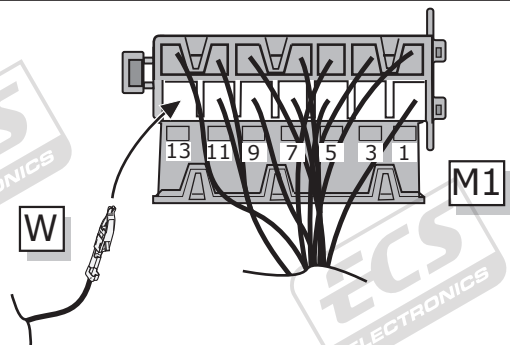
1



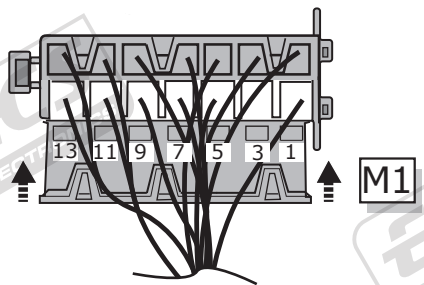
2



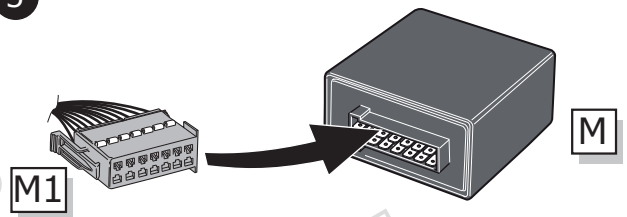
3



4



5



B

⚠ MAX = 21W

