



Tow-Trust Towbars

Important: Please read General Notes overleaf before fitting



Issue 5

TIZ4 ISUZU GRAFTER (Vehicle width wheel to wheel excluding bulge of tyre on rear axle 1485 - 1685)

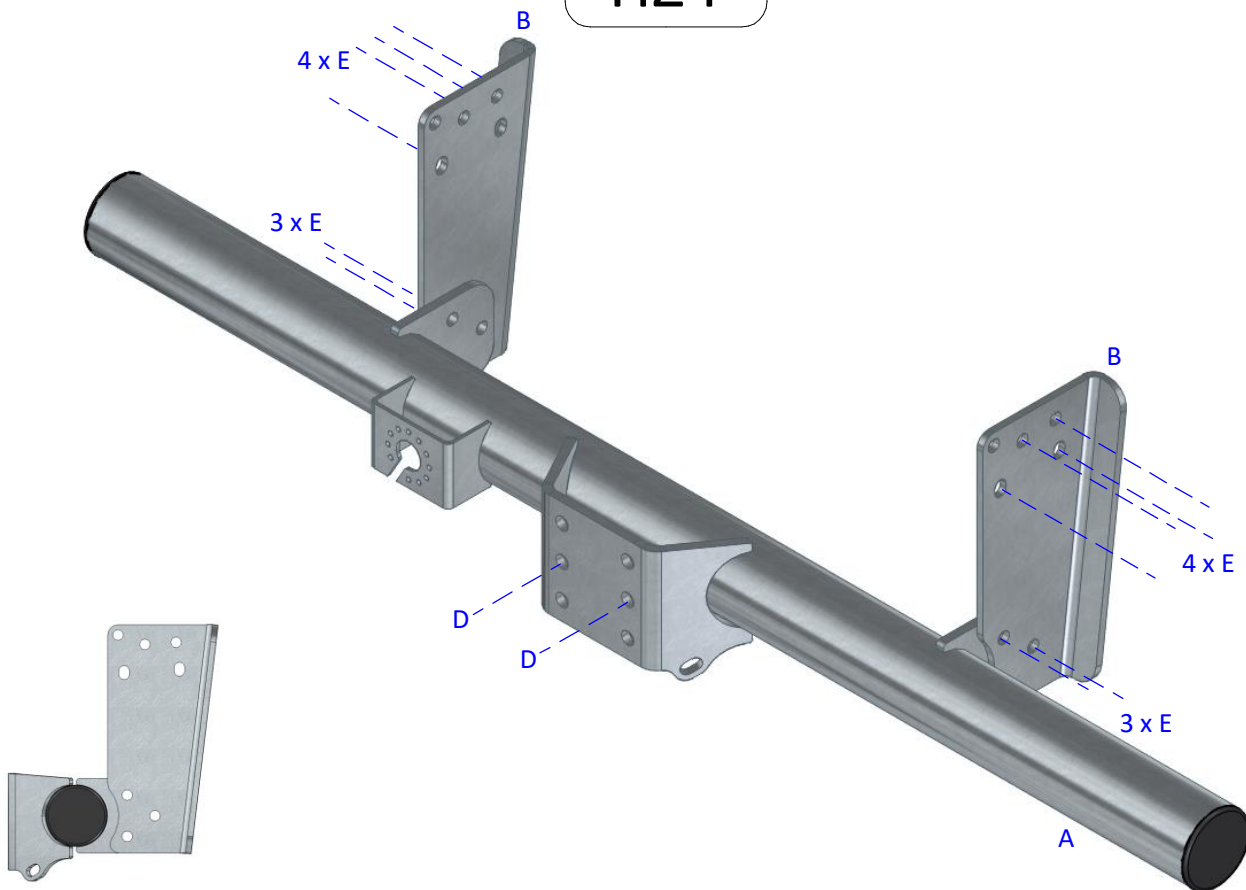
Item	Qty	Description	Item	Qty	Description
A	1	Crossmember	D	2	M16 x 50 Bolts & Nyloc Nuts
B	2	Handed Side Arms	E	14	M14 x 50 Flange Bolts & Flange Lock Nuts (176Nm)
C	2	6mm Spacer Plates	F	2	88.9mm O/D Black End Caps (RTi1164)

TOWBAR INSTALLATION:

1. Unplug the wiring loom from the rear lights and number plate.
2. Remove the rear light brackets.
3. Remove the aluminium rear beam. (This is NOT refitted with the Towbar assembly).
4. Using Items **E** fix Items **B** and the light brackets to the original points sandwiching the side arms between the chassis members and the light brackets. **NOTE:** some vehicles may require Item **C** as spacers between the chassis and side arms.
5. Using Item **E** fix Item **A** between each side arm.
6. Using Item **D** fix your desired ball bracket (Not supplied in this kit) to the Towbar face plate.
7. Fully tighten all fixings ensuring the Towbar and light board are rigid, square and secure.

TiZ4

SINGLE REAR WHEEL



Note:

1. Recommended Torque Setting for M12 Grade 10.9 -139 Nm. (For other Torque Settings see notes overleaf.)
2. Nose load limits and vehicle manufacturers trailer / caravan weight limits must be observed.