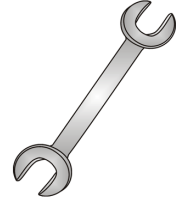




Tow-Trust Towbars

Important: Please read General Notes overleaf before fitting

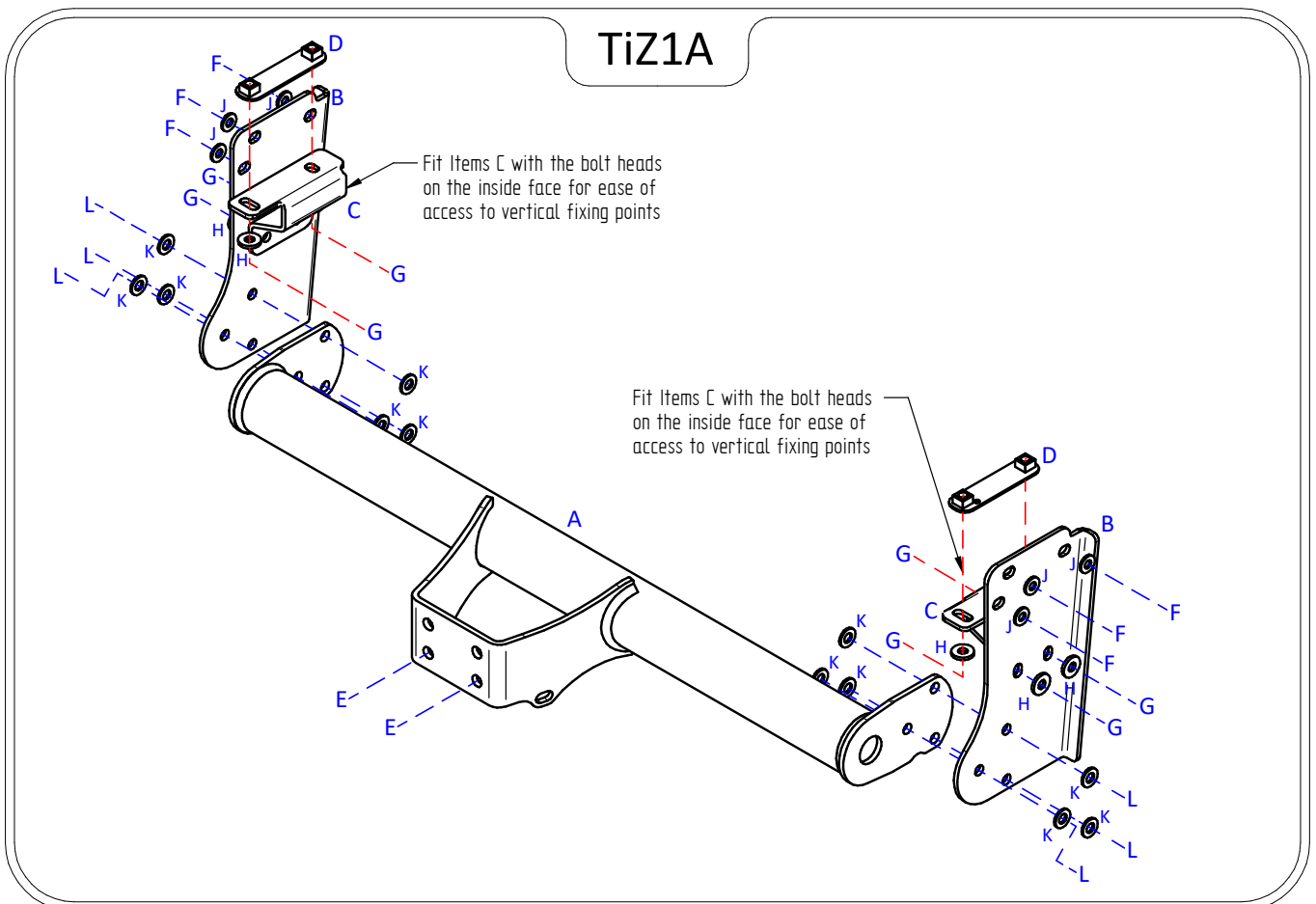


Issue 1

TiZ1A ISUZU D-MAX WITH & WITHOUT BUMPER 2012>

Item	Qty	Description	Item	Qty	Description
A	1	Crossmember	E	2	M16 x 50 Bolt & Nyloc Nuts
B	2	Handed Side Arms	F	6	M12 x 35 x 1.25 Bolts (10.9) & 6 S/P Washers
C	2	Handed Brackets	G	8	M12 x 40 Bolts (10.9) , 4 Nyloc Nuts & 4 S/P Washers
D	2	Clamp Plates	H	8	12 x 30 Flat Washers
			J	6	12 x 25 Flat Washers
			K	12	14 x 27 Flat Washers
			L	6	M14 x 40 Bolts & Nyloc Nuts

1. Locate the three fixings attaching the bumper arms to the chassis members.
2. One side at a time remove the three fixings from the chassis member and using Items F and Items J bolt Items B to them sandwiching the bumper arm between the chassis member and Item B.
3. Insert Item D into each chassis member and bolt Items C to the lower face using Items G and Items H.
4. Using Item G with Item H bolt Items C to items B.
5. Using Items L with Items K bolt Item A between the side arms (Items B).
6. Using Item E bolt your desired ball bracket and wiring plate (not supplied in this kit) to Item A.
7. Fully tighten all nuts and bolts ensuring Towbar is rigid square and secure.



Note:

1. Torque Settings see notes overleaf.
2. Nose load limits and vehicle manufacturers trailer / caravan weight limits must be observed.