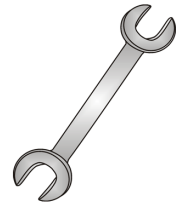




Tow-Trust Towbars

Important: Please read General Notes overleaf before fitting



Issue 13

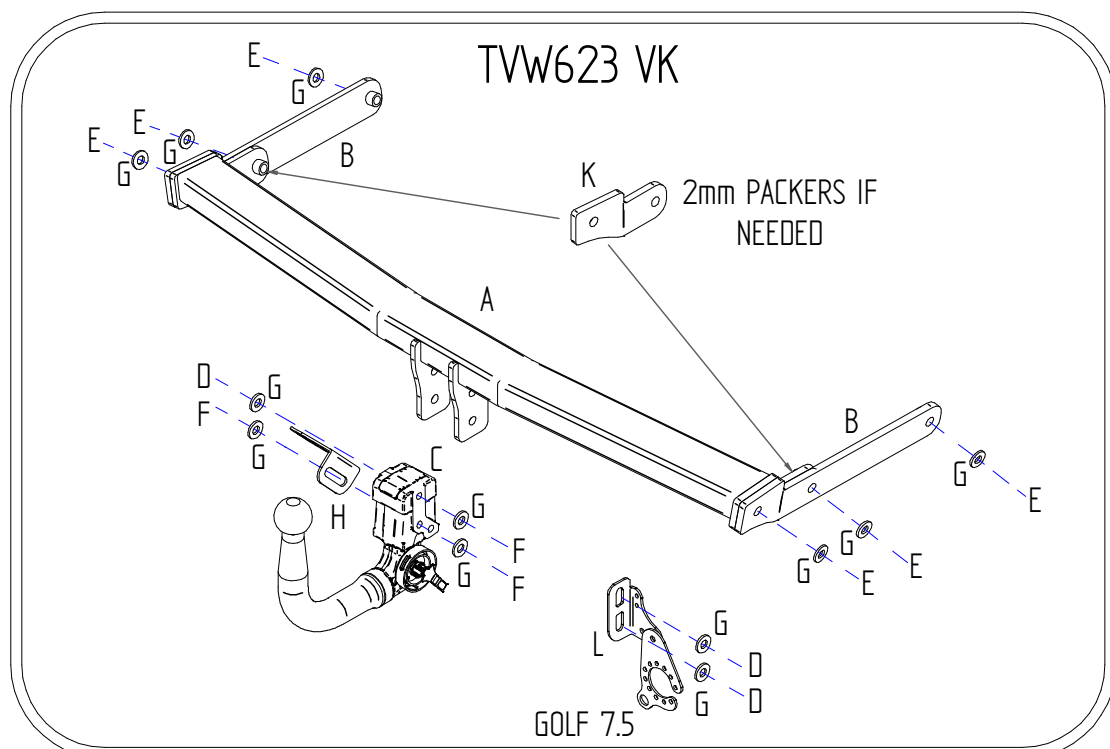
**TVW 623VK Volkswagen Golf 5 Hatch 2004> Golf 6 Hatch 2009>
Volkswagen Golf Plus 2005> Golf 7 Hatch 2012> Audi A3 2012> Golf SV 2014>
Seat Leon 2013>**

Item	Qty	Description	Item	Qty	Description
A	1	Crossmember	D	2	M12 x 25 Bolts & S/P Washers
B	2	Side Arms	E	6	M12 x 50 Bolts & S/P Washers
C	1	ACS Detachable Neck 6212	F	3	M12 x 22 Bolts & S/P Washers
			G	10	12 x 25 Flat Washers
			H	1	Socket Plate 1 (Part No. TVW623VK-6)
			K	4	Handed 2mm End Plate Lasers
			L	1	Flip Up Socket Plate (Part No. TTFP/RH)

1. Remove the rear light clusters.
2. Remove rear bumper. Fixings along the lower edge, under each light cluster and around each wheel arch.
3. Remove the bumper crossbeam (this is not refitted). Replace existing bolts.
4. Locate Item **B** inside each chassis and using Item **E** with Item **G** loosely bolt to forward existing holes (these are covered with tape).
5. Using Item **E** with Item **G** loosely bolt Item **A** to Item **B** and through existing rearmost holes. Fully tighten all bolts.
6. Using Item **F** with Item **G** and Item **D** with Item **G** bolt Item **C** and Item **H** to Item **A** and fully tighten.
7. GOLF 5/6/7: Remove the lower BLACK diffuser from rear bumper and replace with new original equipment Diffuser and Tow-Flap (ordered separately from VAG GROUP Dealer).
8. GOLF 7.5: No lower diffuser is required, Std. bumper with Flat edge and has an original cut.
9. AUDI / SEAT: Cut rear bumper as shown.
10. Refit bumper and light clusters.

Important Information: This Towbar is for use with VAG GROUP OEM bumper diffuser with cut out and tow-flap panel.

Please contact Volkswagen dealer with vehicle description and vehicle identification number (VIN) to source the correct parts



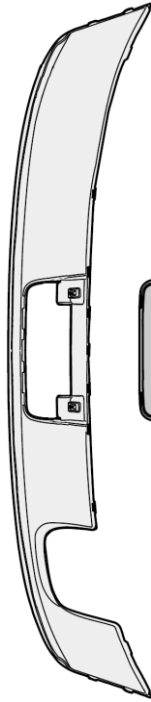
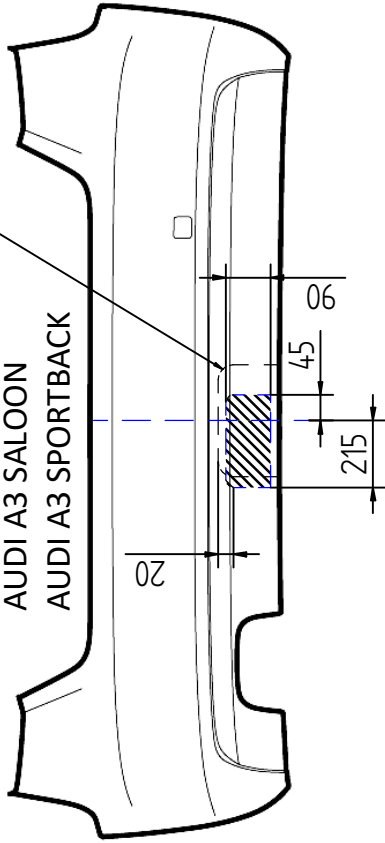
Notes:

1. Recommended Torque Setting for M12 Grade 10.9 -139 Nm. (For other Torque Settings see notes overleaf.)
2. Nose load limits and vehicle manufacturer's trailer / caravan weight limits must be observed.

TVW623VK

PRE MARKED AREA
INSIDE BUMPER

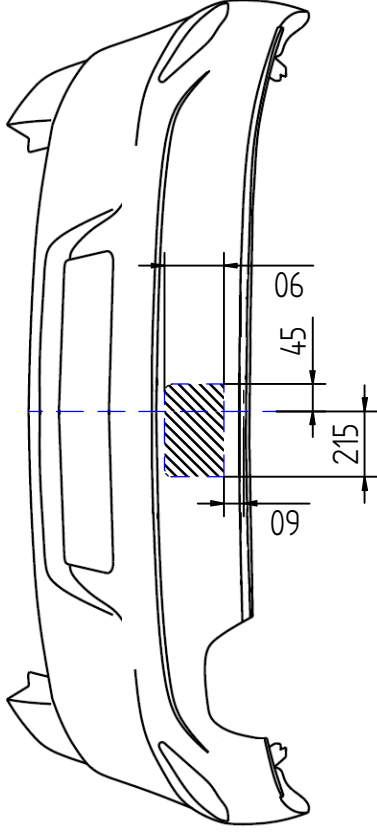
AUDI A3 HATCH
AUDI A3 SALOON
AUDI A3 SPORTBACK



Or Fit Lower Towing
Diffuser With Tow Flap

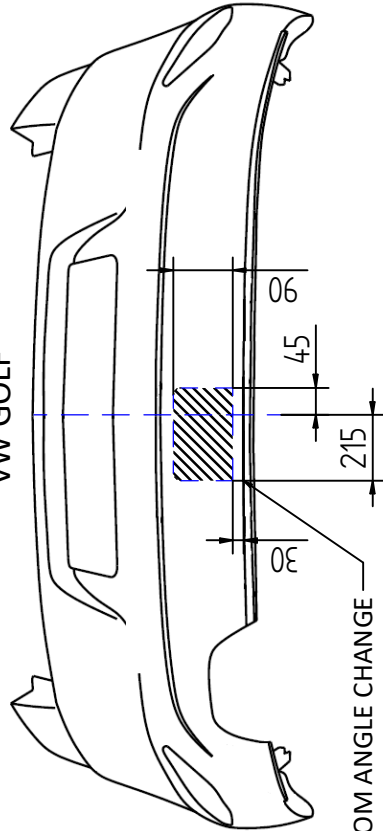


SEAT LEON SC
SEAT LEON ST



Or Cut Pre Marked Area
Inside Bumper & Fit Cover

SEAT LEON
VW GOLF



Or Cut Pre Marked Area
Inside Bumper & Fit Cover