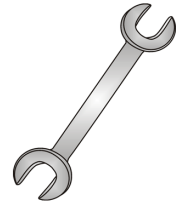




Tow-Trust Towbars

Important: Please read General Notes overleaf before fitting

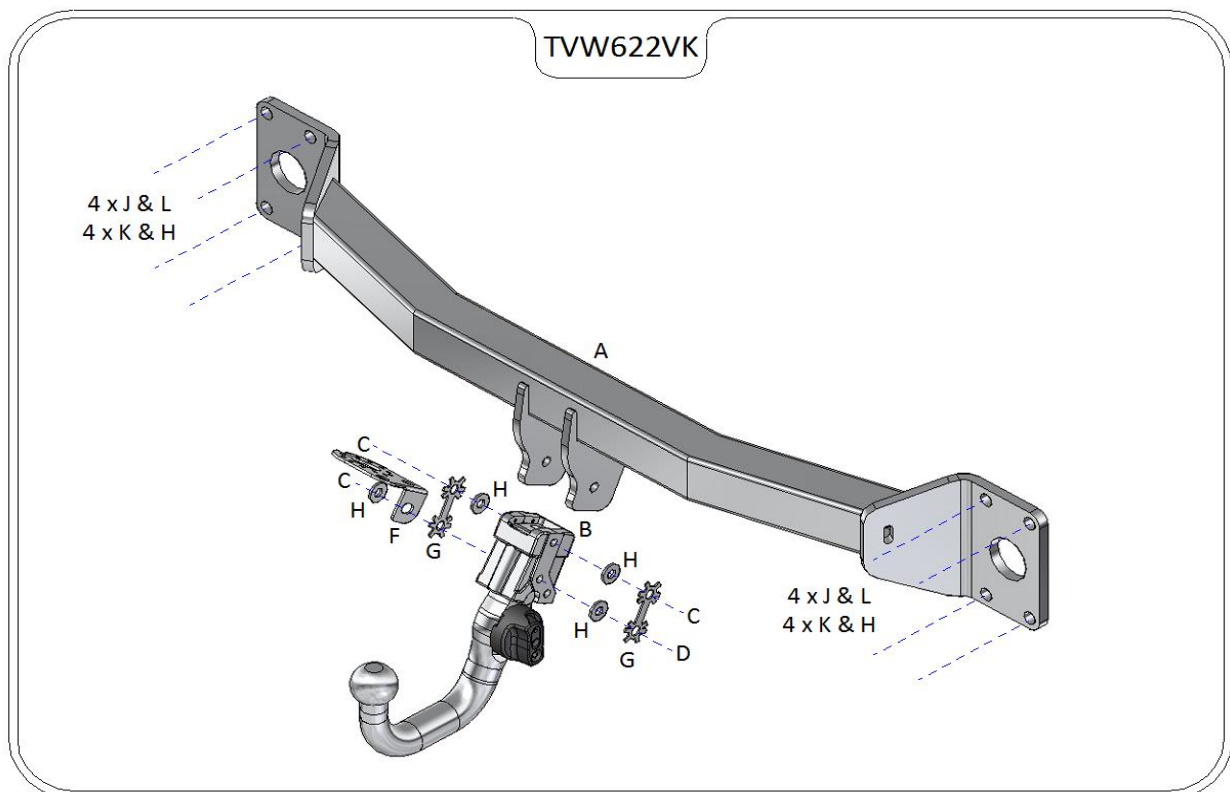


Issue 8

TVW622VK VOLKSWAGEN TOUAREG 2003> AUDI Q7 2006> PORSCHE CAYENNE 2002>

Item	Qty	Description	Item	Qty	Description
A	1	Crossmember	C	3	M12 x 25 Bolts Grade 12.9 & S/P Washers
B	1	Detachable housing	D	1	M12 x 25 Bolt Grade 12.9 & S/P Washer
			F	1	Socket Plate
			G	2	ACS Lock Washers
			H	12	12 x 25 Flat Washers
			J	8	M14 x 40 x 1.5 Bolts & S/P Washers
			K	8	M12 x 40 x 1.5 Bolts & S/P Washers
			L	8	14 x 27 Flat Washers

1. Remove rear bumper. Four fixings along the lower edge, four fixings in each wheel arch and two fixings under each light cluster.
NOTE: Light clusters are not easily removed, to release, carefully pull light cluster rearwards. It is not recommended to use any form of tools to lever the light clusters out as they crack very easily. **(These are only a guide due to bumper variations between models).**
 2. Remove the four original fixings securing the crash beam. (Hand beam and fixings back to the customer)
 3. Using Item J with Item L or Item K with Item H bolt Item A to rear panel.
 4. Using Items C with Items G & H and Item D with Item G & H bolt Item F and Item B to Item A.
 5. Fully tighten all bolts and ensure the Towbar is rigid and secure, **please ensure ACS Lock Washers are fitted correctly and the locking taps are shaped around bolt head.**
 6. Cut a section from the lower edge of the bumper 85mm wide x 125mm deep. If required trim to suit, some vehicles may require a 190mm deep cut.
 7. Refit bumper.
- NOTE: Bumpers fitted with either OEM Tow flap or pre-cut hole DON'T require any additional bumper cut.**



Note:

1. Nose load limits and vehicle manufacturer's trailer / caravan weight limits must be observed.
2. Grade 12.9 Bolts 145Nm