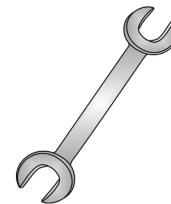




Tow-Trust Towbars

Important: Please read General Notes overleaf before fitting

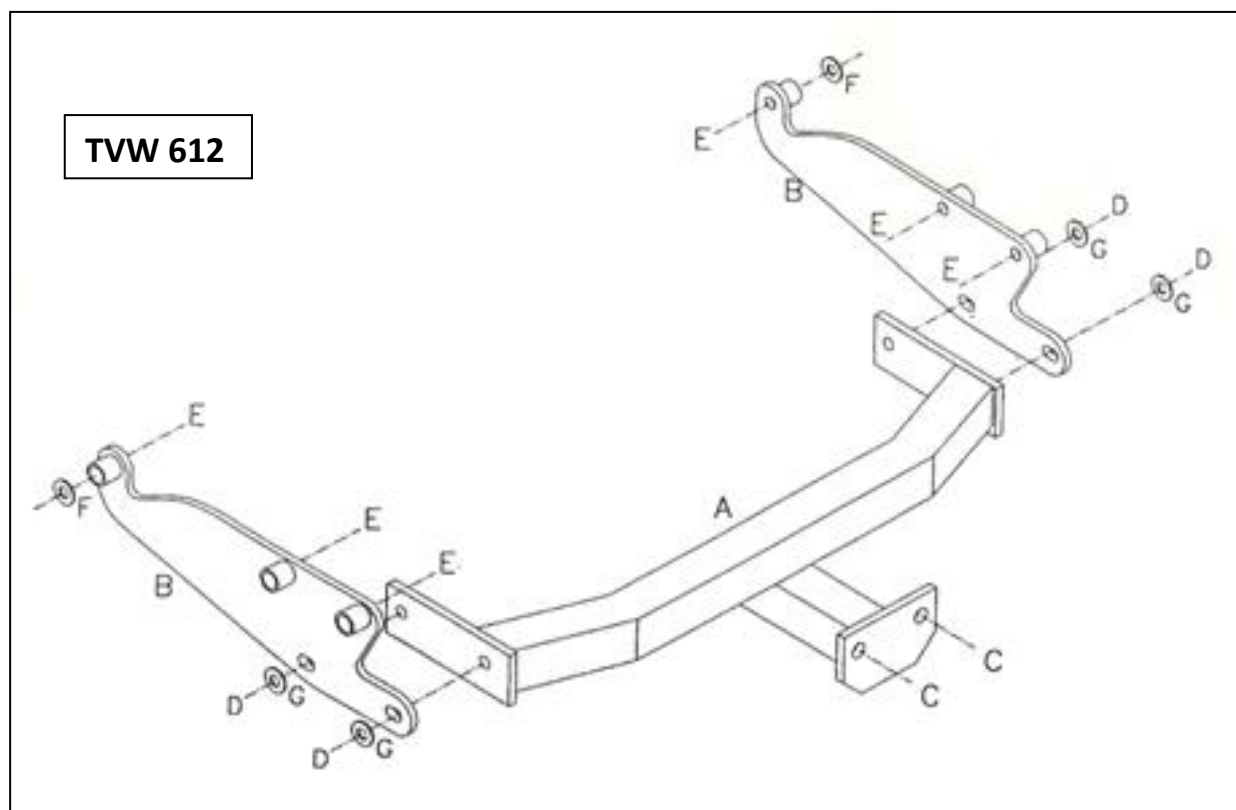


Issue 7

TVW612 Volkswagen T4 Transporter 1991 - 2003

Item	Qty	Description	Item	Qty	Description
A	1	Crossmember	C	2	M16 x 50 Bolts, Nuts & S/P Washers
B	2	Handed Side Arms	D	4	M12 x 40 Bolts, 2 Nuts & 4 S/P Washers
			E	6	M12 x 60 x 1.5 Bolts, 2 Nuts & 6 S/P Washers
			F	2	12 x 40 Flat Washers
			G	4	12 x 25 Flat Washers

1. Lower the spare wheel.
2. Remove the two bolts each side securing the bumper irons.
3. Using item E, loosely bolt item B into place. Use item F on the outer face on the forward holes.
4. Using item D with item G, bolt item A to each sidearm.
5. Using item C bolt the ball bracket and wiring plate (not supplied in this kit) to the mounting plate.
6. Fully tighten all nuts and bolts and ensure the towbar is rigid and secure.
7. Replace the spare wheel.



Note:

1. Recommended Torque Setting for M12 Grade 10.9 -139 Nm. (For other Torque Settings see notes overleaf.)
2. Nose load limits and vehicle manufacturer's trailer / caravan weight limits must be observed.