

TVW23 VOLKSWAGEN CADDY 2020>

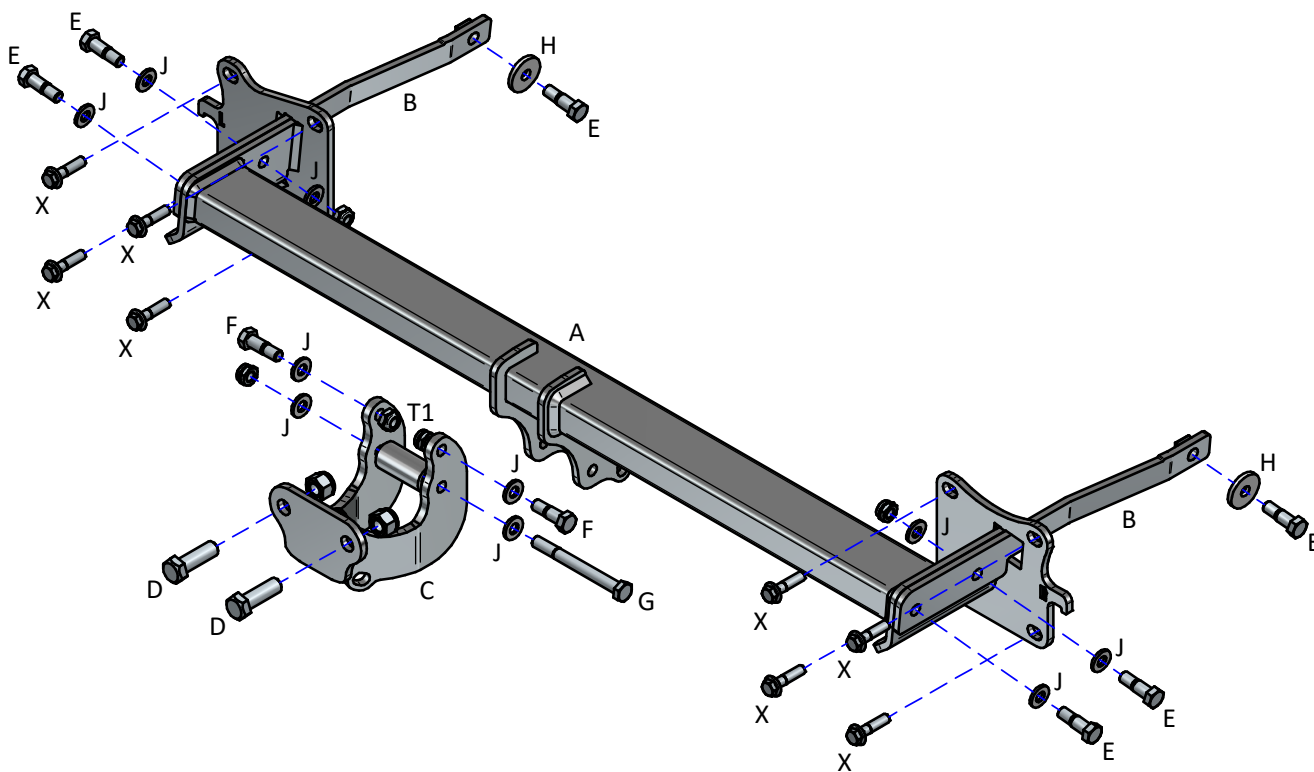
Item	Qty	Description	Item	Qty	Description
A	1	TVW23 Crossmember	D	2	M16 x 50 Bolts & Nyloc Nuts
B	2	Side Arms	E	6	M12 x 40 Bolts, 2 Nyloc Nuts & 4 S/P Washers
C	1	Extension	F	2	M12 x 40 Bolts & Nyloc Nuts
			G	1	M12 x 120 Bolt & Nyloc Nut
			H	2	12 x 40 Flat Washers
			J	10	12 x 25 Flat Washers
			X	8	M10 original Impact Beam Fixings (55Nm)
			T1	1	30mm O/D x 60mm Long Spacer Tube

BUMPER REMOVAL:

1. Remove the rear bumper, one fixing either side of the tailgate opening / door opening just under light cluster.
2. Remove four fixings from each wheel arch and ten from the bumper lower edge.
3. If fitted remove the rear under tray, ten fixings.
4. Release bumper from vehicle body then pull rearwards disconnecting any necessary wiring looms.
5. Remove the rear impact beam and retain fixings (Item X), Rear impact beam is not refitted with the Towbar assembly.

TOWBAR INSTALLATION:

1. Using Item X fix Item A to the rear panel.
2. Insert Items B through the Towbar end plates into each chassis member. Fix to the vehicle chassis using Items E with Items H.
3. Fix Items B to item A using Items E with Items J.
4. Fix Item C to Item A using Items F with Items J and Item G with Items J ensuring Item T1 is fitted between the lower mounting point.
5. Using Item D fix your desired ball bracket and wiring plate (not supplied in this kit) to Item C.
6. Fully tighten all fixings ensuring the Towbar is rigid, square and secure.
7. Refit the rear bumper and undertray.



Notes:

1. For Torque settings see general notes overleaf.
2. Nose load limits and vehicle manufacturer's trailer / caravan weight limits must be observed.