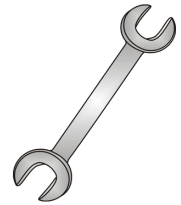




# Tow-Trust Towbars

Important: Please read General Notes overleaf before fitting



Issue 1

## TVV526VK VOLVO C30 2006>

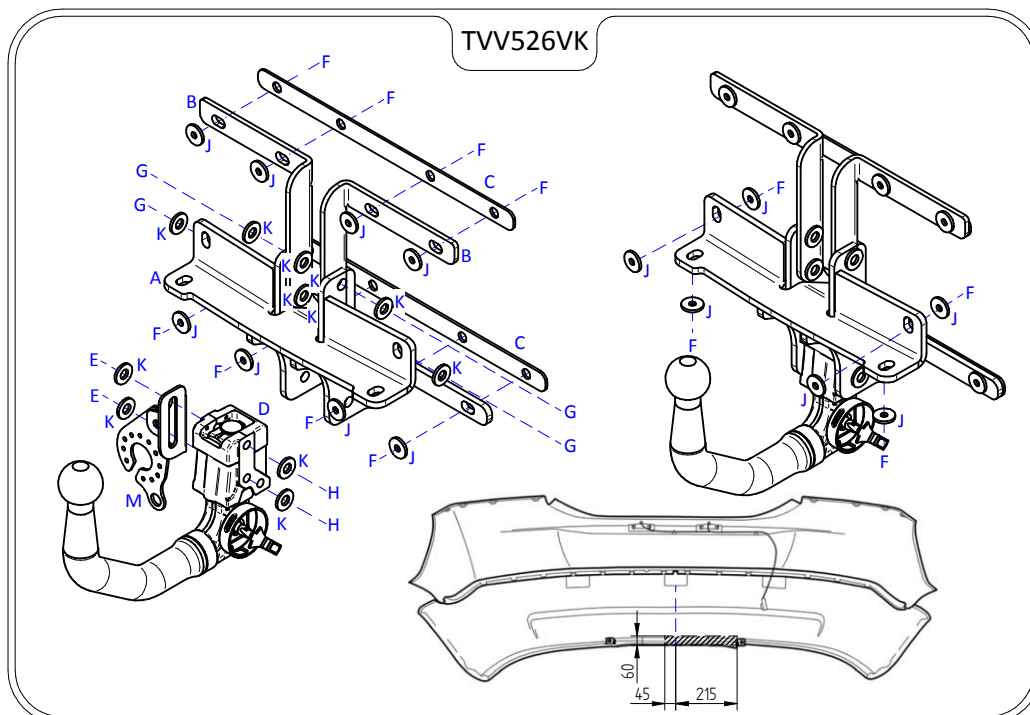
Item	Qty	Description	Item	Qty	Description
A	1	Main Body	E	2	M12 x 25 Bolts & S/P Washers
B	2	Handed Brackets	F	12	M10 x 35 Bolts, Nuts & S/P Washers
C	2	Clamp Plates	G	4	M12 x 40 Bolts, Nuts & S/P Washers
D	1	Detachable Housing	H	2	M12 x 22 Bolts & S/P Washers
			J	14	10 x 25 Flat Washers
			K	12	12 x 25 Flat Washers
			L	2	M8 x 30 Grade 10.9 & S/P Washers
			M	1	Flip Up Socket Plate TTFP/LH

### BUMPER REMOVAL:

1. Open the tailgate and remove the two bump stops via twisting and pulling, remove four wheel arch fixings, two fixings along the lower edge and carefully pull the bumper tips from vehicle then pull rearwards, disconnect any wiring looms.

### TOWBAR INSTALLATION:

1. Raise the boot floor carpet and support, remove the spare wheel and remove the rear plastic shut panel.
2. Locate the uppermost four holes in the rear panel and remove the rubber grommets, using the four holes in the rear panel as jigs drill the outer two straight through the rear panel and through the plastic spare wheel tray.
3. Using Item C as a jig inside the boot, line up the two outer holes with those just drilled and mark around the clamp plate then cut plastic tray so that the clamp plate will sit neatly on the steel rear panel. If you don't want to cut the inner tray you can remove by removing all the boot trim, remove the base of the rear seats and fold seat backs forward, this will allow the tray to be removed and refitted after the Towbar assembly has been fitted with no cutting.
4. Using Item F with Item J fix Items B to the upper rear panel mounting points fitting Item C inside the boot as a clamp plate.
5. Using Items G with Items K fix Item A to Items B.
6. Using Items F with Items J fix Item A to the lower rear panel mounting points fitting Item C on the forward face as a clamp plate.
7. Using Items F with Items J fix Item A to the rear impact beams mounting points.
8. Using Items H with Items K and Item E with Item K fix Item D and Item M to Item A.
9. Fully tighten all fixings to the correct torque setting ensuring Towbar is rigid square and secure. Always check the impact beams mounting points to the vehicle are tight, some vehicles will require Item L to be fitted in the innermost lower mounting points as this fixing is sometimes not fitted by VOLVO.
10. Cut the bumper as shown and refit. Some vehicles may be fitted with an under tray this will require a cut to allow the central design to pass through.



### Note:

1. Recommended Torque Setting for M12 Grade 10.9 -139 Nm. (For other Torque Settings see notes overleaf.)
2. Nose load limits and vehicle manufacturers trailer / caravan weight limits must be observed.