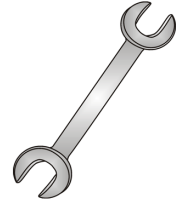




# Tow-Trust Towbars

Important: Please read General Notes overleaf before fitting

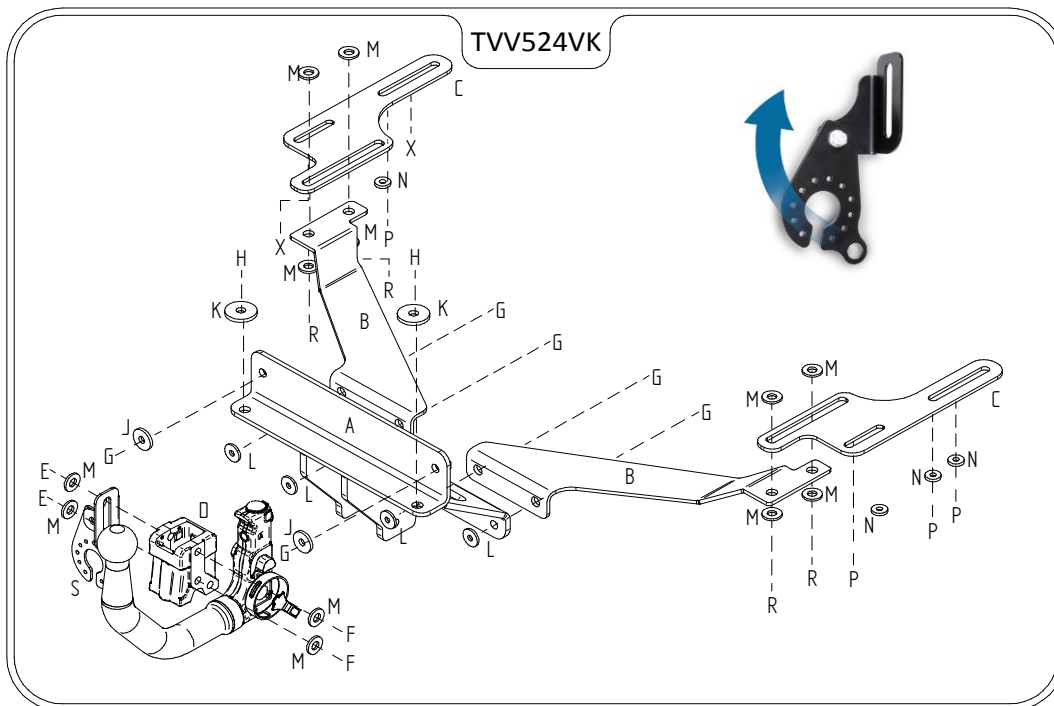


Issue 3

## TVV524VK Volvo S40 Saloon / V50 Estate 2004> / C70 2006>

Item	Qty	Description	Item	Qty	Description
A	1	Towbar	E	2	M12 x 25 Bolts & S/P Washers
B	2	Side Arms	F	2	M12 x 22 Bolts & S/P Washers
C	2	Chassis Straps	G	6	M10 x 30 Bolts, 4 Nuts & 6 S/P Washers
D	1	Detachable Housing	H	2	M12 x 35 Bolts, Nuts & S/P Washers
			J	2	10 x 30 Flat washers
			K	2	12 x 40 Flat Washers
			L	4	10 x 25 Flat washers
			M	12	12 x 25 Flat Washers
			N	6	8 x 25 H/D Flat Washers
			P	6	8 x 30 Bolts & S/P Washers
			R	4	M12 x 35 Bolts, Nuts & S/P Washers
			S	1	Flip Up Socket Plate (TTFP/LH)

1. Remove the rear bumper: Two fixings along the top edge, two fixings along the bottom edge and five tip fixings each side. Note: Pull bumper out at each side and then rearwards.
2. Using Item **G** with Item **J** loosely bolt Item **A** to the forward face of the bumper beam.
3. Using Item **H** with Item **K** loosely bolt Item **A** to the underside of the bumper beam.
4. Using Item **G** with Item **L** and Items **B** against the forward face of the rear panel loosely bolt Item **A** at these points
5. Using the existing exhaust hanger and heat shield bolts together with Item **P** and Item **N** bolt Item **C** to the underside of each chassis.
6. Using Item **R** with Item **M** bolt Item **B** to Item **C**.
7. Using Item **E** with Item **M** and Item **F** with Item **M** bolt Item **D** and Item **S** to Item **A**.
8. Fully tighten all nuts and bolts and ensure the Towbar is rigid, square and secure.
9. Refit rear bumper. (**NOTE: R-DESIGN** MAY REQUIRE A SMALL CUT CENTRALLY 90 WIDE x 35 DEEP **CHECK FIRST AS SOME MODELS DO NOT NEED CUTTING**) (**C70** CUT CENTRALLY 90 WIDE x 110 DEEP)



**Note:**

1. Recommended Torque Setting for M12 Grade 10.9 -139 Nm. (For other Torque Settings see notes overleaf.)
2. Nose load limits and vehicle manufacturers trailer / caravan weight limits must be observed.