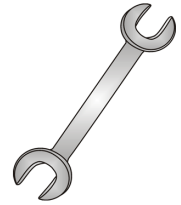




Tow-Trust Towbars

Important: Please read General Notes overleaf before fitting



Issue 1

TVOLV11 VOLVO XC90 2015>

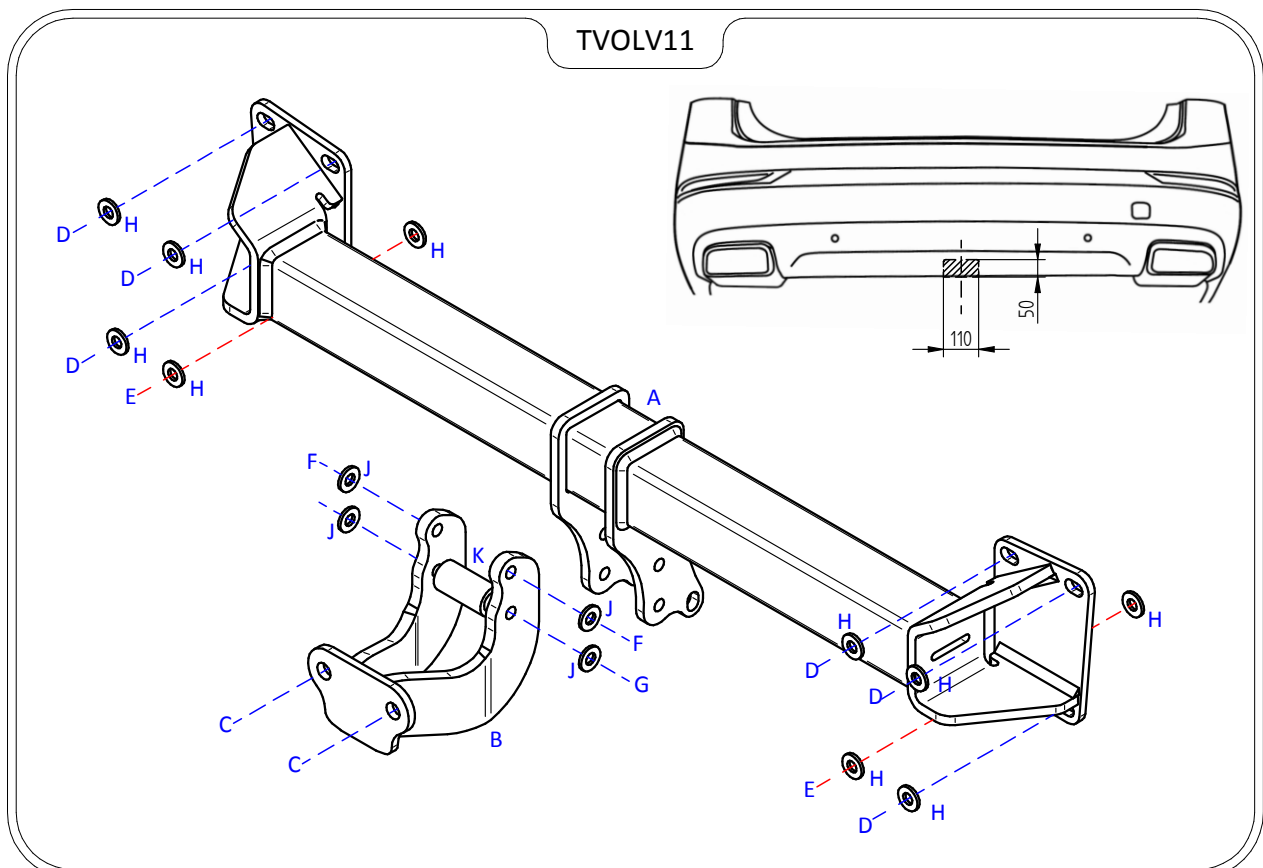
Item	Qty	Description	Item	Qty	Description
A	1	TVOLV11 Crossmember	C	2	M16 x 50 Bolts & Nyloc Nuts
B	1	Extension	D	6	M10 Nyloc Nuts
			E	2	M10 x 40 Bolts & Nyloc Nuts
			F	2	M12 x 40 Bolts & Nyloc Nuts
			G	1	M12 x 130 (10.9) Bolt & Nyloc Nut
			H	10	10 x 25 Flat Washers
			J	4	12 x 25 Flat Washers
			K	1	30 O/D Spacer Tube 60mm Long

BUMPER REMOVAL:

1. Remove five fixings from each wheel arch. (remove wheel arch trim / carefully pull away from vehicle)
2. Remove four fixings from the lower edge and two fixings from around the boot opening.
3. Carefully release the bumper from the vehicle body starting at the bumper tips.
4. Disconnect any necessary wiring looms.
5. Remove the rear impact beam. (this is NOT refitted with the Towbar assembly)

TOWBAR INSTALLATION:

1. Fix Item A to the rear panel using Items D with Item H and Item E with Item H.
2. Using Item F with Item J and Item G with Item J fix Item B to Item A ensuring Item K is fitted between the lower mounting point.
3. Using Item C fix your desired ball bracket and wiring plate (not supplied in this kit) to item B.
4. Fully tighten all fixings ensuring the Towbar is rigid, square and secure.
5. Cut the rear bumper as per the sketch below.
6. Refit the rear bumper.



Note:

1. Recommended Torque Setting for M12 Grade 10.9 -139 Nm. (For other Torque Settings see notes overleaf.)
2. Nose load limits and vehicle manufacturers trailer / caravan weight limits must be observed.