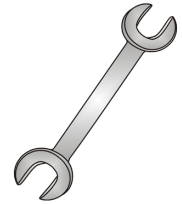




# Tow-Trust Towbars

Important: Please read General Notes overleaf before fitting



Issue 1

## TV5SN VAUXHALL ZAFIRA TOURER 2012>

Item	Qty	Description	Item	Qty	Description
A	1	Crossmember	D	1	VASP8 L/H Socket Plate
B	2	Side Arms	E	4	M10 x 30 Bolts & S/P Washers
C	1	ACS4 / 9204 Swan Neck	F	4	M12 x 35 Bolts, Nuts & S/P Washers
			G	2	M12 x 110 Grade 10.9 Bolts & Nyloc Nuts
			H	8	12 x 25 Flat Washers
			J	2	10 x 25 Flat Washers
			K	2	10 x 40 Flat Washers
			L	2	15mm Spacer Plates

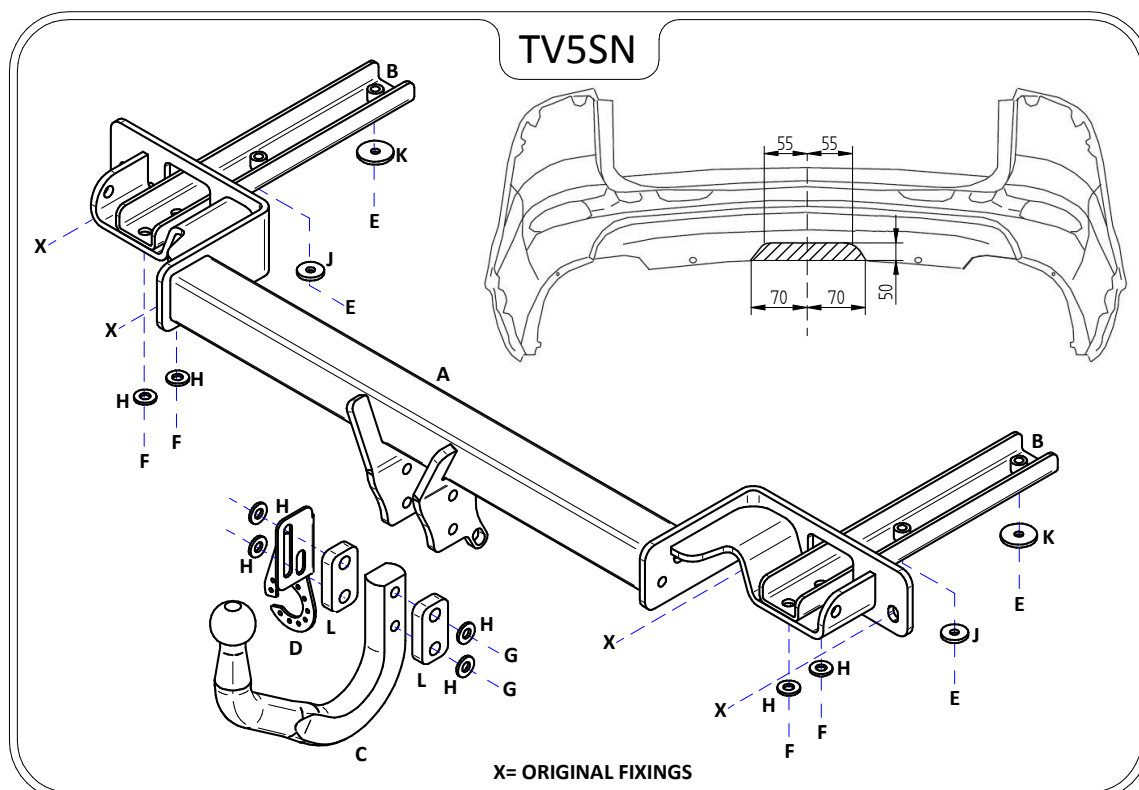
### BUMPER REMOVAL:

1. First remove both rear light clusters, two fixings on each side found just inboard of the light when boot lid is open. (Screws are covered with small caps), Pull clusters rearward to release.
2. Following the bumper edge down from the rear light cluster fixings you will find one more cap each side moulded in the bumper, remove caps and fixings found underneath.
3. Remove two fixing on the lower edge, and four fixings around each wheel arch, pull bumper rearward.
4. Once the bumper is off, remove six fixings on rear panel and discard the impact beam. (This is not refitted with Towbar assembly)

### TOWBAR INSTALLATION:

1. Insert Items **B** into each chassis member and loosely fix in place using Items **E** and **K** on the forward most and Items **E** and **J** on the rearmost mounting points.
2. Using the original M10 Fixings (Marked **X** on image) fix Item **A** to the rear panel.
3. Using Items **F** and **H** fix Item **A** to Items **B**.
4. Using Items **G** and **H** and Item **L** fix Item **C** and Item **D** to Item **A**.
5. Fully tighten all nuts and bolts ensuring Towbar is rigid square and secure. (We at Tow-Trust advise you fit you're wiring into the vehicle before the bumper gets refitted).
6. Cut the rear bumper as shown in image below and refit.

**NOTE: For vehicles fitted with add blue tank below O/S chassis member you will need to safely drain and lower the tank to gain access to mounting points. An additional internal chassis bracket will also need to be removed and discarded.**



### Note:

1. Recommended Torque Setting for M12 Grade 10.9 -139 Nm. (For other Torque Settings see notes overleaf.)
2. Nose load limits and vehicle manufacturers trailer / caravan weight limits must be observed.