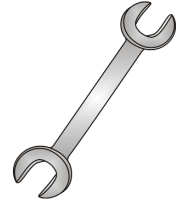




# Tow-Trust Towbars

Important: Please read General Notes overleaf before fitting



Issue 1

## TV4SN VAUXHALL MERIVA 2010>

Item	Qty	Description	Item	Qty	Description
A	1	Crossmember	D	10	M10 x 40 Bolts & S/P Washers
B	1	ACS7 / 9207 Swan Neck	E	2	M10 Plain Nuts
C	2	Handed Side Arms	F	2	M12 x 110 Grade 10.9 Bolts & Nyloc Nuts
			G	2	15mm Spacer Plates
			H	6	M10 x 35 Bolts, Nuts & S/P Washer
			J	2	10 x 40 Flat washers
			K	2	10 x 30 Flat Washers
			L	8	10 x 25 Flat Washers
			M	4	12 x 25 Flat Washers
			N	1	VASP8 L/H Socket Plate

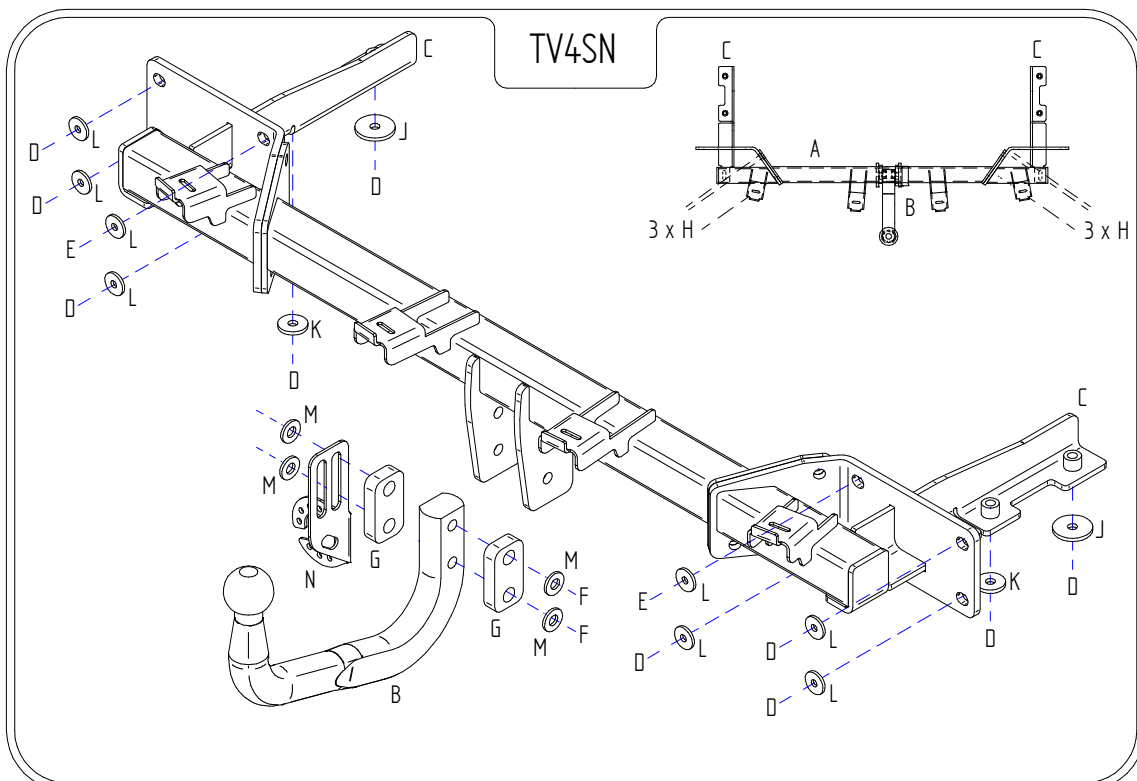
**IMPORTANT:** IT IS ADVISABLE TO USE A SEALANT ON MATING FACES, AND AROUND ANY MOUNTING POINTS ON REAR PANEL TO PREVENT ANY WATER DAMAGE TO CHASSIS OR BOOT.

### BUMPER REMOVAL:

Remove the rear light clusters (two fixings found inside boot behind side opening trims), remove three fixings in each wheel arch, carefully unclip the bumper from around light cluster area and pull bumper rearwards.

### TOWBAR INSTALLATION:

1. Remove the plastic support from the aluminium rear crash beam. **(Plastic support is refitted to Towbar).**
2. Remove the aluminium rear crash beam. **(This is not refitted with Towbar assembly).**
3. Using Item D with Item J and Item D with Item K loosely bolt Items C into each correct chassis through the vertical Towbar mounting points. (Drill holes out to 14mm if required).
4. Using Item D with Item L and Item E with Item L bolt items C to the rear panel Towbar mounting points.
5. Insert Item A from below up in between the side arms (Item C) and bolt in place using Item H.
6. Using Item F with Item M and Item G bolt Item B and Item N to Item A.
7. Fully tighten all nuts and bolts ensuring Towbar is rigid, square and secure.
8. Place plastic support onto its new mounts located across the Towbar and refit the rear bumper.



### Note:

1. Recommended Torque Setting for M12 Grade 10.9 -139 Nm. (For other Torque Settings see notes overleaf.)
2. Nose load limits and vehicle manufacturers trailer / caravan weight limits must be observed.