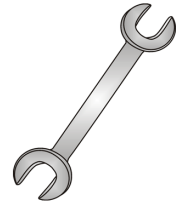




# Tow-Trust Towbars

Important: Please read General Notes overleaf before fitting

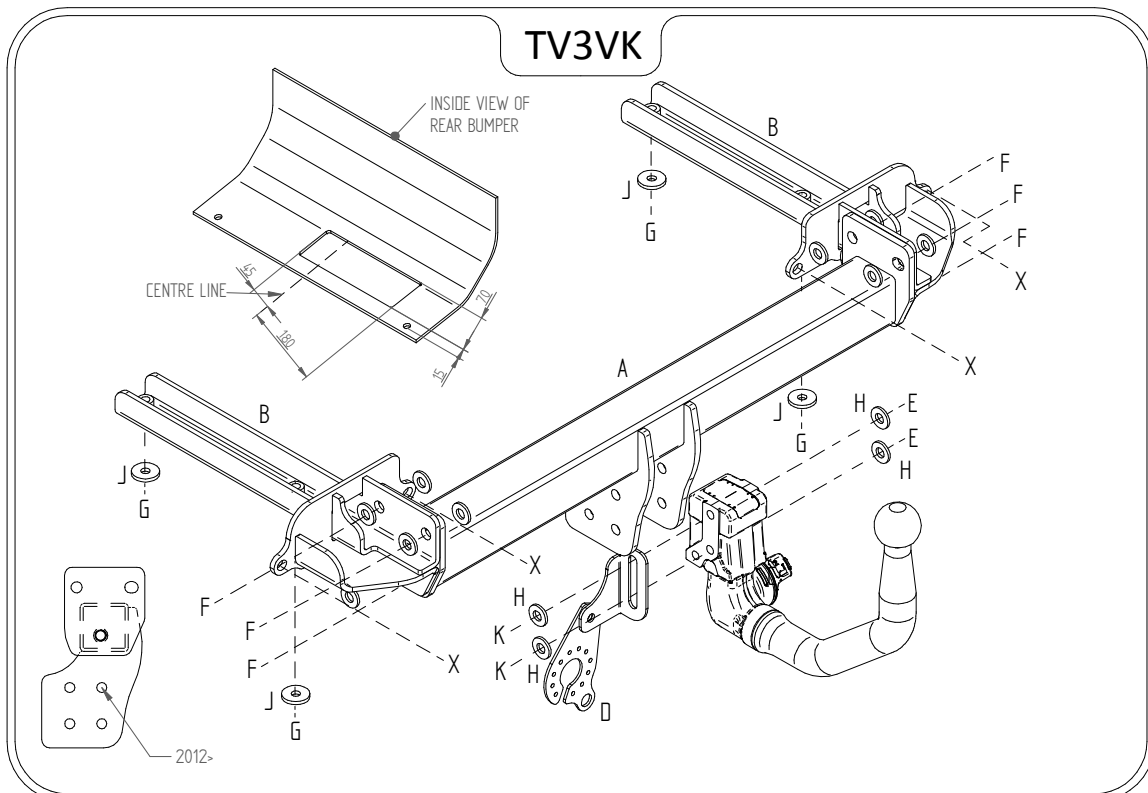


Issue 6

## TV3VK VAUXHALL ASTRA HATCH 5 DOOR 2009>

Item	Qty	Description	Item	Qty	Description
A	1	Crossmember	D	1	Flip Up Socket Plate
B	2	Handed Side Arms	E	2	M12 x 22 Bolts & S/P Washers
C	1	Detachable Housing	F	6	M12 x 40 Bolts, 4 Nuts & 6 S/P Washers
			G	4	M10 x 35 Bolts & S/P Washers
			H	14	12 x 25 Flat Washers
			J	4	10 x 30 Flat Washers
			K	2	M12 x 25 Bolts & S/P Washers
			X	4	Original Nuts

1. Remove the rear bumper, two fixings along the lower edge and four fixings around wheel arches, pull bumper tips outwards then rearwards to release. (Some models have two fixings behind number plate).
2. Remove bumper beam (this is not refitted with Towbar assembly).
3. Locate the two vertical mounting points in each chassis member and drill out to 16mm.
4. Insert items **B** into each correct chassis and loosely fix in place with Items **G** and Items **J** through the vertical mounting points on the lower face of each chassis.
5. Using original nuts fix Items **B** to the lower studs on rear panel.
6. Using items **F** bolt item **A** between items **B**.
7. Using items **E** with item **H** and item **K** with item **H** bolt item **C** and Item **D** to item **A**.
8. Fully tighten all nuts and bolts ensuring Towbar is rigid and secure.
9. Cut bumper as shown refit the rear bumper.



**Note:**

1. Recommended Torque Setting for M12 Grade 10.9 -139 Nm. (For other Torque Settings see notes overleaf.)
2. Nose load limits and vehicle manufacturers trailer / caravan weight limits must be observed.